

# Minimiser FF 30-80

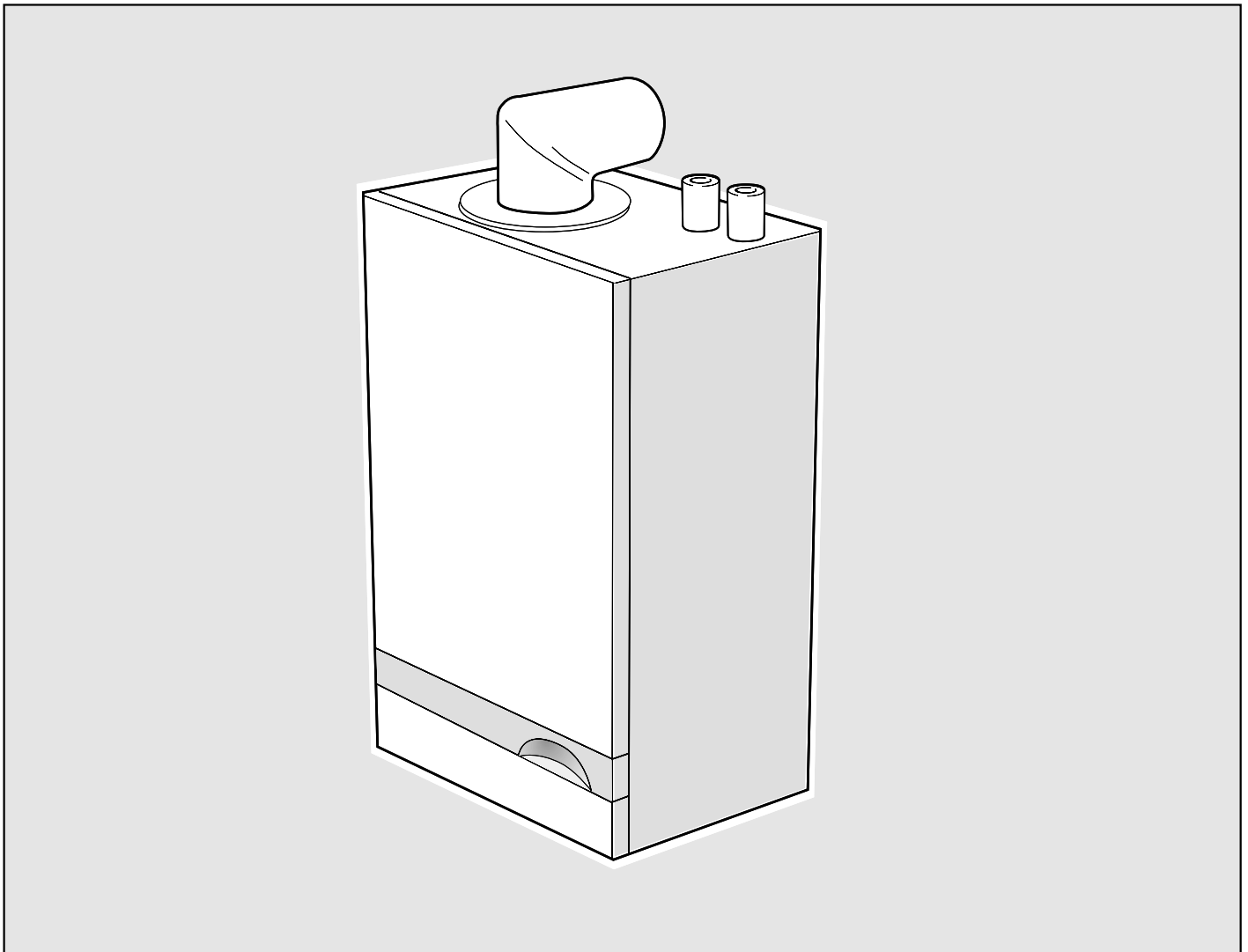
## Installation & Servicing

Wall Mounted, Fanned, Super Efficient Gas Boilers

### Natural Gas Models Only

Minimiser	G.C. Appliance No.	Minimiser	G.C. Appliance No.
FF 30.....	41 387 16	FF 60.....	41 387 19
FF 40.....	41 387 17	FF 70.....	41 387 20
FF 50.....	41 387 18	FF 80.....	41 387 21

**CAUTION.** To avoid the possibility of injury during the installation, servicing or cleaning of this appliance care should be taken when handling edges of sheet steel components.



**NOTE TO THE INSTALLER:** LEAVE THESE INSTRUCTIONS ADJACENT TO THE GAS METER

**i** Ideal BOILERS

## CONTENTS

Air Supply .....	6
Boiler Clearances .....	4
Boiler Exploded Diagram .....	11
Electrical Connections .....	21
Electrical Supply .....	6
Electrical Systems Diagrams .....	23
Extension Ducts - Fitting .....	20
Fault Finding .....	42
Flow Wiring Diagram .....	22
Flue Fitting	
Rear outlet .....	14
Side outlet .....	17
Flue Installation .....	5
Gas Safety (Installation & Use) Regulations, 1994 .....	2
Gas Supply .....	5
Health & Safety Document No 635 .....	3
Installation .....	12
Mandatory Requirements .....	4
Pump .....	7
Servicing .....	29
Short List of Parts .....	47
System Diagrams .....	7
Terminal Guards .....	5
Water Connections .....	4
Water and Systems .....	6
Wiring Diagrams .....	22

## INTRODUCTION

**Minimiser FF 30-80** are fully automatically controlled, wall mounted, low water content, balanced flue, fanned super efficient condensing gas boilers. They are spot-rated to provide central heating outputs of 8.8 kW (30,000 Btu/h) to 23.4 kW (80,000 Btu/h).

Due to the high efficiency of the boiler a plume of water vapour will form at the flue terminal during operation.

The boiler casing is of white painted mild steel with a drop-down control pod door. The controls pod, also of white painted mild steel, has fixed sides and a removable bottom panel.

The boiler thermostat is located behind the controls pod door.

The heat exchanger is of aluminium.

**Note.** *These boilers cannot be used on systems which include gravity circulation.*

The boilers are suitable for connection to fully pumped, open vented or sealed water systems. Adequate arrangements for completely draining the system by provision of drain cocks **MUST** be provided in the installation pipework.

## OPTIONAL EXTRA KITS

**Programmer Kit** Fits neatly within the casing, is available. Separate fitting instructions are included with this kit.


**Roof Flue Kit** For vertical flue connection.

**Powered Vertical Flue (K Pack)** For extended vertical flue connection.

**Extension Ducts** Up to 3.1m (122") are available.

**Wall Mounting Stand-off Kit** Enables the boiler to be mounted with the Front flush with 300mm deep kitchen units.

## GAS SAFETY (INSTALLATION AND USE) REGULATIONS, 1994

It is law that **all** gas appliances are installed and serviced by a CORGI registered installer (identified by ) in accordance with the above regulations. Failure to install appliances correctly could lead to prosecution. It is in your own interest, and that of safety, to ensure the law is complied with.

The installation of the boiler **MUST** also be in accordance with the latest I.E.E Wiring Regulations, local building regulations, bye-laws of the local water authority, the building regulations and the Building Standards (Scotland) and any relevant requirements of the local authority.

Detailed recommendations are contained in the following British Standard Codes of Practice:

BS. 6891	Low pressure installation pipes.
BS. 6798	Installation of gas fired hot water boilers of rated input not exceeding 60 kW.
BS. 5449	Forced circulation hot water systems.
BS. 5546	Installation of gas hot water supplies for domestic purposes (2nd Family Gases)
BS. 5440:1	Flues (for gas appliances of rated input not exceeding 60 kW)
BS. 5440:2	Ventilation (for gas appliances of rated input not exceeding 60 kW)

**Table 1 - General Data**

Boiler Size		FF 30	FF 40	FF 50	FF 60	FF 70	FF 80
Gas supply connection	(in. BSP)	Rc 1/2 (1/2" BSP Female)					
Flow connection		22mm copper (FEMALE) (via adaptors supplied)			28mm copper (MALE)		
Return connection		22mm copper (FEMALE) (via adaptors supplied)			28mm copper (MALE)		
Maximum static water head	m (ft.)	30.5 (100)					
Minimum static water head	m (ft.)	0.45 (1.5)					
Electrical supply		230 V ~ 50 Hz					
Boiler power consumption		50W					
Fuse rating		External: 3A Internal: F2A to BS 4265					
Water content	litre (gal.)	1.65 (0.36)			1.95 (0.43)		
Dry Weight	kg (lb.)	26.0 (57.3)			27.0 (59.5)		
Boiler size	Height	mm (in.) 600 (23.6)					
	Width	mm (in.) 390 (15.0)					
	Depth	mm (in.) 270 (10.6)					
Flue duct diameter	mm (in.)	100 (4.0)					

**Table 2 - Performance Data**

Boiler Size		FF 30	FF 40	FF 50	FF 60	FF 70	FF 80	
Boiler input	Nett	kW	9.2	12.3	15.3	18.4	21.5	24.6
	CV	Btu/h	31,400	42,000	52,200	62,800	73,400	84,000
Boiler input	Gross	kW	10.2	13.6	17.0	20.4	23.9	27.3
	CV	Btu/h	34,900	46,500	58,100	69,800	81,400	93,000
Boiler output	Gas consumption	l/s (cu.ft/h)	0.26 (33.6)	0.35 (44.9)	0.44 (56.1)	0.53 (67.3)	0.62 (78.6)	0.70 (89.8)
	70° C Mean water temperature	kW	8.8	11.7	14.7	17.6	20.5	23.4
		Btu/h	30,000	40,000	50,000	60,000	70,000	80,000
40° C Mean water temperature	kW	9.4	12.5	15.7	18.8	21.9	25.1	
	Btu/h	32,100	42,800	53,500	64,200	74,900	85,600	
Burner Setting pressure (HOT)	mbar	10.7	10.0	8.6	10.5	5.3	8.8	
	in.w.g.	4.3	4.0	3.5	4.2	2.1	3.5	

**Notes.**

To obtain the gas consumption:-

- a. For l/s divide the gross heat input (kW) by C.V. of the gas (MJ/m<sup>3</sup>)
- b. For ft<sup>3</sup>/h divide the gross heat input (Btu/h) by C.V. of the gas (Btu/ft<sup>3</sup>)

**HEALTH & SAFETY DOCUMENT NO 635**

**The Electricity at Work Regulations, 1989.**

The manufacturer's notes must NOT be taken, in any way, as overriding statutory obligations.

**IMPORTANT.** These appliances are CE certificated for safety and performance. It is, therefore, important that no external control devices, e.g. flue dampers, economisers etc., are directly connected to these appliances unless covered by these Installation and Servicing Instructions or as otherwise recommended by **Caradon Ideal Limited** in writing. If in doubt please enquire.

Any direct connection of a control device not approved by **Caradon Ideal Ltd.** could invalidate the certification and the normal appliance warranty. It could also infringe the Gas Safety Regulations and the above regulations.

# GENERAL

## 1 BOILER WATER CONNECTIONS

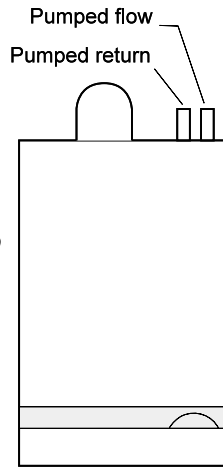
The boiler flow and return pipes are supplied fitted to the boiler ready for top connection but can be removed and adapted for bottom connection, if required, either before or after the boiler is hung on the wall - refer to Frame 43.

### Notes.

a. For the 70 and 80 boilers, 28mm (1") flow and return pipes should be used to and from the boiler.

For the 30 to 60 boilers, 22mm (3/4") pipes may be used to connect the boiler, using the 28mm x 22mm adaptors supplied in the hardware pack.

b. **This appliance is NOT suitable for use with a direct hot water cylinder.**



## LOCATION OF BOILER

The boiler must be installed on a flat and vertical wall, capable of adequately supporting the weight of the boiler and any ancillary equipment.

The boiler may be fitted on a combustible wall and insulation between the wall and the boiler is not necessary, unless required by the local authority.

**The boiler must not be fitted outside.**

### Timber Framed Buildings

If the boiler is to be fitted in a timber framed building it should be fitted in accordance with the British Gas publication 'Guide for Gas Installations in Timber Frame Housing', reference DM2.

## 2 BOILER CLEARANCES all dimensions in mm (in.)

The following minimum clearances must be maintained for operation and servicing.

Additional space will be required for installation, depending upon site conditions.

### Side and Rear Flue

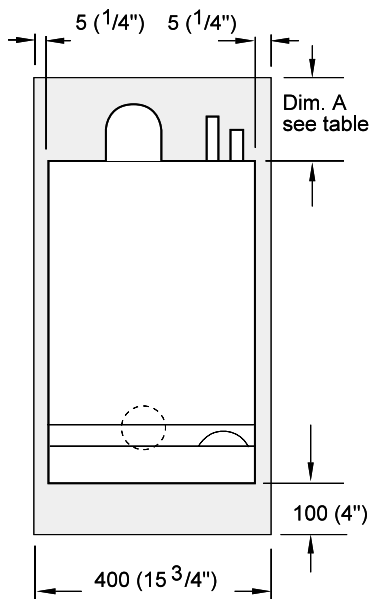
a Provided that the flue hole is cut accurately, e.g. with a core drill, the flue can be installed from inside the building where wall thicknesses do not exceed 600mm (24"). Where the space into which the boiler is going to be installed is less than the length of flue required the flue must be fitted from the outside.

### Installation from inside ONLY

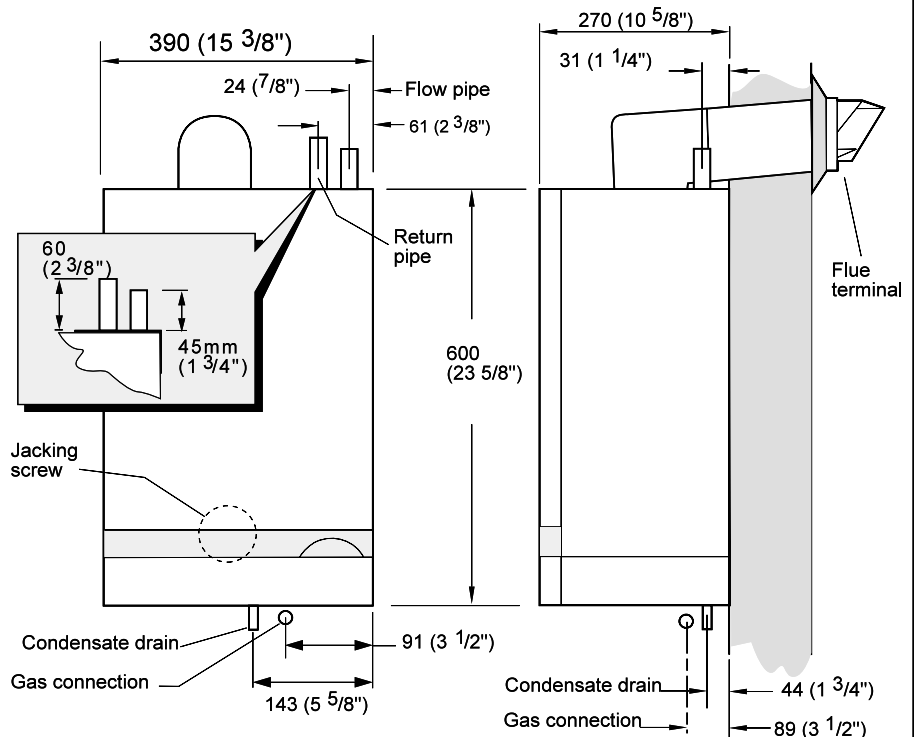
b If a core boring tool is to be used inside the building the space in which the boiler is to be installed must be at least wide enough to accommodate the tool.

**REAR FLUE ONLY**  
MIN. Top clearance required = 145 mm (5 3/4")

SIDE FLUE ONLY	
Horizontal length of flue from centre line of boiler to outside wall	Top clearance required (MIN.) Dimm. A
0.5 m	160 mm (6 5/16")
1.0 m	180 mm (7 7/8")
1.5 m	205 mm (8 1/16")
2.0 m	225 mm (8 7/8")
2.5 m	250 mm (9 3/4")
3.0 m	270 mm (10 5/8")



Front clearance: 450mm (17 3/4") from the front of the boiler casing. The minimum front clearance when built in to a cupboard is 5mm (1/4")



Front view

Side view

**Bathroom Installations**

The boiler may be installed in any room or internal space, although particular attention is drawn to the requirements of the current I.E.E. (BS7671) Wiring Regulations and, in Scotland, the electrical provisions of the building regulations applicable in Scotland with respect to the installation of the boiler in a room or internal space containing a bath or shower.

Where a room sealed appliance is installed in a room containing a bath or shower then the appliance and any electrical switch or appliance control utilising mains electricity should be so situated that it cannot be touched by a person using the bath or shower.

Where installation will be in an unusual location, special procedures may be necessary and BS 6798 gives detailed guidance on this aspect.

**Compartment Installations**

A compartment used to enclose the boiler should be designed and constructed specially for this purpose. An existing cupboard or compartment may be used, provided that it is modified for the purpose.

In both cases details of essential features of cupboard / compartment design, including airing cupboard installation, are to conform to the following:

- BS. 6798.
- The position selected for installation MUST allow adequate space for servicing in front of the boiler. Ventilation of the compartment is not necessary.
- For the minimum clearances required for safety and subsequent service, see the wall mounting template and Frame 2. In addition, sufficient space may be required to allow lifting access to the wall mounting plate.

**GAS SUPPLY**

The local gas supplier should be consulted, at the installation planning stage, in order to establish the availability of an adequate supply of gas. An existing service pipe must NOT be used without prior consultation with the local gas supplier.

A gas meter can only be connected by the local gas supplier or by a registered CORGI engineer.

An existing meter should be checked, preferably by the gas supplier, to ensure that the meter is adequate to deal with the rate of gas supply required. A minimum working gas pressure of 20 mbar MUST be available at the boiler inlet.

Installation pipes MUST be fitted in accordance with BS. 6891. Pipework from the meter to the boiler MUST be of an adequate size, i.e. not less than 15mm O.D. **Note.** For pipe runs greater than 3m (10'), 22mm O.D. pipe is recommended.

Do not use pipes of smaller size than the boiler inlet gas connection.

The complete installation MUST be tested for gas soundness and purged as described in the above code.

**FLUE INSTALLATION**

Plumbing will occur at the termination so, where possible, terminal positions which could cause this nuisance should be avoided.

The flue must be installed in accordance with the recommendations of BS. 5440: Part 1.

The following notes are intended for general guidance.

1. The boiler MUST be installed so that the terminal is exposed to external air.
2. It is important that the position of the terminal allows the free passage of air across it at all times.
3. Minimum acceptable spacing from the terminal to obstructions and ventilation openings are specified in Table 3.

**Note positions 2-6 :** Due to the terminal design, installation is possible with clearances less than those specified in BS 5440, Part 1.

**Table 3 - Balanced flue terminal position**

Terminal Position	Minimum Spacing
1. Directly below or alongside an openable window, air vent or other ventilation opening	300 mm (12")
2. Below guttering, drain pipes or soil pipes	25 mm (1")
3. Below eaves	25 mm (1")
4. Below balconies or a car port roof	25 mm (1")
5. From vertical drain pipes or soil pipes	25 mm (1")
6. From internal or external corners	25 mm (1")
7. Above adjacent ground, roof or balcony level	300 mm (12")
8. From a surface facing the terminal	600 mm (24")
9. From a terminal facing a terminal	1200 mm (48")
10. From an opening in a car port (e.g. door or window) into dwelling	1200 mm (48")
11. Vertically from a terminal on the same wall	1500 mm (60")
12. Horizontally from a terminal on the wall	300 mm (12")

4. Where the lowest part of the terminal is fitted less than 2m (6'6") above a balcony, above ground or above a flat roof to which people have access, then the terminal MUST be protected by a purpose designed guard. The minimum spacing in Table 3, Nos. 2, 3, 4, 5 and 6 would be 75mm, in order to allow a terminal guard to be fitted.

Terminals guards are available from boiler suppliers - ask for Tower Flue Guard, Model K1 . In case of difficulty seek advice from:

Tower Flue Components Ltd.,  
Vale Rise, Tonbridge, Kent TN9 1TB  
Telephone No. 01732 351 555.

Ensure that the guard is fitted centrally.

5. Where the terminal is fitted within 850mm (34") of a plastic or painted gutter or 450mm (18") of painted eaves then an aluminium shield at least 750mm (30") long should be fitted to the underside of the gutter or painted surface.
6. The air inlet/products outlet duct and the terminal of the boiler MUST NOT be closer than 25mm (1") to combustible material. Detailed recommendations on the protection of combustible material are given in BS. 5440: 1990.
7. Where it is essential that the terminal wall plate is fitted, i.e. wall thicknesses over 610mm (24") or with an inaccurately cut hole, the minimum spacing in Table 3, Nos. 2, 3, 4, 5 and 6 would be 60mm (2.4") in order to allow the terminal wall plate to be fitted.

## GENERAL

**IMPORTANT.** It is absolutely ESSENTIAL to ensure, in practice, that products of combustion discharging from the terminal cannot re-enter the building or any other adjacent building through ventilators, windows, doors, other sources of natural air infiltration, or forced ventilation / air conditioning.

If this should occur the appliance MUST be turned OFF, labelled as 'unsafe' and corrective action taken.

## TERMINAL

The terminal assembly can be adapted to accommodate various wall thicknesses. Refer to Frame 11 - Unpacking.

## AIR SUPPLY

It is NOT necessary to have a purpose-provided air vent in the room or internal space in which the boiler is installed. Neither is it necessary to ventilate a cupboard or compartment in which the boiler is installed, due to the low surface temperatures of the boiler casing during operation; therefore the requirements of BS 6798, Clause 12, and BS 5440:2 may be disregarded.

## WATER CIRCULATION SYSTEM

The boiler must NOT be used for direct hot water supply. For the types of system and correct piping procedure see Frames 1 and 3 to 8.

The central heating system should be in accordance with BS. 6798 and, in addition, for smallbore and microbore systems, BS. 5449.

### WATER TREATMENT - see Frame 9

The hot water storage cylinder MUST be of the indirect type and should preferably be manufactured of copper.

Single feed, indirect cylinders are not recommended and MUST NOT be used on sealed systems.

The appliances are NOT suitable for gravity central heating nor are they suitable for the provision of gravity domestic hot water.

The hot water cylinder and ancillary pipework, not forming part of the useful heating surface, should be lagged to prevent heat loss and any possible freezing - particularly where pipes run through roof spaces and ventilated underfloor spaces.

The boiler must be vented.

Draining taps MUST be located in accessible positions, which permit the draining of the whole system - including the boiler and hot water storage vessel. They should be at least 1/2" BSP nominal size and be in accordance with BS. 2879.

The boiler is fitted with a special drain plug which is provided to drain the BOILER ONLY in the event of the system drain plug being unable to do so.

The hydraulic resistance of the boilers, at MAXIMUM OUTPUT, with an 11°C (20 °F) temperature differential, are shown in Table 4.

**Table 4 - Water flow rate and pressure loss**

Boiler size		FF30	FF40	FF50	FF60	FF70	FF80
Boiler Output	kW	8.8	11.7	14.7	17.6	20.5	23.4
	Btu/h	30,000	40,000	50,000	60,000	70,000	80,000
Water Flow Rate	l/sec	0.19	0.25	0.32	0.38	0.44	0.51
	gpm	2.5	3.3	4.2	5.0	5.8	6.7
Pressure Loss	kPa	4.2	6.7	10.0	13.7	11.2	13.7
	m	0.4	0.7	1.0	1.4	1.2	1.4
	ft	1.4	2.3	3.3	4.6	3.8	4.6

## THERMOSTATIC RADIATOR VALVES (TRV)

**Caradon Ideal Ltd.** recommend that heating systems utilising full thermostatic radiator valve control of temperature in individual rooms should also be fitted with a room thermostat controlling the temperature in a space served by radiators not fitted with such a valve as stated in BS. 5449.

When thermostatic radiator valves are used, the space heating temperature control over a living area having a heating requirement of at least 60% of the boiler heat output should be achieved using a room thermostat whilst other rooms are individually controlled by thermostatic radiator valves. A higher proportion of TRVs may be used, provided that a bypass between the boiler flow and return is fitted, to ensure adequate flow when all TRVs are closed - however this is NOT recommended as a large proportion of TRV's can restrict water circulation and inhibit the condensing mode of condensing boilers, reducing fuel economy.

For further information refer to the 'Good Practice Guide 143', publication of the Energy Efficiency Office, available from the Building Research Establishment, Garston, Watford WD2 7JR. Tel: 01923 664 258

## ELECTRICAL SUPPLY

Wiring external to the appliance MUST be in accordance with the current I.E.E. (BS7671) Wiring Regulations and any local regulations which apply.

The point of connection to the mains should be readily accessible and adjacent to the boiler, except for bathroom installations where the point of connection to the mains MUST be situated outside of the bathroom.

**Note.** Where a room sealed appliance is installed in a room containing a bath or shower then the appliance and any electrical switch or appliance control utilising mains electricity should be so situated that it cannot be touched by a person using the bath or shower. See Frame 34 for details.

### 3 OPEN VENT SYSTEM REQUIREMENTS

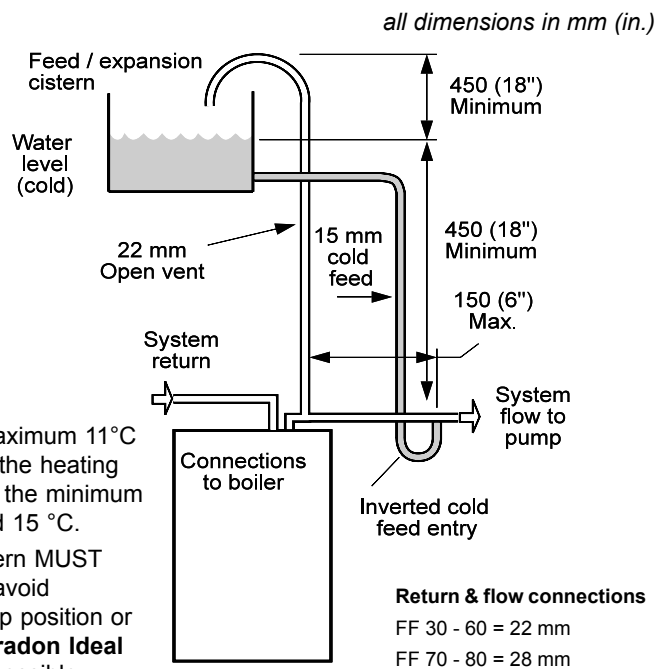
The system should be vented directly off the boiler flow pipe, as close to the boiler as possible. The cold feed entry should be inverted and **MUST** be positioned between the pump and the vent, and not more than 150mm (6") away from the vent connection.

**Note.** Combined feed and vent pipes may also be fitted.

There should be a minimum height, 450mm (18"), of open vent above the cistern water level. If this is not possible refer to Frame 5. The vertical distance between the highest point of the system and the feed/expansion cistern water level **MUST** not be less than 450 mm (18"). The pump must be fitted on the flow side of the boiler.

A suitable pump is a domestic circulator capable of providing a maximum 11°C (20°F) temperature differential across the boiler with the whole of the heating circuit open (e.g. Grundfos UPS 15/50, 15/60 or equivalent). With the minimum flow circuit allowed by the controls the differential must not exceed 15 °C.

The vertical distance between the pump and feed/expansion cistern **MUST** comply with the pump manufacturer's minimum requirements, to avoid cavitation. Should these conditions not apply either lower the pump position or raise the cistern above the minimum requirement specified by **Caradon Ideal Ltd.** The isolation valves should be fitted as close to the pump as possible.

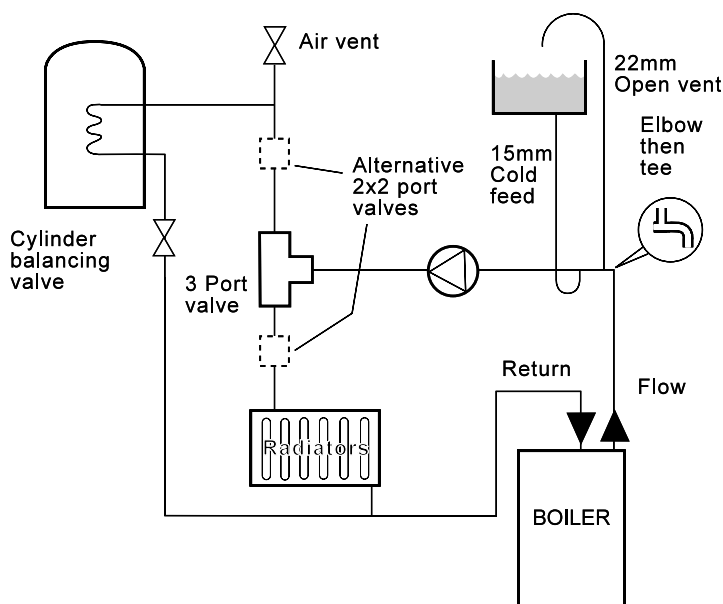


### 4 SCHEMATIC PIPEWORK AND SYSTEM BALANCING

The boiler does not normally need a bypass but at least some radiators on the heating circuit, of load at least 60% of the boiler output, must be provided with twin lockshield valves so that this minimum heating load is always available (see footnote re. thermostatic radiator valves).

#### Balancing

1. Set the programmer to ON for both CH and HW. Turn the cylinder thermostat down. Close the manual or thermostatic valves on all radiators, leaving the twin lockshield valves (on the radiators referred to above) in the open position. Turn up the room thermostat and adjust these lockshield valves to give boiler flow and return temperatures not more than 15°C apart. These valves should now be left as set.
2. Open all manual or thermostatic radiator valves and adjust the lockshield valves on remaining radiators to give around 11°C temperature drop at each radiator.
3. Turn up the cylinder thermostat and adjust the cylinder balancing valve so that the cylinder achieves a maximum flow consistent with adequate flow to the radiators. Check that with only the domestic hot water loop in circuit a differential temperature of 15 °C across the boiler is not exceeded.
4. Adjust room and cylinder thermostats and programmer to NORMAL settings.



#### Thermostatic Radiator Valves

**Caradon Ideal Ltd.** support the recommendations made in BS. 5449, and by leading manufacturers of domestic heating controls, that heating systems utilising the thermostatic radiator valve control of temperature in individual rooms shall also be fitted with a room thermostat, controlling the temperature in a space served by radiators not fitted with such a valve.

Such an arrangement will provide for potentially more efficient control of the environment and will also avoid the continuous running of the circulation pump during programmed heating ON periods - thus saving electrical energy.

It is, therefore, strongly recommended that, when thermostatic radiator valves are used, space heating temperature control over a living/dining area or a hallway having a heating requirement of at least 60% of the boiler heat output, is achieved using a room thermostat whilst other rooms are individually controlled by thermostatic radiator valves.

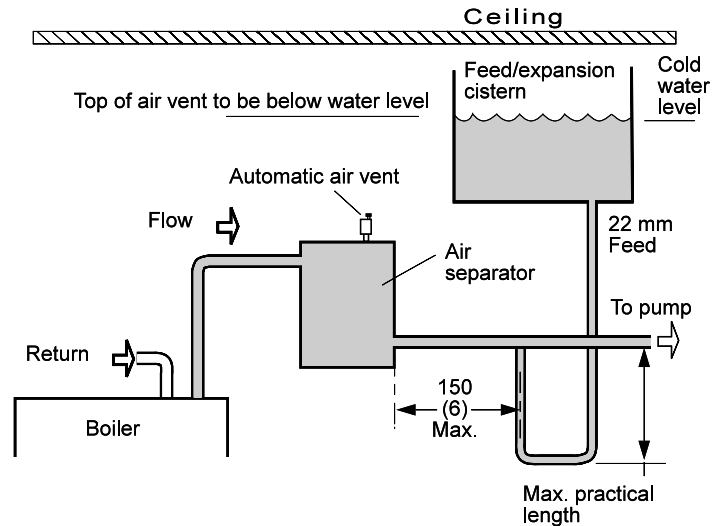
## GENERAL

### 5 LOW HEAD AND LARGE SYSTEMS WITH EXTENSIVE PIPE RUNS - OPEN VENT

This arrangement is useful for large systems where radiators at the extremities are difficult to vent. This can lead to pumping over with conventional feed and vent arrangements.

The following conditions MUST be observed:

1. The top of the automatic air vent must be below the cold water level.
2. The static water level (cold) must be at least 200mm above the top of the horizontal flow pipe, fitted as shown. The vent connection MUST NOT be made immediately off the top of the boiler as venting is made less efficient.
3. The maximum practical length of 22mm cold feed pipe should be used in order to reduce the effective volume of hot system water expanding into the feed/expansion cistern to a minimum.



All dimensions in mm (in.).

NB. Imperial dimensions are approximate

**Note.** The pump manufacturers' minimum requirements must be complied with.

### 6 SEALED SYSTEM REQUIREMENTS

**Note.** The method of filling, refilling, topping up or flushing sealed primary hot water circuit from the mains via a temporary hose connection is only allowed if acceptable to the local water authority.

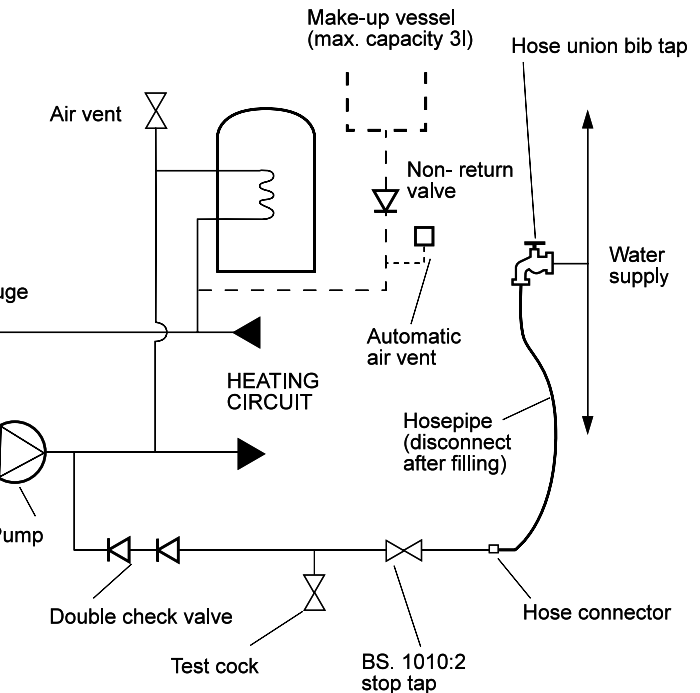
#### 1. General

- a. The installation must comply with the requirements of BS. 6798 and BS. 5449.
- b. The installation should be designed to work with flow temperatures of up to 82° C.
- c. All components of the system, including the heat exchanger of the indirect cylinder, must be suitable for a working pressure of 3 bar (45lb/in<sup>2</sup>) and temperature of 110°C. Care should be taken in making all connections so that the risk of leakage is minimised.

#### 2. Safety Valve

A spring loaded safety valve complying with the relevant requirements of BS. 6759 must be fitted in the flow pipe as close to the boiler as possible and with no intervening valve or restriction. The valve should have the following features:

- a. A non-adjustable preset lift pressure not exceeding 3bar (45lb/in<sup>2</sup>).



- b. A manual testing device.
- c. Provision for connection of a discharge pipe. The valve or discharge pipe should be positioned so that the discharge of water or steam cannot create a hazard to the occupants of the premises or cause damage to electrical components and wiring.

#### 3. Pressure Gauge

A pressure gauge covering at least the range 0-4 bar (0-60 lb/in<sup>2</sup>) must be fitted to the system. The gauge should be easily seen from the filling point and should preferably be connected at the same point as the expansion vessel.



## 7 SEALED SYSTEM REQUIREMENTS - *continued*

### 4. Expansion Vessel

- a. A diaphragm type expansion vessel must be connected to a point close to the inlet side of the pump, the connecting pipe being not less than 15 mm (1/2" nominal) size and not incorporating valves of any sort.
- b. The vessel capacity must be adequate to accept the expansion of the system water when heated to 110° C (230° F).
- c. The charge pressure must not be less than the static water head above the vessel. The pressure attained in the system when heated to 110° C (230° F) should be at least 0.35 bar (5 lb/in<sup>2</sup>) less than the lift pressure of the safety valve.  
For guidance on vessel sizing refer to the table in Frame 8.

For further details refer to BS. 5449, BS. 7074:1 and the British Gas Corporation publication 'Material and Installation Specifications for Domestic Central Heating and Hot Water'.

### 5. Cylinder

The cylinder must be either of the indirect coil type or a direct cylinder fitted with an immersion calorifier which is suitable for operating on a gauge pressure of 0.35 bar (5 lb/in<sup>2</sup>) in excess of the safety valve setting. Single feed indirect cylinders are not suitable for sealed systems.

### 6. Make-up Water

Provision must be made for replacing water loss from the system, either:

- a. From a manually filled make-up vessel with a readily visible water level. The vessel should be mounted at least 150 mm (6") above the highest point of the system, and be connected through a non-return valve to the system, fitted at least 300 mm (12") below the make-up vessel on the return side of the domestic hot water cylinder or radiators.  
or
- b. Where access to a make-up vessel would be difficult by pre-pressurisation of the system. Refer to 'Filling', below.

### 7. Mains Connection

There must be no direct connection to the mains water supply or to the water storage tank supplying domestic water, even through a non-return valve, without the approval of the local water authority.

### 8. Filling

The system may be filled by one of the following methods:

- a. Through a cistern, used for no other purposes, via a ball valve permanently connected directly to a service pipe and/or a cold water distributing pipe.

The static head available from the cistern should be adequate to provide the desired initial system design pressure. The cold feed pipe from the cistern should include a non-return valve and a stop valve with an automatic air vent connected between them, the stop valve being located between the system and the automatic air vent. The stop valve may remain open during normal operation of the system if automatic water make-up is required.

- b. Through a self-contained unit comprising a cistern, pressure booster pump (if required) and, if necessary, an automatic pressure reducing valve and flow restrictor. The cistern should be supplied through a temporary connection from a service pipe or cold water distributing pipe.  
This unit may remain permanently connected to the heating system to provide limited automatic water make-up. Where the temporary connection is supplied from a service pipe or distributing pipe which also supplies other draw-off points at a lower level than a double check valve shall be installed upstream of the draw-off point.
- c. Through a temporary hose connection from a draw-off tap supplied from a service pipe under mains pressure. Where the mains pressure is excessive a pressure reducing valve shall be used to facilitate filling.

The following fittings shall form a permanent part of the system and shall be fitted in the order stated:

A stop valve complying with the requirements of BS. 1010, Part 2 (the hose from the draw-off tap shall be connected to this fitting).

A test cock.

A double check valve of an approved type.

- Thoroughly flush out the whole of the system with cold water, without the pump in position.
- With the pump fitted, fill and vent the system until the pressure gauge registers 1.5 bar (21.5lb/in<sup>2</sup>). Examine for leaks.
- Check the operation of the safety valve by manually raising the water pressure until the valve lifts. This should occur within  $\pm 0.3$  bar ( $\pm 4.3$ lb/in<sup>2</sup>) of the pre-set lift pressure.
- Release water from the system until the initial system design pressure is reached.
- Light the boiler and heat the system to the maximum working temperature. Examine for leaks.
- Turn off the boiler and drain the system while still hot.
- Refill and vent the system.
- Adjust the initial pressure to the required value.

**Sizing procedure for expansion vessels:** The volume of the expansion vessel (litres) fitted to a sealed system shall not be less than that given by the table on the following page, multiplied by a factor of 0.8 (for flow temperatures of less than 83° C).

## GENERAL

<b>8 SEALED SYSTEM REQUIREMENTS - continued</b>									
Safety valve setting		3.0 bar			2.5 bar			2.0 bar	
Vessel charge and initial system pressure		0.5 bar	1.0 bar	1.5 bar	0.5 bar	1.0 bar	1.5 bar	0.5 bar	1.0 bar
<b>Total water content of system</b>		<b>Expansion vessel volume litres</b>							
<b>25</b>	<b>litres</b>	2.1	2.7	3.9	2.3	3.3	5.9	2.8	5.0
<b>50</b>		4.2	5.4	7.8	4.7	6.7	11.8	5.6	10.0
<b>75</b>		6.3	8.2	11.7	7.0	10.0	17.7	8.4	15.0
<b>100</b>		8.3	10.9	15.6	9.4	13.4	23.7	11.3	20.0
<b>125</b>		10.4	13.6	19.5	11.7	16.7	29.6	14.1	25.0
<b>150</b>		12.5	16.3	23.4	14.1	20.1	35.5	16.9	30.0
<b>175</b>		14.6	19.1	27.3	16.4	23.4	41.4	19.7	35.0
<b>200</b>		16.7	21.8	31.2	18.8	26.8	47.4	22.6	40.0
<b>225</b>		18.7	24.5	35.1	21.1	30.1	53.3	25.4	45.0
<b>250</b>		20.8	27.2	39.0	23.5	33.5	59.2	28.2	50.0
<b>275</b>		22.9	30.0	42.9	25.8	36.8	65.1	31.0	55.0
<b>300</b>		25.0	32.7	46.8	28.2	40.2	71.1	33.9	60.0
<b>Multiplying factors for other system volumes</b>		0.0833	0.109	0.156	0.094	0.134	0.237	0.113	0.20

## 9 WATER TREATMENT

### The Minimiser boiler has an ALUMINIUM alloy heat exchanger

If water treatment is used **Caradon Ideal** recommend only the use of FERNOX-COPAL or SENTINEL X100 water treatment products, which must be used in accordance with the manufacturers' instructions. For further information contact:-

Fernox Manufacturing Co. Ltd.

Sentinel Division

Britannica Works

Grace Dearborn Ltd.

Clavering

Widnes

Essex

Cheshire

CB11 4QZ

WA8 8UD

01799 550811

0151 424 5351

### IMPORTANT.

**The application of any other treatment to this product will render the guarantee of Caradon Ideal invalid.**

### Notes.

1. It is most important that the correct concentration of the water treatment product is maintained in accordance with the manufacturers' instructions.
2. If the boiler is installed in an existing system any unsuitable additives **MUST** be removed by thorough cleansing. BS. 7593:1992 details the steps necessary to clean a domestic central heating system.
3. In hard water areas, treatment to prevent lime scale may be necessary - however, the use of artificially softened water is **NOT** permitted.
4. Under no circumstances should the boiler be fired before the system has been thoroughly flushed.

**CONDENSATE DRAIN - Refer to Frame 44**

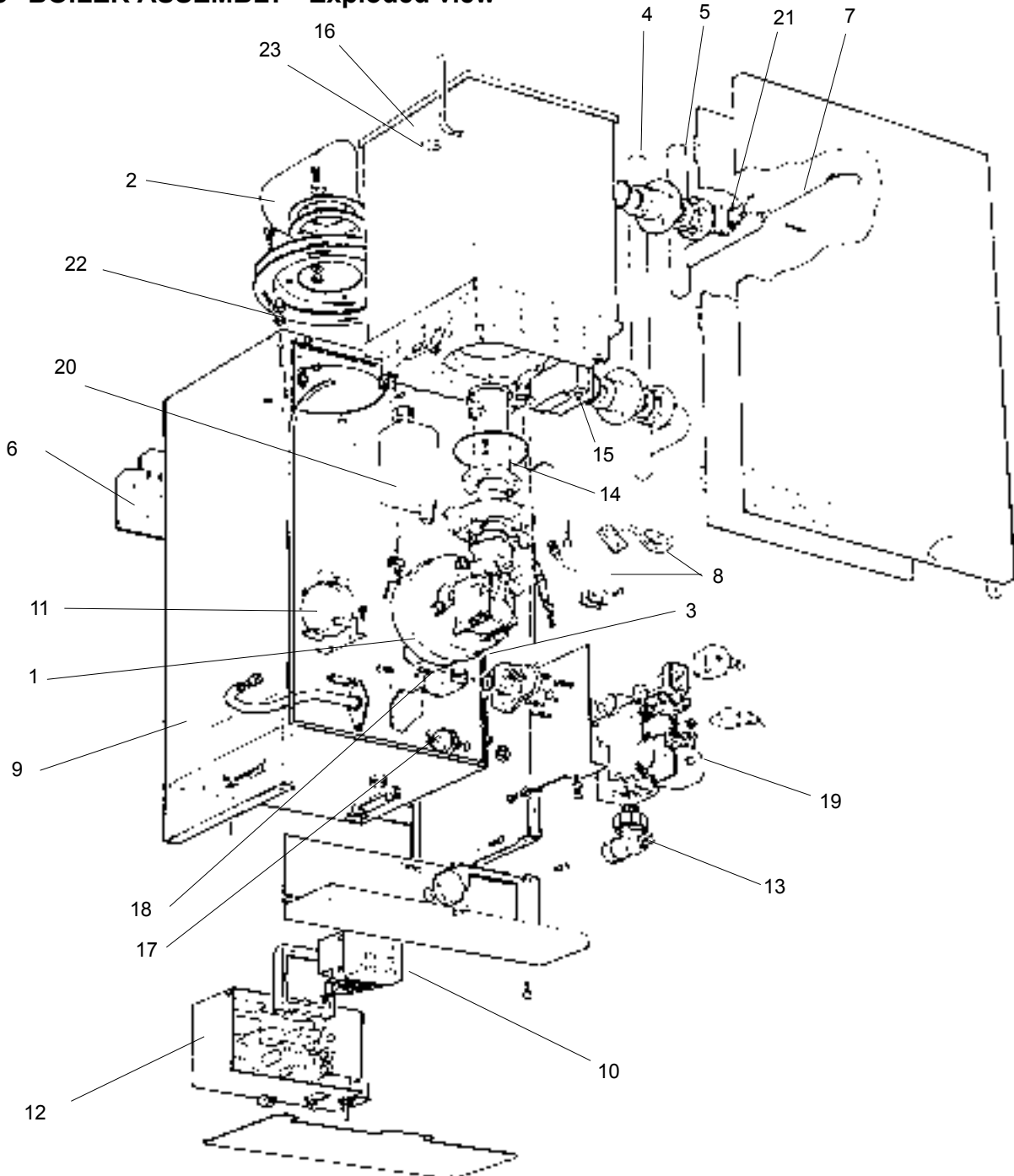
A condensate drain is provided on the boiler. This drain must be connected to a drainage point on site. All pipework and fittings in the condensate drainage system **MUST** be made of plastic - no other materials may be used.

**Important.**

Any external runs must be insulated

**The drain outlet on the boiler is standard 3/4" (22 mm) overflow pipe.**

**10 BOILER ASSEMBLY - Exploded view**



**LEGEND**

- |                        |                           |                         |                             |
|------------------------|---------------------------|-------------------------|-----------------------------|
| 1. Fan assembly        | 7. Control thermostat     | 13. Gas service cock    | 19. Gas valve               |
| 2. Flue outlet elbow   | 8. Pressure sensing pipes | 14. Main burner         | 20. Condensate siphon       |
| 3. Inter-panel         | 9. Back panel             | 15. Boiler drain point  | 21. Overheat thermostat     |
| 4. Return pipe         | 10. Programmer (optional) | 16. Heat exchanger      | 22. Flue gas sampling point |
| 5. Flow pipe           | 11. Pressure switch       | 17. Dry fire thermostat | 23. Flue thermostat         |
| 6. Wall mounting plate | 12. Control box           | 18. Spark generator     |                             |

# INSTALLATION

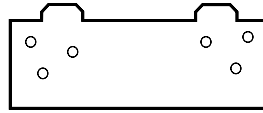
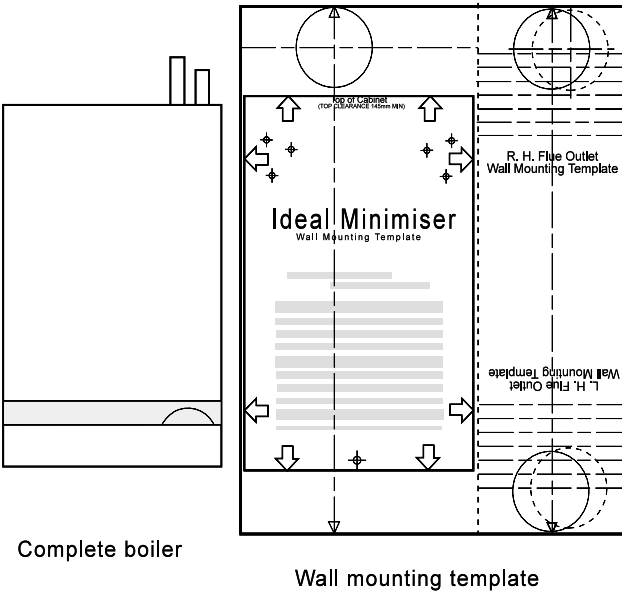
INSTALLATION

## 11 UNPACKING

The boiler is supplied fully assembled in one Pack A, together with a standard flue assembly for lengths up to 406mm, rear or side flue outlet, in Pack B.

Optional extras, if ordered. (Programmer Kit, Roof Flue Kit, Extension Duct Kit D and Wall Mounting Stand-off Kit) are available in separate boxes.

Unpack and check the contents.



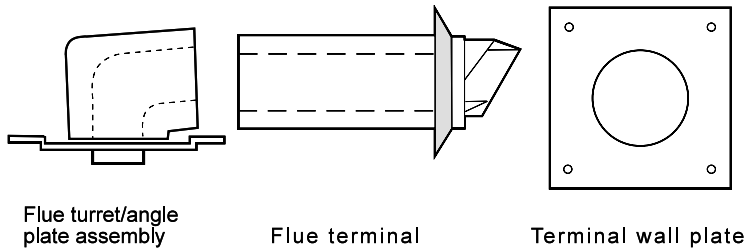
Wall mounting plate

### Hardware Pack

- 50mm x No.10 wood screws - 3 off
- Wall plugs (TP2B) - 3 off
- Water treatment warning label
- Flue connector tube
- Condensate drain adaptor
- 22mm x 28mm flow and return pipe connectors (FF30 to FF60 boilers ONLY)

### Pack B Contents

- No. 8 x 8mm self tapping screws - 2 off.
- Flue support cutting aid - 1 off.
- Tube of sealant - 1 off.
- No.10 x 2" screws - 4 off.
- Rawlplugs - 4 off.
- M5 x 10 pozi-pan head screw - 4 off.
- M5 Form C washers - 4 off

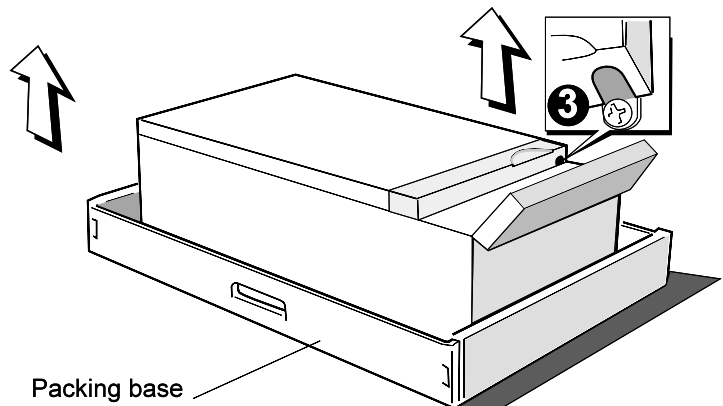


## 12 PACKAGING AND PANEL REMOVAL

1. Unpack the boiler.

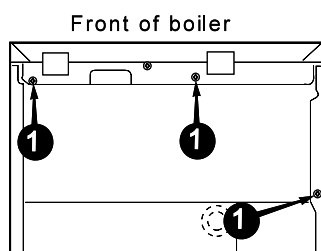
**Note.** The hardware pack and wall mounting plate are within the cardboard infill pieces.

2. Swing open the controls pod door.
3. Remove the single screw retaining the casing front panel.
4. Lift the front panel upward and forward and place to one side to avoid damage.
5. Close the controls pod door.
6. Remove the boiler from its packaging base.

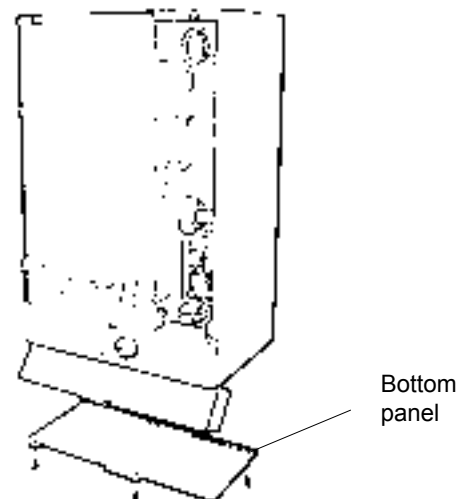


### 13 BOTTOM PANEL REMOVAL

1. Undo the three retaining screws.
2. Push the panel backward then to the right to withdraw it from the boiler.
3. Unpack the boiler flue kit (and extension packs, if used).



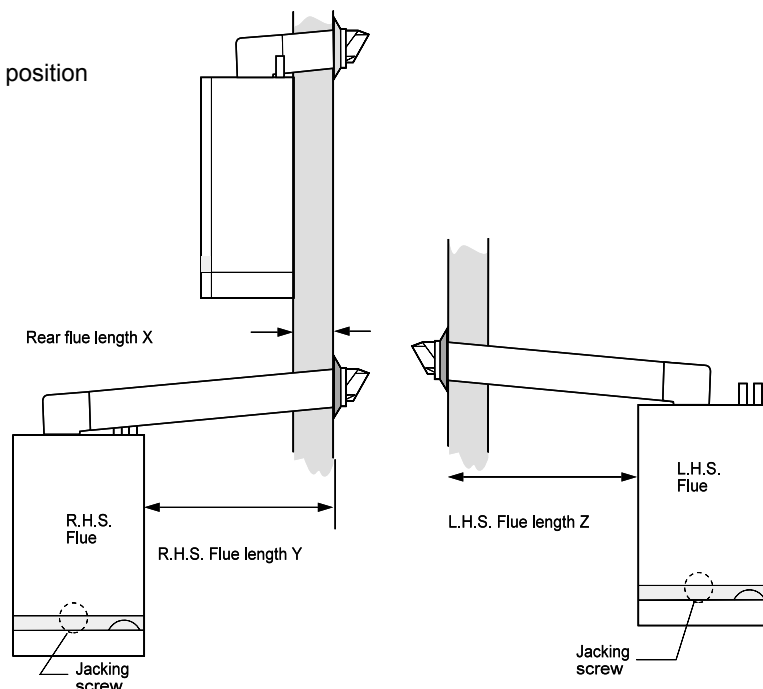
View of underside of boiler



### 14 DETERMINING THE FLUE LENGTH AND FLUE PACKS REQUIRED

**IMPORTANT.** The boiler MUST be installed in a vertical position

- Dimension X - Wall thickness
- Dimension Y - Wall thickness plus boiler spacing (RHS)
- Dimension Z - Wall thickness plus boiler spacing (LHS)



Flue length dimension			Flue packs required
Rear flue dimn. X	Right hand side flue dimn. Y	Left hand side flue dimn. Z	
114 - 732 mm (4 1/2 - 28 3/4")	114 - 614 mm (4 1/2 - 24 1/8")	114 - 698 mm (4 1/2 - 27 1/2")	Pack B, cut down as in Frames 18 & 26
732 - 1931 mm (28 3/4 - 76")	614 - 1813 mm (24 1/8 - 71 3/8")	698 - 1897 mm (27 1/2 - 74 3/4")	Pack B (1 off) and Pack D (1 off)
1931 - 3130 mm (76 - 123 1/4")	1813 - 3012 mm (71 3/8 - 118 5/8")	1897 - 3096 mm (74 3/4 - 121 7/8")	Pack B (1 off) and Pack D (2 off)

#### FLUE KITS

**Pack B** - supplied as standard

**Pack D** - optional extension kit for side flue or rear flue outlet.  
Refer to 'Flue Extension Ducts'

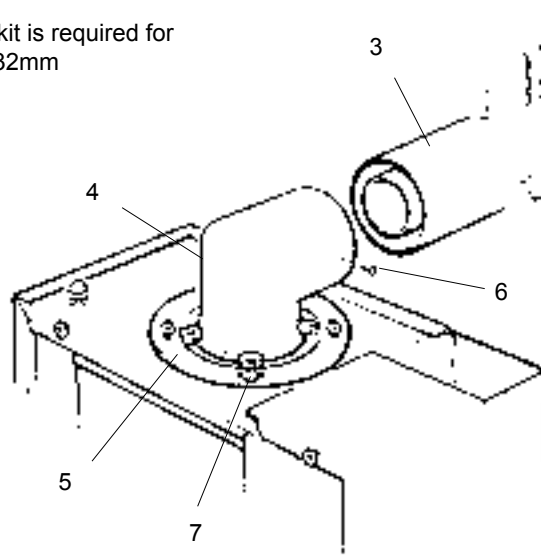
#### Notes.

1. The flue duct MUST be inclined at 2.5° to the horizontal to allow condensate to drain back into the boiler and out through the condensate drain.
2. If the front of the boiler is to be flush with the front of 300mm deep kitchen units then the optional stand-off bracket kit should be used. Care must be taken when cutting the ducts and marking the wall to suit this condition.

# INSTALLATION

## 15 FLUE ASSEMBLY - Exploded View

1. An optional flue duct extension kit is required for wall thicknesses greater than 732mm (28 3/4"). Refer to Frame 14.
2. When cutting the ducts always use the cardboard support cutting aid provided.



### LEGEND

1. Terminal.
2. Weather seal.
3. Duct assembly.
4. Flue Turret
5. Angle plate
6. No. 8 x 8 fixing screw
7. M5 x 10 pozi screws (4)

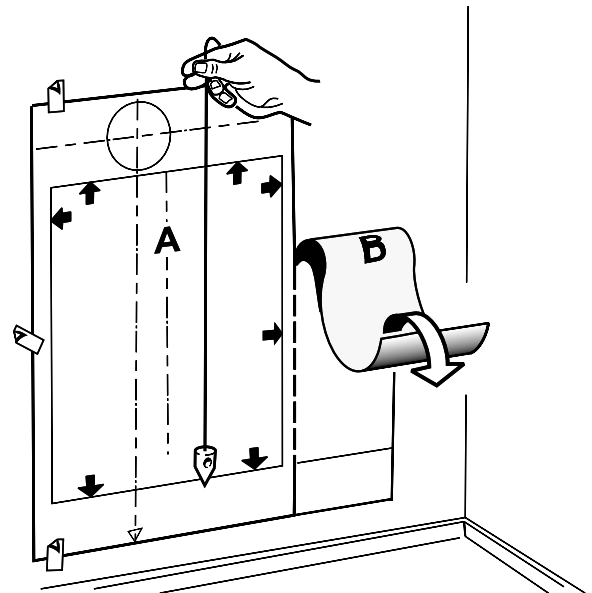
## 16 WALL MOUNTING TEMPLATE

**Note.** The template shows the positions for the fixing holes and the flue hole centres for standard installation. Care must be taken to ensure the correct holes are drilled.

1. Separate the templates and discard template B.
2. Tape template into the selected position.
3. Ensure squareness by hanging a plumbline as shown.
4. Mark onto the wall the following:
  - a The plate screw positions (choose one from each group) and lower fixing screw position.
  - b The position of the flue duct hole.

**Note.** Mark the centre of the hole as well as the circumference

5. Remove the template from the wall.



## 17 PREPARING THE WALL

**IMPORTANT.** Ensure that, during the cutting operation, masonry falling outside of the building does not cause damage or personal injury.

1. Cut the flue hole (preferably with a 5" core boring tool), ensuring that the hole is square to the wall. Both wall faces immediately around the cut hole should be flat.
2. Drill 3 holes with a 7mm (1/4") masonry drill and insert the plastic plugs provided, for the wall mounting plate and the jacking screw plate.
3. Locate two No.10 x 2" screws in the wall mounting plate (one at each side, in any of the 3 holes provided at each side) and screw home.

5" diameter flue hole



Section through wall

**Note.** Check all of the hole positions before drilling.

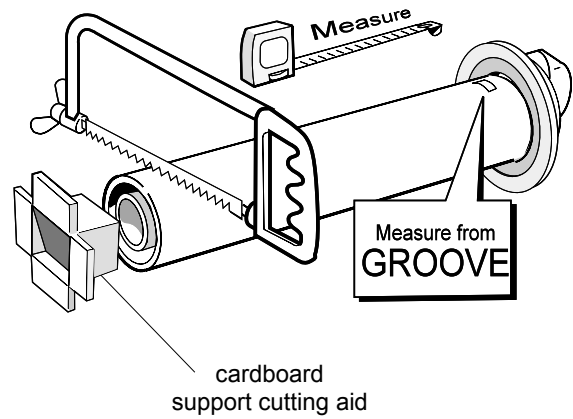
**Note.** If the terminal is to be sited within 25-40mm of a corner or vertical pipe (refer to Table 3) then the hole MUST be accurately cut and the rubber weather seal trimmed around the groove provided. The terminal wall plate need not be fitted.

**18 CUTTING THE FLUE** Wall thicknesses of 114 to 600mm

**Note.**

If the optional standoff bracket kit is used it is essential that 30 mm is added to the measured wall thickness when marking the flue (to allow for the thickness of the brackets).

1. Measure and note wall thickness X.
2. Add 61mm (2 3/8") to dimension X and, measuring from the groove, cut the tube.
3. To ensure the tube is cut square, mark the flue all the way round.
4. Cut to length, using the cardboard support aid.
5. Remove the cardboard support and any burrs.



**19 ASSEMBLING THE FLUE**

1. Using the tube of sealant provided, apply sealant right round the inside of the flue tube on the turret.

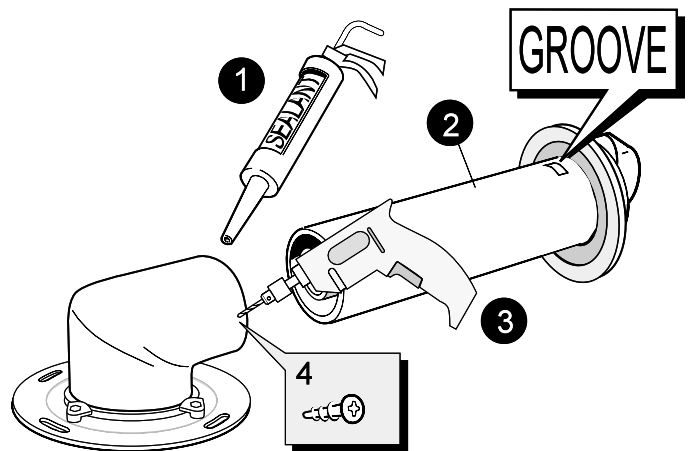
2. Fit the 'cut to length' flue on to the flue turret.

**Note.**

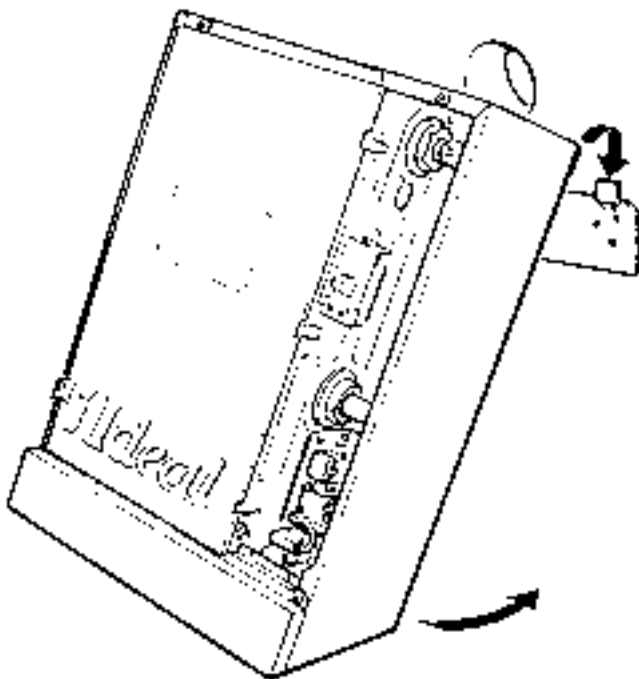
Ensure the groove in the flue aligns with the top of the turret.

3. Drill a 3.2mm dia. hole through the hole provided in the turret and through the outer flue duct.

4. Using the self tapping screw provided, fix the flue assembly to the turret.



**20 MOUNTING THE BOILER**



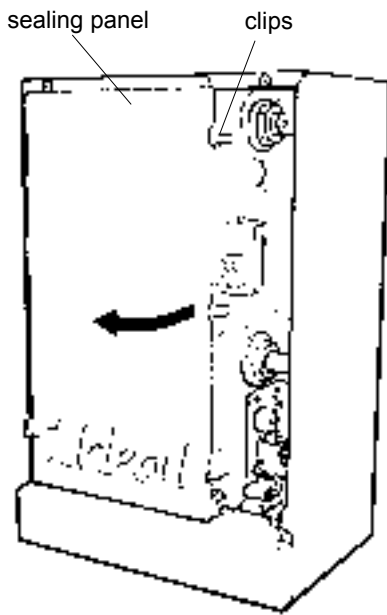
1. Lift the boiler onto the wall mounting plate, as shown.
2. Check the boiler alignment using a spirit level and adjust as necessary with the jacking screw.
3. Align the hole in the jacking plate with the pre-drilled hole in the wall and fix in position with the No.10 x 2" screw provided.

**Note.**

If the front of the boiler is to be flush with the front of 300mm deep kitchen units then the optional stand-off bracket kit should be used - refer to the fitting instructions supplied with the kit.

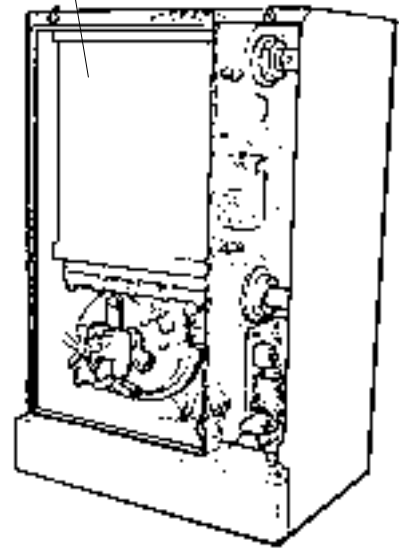
## INSTALLATION

### 21 CONNECTING THE FLUE TO THE BOILER



1. Undo the three clips retaining the boiler sealing panel.
2. Swing the panel open to the left and disengage it from the boiler.
3. Fit the flue connector tube (supplied in the hardware pack) to the top of the heat exchanger, ensuring that the seal is in place.
4. Insert the flue assembly through the hole in the wall far enough to allow the rubber seal to unfold completely and form an adequate seal on the outside wall.

Heat exchanger



5. Pull the flue back and locate the flue turret on to the top of the boiler, sealing between the turret and the connector tube with the sealant provided.
6. Secure the flue turret assembly on the top of the boiler using four M5 x 10mm screws provided in Pack B.

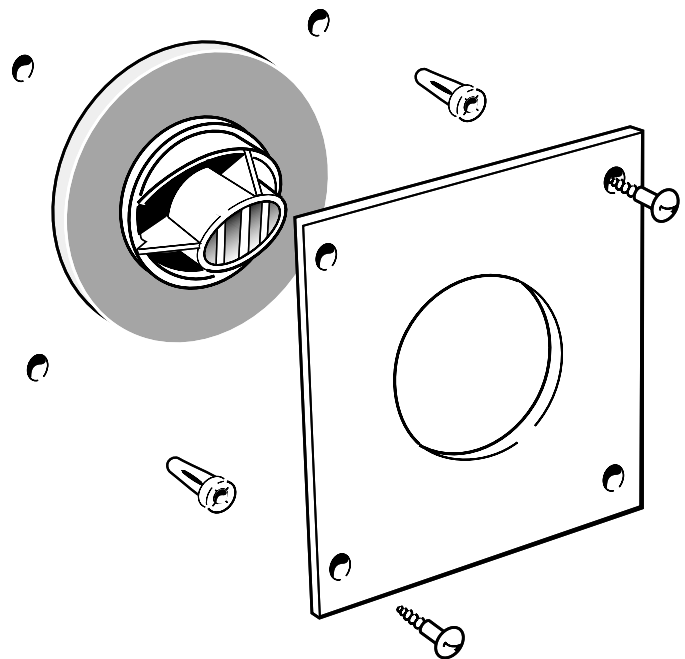
**Note.** It is now necessary to make good the inside wall face around the flue.

### 22 TERMINAL WALL PLATE

This plate allows neat concealment and full compression of the rubber seal. Its use is not essential if the flue hole and flue ducts have been accurately cut and the outside wall face is flat.

1. Position the terminal wall plate over the terminal.
2. Drill 4 fixing holes with a 7mm (1/4") masonry drill.
3. Insert the 4 plastic plugs provided.
4. Secure the plate with 4 of the No.10 x 2" screws provided.

**Note.** If the terminal is less than 2m (6' 6") above ground level, an approved terminal guard should be fitted. Refer to 'Flue Installation', Page 5.



## PROCEED TO FRAME 34



### 23 FLUE ASSEMBLY - Exploded view

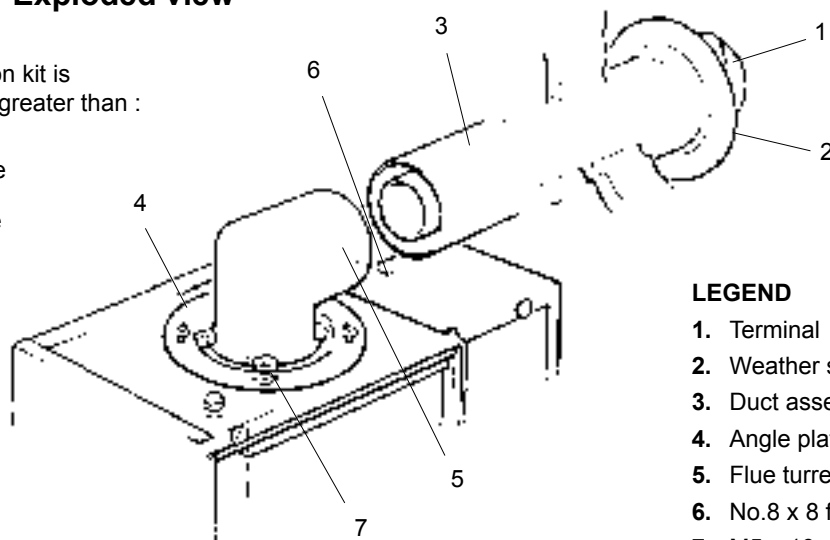
1. An optional flue duct extension kit is required for wall thicknesses greater than :

698 mm (27 1/2") for RHS flue

614 mm (24 1/8") for LHS flue

(see Frame 14).

2. When cutting the ducts always use the cardboard support cutting aid provided.



**LEGEND**

- 1. Terminal
- 2. Weather seal
- 3. Duct assembly
- 4. Angle plate
- 5. Flue turret
- 6. No.8 x 8 fixing screw
- 7. M5 x 10 pozi screws (4)

### 24 WALL MOUNTING TEMPLATE

**Note.**

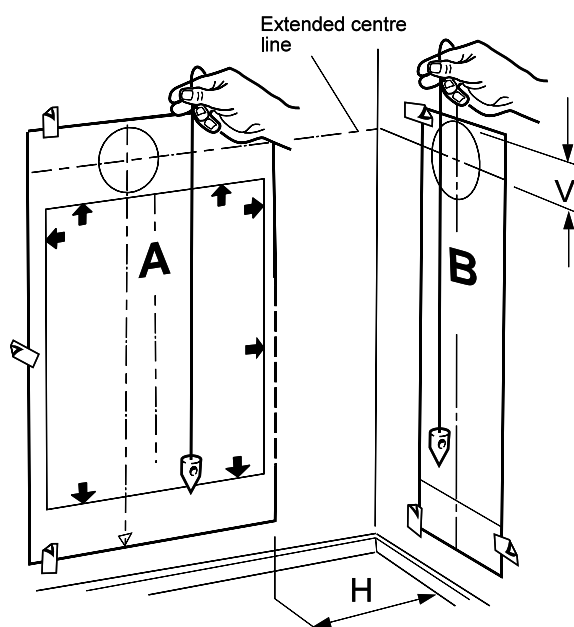
The template shows the positions for the fixing holes and the flue hole centres for standard installation and for using the standoff brackets. Care MUST be taken to ensure the correct holes are drilled.

1. Separate the templates.
2. Tape both templates into the selected position, locating template B through an extended centre line as shown - ensure that it is the right way up for the flue hand required.
3. Ensure squareness by hanging a plumbline as shown.
4. Mark onto the wall the following:
  - a The two wall mounting plate screw positions (choose one from each group) and the jacking screw position.
  - b The position of the flue duct hole (see diagram below, and template)

**Note.**

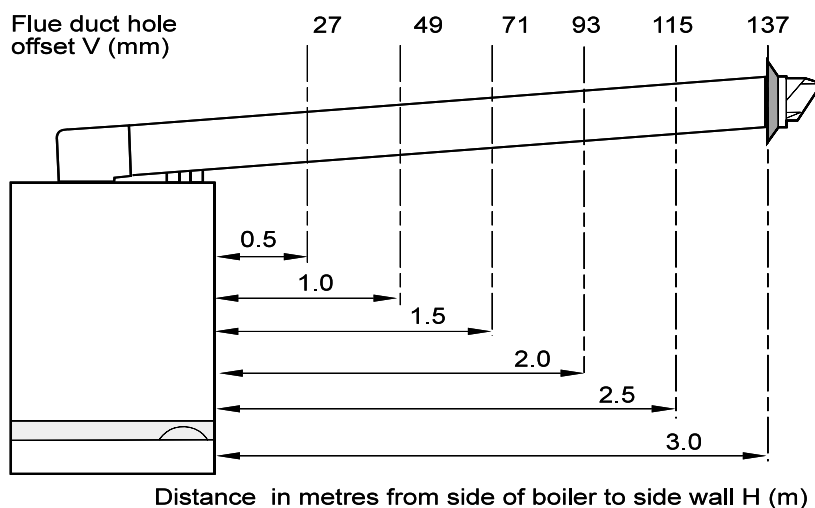
Mark the centre of the hole as well as the circumference

5. Remove both templates from the wall.



**Note.**

If the boiler is to be fitted flush with 300mm kitchen units using the stand-off brackets ensure the wall is marked to suit this condition (the dotted flue hole outlines on the template).



## INSTALLATION

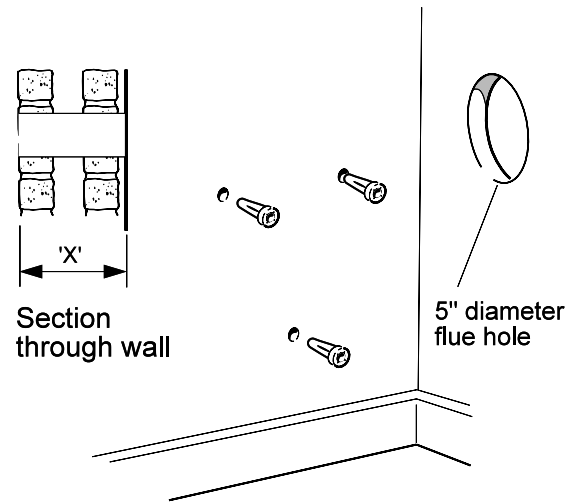
### 25 PREPARING THE WALL

**IMPORTANT.** Ensure that, during the cutting operation, masonry falling outside of the building does not cause damage or personal injury.

1. Cut the flue hole (preferably with a 5" core boring tool), ensuring that the hole is square to the wall. Both wall faces immediately around the cut hole should be flat.
2. Drill 3 holes with a 7mm (1/4") masonry drill and insert the plastic plugs, provided, for the wall mounting plate and the jacking screw plate.

**Note.** If the terminal is to be sited within 25-40mm of a corner or vertical pipe (refer to Table 3) then the hole **MUST** be accurately cut and the rubber weather seal trimmed around the groove provided. The terminal wall plate need not be fitted.

3. Locate 2 of the No.10 x 2" screws in the wall mounting plate (1 at each side, in any of the 3 holes provided at each side) and screw home.

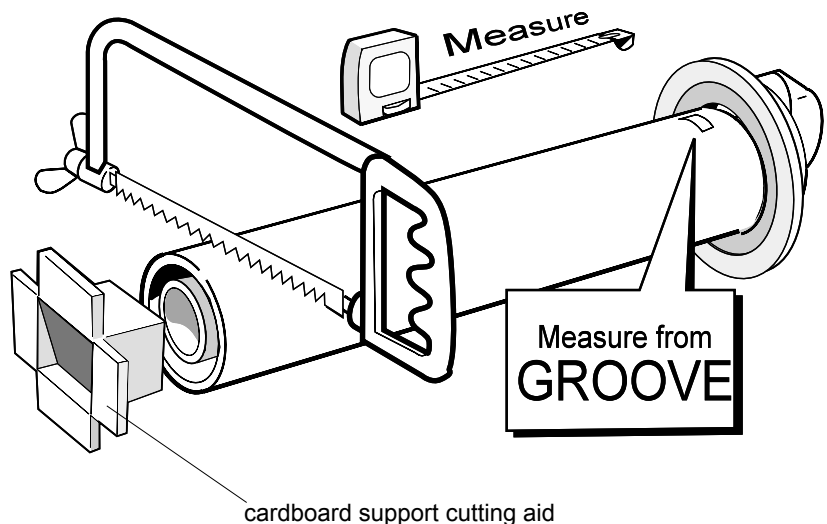


### 26 CUTTING THE FLUE - For flue lengths 114 to 600mm ONLY

1. The flue cut length is calculated as follows:-
  - a. Measure and note the wall thickness X
  - b. Add dimension H, measured in Frame 24.
  - c. For right hand side flue add 181mm (7 1/8")
  - d. For left hand side flue add 96mm (3 3/4")

i.e.  $X + H + 181\text{mm}$  (7 1/8") for RHS  
 $X + H + 96\text{mm}$  (3 3/4") for LHS

2. Measure from the groove and cut the tube.
3. To ensure the tube is cut square, mark the flue all the way round.
4. Cut to length, using the cardboard support aid.
5. Remove the cardboard support and remove any burrs.



**FOR FLUE LENGTHS GREATER THAN 600mm REFER TO FRAMES 31, 32 & 33 - FLUE EXTENSION DUCTS**

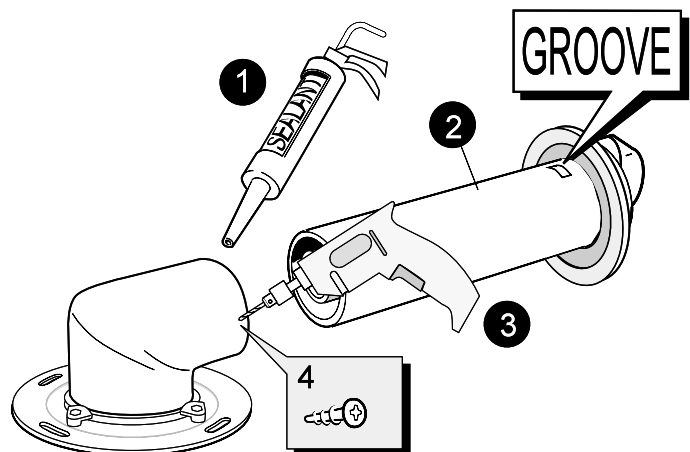
### 27 ASSEMBLING THE FLUE

1. Using the tube of sealant provided, apply sealant right round the inside of the flue tube on the turret.
2. Fit the 'cut to length' flue on to the flue turret.

**Note.**

Ensure the groove in the flue aligns with the top of the turret.

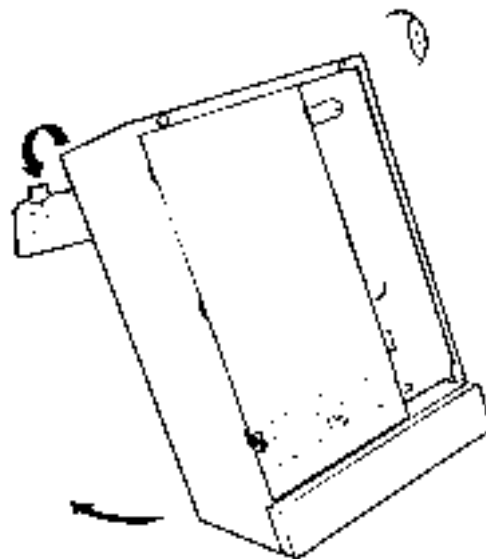
3. Drill a 3.2mm dia. hole through the hole provided in the turret and through the outer flue duct.
4. Using the self tapping screw provided, fix the flue assembly to the turret.



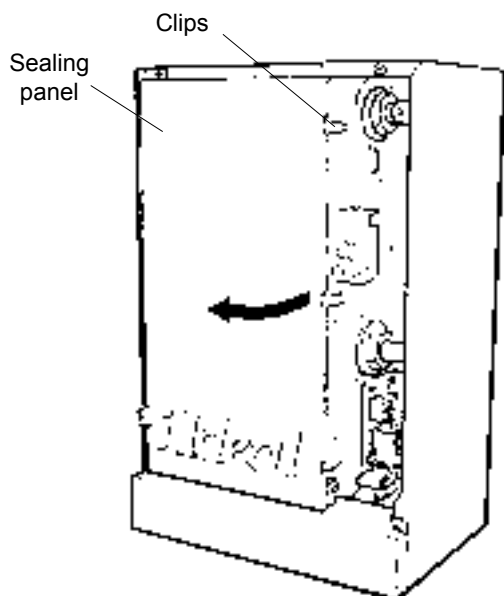
## 28 MOUNTING THE BOILER

1. Lift the boiler onto the wall mounting plate, as shown.
2. Check the boiler alignment using a spirit level and adjust as necessary with the jacking screw.
3. Align the hole in the jacking plate with the pre-drilled hole in the wall and fix in position with the No.10 x 2" screw provided.

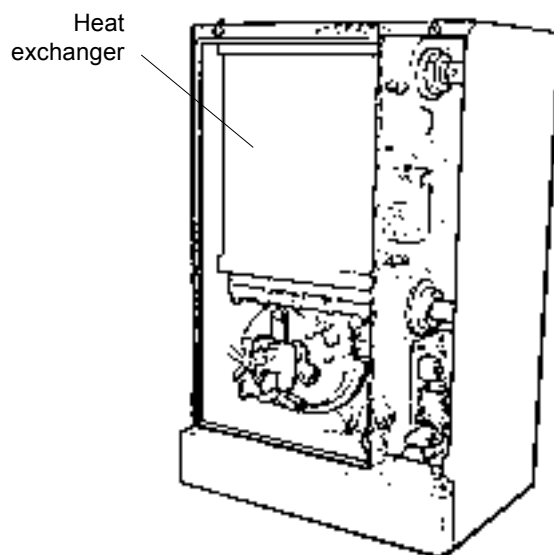
**Note.** If the front of the boiler is to be flush with the front of 300mm deep kitchen units then the optional stand off bracket kit should be used - refer to the fitting instructions supplied with the kit.



## 29 CONNECTING THE FLUE TO THE BOILER



1. Undo the three clips retaining the boiler sealing panel.
2. Swing the panel to the left and disengage it from the boiler.



3. Fit the flue connector tube (supplied in the hardware pack) to the top of the heat exchanger, ensuring that the seal is in place.
4. Insert the flue assembly through the hole in the wall far enough to allow the rubber seal to unfold completely and form an adequate seal on the outside wall.
5. Pull the flue back and locate the flue turret on to the top of the boiler, sealing between the turret and connector tube, with the sealant provided.
6. Secure the flue turret assembly on the top of the boiler, using four of M5 x 10mm screws provided in Pack B.

**Note.**

*It is now necessary to make good the inside wall face around the flue*

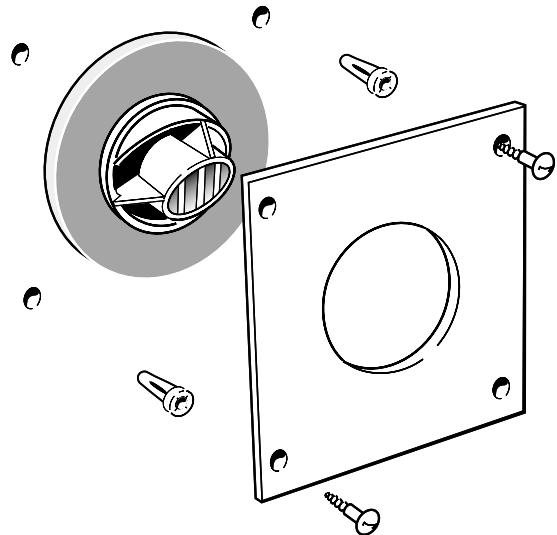
## INSTALLATION

### 30 TERMINAL WALL PLATE

This plate allows neat concealment and full compression of the rubber seal. Its use is not essential if the flue hole and flue ducts have been accurately cut and the outside wall face is flat.

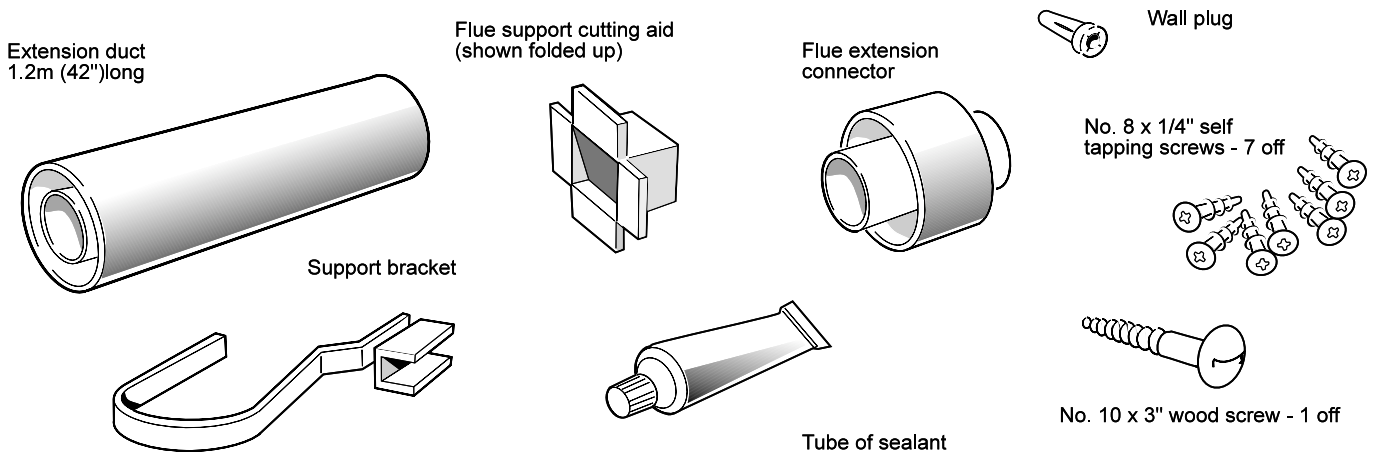
1. Position the terminal wall plate over the terminal.
2. Drill 4 fixing holes with a 7mm (1/4") masonry drill.
3. Insert the 4 plastic plugs provided.
4. Secure the plate with 4 of the No.10 x 2" screws provided.

**Note.** If the terminal is less than 2m (6' 6") above ground level, an approved terminal guard should be fitted. Refer to the Flue Installation, Page 5.



### 31 FLUE EXTENSION DUCTS - For flue lengths greater than 600mm

#### PACK D FLUE EXTENSION DUCT KIT CONTENTS.



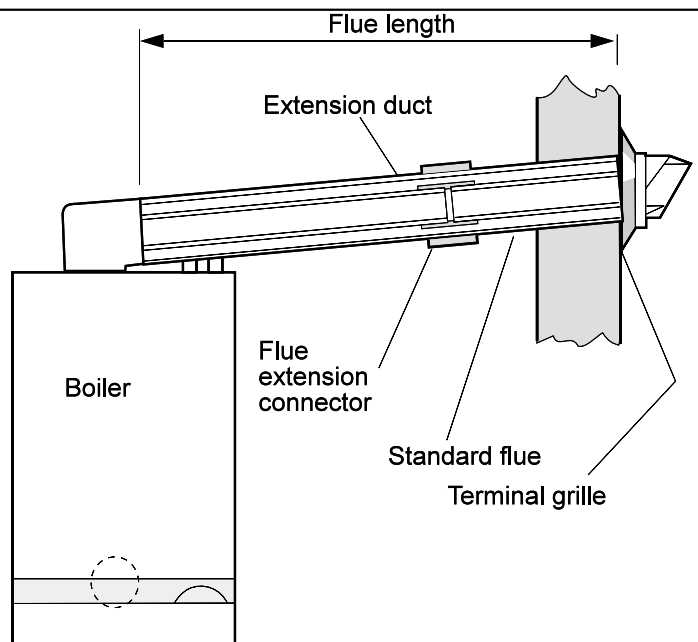
### 32 FLUE EXTENSION DUCTS - continued

**Use a maximum of two extension ducts only**

#### General arrangement

**Note.** Side flue shown

1. A **maximum** of two extension ducts (plus the standard flue duct) may be used together.
2. Flue extensions of greater length than 1m (39") should be supported with the bracket provided.

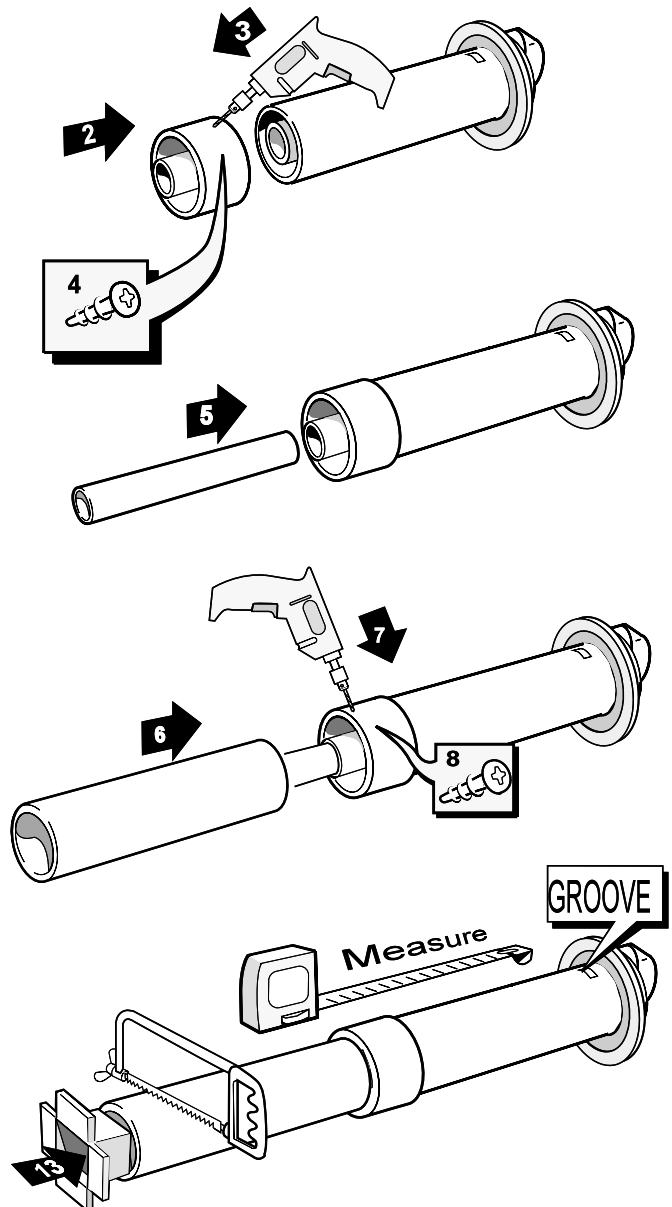


### 33 FITTING THE KIT

**IMPORTANT.** At each joint, seal the inner flue tube, using the sealant provided.

**Note.** Remove the cardboard support aid from the end of the standard flue duct (Pack B).

1. Remove the flue extension tube from the flue and place safely to one side.
2. Fit the flue extension connector on to the standard flue duct.
3. Drill three 3.2mm dia. equally spaced holes through the flue connector and the outer flue duct. **Do not drill the inner flue duct.**
4. Insert the self tapping screws, provided, to fix the connector in position.
5. Fit the inner flue duct into the connector.
6. Fit the outer flue duct into the connector.
7. Drill three 3.2mm dia equally spaced holes through the flue connector and the outer flue duct. **Do not drill the inner flue duct.**
8. Insert the self tapping screws, provided, to fix the connector in position.
9. Repeat steps 5 - 8 if a second flue extension duct is required.
10. Measure and mark the flue length required onto the flue, measuring from the groove near the terminal.
11. To ensure the tube is cut square, mark the flue all the way round.
12. Cut to length, using the cardboard support aid.
13. Remove the cardboard support and any burrs.



Appliances fitted with a **REAR** outlet flue;  
Appliances fitted with a **SIDE** outlet flue;

please refer to Frame 19  
please refer to Frame 27

### 34 ELECTRICAL CONNECTIONS

**WARNING.** This appliance MUST be efficiently earthed

A mains supply of 230 V ~ 50 Hz is required.

All external controls and wiring MUST be suitable for mains voltage. Wiring should be 3 core PVC insulated cable NOT LESS than 0.75 mm<sup>2</sup> (24 x 0.2mm) and to BS. 6500, Table 16.

Wiring external to the boiler MUST be in accordance with the current I.E.E. (BS7671) Wiring Regulations and any local regulations.

The supply connection is intended to be made via a double pole switch, having a 3mm (1/8") contact separation in both poles, serving only the boiler and system controls.

The fuse rating should be 3 A.

## 35 INTERNAL WIRING

**Note.** If the programmer kit is to be fitted refer to the instructions provided with the kit, and Frame 36.

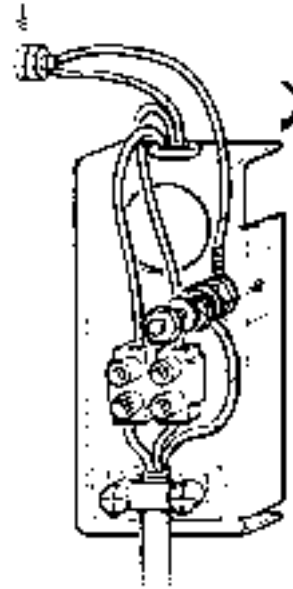
A pictorial wiring diagram is shown in Frame 37 .

1. Route the mains cable into the bottom RHS rear of the casing.
2. Swing the terminal strip bracket out.
3. Wire the live and neutral into the terminal strip.
4. Connect the earth wire to the earth post.

**Note.** Ensure that the lengths of the current carrying conductors are shorter than the earth conductor so that if the cable slips in its anchorage the current carrying conductors become taut before the earth conductor.

5. Secure the mains lead with the cable clamp.
6. Swing the terminal strip bracket back into its working position.

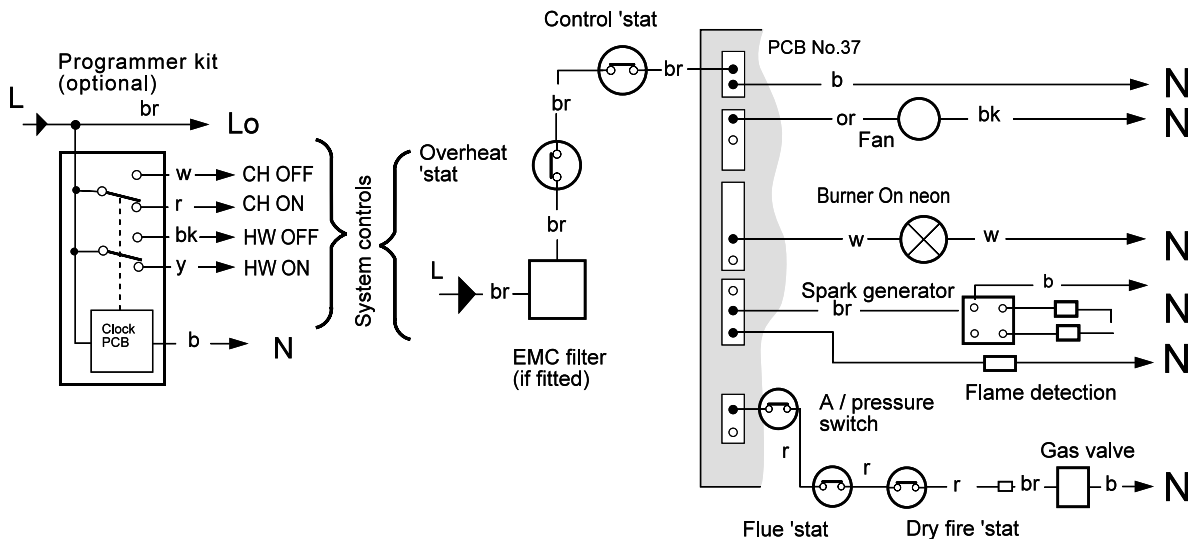
### Incoming mains wiring detail



### Flow wiring diagram

**LEGEND**

<b>br</b> - brown	<b>w</b> - white
<b>b</b> - blue	<b>r</b> - red
<b>bk</b> - black	<b>y</b> - yellow
<b>o</b> - orange	



## 36 EXTERNAL WIRING

External wiring **MUST** be in accordance with the current I.E.E. (BS7671) Wiring Regulations.

The wiring diagrams illustrated in Frames 38 to 41 cover the systems most likely to be used with this appliance.

For wiring external controls to the **Minimiser** boiler, reference should be made to the systems wiring diagram supplied by the relevant manufacturer in conjunction with the wiring diagrams shown in Frames 38 to 41.

Difficulty in wiring should not arise, providing the following directions are observed:

1. Controls that switch the system on and off, e.g. a time switch, **MUST** be wired in series, in the live mains lead to the boiler.

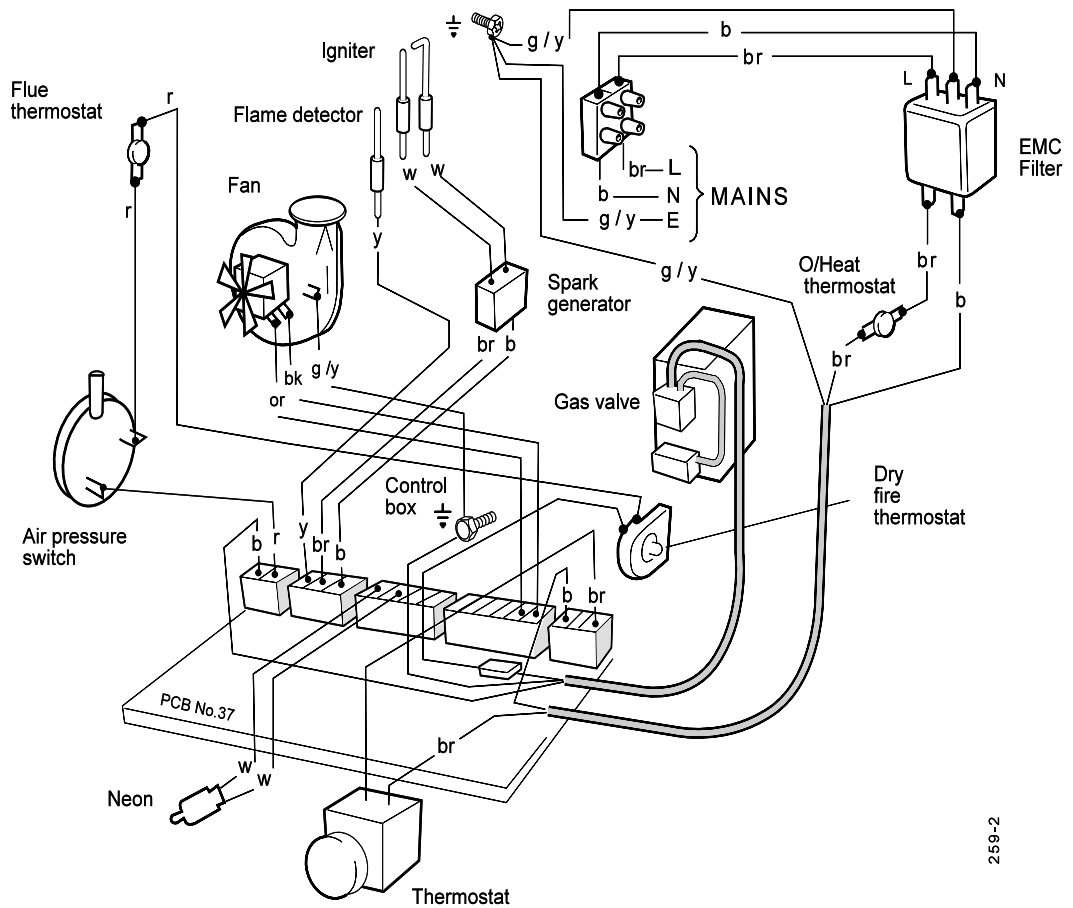
2. Controls that override an on/off control, e.g. a frost thermostat, **MUST** be wired into the mains supply, in parallel, with the controls to be overridden. Refer to Frame 42.
3. If a proprietary system is used, follow the instructions supplied by the manufacturer.
4. The pump must always be wired in parallel with the boiler.
5. **SYSTEM DESIGNS FEATURING CONTROLS OR WIRING ARRANGEMENTS WHICH ALLOW THE BOILER TO FIRE WHEN THERE IS NO PUMPED CIRCULATION TAKING PLACE MUST NOT BE FITTED.**

Advice on required modifications to wiring may be obtained from the component manufacturers.

### 37 PICTORIAL WIRING

**LEGEND**

- b** - blue
- bk** - black
- br** - brown
- r** - red
- w** - white
- or** - orange
- y** - yellow
- g/y** - green/yellow



259-2

### 38 MID POSITION VALVE - pumped only

1. Some earth wires are omitted for clarity. Ensure proper earth continuity when wiring
2. This is a fully controlled system - set the boiler thermostat to MAXIMUM.
3. Numbering of thermostat terminals applies only to the manufacturer mentioned.

TLX 2259  
TLX 2284

RTE  
RTS

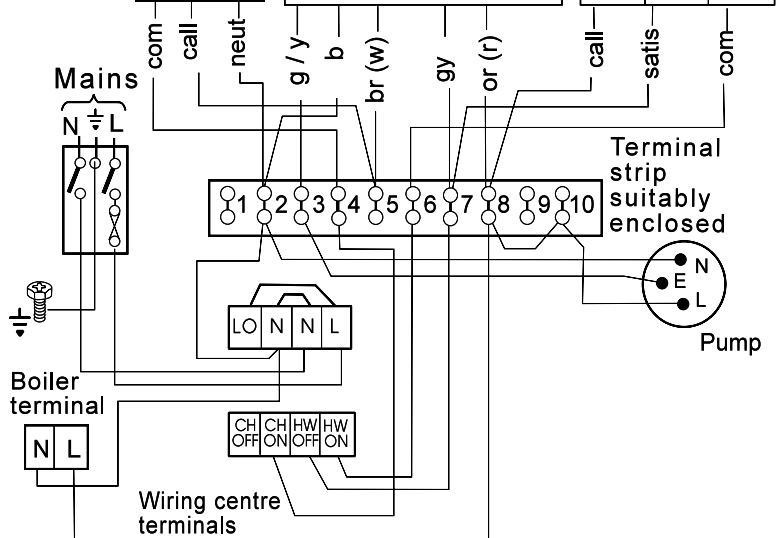
Room Thermostat Terminals		
1	3	2
3	1	4
1	2	4
1	3	-
1	2	4
L	3	N
1	3	4
2	1	4

Mid Position valve details		
HONEYWELL Y PLAN V4073H 1039		
SUNVIC 'Unishare' DT 1701 etc.		
LANDIS & GYR 'LGM' MAV - 322/328		
A.C.L. 679. H. 340.30.UO		
DRAYTON Flowshare 2		
SOPAC Centra Share ZV20 - EB MID		
DANFOSS DMV - 3M		

Cylinder Thermostat Terminals		
1	2	c
1	2	3
2	3	1
1	2	3
bk	y	r
2	3	1
1	2	c
n. c.	n. o.	com.

**LEGEND**

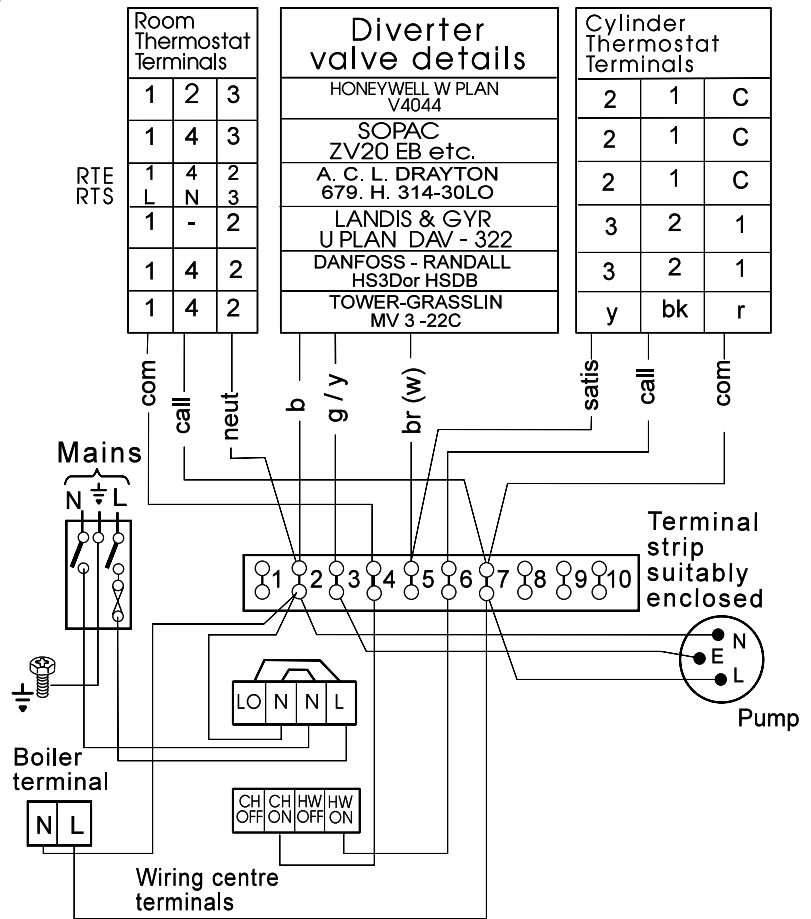
- w** - white
- b** - blue
- bk** - black
- br** - brown
- r** - red
- y** - yellow
- g/y** - green/yellow
- gy** - grey
- or** - orange
- v** - violet
- pk** - pink



# INSTALLATION

## 39 DIVERTER VALVE - pumped only

1. Some earth wires are omitted for clarity - ensure proper earth continuity when wiring.
2. This is a fully controlled system - set the boiler thermostat to MAXIMUM.
3. Numbering of thermostat terminals applies only to the manufacturer mentioned.
4. The boiler should be sized for radiator load only.
5. A clock 'stat may be used instead of separate room 'stat and time switch.

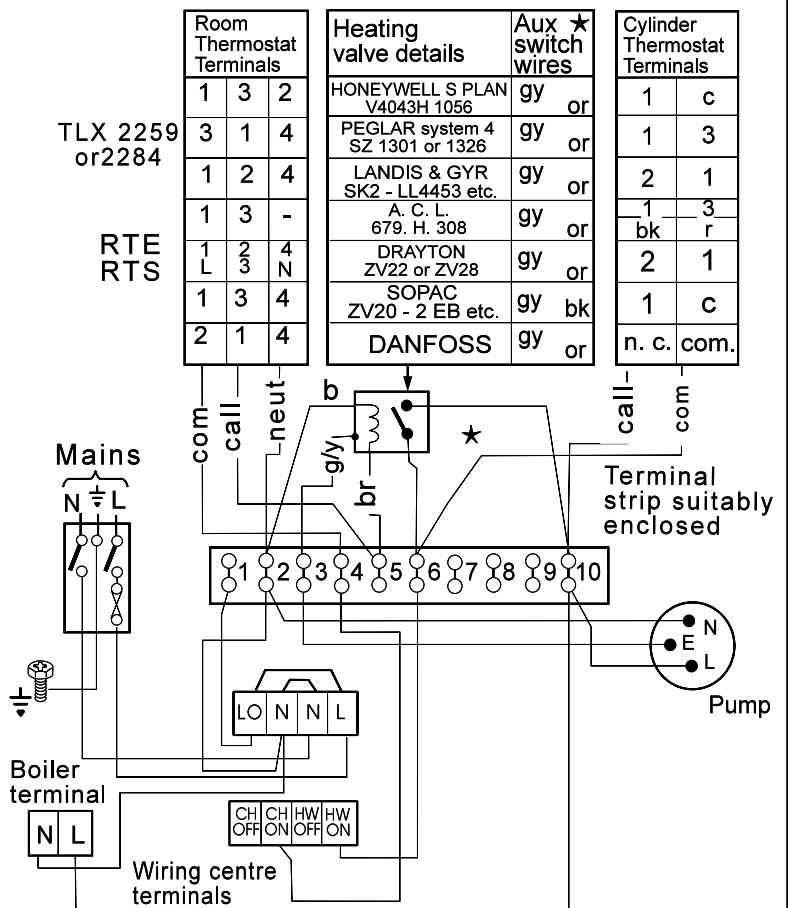


### LEGEND

- r** - red
- b** - blue
- br** - brown
- bk** - black
- y** - yellow
- w** - white
- g/y** - green/yellow

## 40 ONE VALVE IN HEATING CIRCUIT - pumped only

1. Some earth wires are omitted for clarity - ensure proper earth continuity when wiring.
2. Numbering of thermostat terminals applies only to the manufacturer mentioned.



### LEGEND

- b** - blue
- bk** - black
- br** - brown
- r** - red
- y** - yellow
- w** - white
- g/y** - green/yellow
- gy** - grey
- or** - orange
- v** - violet
- pk** - pink

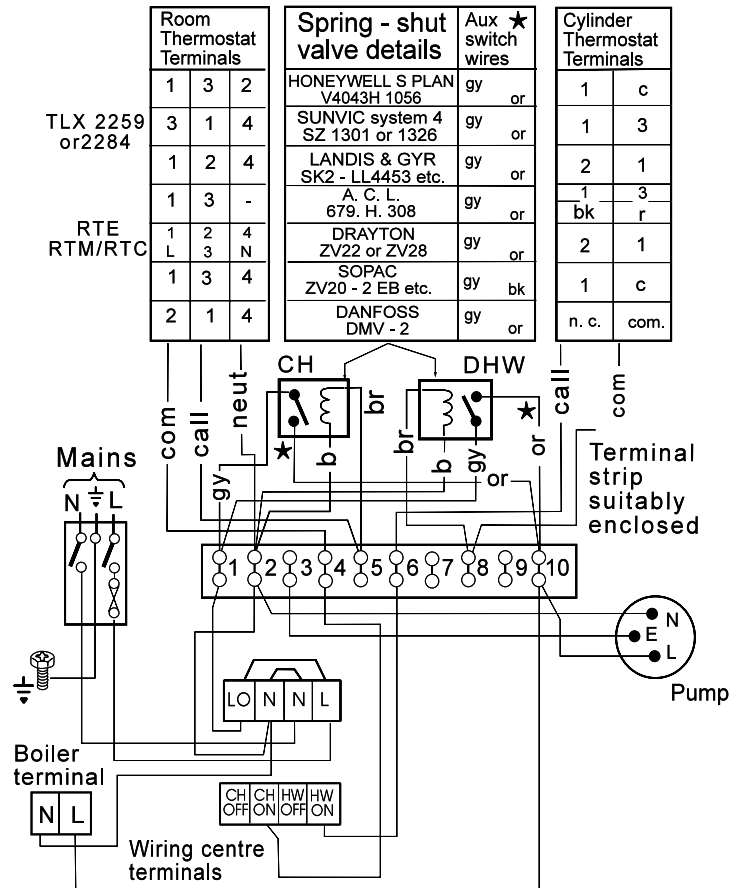


### 41 TWO SPRING CLOSED VALVES - pumped only

1. Some earth wires are omitted for clarity - ensure proper earth continuity when wiring.
2. This is a fully controlled system - set the boiler thermostat to MAXIMUM.
3. Numbering of thermostat terminals applies only to the manufacturer mentioned.

**LEGEND**

- b - blue
- bk - black
- br - brown
- r - red
- y - yellow
- w - white
- g/y - green/yellow
- gy - grey
- or - orange
- v - violet
- pk - pink



### 42 FROST PROTECTION

Central heating systems fitted wholly inside the house do not normally require frost protection as the house acts as a 'storage heater' and can normally be left at least 24 hours without frost damage.

However, if parts of the pipework run outside the house or if the boiler will be left off for more than a day or so then a frost thermostat should be wired into the system. This is usually done at the programmer, in which case the programmer selector switches are set to OFF and all other controls MUST be left in the running position.

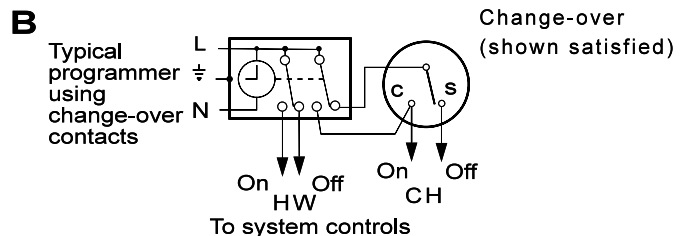
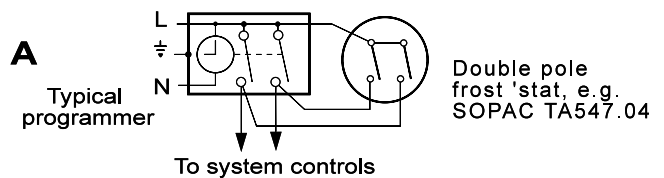
The frost thermostat should be sited in a cold place but where it can sense heat from the system.

Wiring should be as shown, with minimal disturbance to other wiring of the programmer.

Designation of the terminals will vary but the programmer and thermostat manufacturers' leaflets will give full details.

**Diagram A** shows a double-pole frost thermostat, which should suffice for all systems which do not use the OFF terminals of the programmer.

**Diagram B** shows a 'changeover' frost thermostat, which will cover most systems which do use CH OFF. If, however, on such a system the HW pipework is in an isolated part of the house a second frost thermostat may be used to protect it. If in doubt ask your installer for advice.



**Note.**  
If the boiler is installed in a garage it may be necessary to fit a pipe thermostat.

# INSTALLATION

## 43 BOILER WATER CONNECTIONS

The boiler flow and return pipes are supplied fitted to the boiler and ready for top connection.

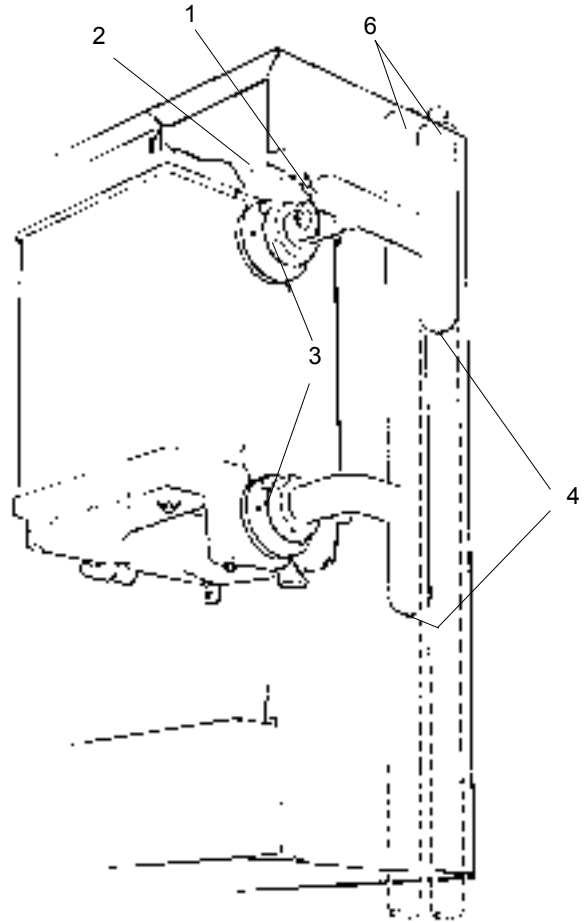
**Note.** For boiler sizes FF30 to FF60 use the 28mm x 22mm connectors supplied in the hardware pack, to reduce the boiler flow and return pipes to 22mm.

### TOP CONNECTION

Connect the system pipework to the boiler flow and return pipes.

### BOTTOM CONNECTION

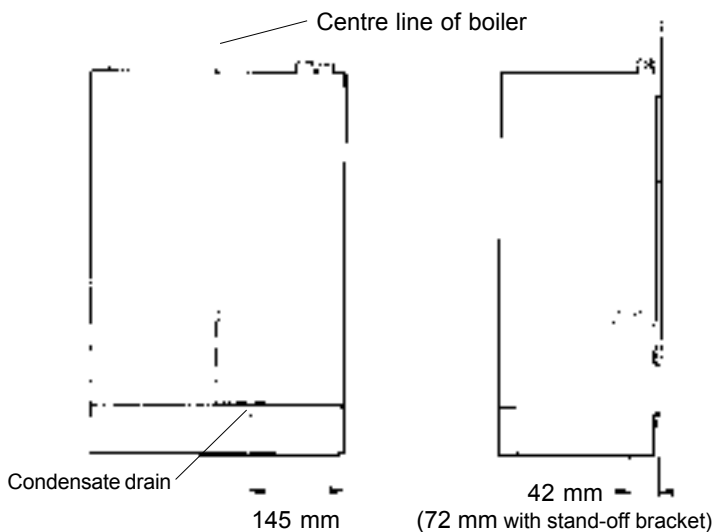
1. Remove the retaining pin and withdraw the thermostat phial from the pocket.
2. Disconnect the electrical leads from the overheat thermostat.
3. Undo the flow and return pipe unions and withdraw the pipes from the boiler.
4. Cut off the spun ends of the pipes and connect pipes of suitable length to terminate 50mm (2") outside the bottom of the boiler casing.
5. Refit the pipe assemblies to the flow and return bosses, ensuring that the gaskets are in position.  
**Note.** Fit the return pipe assembly first.
6. Fit an *automatic* air vent to the top of the **return** pipe assembly and a *manual* air vent to the top of the **flow** pipe assembly (where pressures may at times be negative).
7. Connect the system pipework to the flow and return pipes at the bottom of the boiler.
8. Reconnect the overheat thermostat electrical leads and re-insert the boiler thermostat phial into the pocket, retaining it with the split pin.



Pipework shown as a dotted line is not supplied

## 44 CONDENSATE DRAIN

Refer also to the British Gas document: 'Guidance Notes for the Installation of Domestic Gas Condensing Boilers' (1989)



**Note.**  
The drain connection is located at the rear of the controls compartment  
The condensate drain provided on the boiler must be connected to a drainage point, preferably within the building.

The routing of the drain must be made to allow a minimum fall of 1 in 20 away from the boiler, throughout its length.

The drainage pipework must be arranged so that obstruction (e.g. through freezing) of external drainage pipe does not give rise to spillage within the dwelling.

**Important.** Any external runs must be insulated.

Excessive external pipe runs should be avoided in order to prevent possible freezing.

All pipework and fittings in the condensate drain system must be made of plastic. No other materials may be used.

The drain outlet on the boiler is standard 22mm overflow pipe. This size must not be reduced in any part of its length.

In order to defer the onset of freezing of the condensate drain when the pipe is run externally the pipe should be run as far as possible within the building.

The boiler condensate drain connection is suitable for Bartol 'Polypipe' tubing. An adaptor is supplied to allow the use of Marley 'Terrain' tubing, which is slightly larger. This adaptor should be sealed to the Marley 'Terrain' tubing and to the boiler condensate drain, using a suitable plastic tube adhesive.

### 45 GAS CONNECTION

Refer to Frame 2 for details of the position of the gas connection.

A MINIMUM working gas pressure of 20 mbar (8" w.g.) must be available at the boiler inlet with the boiler firing. Refer to Frame 47 or 'Servicing' for details of the pressure test point position.

Extend a gas supply pipe NOT LESS THAN 15mm O.D. to the boiler and connect to the gas service cock, situated at the bottom right hand side of the boiler.

The connection MUST be from the RHS rear of the boiler and from either ABOVE or BELOW. *Do not route the pipe behind the control box.*

Ensure that the gas supply pipe does not foul the boiler casing.

**Note.** *If the pipe run from the meter to the boiler is greater than 3m (10') it is recommended that 22mm O.D. pipe is used.*

To facilitate connection, it is recommended that the gas service cock is not removed from the gas control valve.

A 1/2" BSP x 15mm connector, pre-fitted with a short stub connection, should be screwed into the cock, using a suitable sealant.

**IMPORTANT.** The gas service cock contains a non-metallic seal so must not be overheated when making capillary connections.

### 46 COMMISSIONING AND TESTING

#### A. Electrical Installation

1. Checks to ensure electrical safety should be carried out by a competent person.
2. ALWAYS carry out the preliminary electrical system checks, i.e. earth continuity, polarity, resistance to earth and short circuit, using a suitable test meter.

**WARNING.** *Whilst effecting the required gas soundness test and purging air from the gas installation, open all windows and doors, extinguish naked lights and DO NOT SMOKE.*

#### B. Gas Installation

1. The whole of the gas installation, including the meter, should be inspected and tested for soundness and purged in accordance with the recommendations of BS. 6891.
2. Purge air from the gas installation by loosening the gas cock union and purge until gas is smelled.
3. Retighten the union and test for gas soundness.

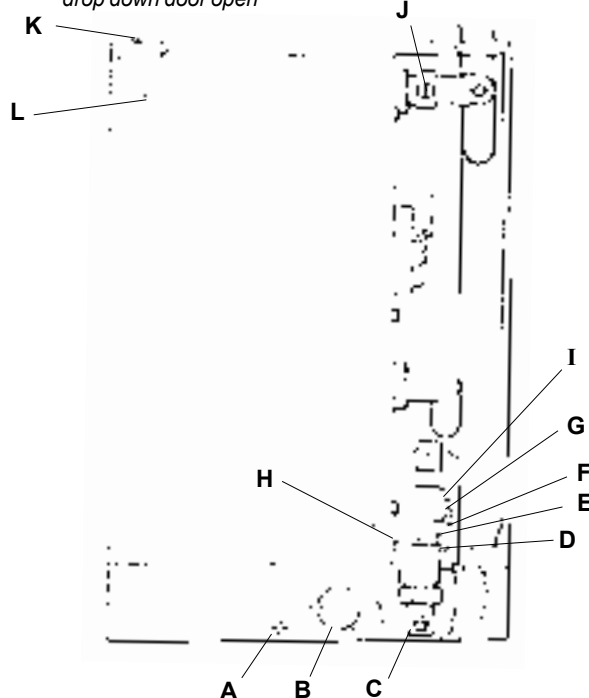
### 47 INITIAL LIGHTING

#### LEGEND

- |                              |  |
|------------------------------|--|
| A 'Burner on' neon           | G Fan pressure test point (Hi)                   |
| B Thermostat knob            | H Dry fire thermostat reset button               |
| C Gas service cock           | I Fan pressure test point (Lo)                   |
| D Inlet pressure test point  | J Overheat thermostat reset button               |
| E Burner pressure test point | K Flue gas sampling point                        |
| F Burner pressure adjuster   | L Flue 'stat reset button (behind sealing panel) |

1. Check that the system has been filled and that the boiler is not air locked - air in the system could trip the dry fire 'stat (H)
2. Check that all the drain cocks are closed and any valves in the flow and return are open.
3. Check that the electrical supply is OFF.
4. Check that the flue 'stat (L) is calling for heat - press the reset button.
5. Refit the boiler sealing panel - refer to Frame 21.
6. Check that the gas service cock (C) is ON and that the boiler thermostat knob (B) is OFF.
7. Check that the dry fire thermostat (H) and overheat thermostat (J) are calling for heat - press the reset buttons.
8. Remove the screw in the burner pressure test point (E) and connect a gas pressure gauge via a flexible tube.
9. Switch the electricity supply ON and check that all external controls are calling for heat.
10. Set the boiler thermostat knob (B) to position 6. The gas control solenoid valve should open and the spark commence, continuing until the burner is established.
11. Check that the burner lights smoothly and that the 'Burner on' neon (A) illuminates.  
If this does not occur within 10 seconds, turn the thermostat knob to OFF, wait for 5 seconds then repeat step 10.  
If the burner still does not light refer to the 'Fault Finding' section.
12. Test for gas soundness around ALL boiler gas components, using leak detection fluid.
13. Operate the boiler for 20 minutes to stabilise the burner temperature.

**Note.** *Boiler is shown with the front panel removed and the controls drop down door open*



14. The boiler is spot rated. Check that the burner pressure corresponds to the setting given on the data plate, located at the RHS of the boiler casing. Adjust as necessary via the adjuster screw (F). Prise aside the plastic cover and turn the screw CLOCKWISE to reduce the pressure or ANTICLOCKWISE to increase the pressure. Refit the cover.
15. Set the thermostat knob (B) to OFF.
16. Switch the electricity supply OFF.
17. Remove the pressure gauge and tube. Replace the sealing screw in the pressure test point. Ensure a gas tight seal is made.
18. Refit the boiler front and bottom panels, using the screws previously removed.
19. Close the controls pod door.

## 48 GENERAL CHECKS

Make the following checks for correct operation

1. Operate the thermostat knob and check that the burner and 'Burner on' neon, light and extinguish in response.
2. The correct operation of ANY programmer and all other system controls should be proved. Operate each control separately and check that the main burner or circulating pump, as the case may be, responds.
3. Water circulation system:

**Note.** *Fernox Superfloc flushing solution should be used during the flushing procedure - refer to Frame 9.*

- a. With the system HOT examine all water connections for soundness.
- b. With the system still HOT, turn off the gas, water and electricity supplies to the boiler and drain down to complete the flushing process.
- c. Refill and vent the system, add inhibitor (see Frame 9), clear all air locks and again check for water soundness. Adhere the water treatment warning label, supplied in the hardware pack, in a *prominent position* on the system, to prevent the use of incorrect water treatment additives.
- d. Balance the system (see Frame 4).

4. Check the condensate drain for leaks and check that it is discharging correctly

5. Finally set the controls to the User's requirements.

- If an optional programmer kit is fitted then refer to the instructions supplied with the kit.
- The temperatures quoted alongside are approximate, and vary between installations.

Knob Setting	Flow Temperature	
	°C	°F
1	50	120
2	60	140
3	66	150
4	71	160
5	77	170
6	82	180

## 49 HANDING OVER

After completing the installation and commissioning of the system the installer should hand over to the householder by the following actions:

1. Hand the User's Instructions to the householder and explain his or her responsibilities under the Gas Safety (Installation and Use) Regulations 1994.
2. Draw attention to the Lighting Instruction label affixed to the controls pod door.
3. Explain and demonstrate the lighting and shutting down procedures.
4. The operation of the boiler and the use and adjustment of ALL system controls should be fully explained to the householder to ensure the greatest possible fuel economy consistent with household requirements of both heating and hot water consumption.

Advise the User of the precautions necessary to prevent damage to the system and to the building in the event of the system remaining inoperative during frosty conditions.

5. Explain the function and the use of the boiler thermostat and external controls.
6. Explain and demonstrate the function of time and temperature controls, radiator valves, etc., for the economic use of the system.
7. If any programmer kit is fitted then draw attention to the Programmer Kit User's Instructions and hand them to the householder.
8. Stress the importance of regular servicing by a Corgi registered installer and that a comprehensive service should be carried out AT LEAST ONCE A YEAR.

## 50 SERVICING SCHEDULE

To ensure the continued safe and efficient operation of the appliance it is recommended that it is checked at regular intervals and serviced as necessary. The frequency of servicing will depend upon the installation condition and usage but should be carried out at least annually. It is the law that any service work must be carried out by a registered CORGI installer.

1. Remove the boiler bottom panel - refer to Frame 59, step 4.
2. Light the boiler and carry out a pre-service check, noting any operational faults.
3. Check the operation of the pressure switch - refer to Frame 51.
4. Relight the boiler and operate for at least 20 minutes. Check the gas consumption.
5. Connect a suitable gas analyser to the sampling point on top of the boiler - refer to Frame 51 (optional test).  
For correct boiler operation the CO/CO<sub>2</sub> content of the flue gas should not be greater than 0.004 ratio.  
If this is the case, and the gas input is at least 90% of the nominal, then no further action need be taken. If not, proceed to step 6.
6. Clean the main burner.

7. Clean the heat exchanger.

**Note.** This must be done with the heat exchanger and deposits in a dry condition - refer to Frame 55.

8. Check the main injector for blockage or damage.
9. Check that the flue terminal is unobstructed and that the flue system is sealed correctly.

The servicing procedures are covered more fully in Frames 51 to 57 and MUST be carried out in sequence.

**WARNING.** Always turn off the gas supply at the gas service cock, and switch off and disconnect the electricity supply to the appliance before servicing.

**IMPORTANT.** After completing the servicing or exchange of components always test for gas soundness and carry out functional checks as appropriate.

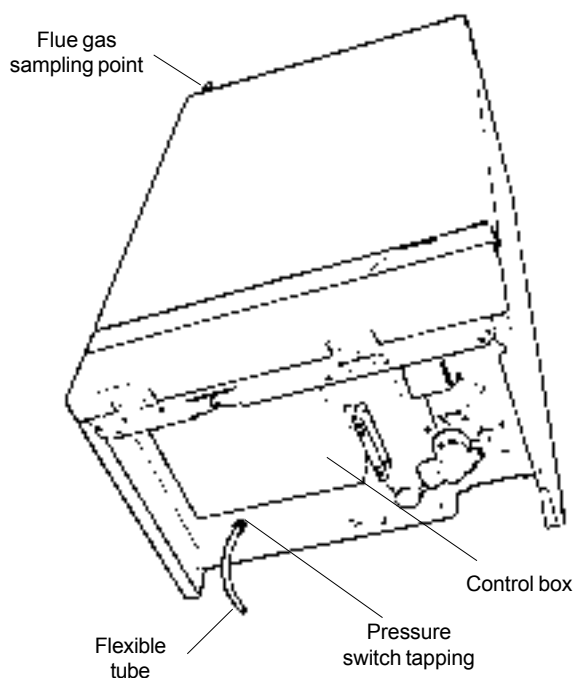
**Note.** In order to carry out either servicing or replacement of components the boiler front panel and sealing panel must be removed - refer to Frames 12 and 52.

**IMPORTANT.** When work is complete the sealing panel MUST be correctly refitted, ensuring that a good seal is made.

**DO NOT OPERATE THE BOILER IF THE SEALING PANEL IS NOT FITTED.**

## 51 PRESSURE SWITCH OPERATION

1. Connect a flexible tube to the pressure switch tapping, located at the bottom of the boiler, behind the control box.

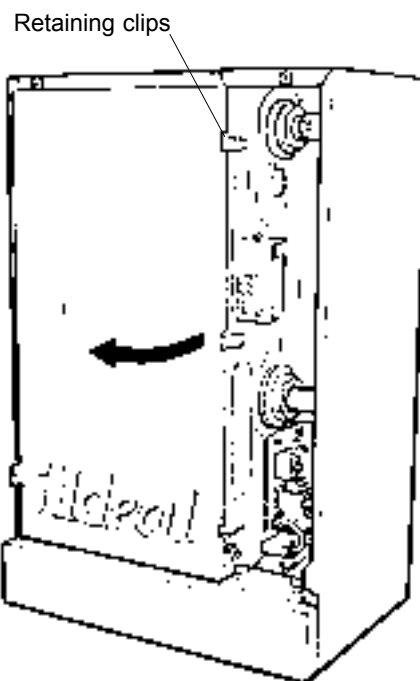


2. With the boiler running, blow gently into the tube. The burner should shut down and the 'Burner on' neon extinguish. The fan should continue to run. If this does not occur replace the pressure switch - refer to Frame 71.
3. Remove the flexible tube and refit the boiler bottom panel.

**Note.** The pressure switch tapping does not have a cap or sealing screw and MUST be left open to atmosphere.

## 52 BOILER SEALING PANEL REMOVAL

1. Turn off the gas supply at the gas service cock and disconnect the electricity supply.

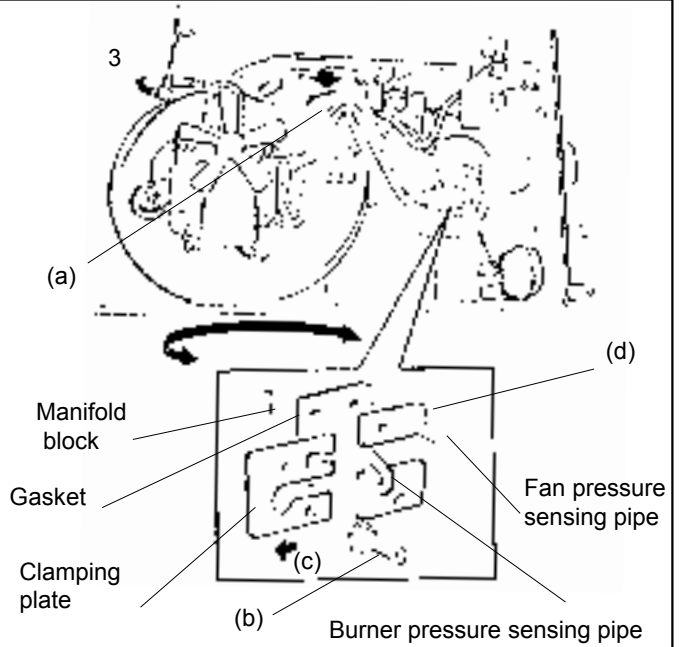


2. Remove boiler front panel as described in Frame 12.
3. Release the three retaining clips on the right hand side of the panel.
4. Swing the panel open to the left and disengage it from the boiler.

**53 FAN REMOVAL AND CLEANING**

1. Disconnect the electrical leads from the fan.
2. Disconnect the pressure sensing pipe from the fan.
  - a. Undo the 2 screws securing the pipe to the fan.
  - b. Undo the 2 screws securing the pipe clamping plate to the manifold block.
  - c. Withdraw the clamping plate.
  - d. Withdraw the pipe from the boiler.
3. Press the retaining bracket lever upwards and rotate the fan body to the right to disengage the fan scroll from the bracket. Continue rotating to disengage the bayonet fixing on the fan outlet.
4. Withdraw the fan.
5. Check that the fan impeller runs freely. Clean with a soft brush or renew as necessary - refer to Frame 70.

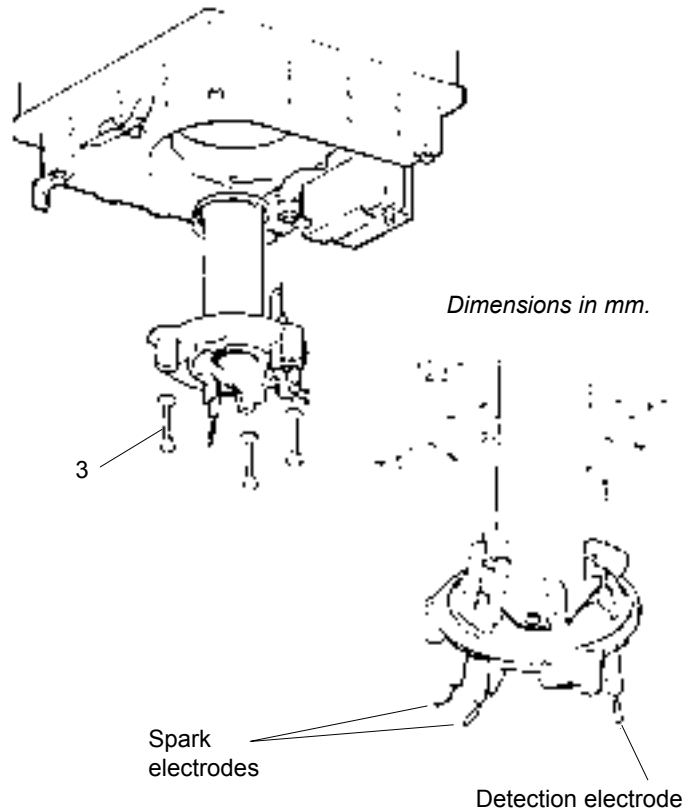
**Note.** Always take care when handling the fan, in order to preserve the balance of the impeller.



**54 BURNER REMOVAL AND CLEANING**

1. Disconnect the 2 ignition leads and one detection lead from the electrodes.
2. Disconnect the pressure sensing pipe from the burner. Pull the pipe downward to disengage it from the burner mounting plate.
3. Undo the 3 fixing screws securing the burner assembly.
4. Withdraw the burner assembly downward and out of the heat exchanger.
5. Brush off any deposits that may have collected on the burner, ensuring that the flame ports are unobstructed.
 

**Note.** Brushes with metallic bristles **MUST NOT** be used.
6. Inspect the spark and detection electrodes. Ensure they are clean and in good condition - replace if necessary.
7. Check the spark and electrode gaps are correct.
8. Check that the spark and detection leads are in good condition and renew as necessary



**55 CLEANING THE HEAT EXCHANGER**

**IMPORTANT.** Deposits are most effectively removed from the fins if they are dry. Ensure this by running the pre-service checks with the boiler thermostat set to maximum to avoid condensing conditions.

1. Place a plastic sheet or similar beneath the boiler and remove all visible loose deposits from the heat exchanger fins, using a suitable brush.
2. Take care to clean debris from the ledge inside the combustion chamber.



**56 RE-ASSEMBLY**

Reassemble the boiler in the following order:

1. Refit the burner, renewing any damaged or deteriorating sealing gaskets.
2. Reconnect the 2 ignition leads and the detection lead.
3. Reconnect the pressure sensing pipe to the burner.
4. Refit the fan, engaging it in the bayonet fixing and locating it in the retaining bracket.  
Ensure that the O ring seal is in place.
5. Reconnect the pressure sensing pipe to the fan and
6. Reconnect the fan electrical leads.
7. Refit the boiler sealing panel.
8. Refit the boiler front panel.
9. Turn on the gas supply at the gas service cock.
10. Reconnect the electrical supply.

secure both pipes to the manifold block with the clamping plate.

**IMPORTANT.** Ensure the boiler sealing panel is correctly fitted and that a good seal is made.

**Note.** *The fan and burner pressure sensing pipes must be tested for gas soundness*

**57 BURNER PRESSURE CHECK**

After any servicing, reference should be made to Table 2, page 3 (or the data plate), which quote details of the burner pressures for the boiler models.

The burner pressure should be checked against these values and adjusted accordingly - refer to 'Initial Lighting', Frame 47.

If the burner pressure is very low check the fan pressure - refer to Fault Finding Frame 82.

**REPLACEMENT OF COMPONENTS****58 GENERAL****WHEN REPLACING ANY COMPONENT**

1. Isolate the electricity supply
2. Turn off the gas supply.
3. Remove the boiler front panel and sealing panel - refer to Frames 12 and 52.

**IMPORTANT.** When work is complete the sealing panel must be correctly fitted, ensuring that a good seal is made.

**Note.**

*In order to assist fault finding, the control box printed circuit board is fitted with three indicator lights which represent the following boiler conditions - refer to Frame 72.*

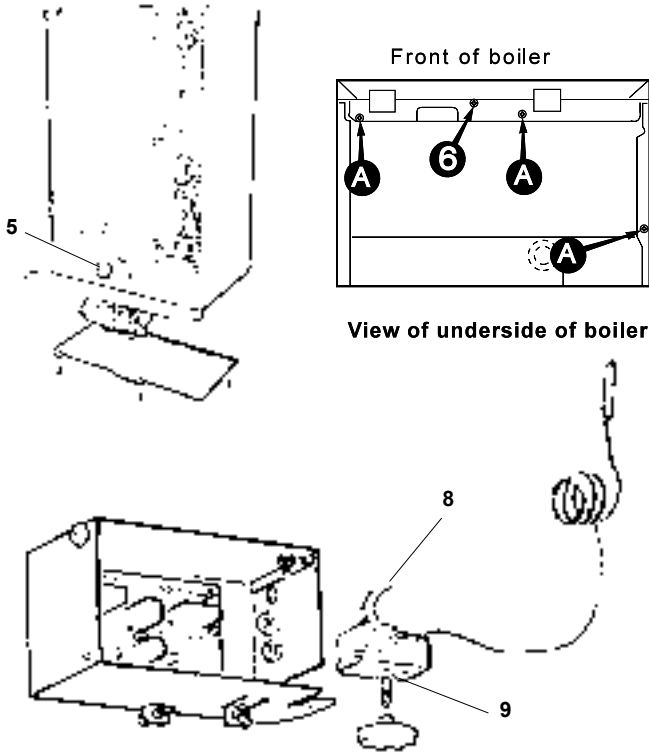
LED 2    *Lockout*

LED 3    *Fan on*

LED 4    *Mains electricity on*

**THE BOILER MUST NOT BE OPERATED IF THE SEALING PANEL IS NOT FITTED.**

### 59 CONTROL THERMOSTAT REPLACEMENT



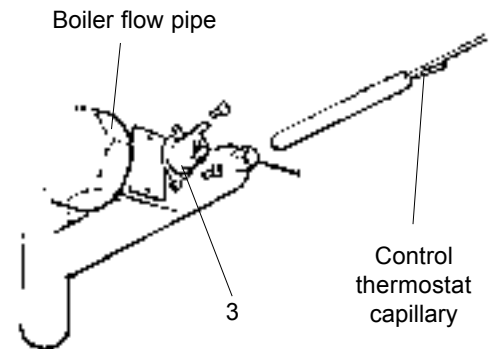
Refer also to Frame 10 - 'Boiler exploded view' and Frame 37 'Pictorial wiring.'

1. Refer to Frame 58.  
**Note.** *The sealing panel need not be removed.*
2. Remove the split pin and withdraw the thermostat phial from the pocket - refer to Frame 60.
3. Release the thermostat capillary from its retaining clips.
4. Remove the boiler bottom panel.
  - a. Undo the three retaining screws.
  - b. Push the panel backward then to the right to withdraw it from the boiler.
5. Pull off the thermostat knob.
6. Undo the control box retaining screw.
7. Push the control box back then drop the front of the box. If access is restricted pull the control box forward and remove.
8. Disconnect the thermostat electrical leads.
9. Undo the retaining nut and withdraw the thermostat.
10. Fit the new thermostat and reassemble in reverse order, ensuring that the thermostat capillary is correctly routed.

### 60 OVERHEAT THERMOSTAT REPLACEMENT

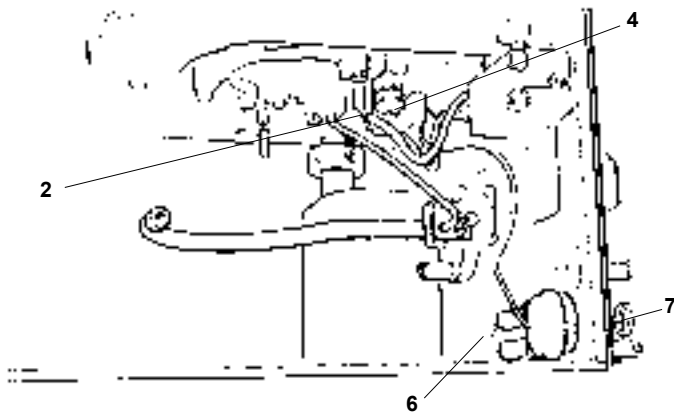
Refer also to Frame 10 - 'Boiler exploded view' and Frame 37 'Pictorial wiring.'

1. Refer to Frame 58.
- Note.** *The sealing panel need not be removed.*
2. Disconnect the overheat thermostat electrical leads.
3. Undo the two securing screws and withdraw the thermostat.
4. Fit the new overheat thermostat and reassemble in reverse order.



### 61 DRY FIRE THERMOSTAT REPLACEMENT

Refer also to Frame 10 'Boiler exploded view'.



**Note.** *Take care not to damage the thermostat capillary when inserting it into the pocket.*

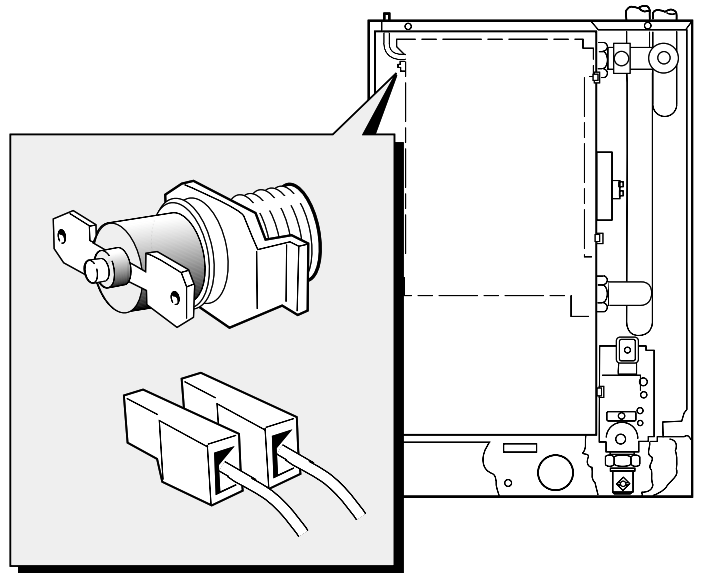
1. Refer to Frame 58.
2. Disconnect the spark electrode leads.
3. Remove the fan assembly - refer to Frame 53.
4. Disengage the thermostat capillary from the retaining clip.
5. Withdraw the thermostat phial from the pocket.
6. Disconnect the thermostat electrical leads.
7. Undo the thermostat retaining nut and withdraw the thermostat.
8. Fit the new dry fire thermostat and reassemble in reverse order.



## 62 FLUE THERMOSTAT REPLACEMENT

Refer also to Frame 10 'Boiler exploded view' and Frame 37 'Pictorial wiring.'

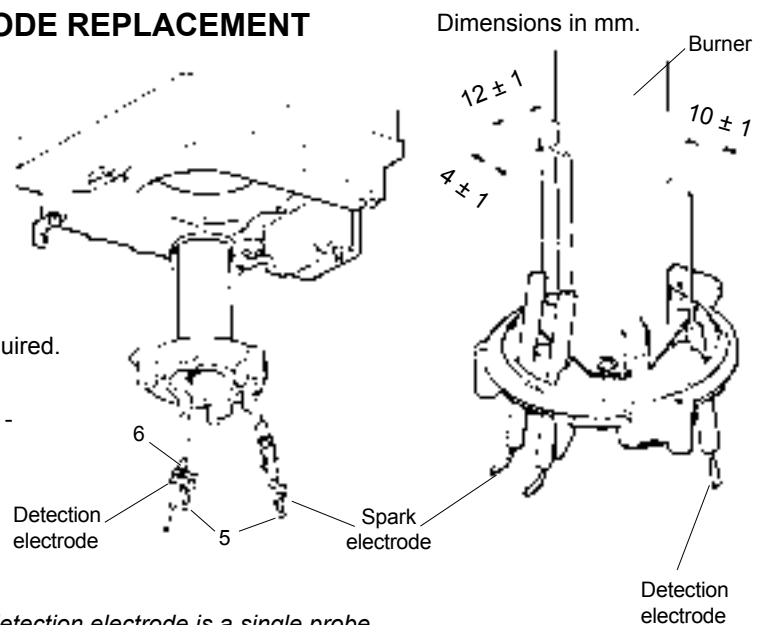
1. Refer to Frame 58.
2. Disconnect the flue thermostat electrical leads.
3. Unscrew the thermostat from the side of the heat exchanger.
4. Fit the new flue thermostat and reassemble in reverse order.



## 63 SPARK AND DETECTION ELECTRODE REPLACEMENT

Refer also to Frame 10 'Boiler exploded view.'

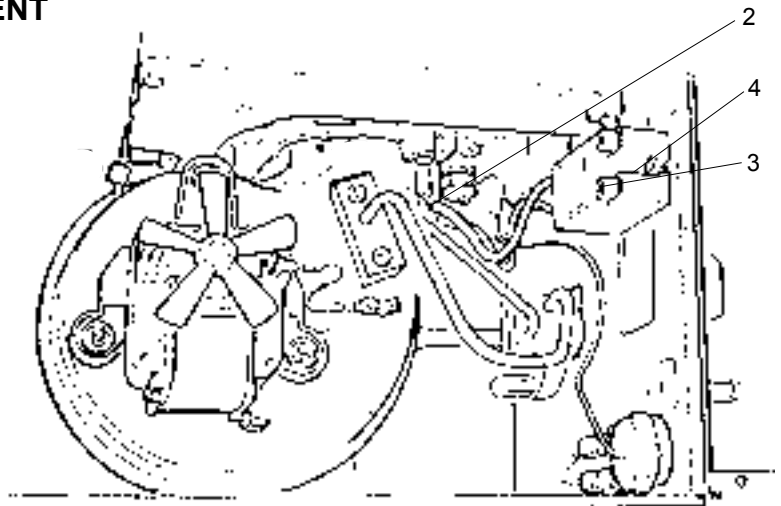
1. Refer to Frame 58.
2. Remove the fan assembly - refer to Frame 53.
3. Remove the burner assembly - refer to Frame 65, steps 3 to 6.
4. Disconnect the electrode leads as required.
5. Undo the electrode securing bracket screws as required.
6. Fit new electrodes as necessary, ensuring that the gaskets are in good condition and sealing correctly - renew as necessary.
7. Check the spark / detection gaps.
8. Reassemble in reverse order.
9. Check the ignition and operation of the burner.



**Note.** The spark electrodes are replaced as a pair; the detection electrode is a single probe.

## 64 SPARK GENERATOR REPLACEMENT

1. Refer to Frame 58.
2. Disconnect the leads from the spark electrodes
3. Disconnect the electrical leads from the spark generator.
4. Undo the single screw fixing on the spark generator
5. Fit the new spark generator and re-assemble in reverse order.
6. Check the ignition and operation of the burner.



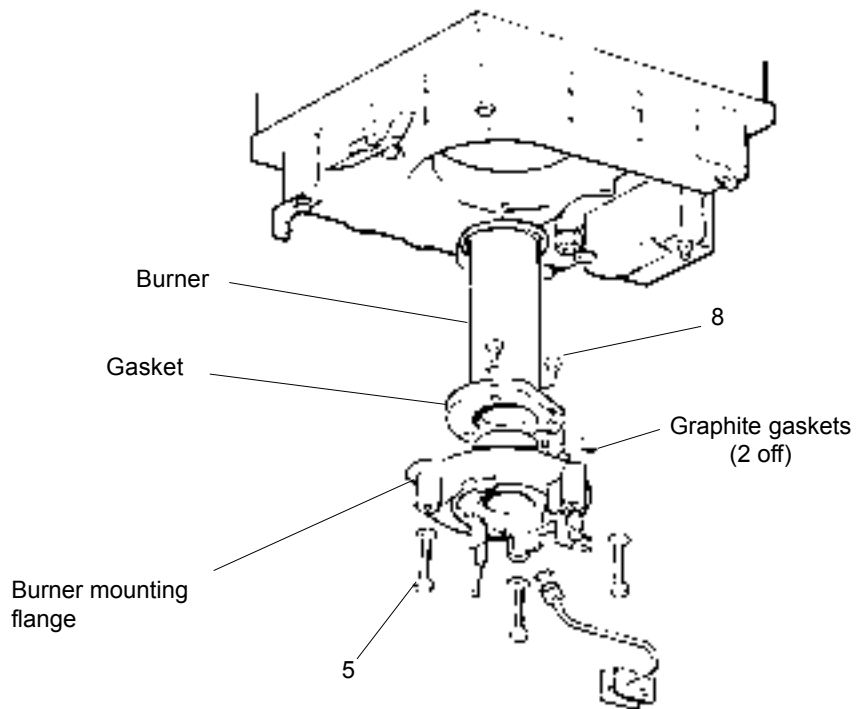
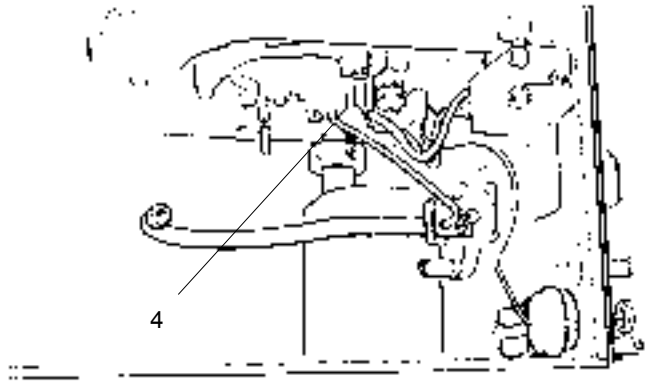
## 65 BURNER REPLACEMENT

1. Refer to Frame 58.
2. Remove the fan assembly - refer to Frame 53.
3. Disconnect the 2 ignition leads and one detection lead from the electrodes.
4. Disconnect the pressure sensing pipe from the burner. Pull the pipe downward to disengage it from the burner mounting plate.
5. Undo the 3 fixing screws securing the burner assembly
6. Withdraw the burner assembly downward and out of the heat exchanger.
7. Remove the spark and detection electrodes - refer to Frame 63.
8. Remove the 3 securing screws and withdraw the burner from the mounting flange.
9. Fit the new burner, replacing any damaged or deteriorating gaskets.

**Note.** There are 2 graphite gaskets under the burner sensor casting. It is **IMPERATIVE** that **BOTH** be replaced before the burner is refitted.

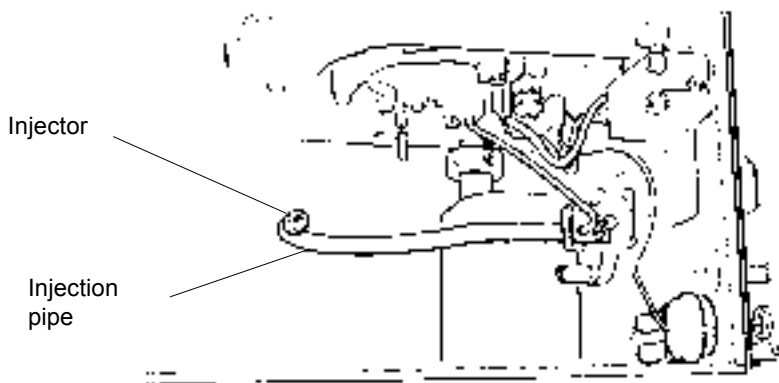
10. Reassemble in reverse order.

**Note.** Check the spark and detection gaps - refer to Frame 63.



## 66 BURNER INJECTOR REPLACEMENT

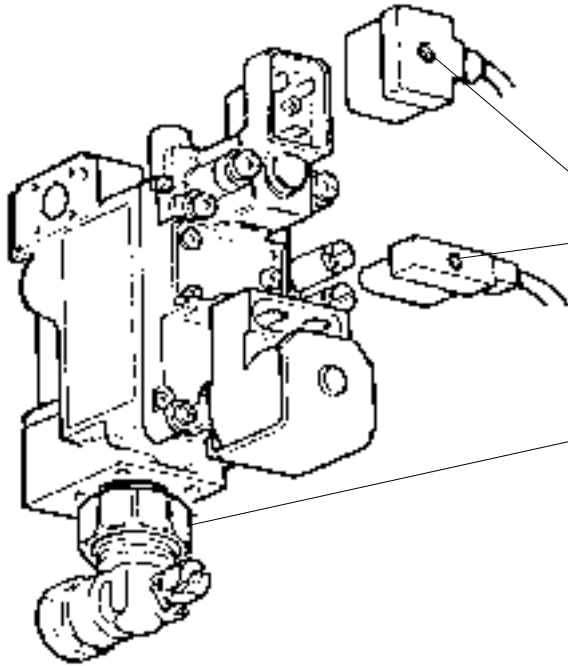
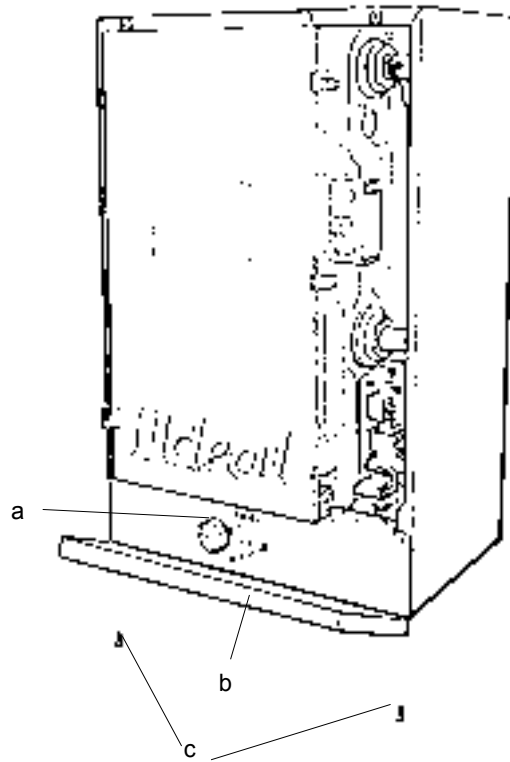
1. Refer to Frame 58.
2. Remove the fan assembly - refer to Frame 53.
3. Unscrew the injector from the gas injection pipe.
4. Fit the new injector using a suitable jointing compound sparingly.
5. Reassemble in reverse order.



## 67 GAS CONTROL VALVE REPLACEMENT

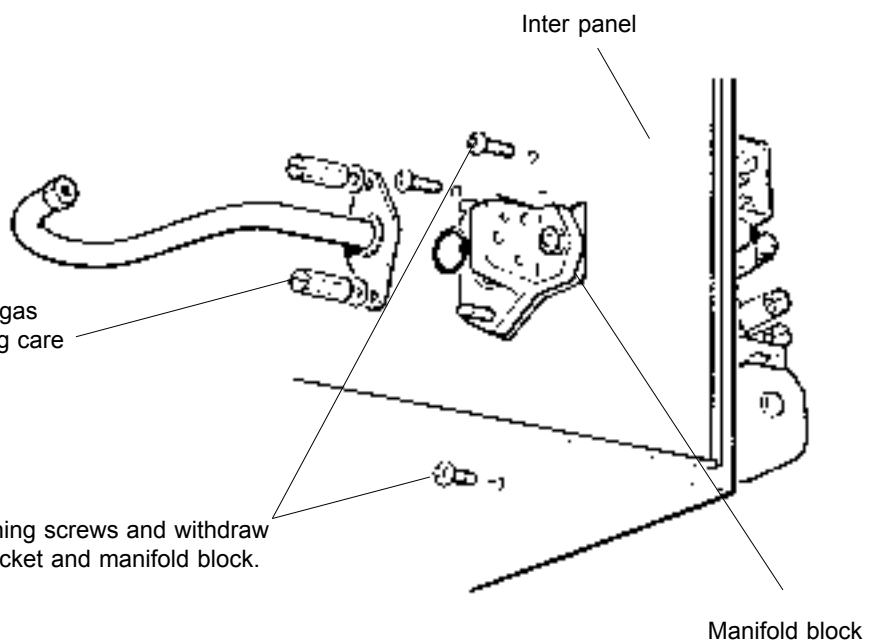
Refer also to Frame 10 - 'Boiler exploded view.'

1. Refer to Frame 58.
2. Remove the casing bottom panel - refer to Frame 59.
3. Remove the control panel.
  - a. Pull off the thermostat knob.
  - b. Undo the control box retaining screw - refer to Frame 59.
  - c. Supporting the control panel, undo the two retaining screws and withdraw the panel.
4. Remove the fan unit - refer to Frame 53.
5. Disconnect the burner pressure sensing pipe - refer to Frame 65, step 4.



6. Undo the two retaining screws and unplug the electrical leads from the gas valve.

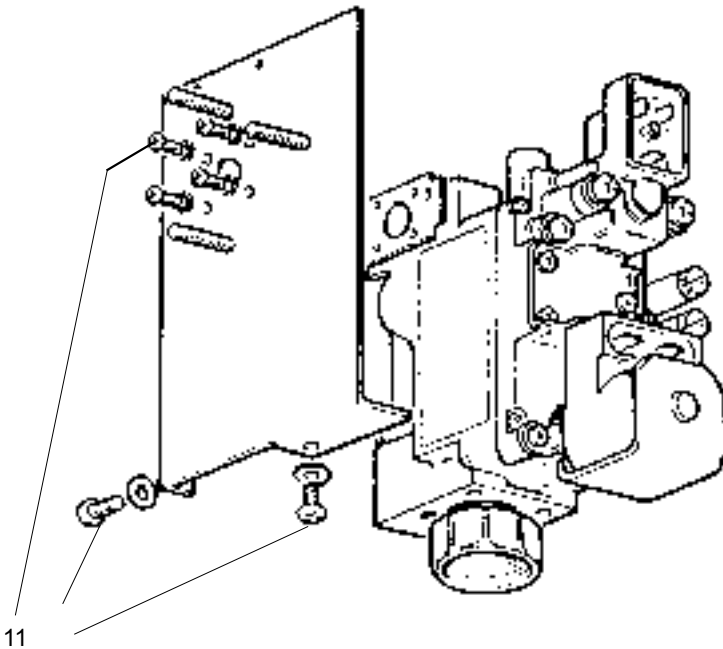
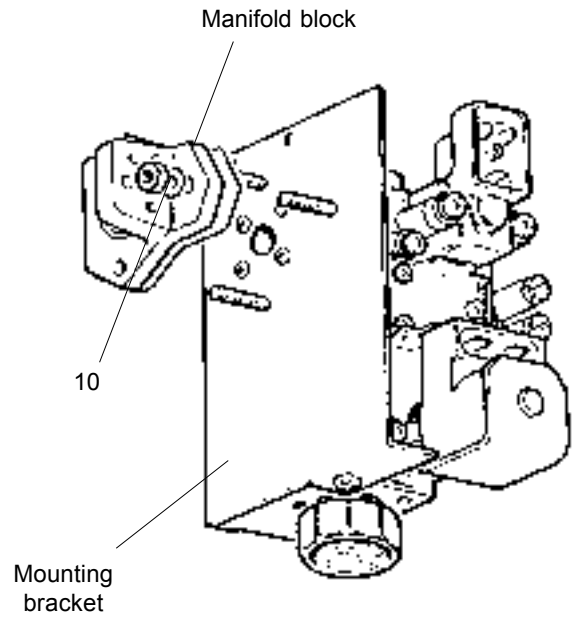
7. Undo the gas cock union connection.



8. Undo the two extended nuts retaining the gas injection pipe and withdraw the pipe, taking care not to lose the O ring seal.
9. Supporting the valve, undo the three retaining screws and withdraw the gas valve, complete with mounting bracket and manifold block.

## 68 GAS CONTROL VALVE REPLACEMENT - *continued*

10. Undo the retaining nut and withdraw the manifold from the gas valve mounting bracket.
11. Undo the 6 retaining screws and separate the gas valve from the mounting bracket.
12. Transfer the bracket and manifold to the new gas valve, ensuring that any damaged or deteriorating gaskets are replaced.
13. Transfer the gas cock union to the new gas valve, using a suitable approved jointing compound, sparingly.



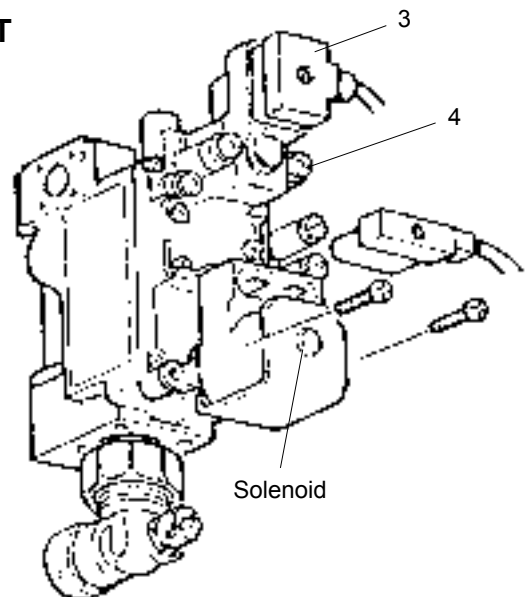
14. Fit the new gas valve in reverse order, ensuring that the gas injection pipe O ring seal is refitted.
15. Check the operation of the new gas valve.
16. Operate the boiler for at least 20 minutes and set the burner pressure to the value shown on the data plate - refer to Frame 47.

## 69 GAS CONTROL VALVE SOLENOID REPLACEMENT

Refer also to Frame 10 - 'Boiler exploded view'.

To replace either solenoid follow steps 1 - 6.

1. Refer to Frame 58.  
**Note.** *The sealing panel need not be removed.*
2. Remove the control panel - refer to Frame 67.
3. Undo the retaining screw and unplug the electrical lead from the solenoid.
4. Undo the 2 securing screws and remove the solenoid.
5. Fit the new solenoid and re-assemble in reverse order.
6. Check the operation of the new solenoid.

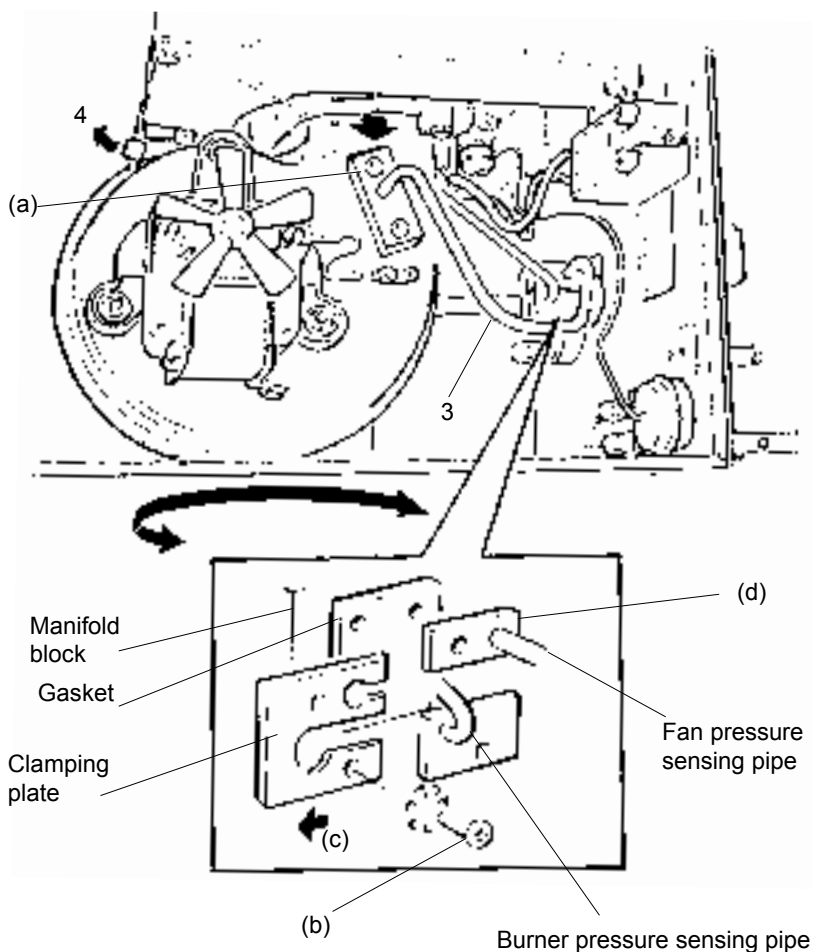


## 70 FAN UNIT REPLACEMENT

Refer also to Frame 10 - 'Boiler exploded view'.

1. Refer to Frame 58.
2. Disconnect the electrical leads from the fan.
3. Disconnect the pressure sensing pipe from the fan.
  - a. Undo the 2 screws securing the pipe to the fan.
  - b. Undo the 2 screws securing the pipe clamping plate to the manifold block.
  - c. Withdraw the clamping plate.
  - d. Withdraw the pipe from the boiler.
4. Press the retaining bracket lever upward and rotate the fan body to the right to disengage the fan scroll from the bracket. Continue rotating to disengage the bayonet fixing on the fan outlet.
5. Withdraw the fan.
 

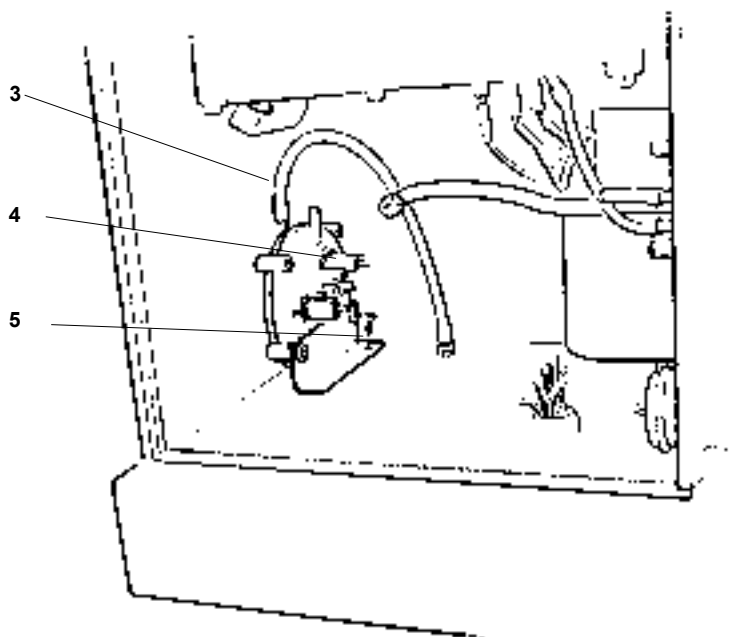
**Note.** Always take care when handling the fan in order to preserve the balance of the impeller.
6. Fit the new fan in reverse order, ensuring that:
  - a. The O ring seal is correctly refitted.
  - b. The sensing pipe clamping plate is correctly refitted.
7. Check the operation of the new fan.



## 71 PRESSURE SWITCH REPLACEMENT

Refer also to Frame 10 - 'Boiler exploded view'.

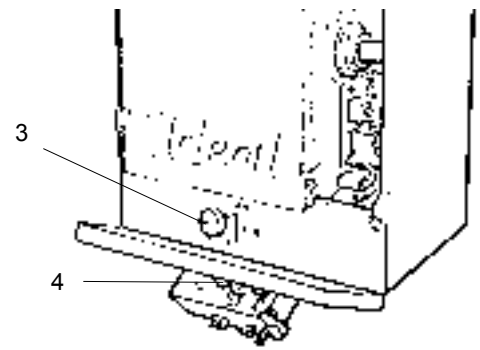
1. Refer to Frame 58.
2. Remove the fan unit - refer to Frame 53.
3. Disconnect the pressure sensing pipe from the switch, noting its position - tapping P1(+).
4. Disconnect the electrical leads from the switch, noting their position. Connections are made to terminals 1 and 3.
5. Undo the securing screw and withdraw the switch.
6. Fit the new switch in reverse order
7. Check the operation of the new switch - refer to Frame 51.



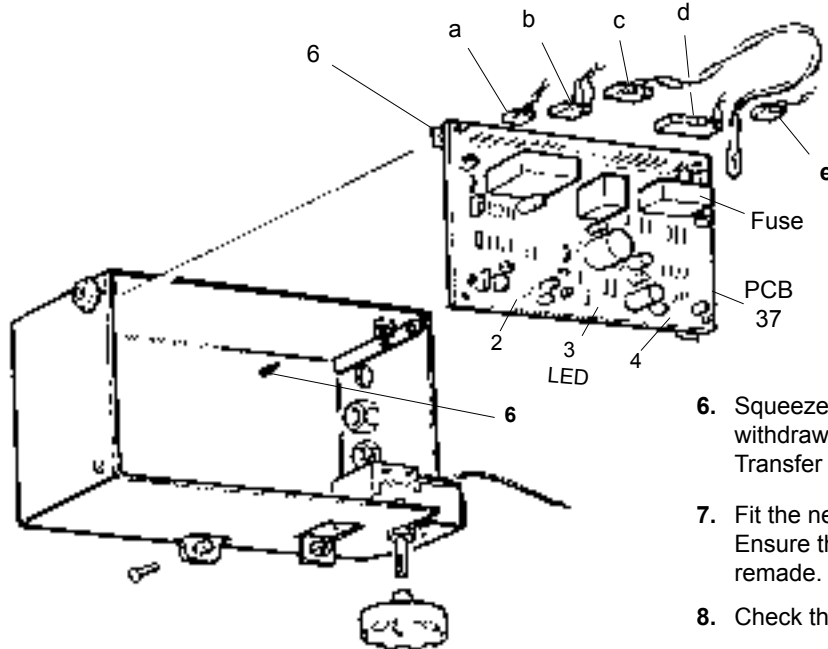
**72 PRINTED CIRCUIT BOARD REPLACEMENT**

Refer also to Frame 10 - 'Boiler exploded view'. & Frame 37 - 'Pictorial wiring'.

1. Refer to Frame 58. **Note.** *The sealing panel need not be removed.*
2. Remove the boiler bottom panel - refer to Frame 59, step 4.
3. Open the controls pod door and pull off the thermostat knob.
4. Undo the control box securing screw and swing the box into the 'servicing' position. If access is restricted pull the box forward and free from the boiler - refer to Frame 59.



5. Unplug the following leads from the PCB:
  - a. Gas valve lead
  - b. Flame detection lead
  - c. 'Burner on' neon lead
  - d. Fan lead
  - e. Mains input lead



6. Squeeze the retaining tabs on the two location pins and withdraw the PCB, complete with the other 2 pins. Transfer these pins to the new PCB..
7. Fit the new PCB and re-assemble in reverse order. Ensure that all electrical connections are correctly remade.
8. Check the operation of the boiler.

**73 'BURNER ON' NEON REPLACEMENT**

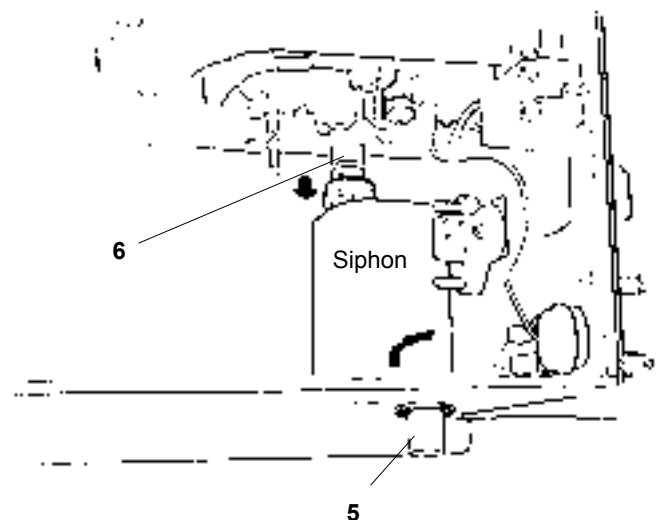
Refer also to Frame 37 - Pictorial Wiring.

1. Refer to Frame 58. **Note.** *The sealing panel need not be removed.*
2. Swing the control box into its 'servicing' position - refer to Frame 72, steps 1-4 .
3. Unplug the 'Burner on' neon lead from the PCB - refer to Frame 72.
4. Prise the neon out of the lens holder.
5. Fit the new neon and re-assemble in reverse order.

**74 CONDENSATE SIPHON REPLACEMENT**

Refer also to Frame 10 - 'Boiler exploded view'.

1. Refer to Frame 58.
2. Remove the fan unit - refer to Frame 53.
3. Remove the gas injection pipe - refer to Frame 67, step 8.
4. Disconnect the spark and detector leads - refer to Frame 63.
5. Disconnect the condensate drain from the bottom of the boiler.
6. Undo the siphon union connection.
7. Push the siphon down slightly to clear the union, tilt forward and withdraw it from the boiler.
8. Fit the new siphon and reassemble in reverse order, replacing any damaged or deteriorating sealing gasket.

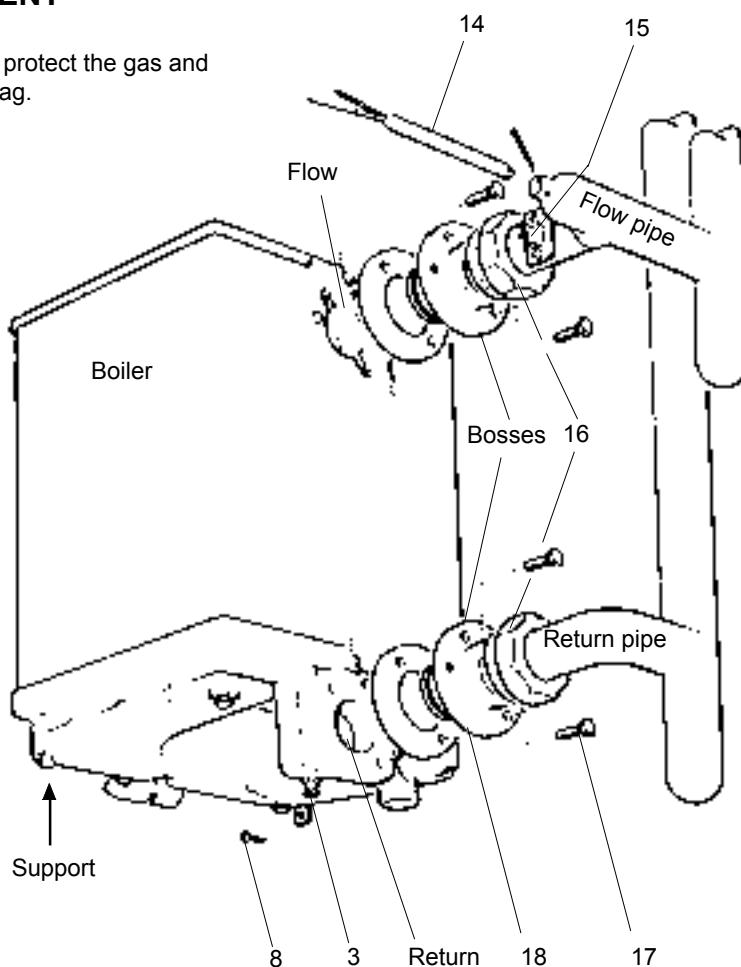


## 75 HEAT EXCHANGER REPLACEMENT

**IMPORTANT.** Before starting the removal procedure, protect the gas and electrical controls with a waterproof sheet or plastic bag.

Refer also to Frame 10 - 'Boiler exploded view'.

1. Refer to Frame 58.
2. Drain down the system.
3. Drain the heat exchanger via the drain point, taking care to protect electrical components from water.
4. Remove the fan assembly - refer to Frame 53.
5. Remove the burner assembly - refer to Frame 65.
6. Remove the gas injection pipe - refer to Frame 67.
7. Remove the spark generator - refer to Frame 64.
8. Remove the back retaining screw.
9. Withdraw the dry fire thermostat phial from its pocket - refer to Frame 61.
10. Remove the condensate siphon - refer to Frame 74.
11. Disconnect the flue gas sampling tube from the top of the heat exchanger.
12. Remove the flue thermostat - refer to Frame 62.
13. Disconnect the boiler flow and return pipes from the system pipework close to the boiler.



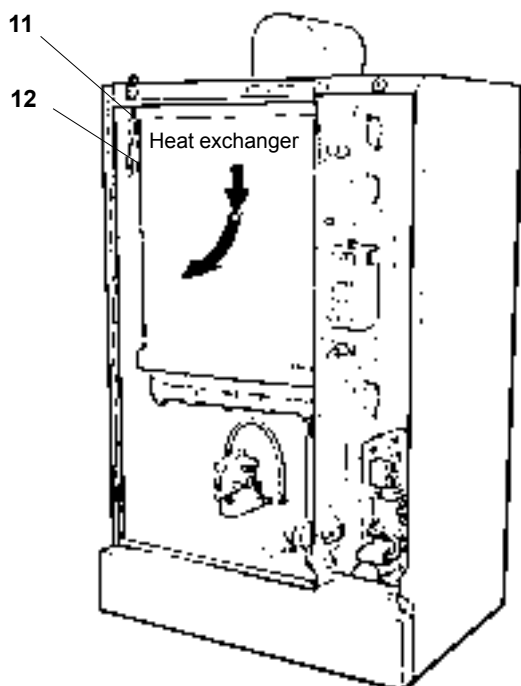
14. Remove the control thermostat phial from its pocket - refer to Frame 59.
15. Disconnect the overheat 'stat electrical leads.
16. Undo the flow and return pipe union nuts and pull the pipes clear of the flow and return bosses.
17. Undo the four flow and return boss retaining screws.
18. While supporting the heat exchanger from below, withdraw the bosses from the flow and return tappings. If necessary, the bosses may be 'jacked' out by screwing the retaining screws into the two threaded holes in each flange. Check the O rings for damage and replace if necessary.
19. Lower the heat exchanger to disengage from the flue connector tube, and withdraw it from the boiler.
20. Fit the new heat exchanger and re-assemble in reverse order.

**IMPORTANT**

The flow and return bosses are not common and **MUST** be refitted in their correct positions.

The FLOW connection boss has a COARSE thread.

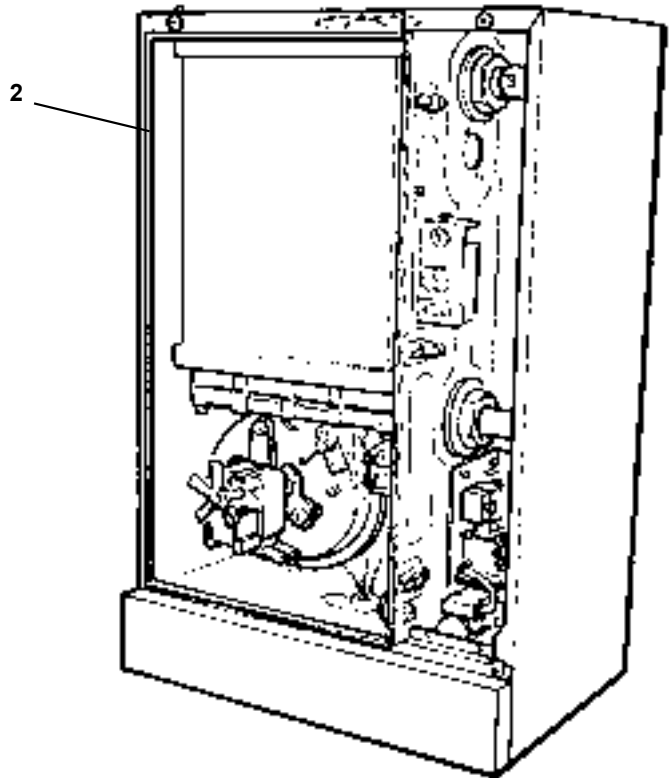
The RETURN connection boss has a FINE thread.



**76 BOILER SEALING PANEL SEAL REPLACEMENT**

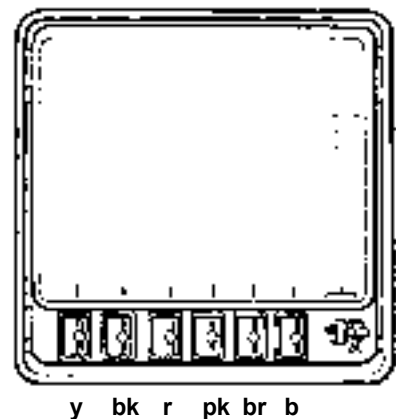
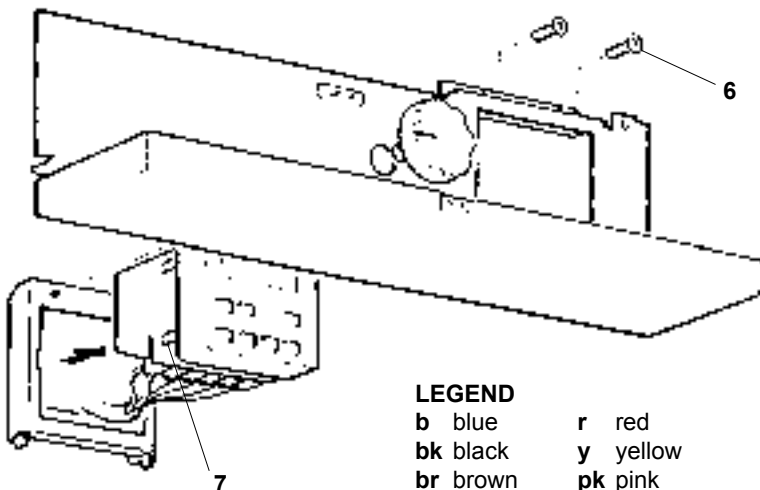
1. Refer to Frame 58.
2. Remove the old seal from the casing and thoroughly clean the casing surfaces.
3. Fit the new self adhesive seals.
4. Re-assemble in reverse order.

**Note.**  
 Ensure that the boiler sealing panel is correctly seated, compressing the sealing strip to make an airtight joint.



**77 PROGRAMMER REPLACEMENT (IF FITTED)**

1. Refer to Frame 58.
2. Remove the casing front panel - refer to Frame 12.
3. Remove the boiler bottom panel - refer to Frame 59, step 4.
4. Disconnect the six leads from the back of the programmer, noting their positions.
5. Remove the control panel - refer to Frame 67, step 3.
6. Undo the two retaining screws and withdraw the programmer, complete with mounting bracket, from the control panel.
7. Compress the clips on the sides of the programmer and withdraw it from the retaining bracket.
8. Fit the new programmer and reassemble in reverse order.
9. Check the operation of the new programmer.

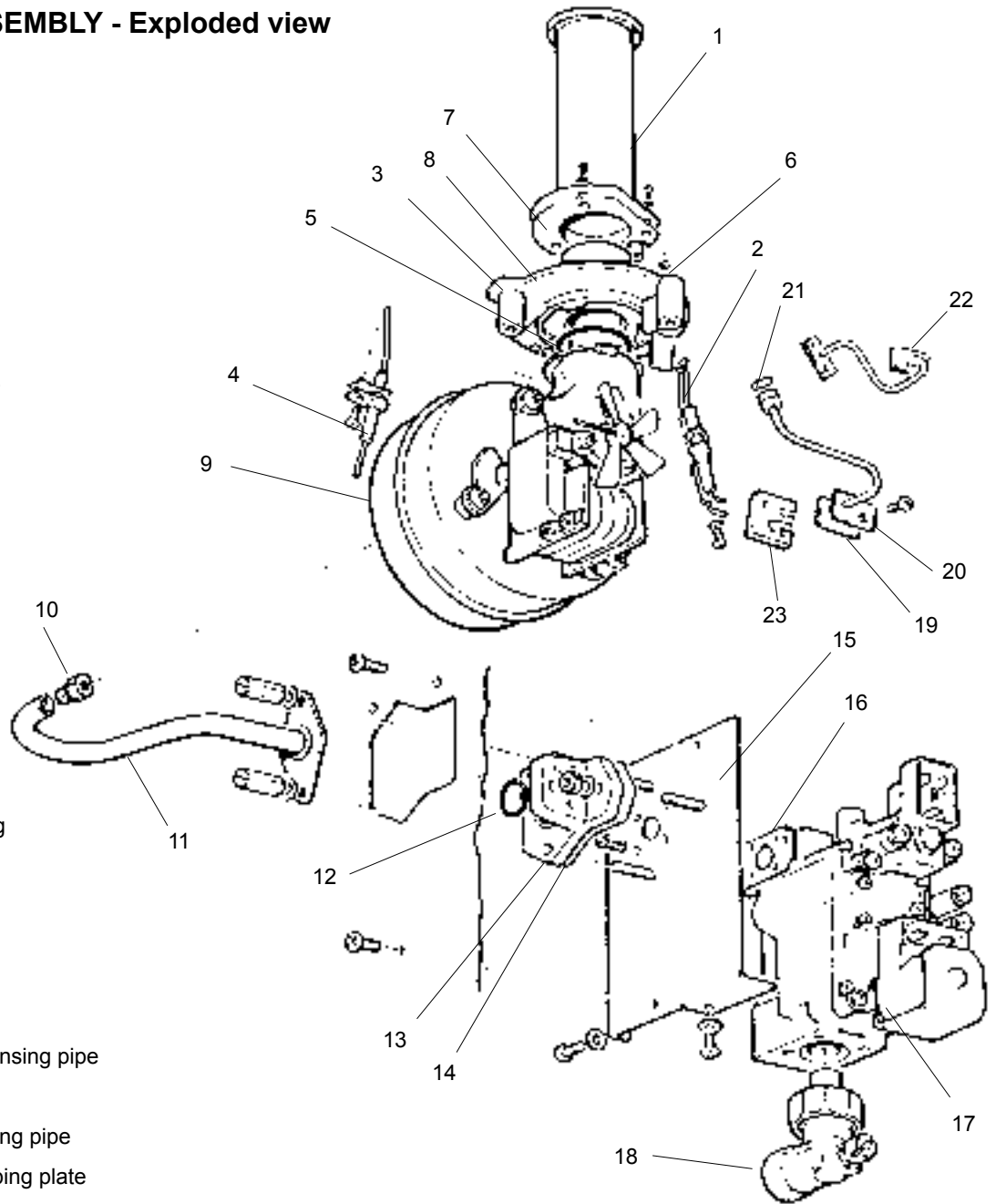




**78 BURNER ASSEMBLY - Exploded view**

**LEGEND**

- 1. Burner
- 2. Spark electrode
- 3. Burner mounting flange
- 4. Detection electrode
- 5. O ring
- 6. Gasket
- 7. Gasket
- 8. O ring (not shown)
- 9. Fan
- 10. Burner injector
- 11. Gas injection pipe
- 12. O ring
- 13. Manifold block
- 14. Gasket
- 15. Gas valve mounting bracket
- 16. Gasket
- 17. Gas valve
- 18. Gas service cock
- 19. Gasket
- 20. Burner pressure sensing pipe
- 21. O ring
- 22. Fan pressure sensing pipe
- 23. Sensing pipe clamping plate

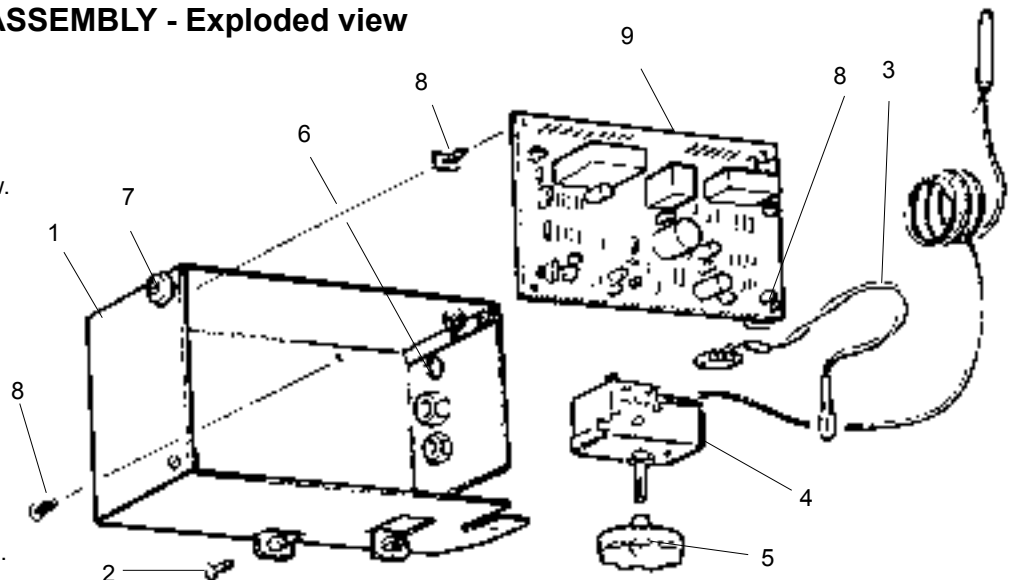


SERVICING

**79 CONTROL BOX ASSEMBLY - Exploded view**

**LEGEND**

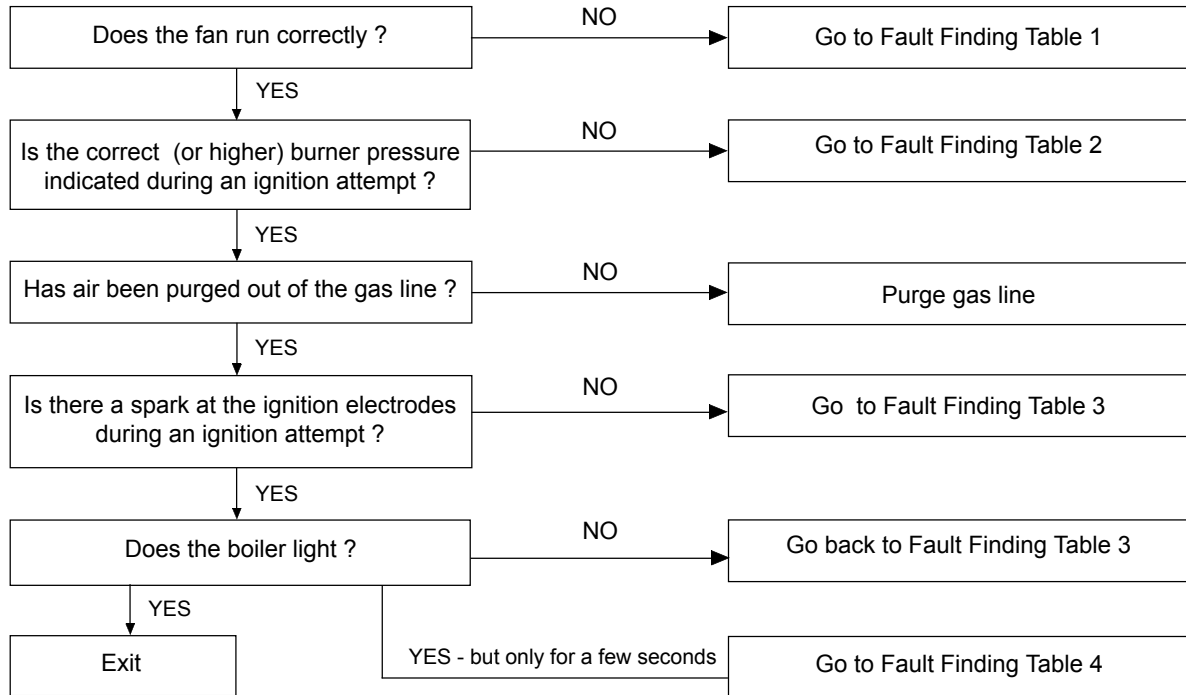
- 1. Control box.
- 2. Control box retaining screw.
- 3. 'Burner on' neon.
- 4. Boiler control thermostat.
- 5. Thermostat knob.
- 6. Cable entries.
- 7. Control box mounting pivots.
- 8. Printed circuit board mounting posts (4).
- 9. Printed circuit board no. 37.



**80 FAULT FINDING CHART**

**MAIN MENU**

**NB: Start the boiler from cold**



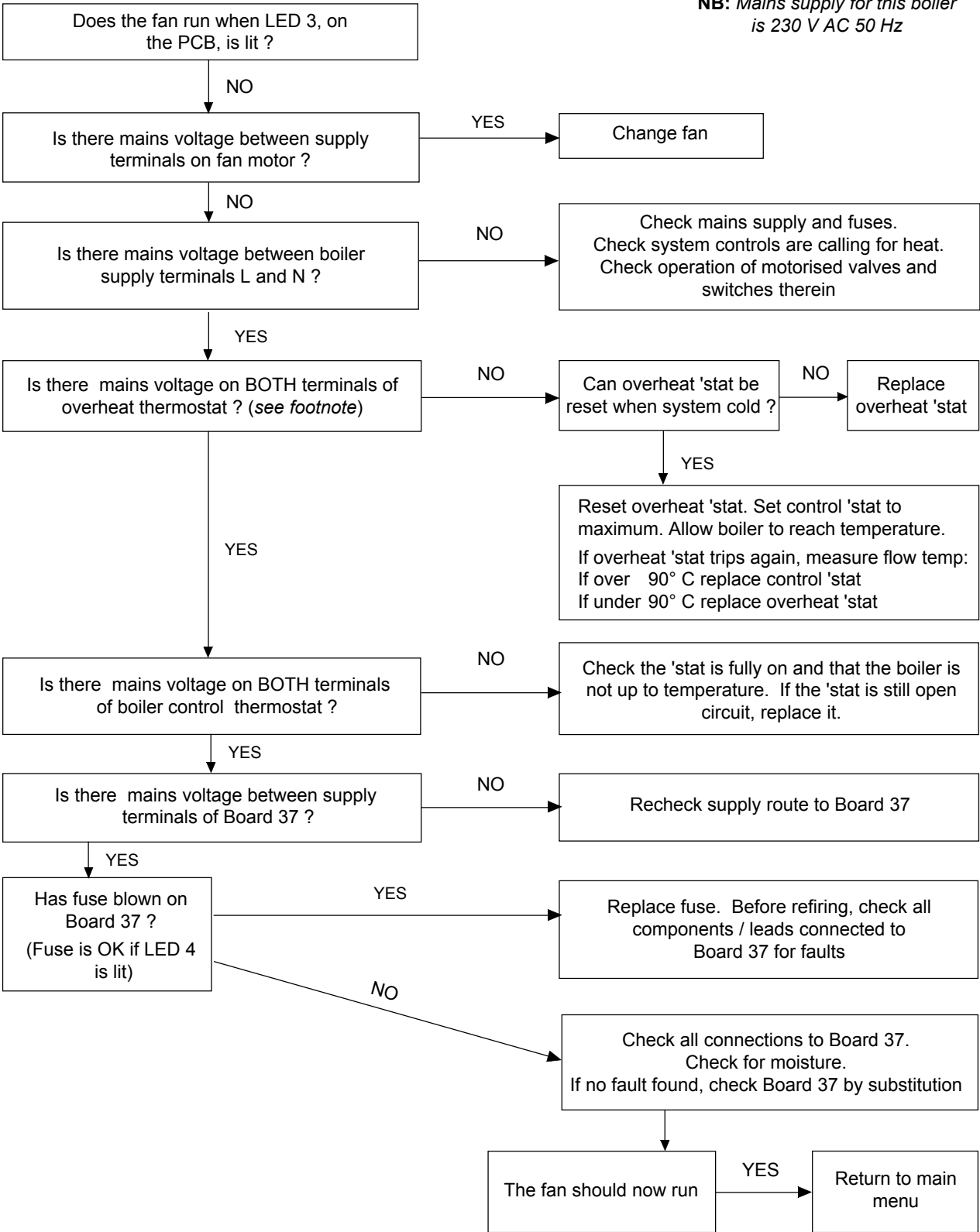
**Note.**

The correct sequence of operation during ignition is as follows:-

1. Mains to boiler with all boiler thermostats calling for heat.
2. If the fuse on PCB 37 is OK, LEDs 2, 3 and 4 illuminate and the fan starts.
3. After 8 seconds LED 2 goes OFF, the spark starts and the gas valve opens.
4. If a flame is detected the spark stops, LED 2 stays OFF and the 'Burner on' neon lights.
5. If a flame is not detected the spark stops, the gas valve closes, the fan continues to run and LED 2 comes ON.

**81 FAULT FINDING CHART 1 - Fan Not Running Correctly**

**NB:** Mains supply for this boiler is 230 V AC 50 Hz



**FOOT NOTE.**

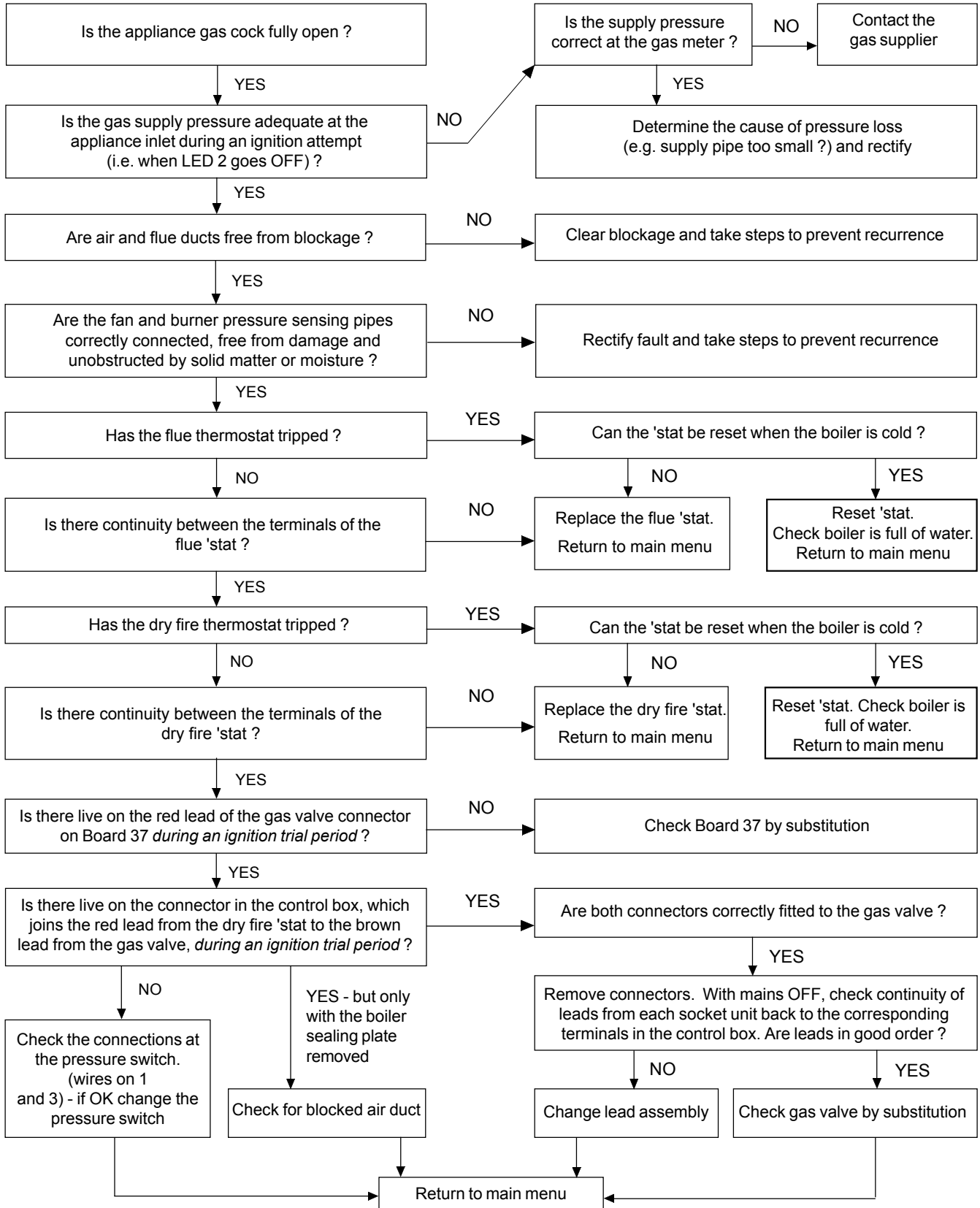
Presence of live supply on a terminal may be checked with a multimeter set to the appropriate AC range (apply the other probe of the meter to Mains neutral, e.g. on terminal N of the incoming supply).

**82 FAULT FINDING TABLE 2 - Burner Pressure Incorrect or Zero**

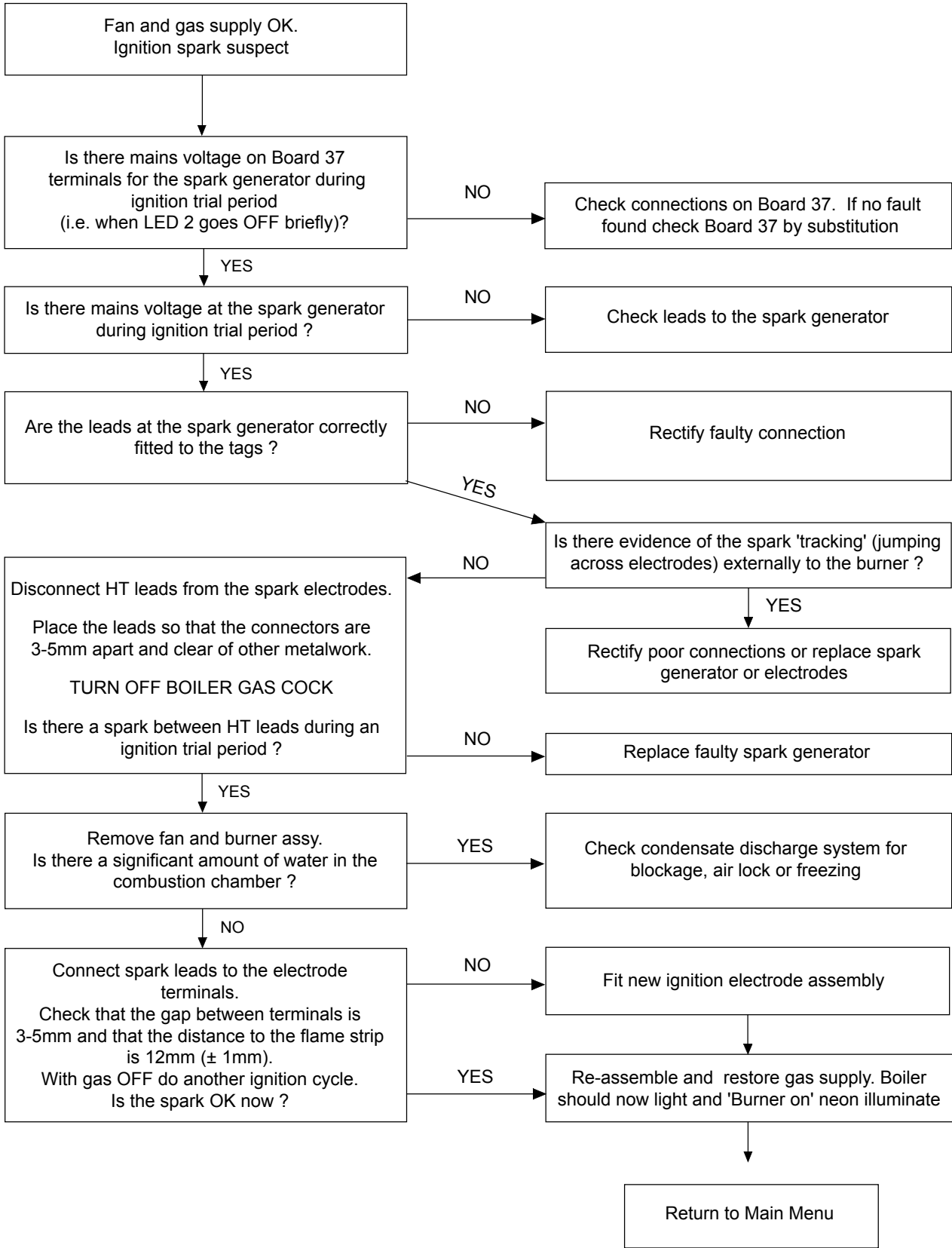
- Notes.** 1. The burner pressure is regulated by the gas valve, according to the air flow generated by the fan, and on cold ignition should be slightly higher than the value quoted on the Data Plate.  
 2. Equilibrium fan pressures should be as follows: ( $\pm 0.2$  mbar) with 300mm flue length

Boiler	Pressure mbar	Boiler	Pressure mbar	Boiler	Pressure mbar
FF 30	1.6	FF 50	1.5	FF 70	0.7
FF 40	1.7	FF 60	1.6	FF 80	1.3

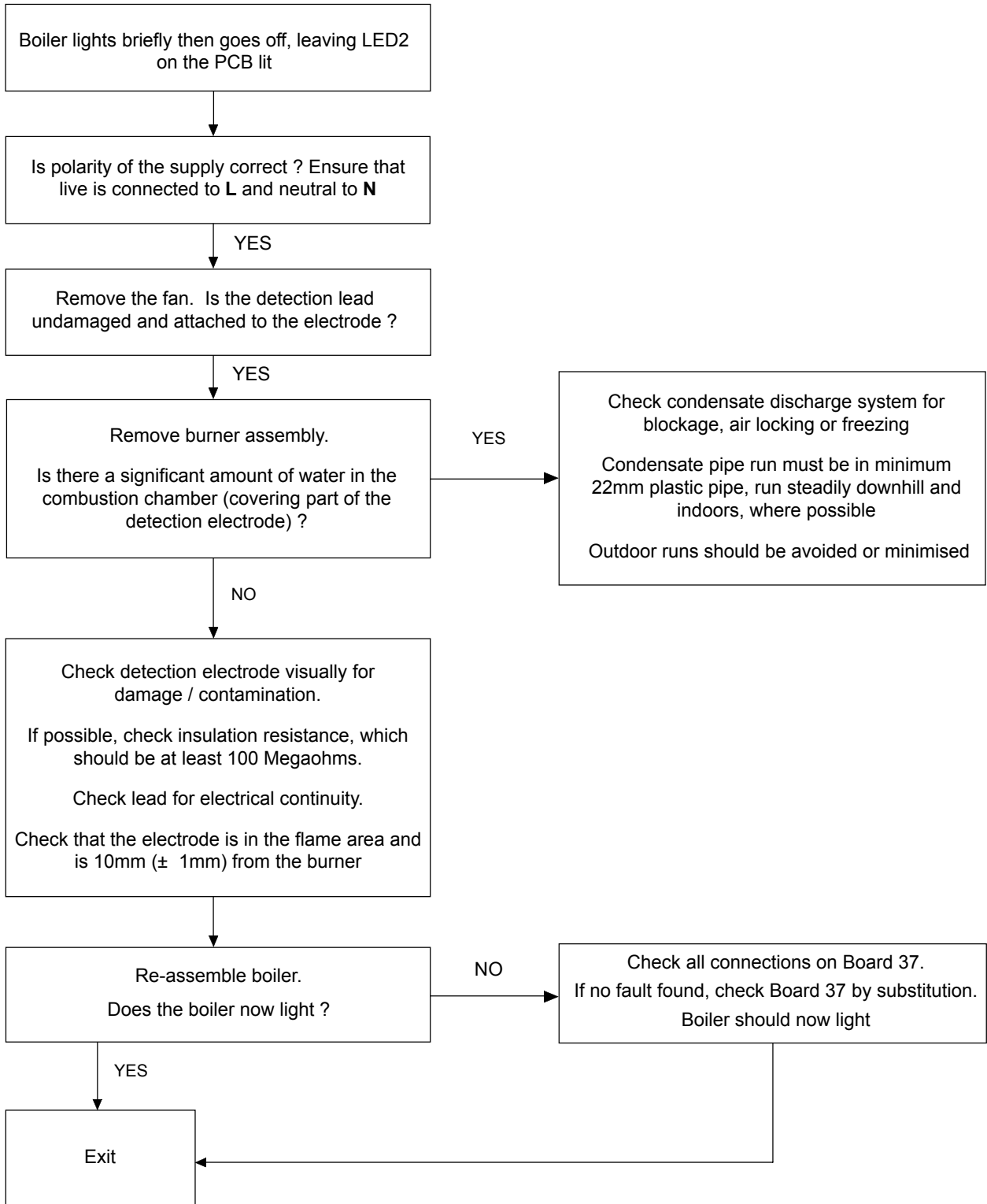
To check the pressure connect an inclined gauge manometer to test points (G) and (I) - refer to Frame 47



83 FAULT FINDING TABLE 3 - Spark Generation and Ignition



**84 FAULT FINDING TABLE 4 - Flame Detection**



**FAULT FINDING**

## SHORT LIST OF PARTS

When ordering spares please quote:

1. Boiler model.
2. Appliance G.C. number.
3. Description.
4. Quantity.
5. Product No.

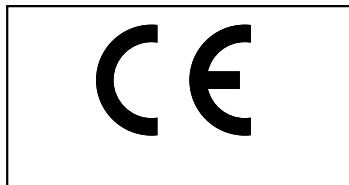
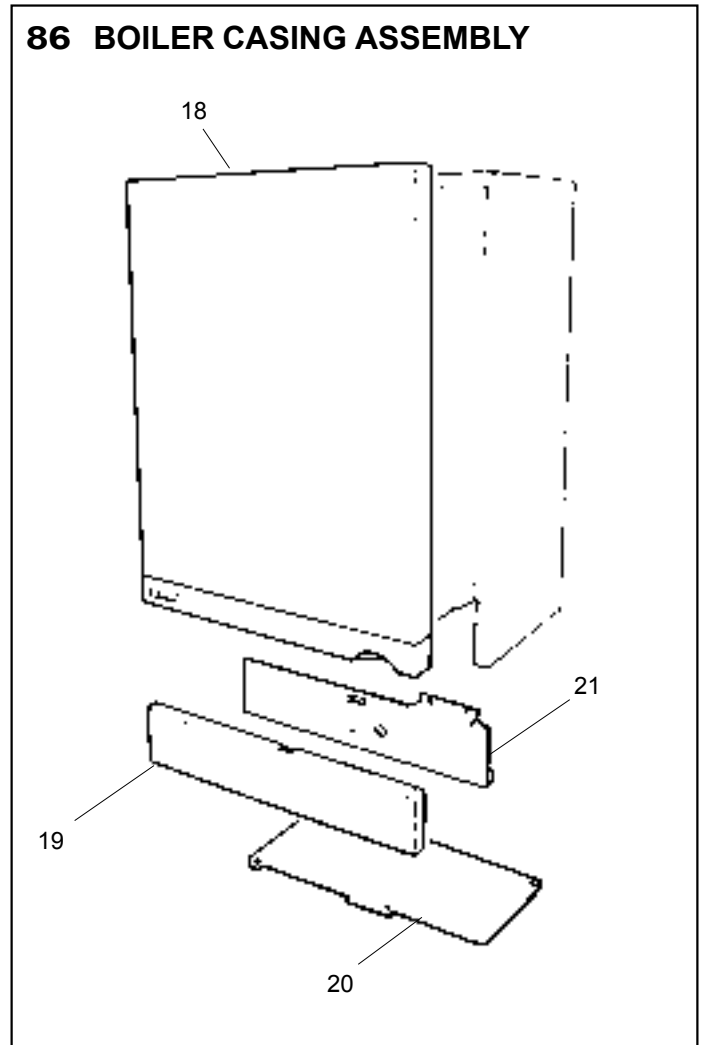
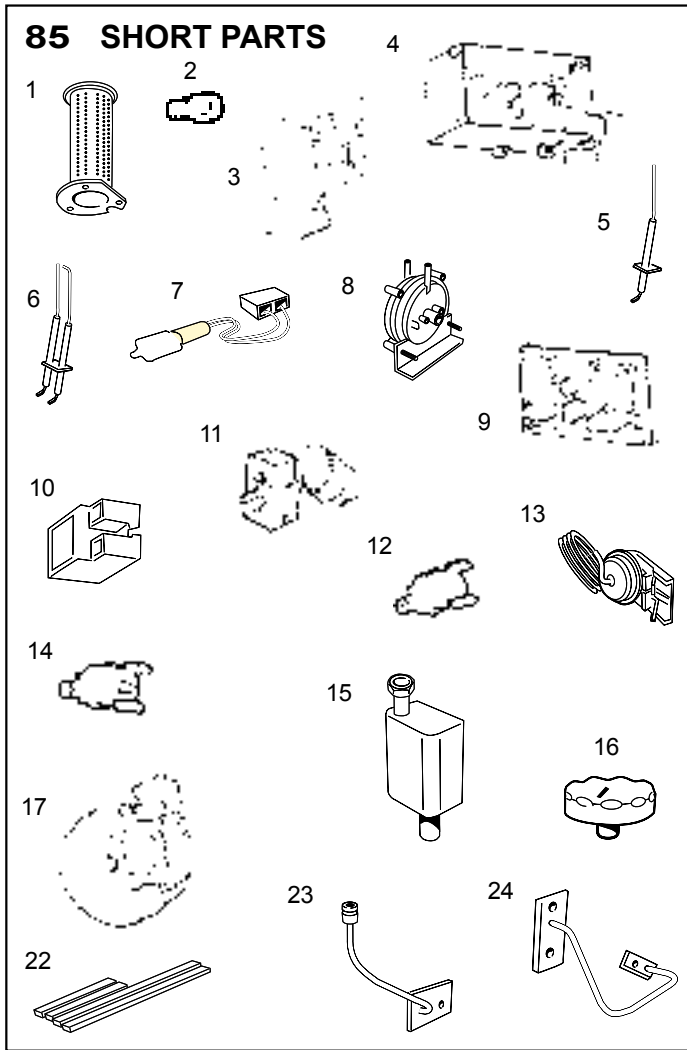
The following are parts commonly required as replacements, due to damage or expendability. Their failure or absence is likely to affect the safety and/or performance of this appliance.

The list is extracted from the British Gas List of Parts which contains all available spare parts.

The full list is held by British Gas, **Caradon Ideal** distributors and merchants.

Key No.	G.C. Part No.	Description	Qty.	Product No.
1	.	Main burner		
	.	Bray No. AB 6600 FF 30	1	076 527
	.	Bray No. AB 6603 FF 40	1	076 753
	.	Bray No. AB 6601 FF 50	1	076 754
	.	Bray No. AB 6604 FF 60	1	076 755
	.	Bray No. AB 6602 FF 70 - 80	1	076 756
2		Main burner injector		
	398 043	Bray Cat. 10 size 800 FF 30	1	004 858
	393 050	Bray Cat. 10 size 1150 FF 40	1	003 205
	390 058	Bray Cat. 10 size 1600 FF 50	1	003 362
	398 059	Bray Cat. 10 size 1700 FF 60	1	004 305
	.	Bray Cat. 10 size 3000 FF 70	1	112 935
	.	Bray Cat. 10 size 2700 FF 80	1	112 936
3	.	Gas control valve - SIT NOVAMIX 0828110	1	076 757
4	.	Control box, including control thermostat, printed circuit board and 'Burner on' neon	1	111 781
5	.	Flame detection electrode and gasket MORGAN MATROCK No. SKNP 2505	1	076 758
6	.	Spark electrode - MORGAN MATROCK No. SKNP 2504 and gasket	1	076 816
7	.	'Burner on' neon assembly - READILEADS	1	138 139
8	.	Pressure switch - SIT.0380.048	1	112 417
9	.	Automatic ignition printed circuit board - PACTROL PCB No. 37	1	111 748
10	.	Spark generator assembly - PACTROL	1	112 216
11	.	Control thermostat - RANCO K36P1331	1	111 853
12	382 873	Overheat thermostat - ELMWOOD 2455 RM-98727	1	076 817
13	.	Dry fire thermostat - RANCO LM7 P5077	1	111 854
14	.	Flue thermostat - ELMWOOD	1	138 097
15	.	Siphon assembly - ALTEKNIC	1	076 819
16	.	Control thermostat knob	1	111 904
17	.	Fan assembly - SIFAN No. WFFB 0226 018 FF 30	1	138 125
	.	SIFAN No. WFFB 0226 018 FF 40	1	138 126
	.	SIFAN No. WFFB 0226 019 FF 50	1	138 127
	.	SIFAN No. WFFB 0226 019 FF 60	1	138 128
	.	SIFAN No. WFFB 0226 020 FF 70	1	138 129
	.	SIFAN No. WFFB 0226 020 FF 80	1	138 130
18	.	Boiler front panel, painted white with bottom trim	1	112 584
19	.	Controls pod door, painted white	1	076 820
20	.	Boiler bottom panel, painted white	1	076 821
21	.	Control panel, painted white	1	076 822
22	.	Casing seals Long (sides)	1	076 823
	.	Short (top, bottom)	1	076 823
23	.	Burner sensing pipe	1	076 824
24	.	Fan pressure sensing pipe	1	076 902

## SHORT LIST OF PARTS



**CARADON IDEAL Ltd.** pursues a policy of continuing improvement in the design and performance of its products. The right is therefore reserved to vary specification without notice.

### Technical Training

The Caradon Ideal Technical Training Centre offers a series of first class training courses for domestic, commercial and industrial heating installers, engineers and system specifiers. For details of courses please ring:

..... Alexa Beadle on 01482 498 432

### CARADON IDEAL Ltd,

P.O. Box 103,  
National Avenue,  
Kingston upon Hull,  
HU5 4JN.

Telephone: 01482 492 251

Fax: 01482 448 858.

Registration No. London 322 137.

Registered Office:

National Avenue, Kingston upon Hull, HU5 4JN.

A subsidiary of Caradon p.l.c

### Customer Care & Technical Support

Please use the following numbers for speedy assistance.

**Ideal Parts** ..... Tel: 01482 498 665

..... Fax: 01482 498 489

#### Customer Care & Technical Support.

Scotland/N. England/Midlands ..... Tel: 01482 498 636

Southern England/S. Wales ..... Tel: 01482 498 660

..... Fax: 01482 498 666

**Publications/literature** ..... Tel: 01482 498 467

February 1997

111 813 A05

**i Ideal** BOILERS