

Baxi FS 501 RS
GC No. 41 077 14

Baxi FS 501S RS
GC No. 41 077 12

Baxi FS 401 RS
GC No. 41 077 13

Baxi FS 401S RS
GC No. 41 077 11

Central heating boilers Cat. 1N

Installation and Service Instructions

Page 1

Installation Instructions

Introduction

This is a range of floor standing, room sealed boilers with the option of a standard model or an 'S' version which incorporates a programmer in the fascia panel.

There is a choice of outputs listed below:

Boiler Type	Heat output	
	kW	Btu/h
FS 501 RS	12 to 14.65	41,000 to 50,000
FS 501S RS		
FS 401 RS	9.1 to 11.7	31,000 to 40,000
FS 401S RS		

The boilers share a common outer case within which there is adequate space to fit a central heating pump using standard fittings. The standard version only may be fitted under a work top and an optional extra top panel is available for this purpose. The pump cannot be fitted in the case in this type of application (See [PUMP](#)).

All appliances are designed for use on Natural Gas only. Each appliance consists essentially of three components, namely:

1. Combustion chamber with heat exchanger, burner, controls and inlet of air duct.
2. Outer case. (Control Panel-packed separately).
3. Balanced flue terminal (packed separately).

Installation Requirements

General

The installation must be carried out by a competent installer and be in accordance with relevant BS Codes of Practice, I.E.E. Regulations, Gas Safety Regulations, Building Regulations, and by-laws of the Local Water Undertaking, References should be made to BS Codes of Practice 331- Part 3, BS 6798 and BS 5440 Part 1 & 2, 5449 Part 1.

Siting

These boilers must be fitted on a suitable outside wall, the position permitting a satisfactory flue and an adequate air supply.

A new or existing cupboard or compartment used to enclose the boiler must be constructed specifically for this purpose. Details of essential features of cupboard/ compartment design are given in BS 5376:2.

Clearances

for air movement, case removal and spanner access.

	Above outer case top	Sides
When free standing	13mm (1/2")	No clearance necessary
	Above optional top panel	
When under work top*	25mm (1")	10mm (3/8") each side

*minimum height to underside of work top - 875mm (34 1/2").

Ventilation

Detailed recommendations for air supply are given in BS 5440:2.

The room in which the boiler is installed does not require a purpose provided air vent. When the boiler is installed in a purpose made cupboard, air vents are required (for cooling purposes) at high and low level. These vents may communicate with a room or direct to outside air.

The minimum effective area requirements of cupboard/ compartment air vents are as follows:

Appliance	Position of air vent	Air from Room		Air direct from outside	
		cm ²	in ²	cm ²	in ²
FS 501 RS & FS 501S RS	High and	176	27	88	14
FS 401 RS & FS 401S RS	low level	141	22	71	11

Flue arrangement

A range of flue ducts is available to suit different wall thicknesses.

Wall thickness

1. 286mm to 371 mm (11 1/4") (14 5/8") This is the standard length supplied with the boiler.
2. 108mm to 286mm (4 1/4") (11 1/4") When using this flue duct both the outer and inner ducts on the flue terminal must be shortened when the wall thickness is less

than 200mm (7 7/8").

3. 371mm to 457mm
(14 5/4") (18")

The balanced flue terminal is designed such that it must be fitted from inside the building.

1. The air inlet/products ducts must be square and horizontal to the inner wall face.
2. The hole size required for the flue is: 275mm wide x 345mm high (107/8") (135/8")
3. A trim is supplied which may be fitted around the terminal.

Balanced flue siting requirements

The following guidelines indicate the requirements for siting of balanced flue terminals:

1. On a clear expanse of outside wall, preferably not less than 600mm (2') from a corner, recess or projection.
2. Not less than 300mm (1') vertically beneath an openable window or ventilator.
3. Not less than 600mm (2') from any surface facing the terminal.
4. Not less than 300mm (1') above ground level.
5. Not immediately beneath eaves or a balcony.

Page 2

6. If the terminal is less than 2m (6') above the ground or a balcony to which people have access the terminal should be protected by a guard.
7. If the outer surface of an outside wall is of combustible material it should be protected by fitting a non-combustible plate which extends not less than 50mm (2") around the terminal.

A terminal guard is available as an optional extra and may be obtained from:

SOUTH - Tower Flue Components Ltd, Vale Rise, Tonbridge, Kent TN9 1RA

NORTH - Tower Flue Components Ltd, 236 Lockwood Road, Lockwood, Huddersfield HD1 3TG.
Tel. 0484 47916

When ordering a terminal guard always quote the appliance name.

Water circulation systems (see [pages 8 & 9](#))

The appliances are only suitable for connection to a cistern supply and can be used with:-

1. Pumped domestic hot water and pumped central heating systems.
2. Gravity flow domestic hot water and pumped central heating systems.

(a) With 28mm pipes the minimum circulating head for gravity domestic hot water should not be less than 1 m (3.3') measured vertically from the flow connection on the boiler to the flow connection on the cylinder. At this head, the maximum horizontal distance measured along the run of the pipe should not exceed 3m (10'). Greater horizontal distances and smaller pipe sizes are acceptable with suitably increased heads. Allowances must be made for pipe bends where necessary.

(b) If the above conditions are not easily met then pumped primaries should be used.

(c) Gravity flow and return pipes should be laid to maximum fall to avoid air locks.

The following points are of particular importance:

1. THE WATER SPREADER MUST BE FITTED TO THE PUMPED RETURN CONNECTION ON ALL SYSTEMS.

2. The appliances must not be used on sealed systems.

3. The system must be designed to avoid reverse circulation.

4. The static head must not exceed 30m (100') of water.

5. The boilers must only be used with an indirect cylinder when domestic hot water is required.

6. Drain points should be fitted at the lowest points in the system.

7. The system must be designed such that gravity circulation in the heating system does not take place when the pump is not running.

Gas supply

The gas connection is located at the bottom left hand side of the appliance and is Rc1/2 (1/2" B.S.P.T. internal). Ensure that the pipework from the meter to the appliance is of adequate size. Do not use pipes of a smaller size than the appliance gas connection.

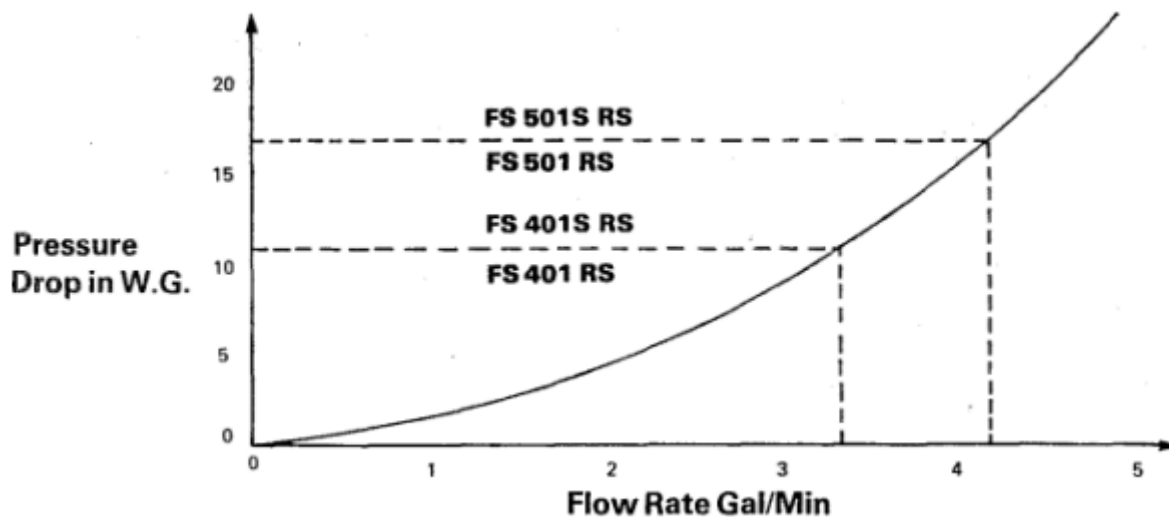
Electrical supply

External wiring must be correctly earthed and polarised and in accordance with I.E.E. regulations.

For wiring instructions see ['Electrical Connections'](#).

Appliance details (all appliances)

Height	900mm (35 1/2")
Width	395mm (15 1/2")
Forward projection from the wall	535mm (21")
Weight empty	84.95kg (187.3lb)
Water content	5.1 litres (1.12 gallons)
Boiler tappings	4xRp1 (1" BSP internal) and 1 xRp3/4 (3/4" BSP internal)
Electrical supply	240v ~ 50 Hz - 3 amp fuse
Gas connection	Rc1/2 (1/2" BSPT internal)
Max. working head	30m (100')
Thermocouple output	10-15mv.



Hydraulic resistance chart

Page 3

Fitting the Appliance

1. Ensure that the floor is sound and level.
2. Ensure that the length of the flue terminal is suitable for the wall thickness.
3. Select the most suitable position for the boiler (Figs 1 & 4).
4. Mark the position of the flue opening. 5. Cut out the hole for the flue.
6. Measure the wall thickness, assemble the flue terminal to the back of the appliance and adjust until the dimension from the back of the inlet air duct to the edge of the lip on the terminal mesh is 12mm (1/2") more than the wall thickness. THE FOUR SCREWS SECURING THE TERMINAL MESH TO THE FLUE DUCT MUST BE ACCESSIBLE FROM OUTSIDE THE BUILDING. Tape the joint between the flue terminal assembly and the air duct (Fig. 1).
7. Manoeuvre the boiler into position until the two spacer pipes behind the air inlet duct touch the wall (Fig. 1).
8. Check that the flue terminal protrudes through the wall as detailed in 6 and make good.
9. Connect the water flow and return pipes (see '[Boiler Connections](#)').
10. Fit the outer case as described in '[outer case](#)' items 1 to 5.
11. Connect the electrical supply (see '[Electrical Connections](#)').
12. Complete the installation as outlined in 'Commissioning the Unit' items 1-17.
13. Complete the assembly of the outer case as described in '[outer case](#)' items 6 & 7.

Boiler connections (Fig. 2)

The boilers have 5 water connections:

2xRp1 (1" BSP internal) return connections

2xRp1 (1" BSP internal) flow connections

1 xRp3/4 (3/4" BSP internal) flow connection.

The 1 x Rp3/4 (3/4" BSP internal) flow connection is for use when the pump is fitted inside the outer case. For other installations this connection must be plugged.

THE WATER SPREADER MUST BE FITTED TO THE PUMPED RETURN CONNECTION ON ALL INSTALLATIONS. THE MARKS ON THE SPREADER MUST BE BETWEEN THE TWO MARKERS ON THE COMBUSTION CHAMBER (Fig. 3). CHECK THAT THE SPREADER HAS ONLY TWO LOCATING MARKS.

When installing the pipework ensure that:

- (i) Suitable union fittings are used at the first joint of all boiler connections.
- (ii) The pipework will run through the cutouts provided in the outer case (Fig. 4).
- (iii) Drain off points are provided as appropriate. (iv) Pipe sizes are suitable for the system design.

Pump (Fig. 5)

A suitable pump e.g. Grundfos Selectric 4 or SMC Commodore with ball type isolating valves and 22mm compression fittings may be fitted inside the outer case. The pump should be connected to the 3/4 flow connection on the front of the heat exchanger using the following standard fittings.

A-1 off-Elbow 3/4 BSP male x 3/4 BSP female

B-1 off-Conex straight connector 3/4 BSP male x 22mm copper

C-3 off-22mm Yorkshire elbows

D-1 off-52mm long-22mm copper tube

E-1 off-100mm long-22mm copper tube

F-1 off-145mm long-22mm copper tube

G-1 off-42mm long-22mm copper tube

The redundant flow connection(s) must be plugged.

Accuracy is important to avoid the pump and or pipework obstructing removal of the top panel of the combustion chamber, or fouling the top panel of the outer case.

THE PUMP MUST NOT BE FITTED INSIDE THE CASE WHEN THE OPTIONAL TOP PANEL IS USED.

Outer case (Fig. 6)

Assemble the outer case in the following manner:

1. Locate the RH side panel over the pegs at the RH side of the base and press downwards to secure. When fitting the panels if access is restricted the cutouts at the top of the back edge of the panels can be used to pass the case fixing brackets.
2. Secure the panel to the case fixing brackets with the two screws provided.*
3. Repeat 1 & 2 with the LH side panel.
4. Secure the hinges of the fascia panel to the two side panels using two of the four screws provided.

5. At this point the electrical connections to the fascia panel can be made and the appliance can be commissioned. (See '[Electrical Connections](#)' and '[Commissioning the Appliance](#)' 1-17).

6. Swing the fascia panel upwards and secure to the side panels using the two screws retained to the control fascia.

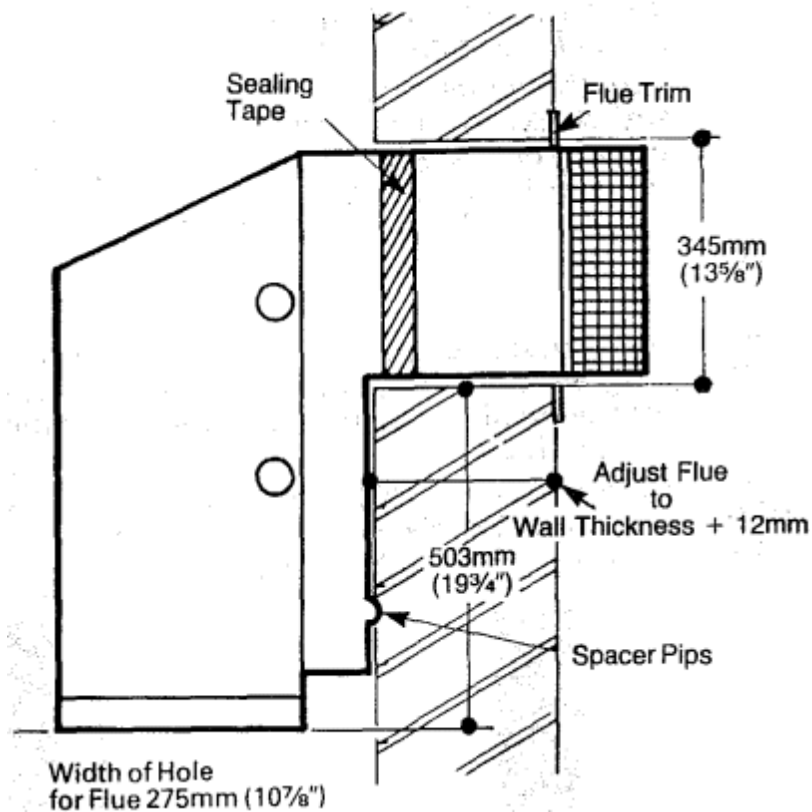
7. Hook the bottom edge of the front panel over the lugs on the base and swing the top edge back till the pegs at the top of the panel locate in the corresponding holes. Press to secure.

*When the optional extra top panel is being fitted then the RH and LH side panels are fixed only by the screws at the front of the panel as access to the top screws may be limited. The top panel is then slid back to the wall and secured to the side panels by the fascia securing screws in 6.

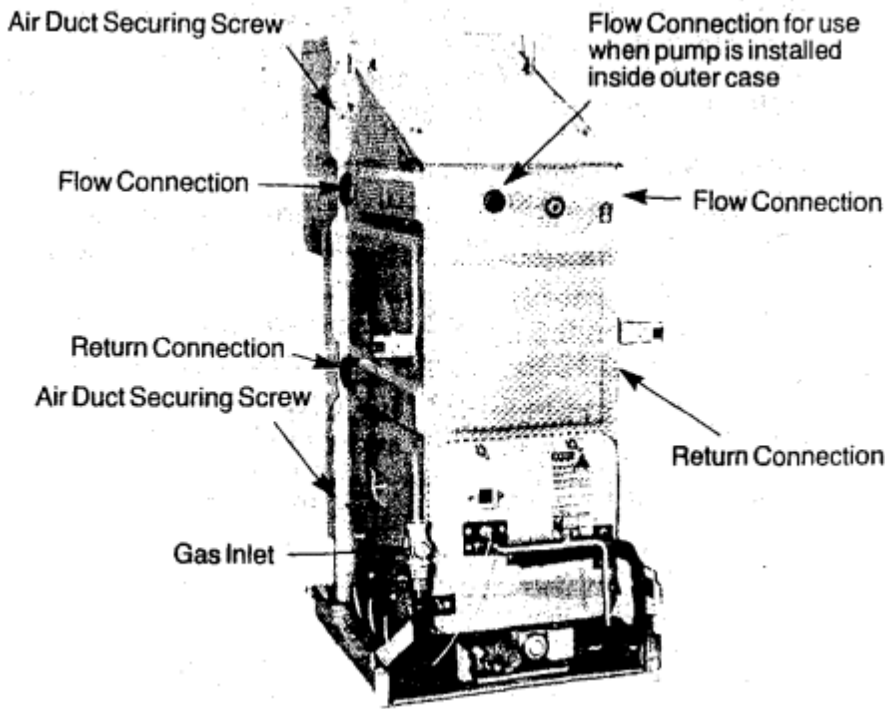
Gas connection (Fig. 2)

Adapt the gas supply 15mm (1/2" BSP) within the outer case making the gas connection to the service tap provided.

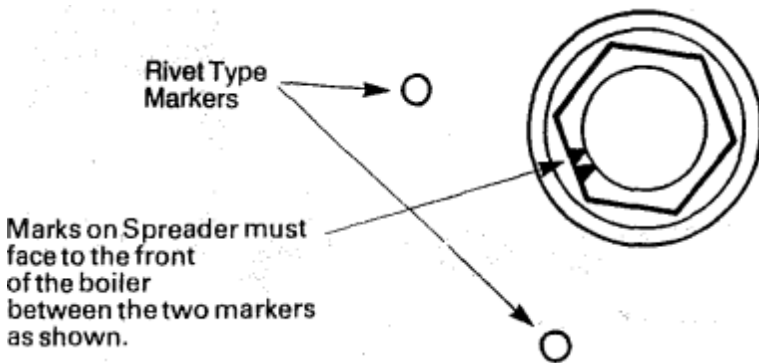
Page 4



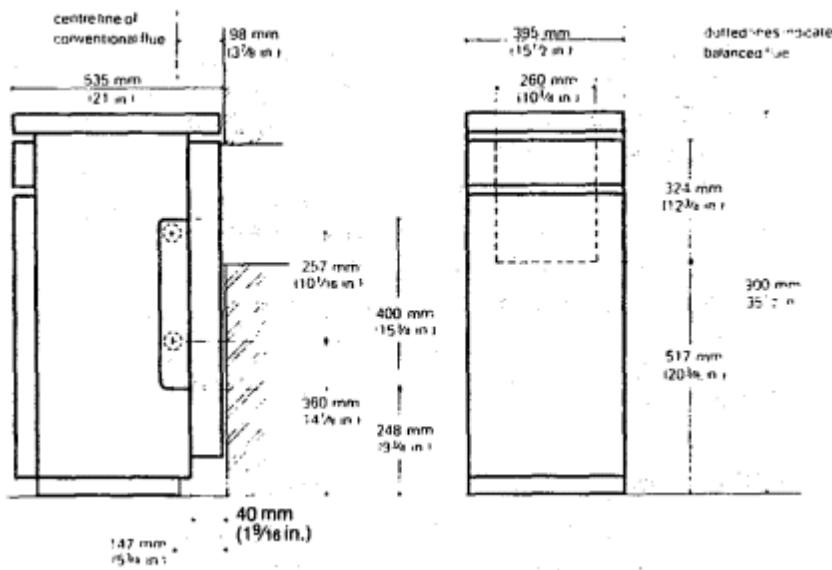
1. Flue Assembly



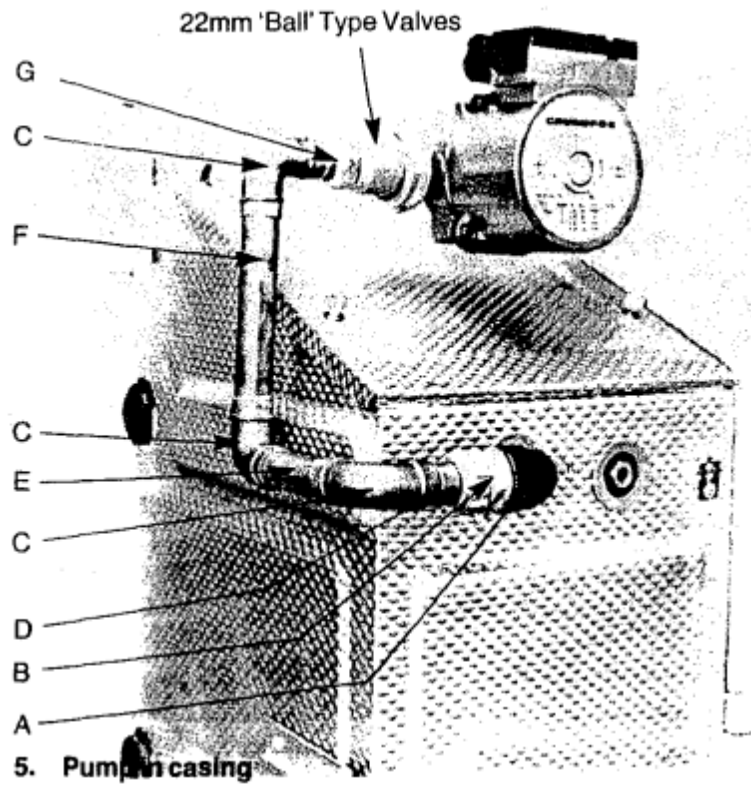
2. Boiler Connections



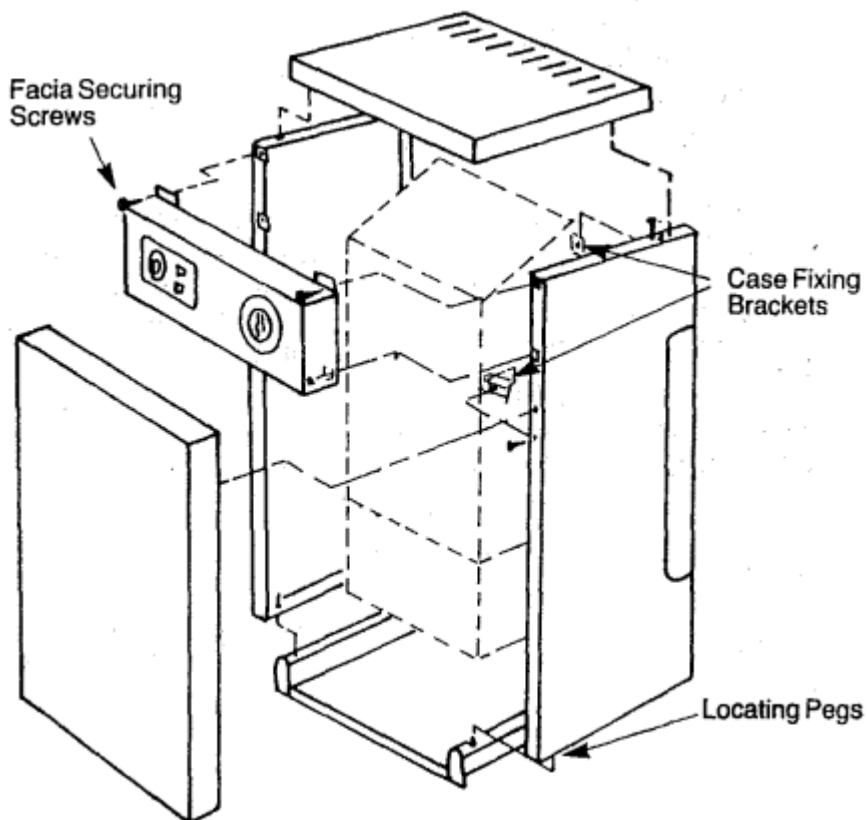
3. Spreader in Pumped Return Connection



4. Outer Case



5. Pump in casing



6. Outer Case Assembly

The mains supply required is 220/250 V 50 Hz fused at 3 amps. A double pole switch should be provided in the installation or an unswitched socket outlet should be used. All external wiring shall be correctly earthed and polarised and be in accordance with I.E.E. regulations.

Electrical supply to controls

The recommended cable for connection to the appliance is 0.5 sq. mm 16/.20 PVC heat resistant grade to BS 6500 1975.

The input cable should be secured with the cable clips provided and be laid to avoid contact with hot surfaces.

The length of the supply conductors between the cable grip and the terminals must be such that the current carrying conductors become taut before the earthing conductor if the cable should slip out of the cable grip.

1. With the outer case assembled as in 'outer case' 1-4 remove the 2 screws securing the thermostat cover to the fascia panel (Fig. 7).
2. Fit the input cable to the terminal strip and clamp using the cable grip provided and clamp the incoming cable into the cable clips provided on the outer case side panel so as to avoid contact with the hot combustion box surfaces.
3. Connect the 2 green and yellow earth wires halfway down the appliance wiring harness to the combustion chamber earth point on the outer case support bracket.
4. Fit the socket at the end of the wiring harness to the plug attached to the burner feed pipe and clip the wire to the cable clips provided.
5. Refit the thermostat cover to the fascia panel.
6. Push the thermostat phial into the thermostat pocket and clip the capillary behind the retaining clip (Fig. 8).

Programmer ('S' versions only)

This programmer is suitable for controlling all types of central heating and domestic hot water installations.

Data: Rated voltage 220/250V

Mains frequency 50Hz

Total rating 10A 250 VAC

Insulation - double insulated.

1. With the outer case assembled as in 'outer case' items 1-4 remove the 3 screws securing the programmer cover (Fig. 7).
2. Fit the wires to the terminal strip provided and to the boiler to suit the chosen control systems (see '[Control Systems](#)') ensuring that the wires are fixed to the cable clamp provided and secured away from hot surfaces with the cable clips and straps provided.
3. Refit the programmer cover.

The programmer supplied is set to give ten programmes. If 16 programmes are required the programmer must be adjusted.

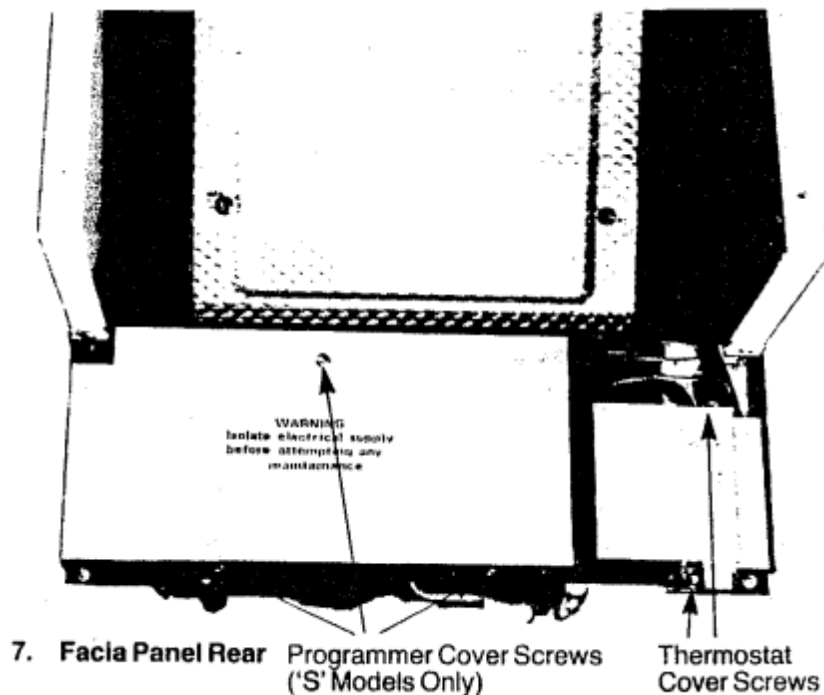
Ten position is suitable for gravity hot water and pumped central heating.

Sixteen position is suitable for gravity hot water with cylinder thermostat and motorised valve and pumped central heating: or hot water and central heating pumped with cylinder and room thermostats with a motorised valve in both circuits. To adjust for 16 programmes set the hot water programme selector to the ON position and the central heating programmer to the OFF position.

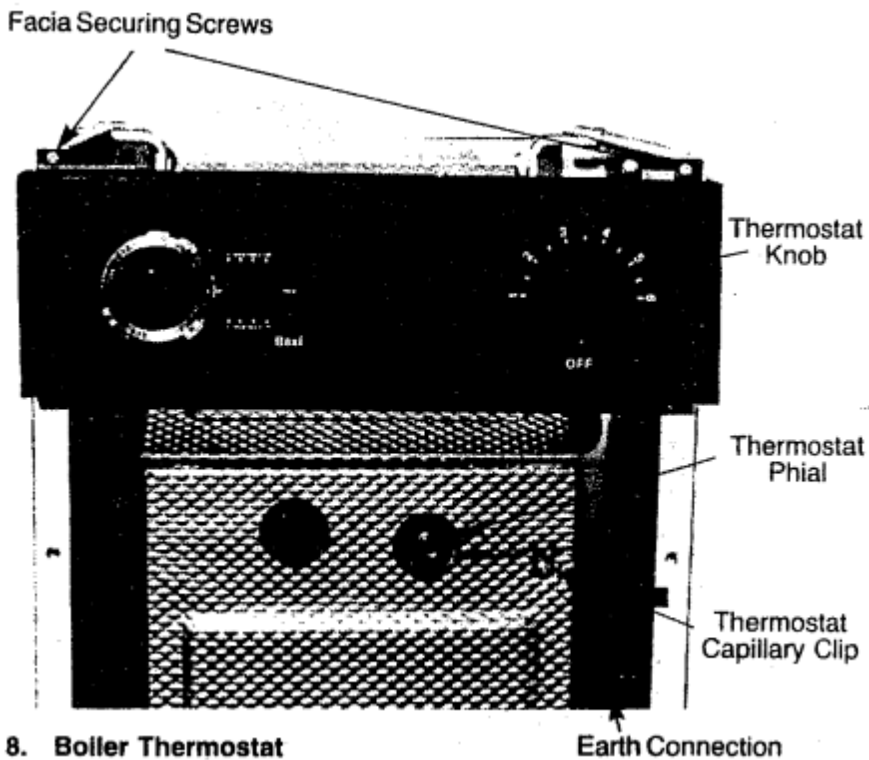
Turn the white programme range adjuster (Fig. 9) 90° anti-clockwise. To revert to ten programmes follow the same procedure but turn the white programme range adjuster 90° clockwise.

Line voltage is applied to terminals 3 & 4 when the programmer is in the ON position for hot water and central heating and to terminals 1 & 2 when it is in the OFF position.

Terminals 1.2.3.4.N.L. connect the controls for Domestic Hot Water and Central Heating applications shown in '[Control Systems](#)'.



7. Facia Panel Rear



8. Boiler Thermostat

8. Boiler Thermostat

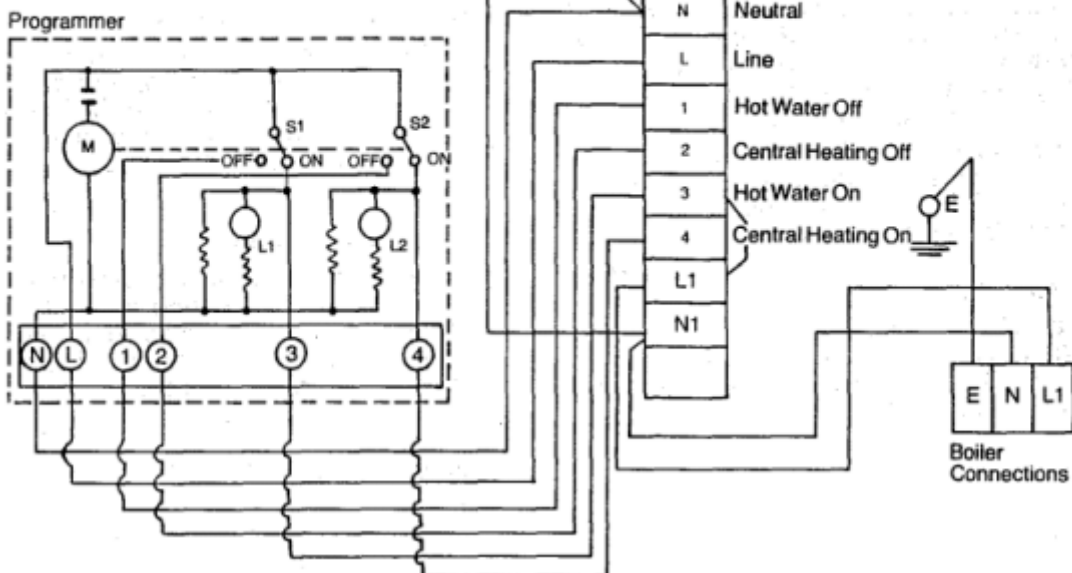
Page 6



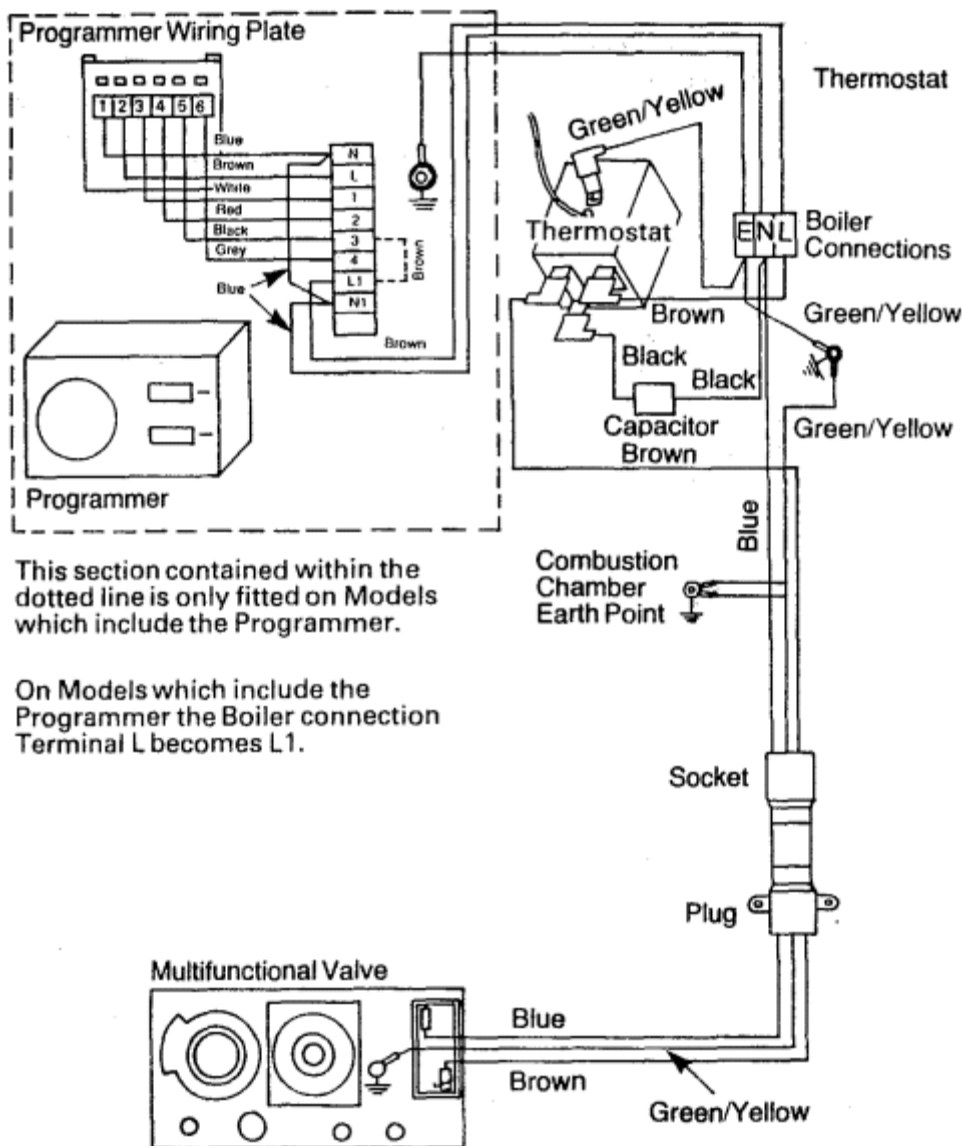
Programmer range adjuster set for 10 programmes.



Programme range adjuster set for 16 programmes.



9. Internal Wiring-Programmer



10. Internal Wiring-Boiler

Page 7

Notes for Guidance

1. Pipe sizing

(a) The sizes of flow and return pipes from the boiler should be determined by normal methods according to the requirements of the system.

Normally the pump should be set to give a 11°C (20°F) drop across the system with the gas rate of the boiler adjusted to the output required.

(b) The open vent pipe must be a minimum of 22mm and must rise continuously to above the feed tank. The flow pipe from the boiler may form part of the open vent. No part of the open vent should contain a valve.

(c) The cold feed pipe, 15mm, should be connected to the return main as near as possible to the boiler and should not include a valve unless required by the local water authority.

Domestic Hot Water

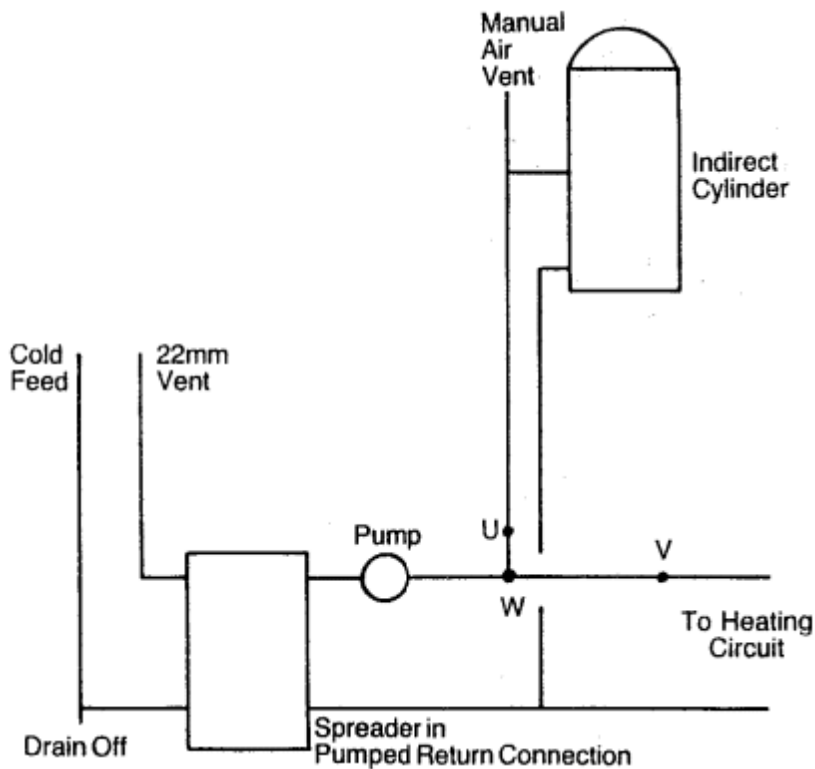
An indirect cylinder must be used. If a self priming indirect type is employed it must be of adequate size and applied strictly in accordance with the cylinder manufacturers' instructions.

Fuel economy

Better fuel economy is achieved by exercising control of the boiler by means of a room thermostat and or a cylinder thermostat as appropriate. Examples of different control systems are given below along with the appropriate wiring diagrams.

ALLOWING THE BOILER TO CYCLE ON THE BOILER THERMOSTAT DOES NOT PRODUCE THE BEST RESULTS.

SIMILARLY FOR ECONOMY AND BOILER PERFORMANCE THE SYSTEM SHOULD BE DESIGNED SO THAT GRAVITY CIRCULATION IN THE HEATING CIRCUIT DOES NOT TAKE PLACE WHEN THE PUMP IS NOT RUNNING.



Fully Pumped System (Diagrammatic)

Control systems

One Zone Valve (Fig. A)

Zone valve with auxiliary switch fitted at point V. A cylinder thermostat and a room thermostat are used to control both the pump and the boiler. The room thermostat also controls the zone valve to stop water circulation in the heating system.

Two Zone Valves (Fig. C)

Zone valves are fitted at points V and U to stop water circulation to the heating system and the cylinder. The valves are controlled by a room thermostat and a cylinder thermostat respectively, each of which also controls the boiler and the pump.

Diverter Valve (Fig. D)

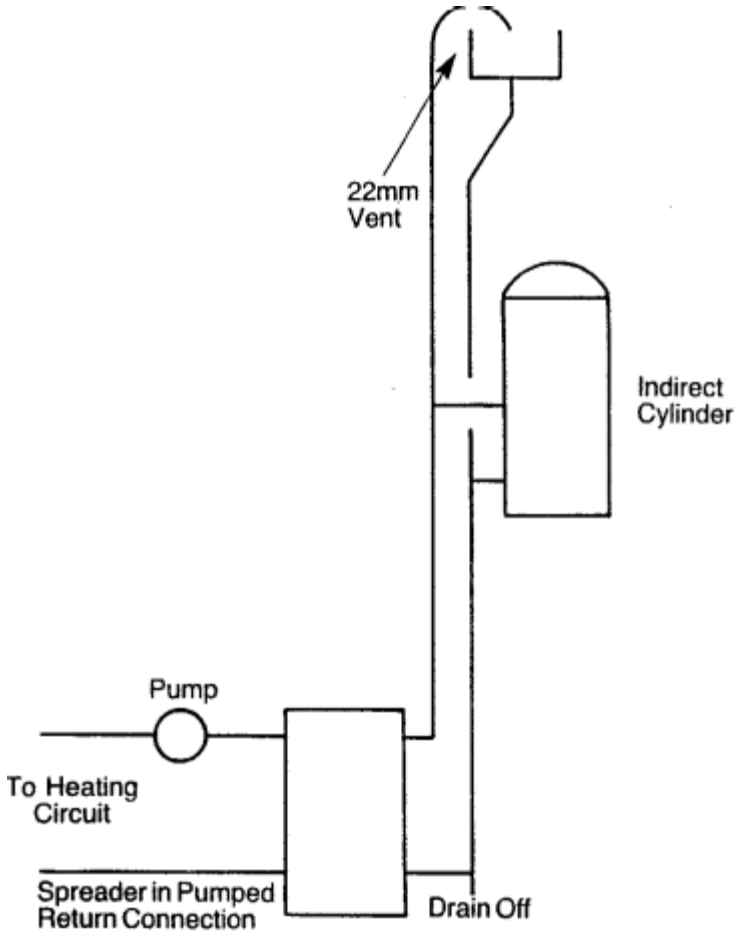
A diverter valve is inserted at point W to direct water circulation to either the cylinder or the heating system. The valve along with the pump and the boiler is controlled by a cylinder thermostat and a

room thermostat.

Gravity D.H.W. Systems

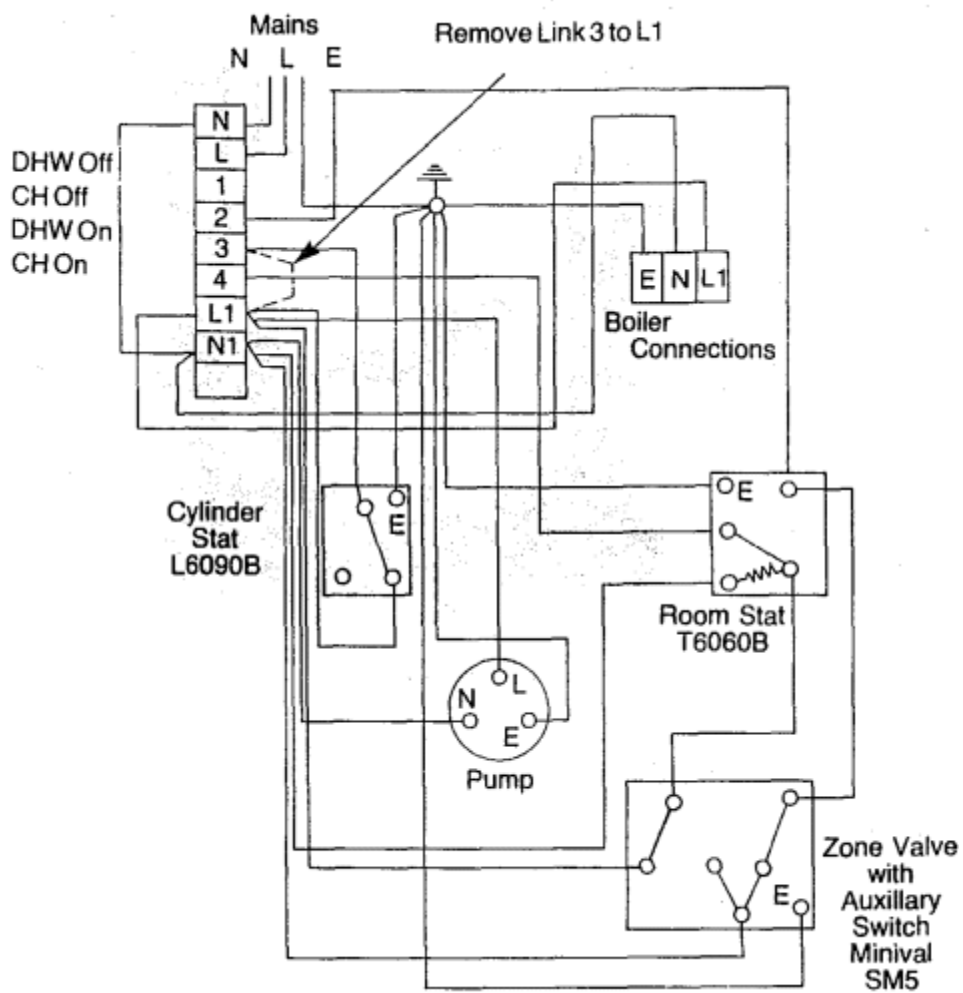
Sundial Control (Fig. B)

Both the boiler and the pump are controlled by a cylinder thermostat and a room thermostat. The room thermostat overrides the cylinder thermostat when heating is called for.

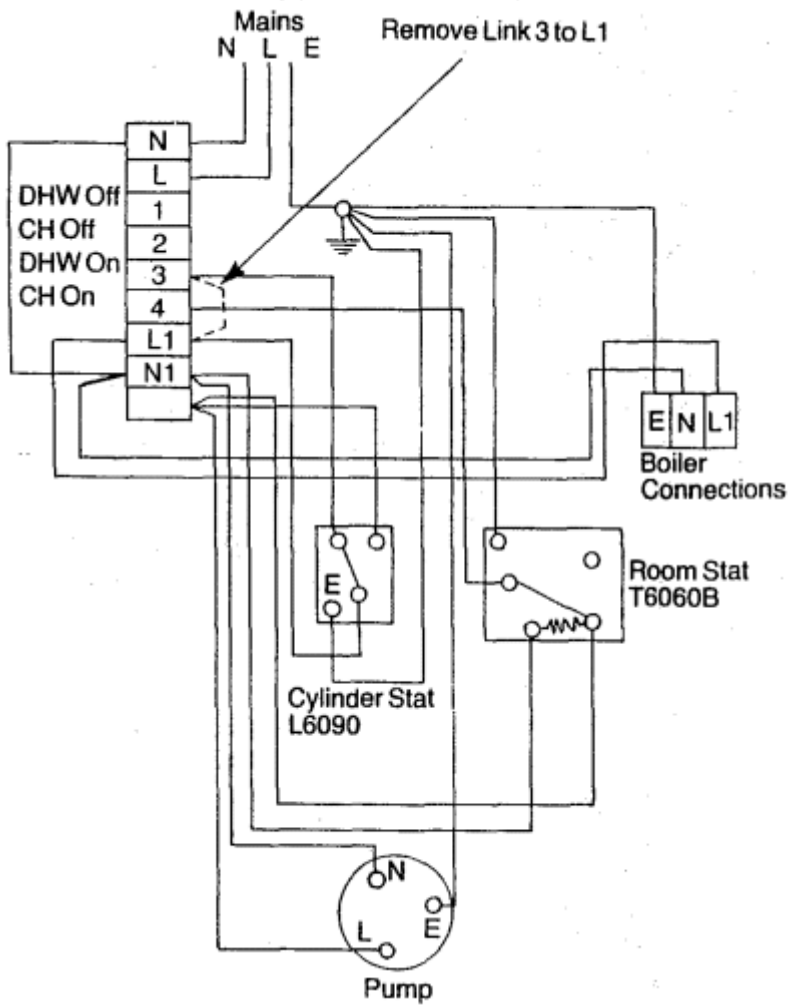


Gravity Domestic Hot Water (Diagrammatic)

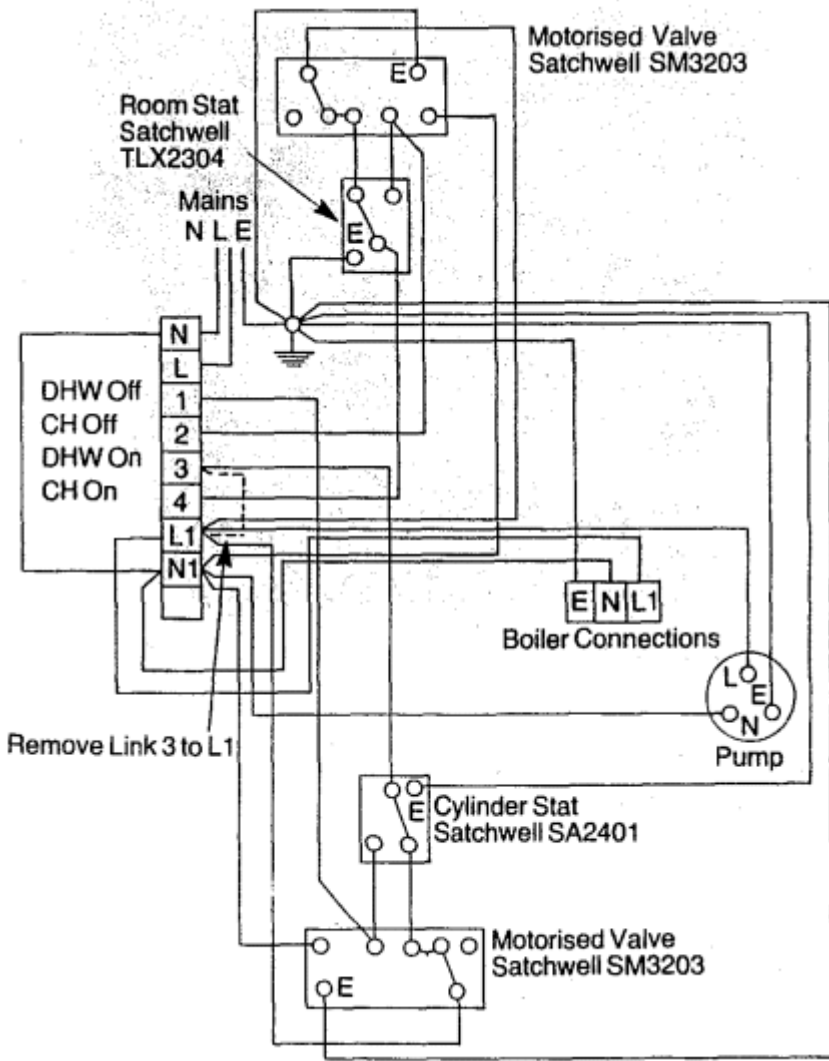
In both cases the Pump shown in the Flow Pipe to avoid Sub Atmospheric Pressure (Air Entrainment) in the system.



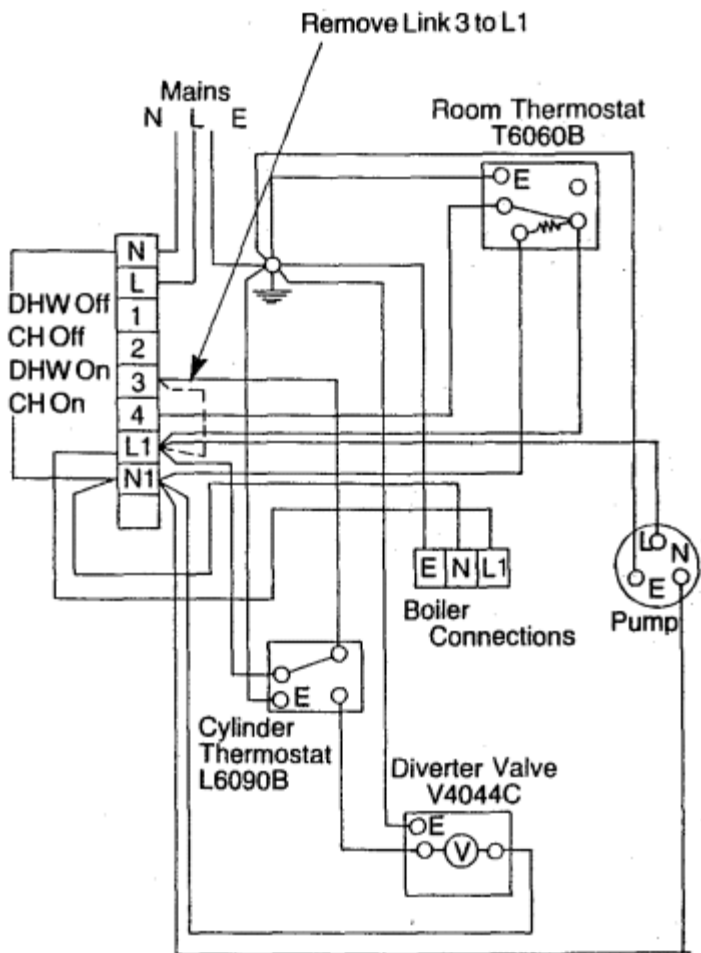
A -One Zone Valve -Fully Pumped System



B -Sundial Gravity System



C - 2 Zones Valves - Fully Pumped System



Divertor Valve - Fully Pumped System

Commissioning the Unit

1. Flush the whole system with all valves open.
2. Fill the system, vent the radiators and check for water leaks.
3. Turn the gas service tap to the 'on' position, check for gas soundness (CP 331:3).
4. Purge the air from the gas supply pipe at the gas service tap.
5. Turn the boiler thermostat to the 'off' position.
6. Turn on the mains electrical supply and ensure that all external controls e.g. room thermostat, timer, etc., are calling for heat.
7. Remove the burner pressure test point screw and connect a pressure gauge.
8. Hold in the grey 'on/off' button on the gas control valve (Fig. 11).
9. Press the piezo unit button (Fig. 11) and release. Repeat until pilot lights. Hold in grey 'on/off' button for a further 20 seconds and then release. The pilot light should then stay alight.

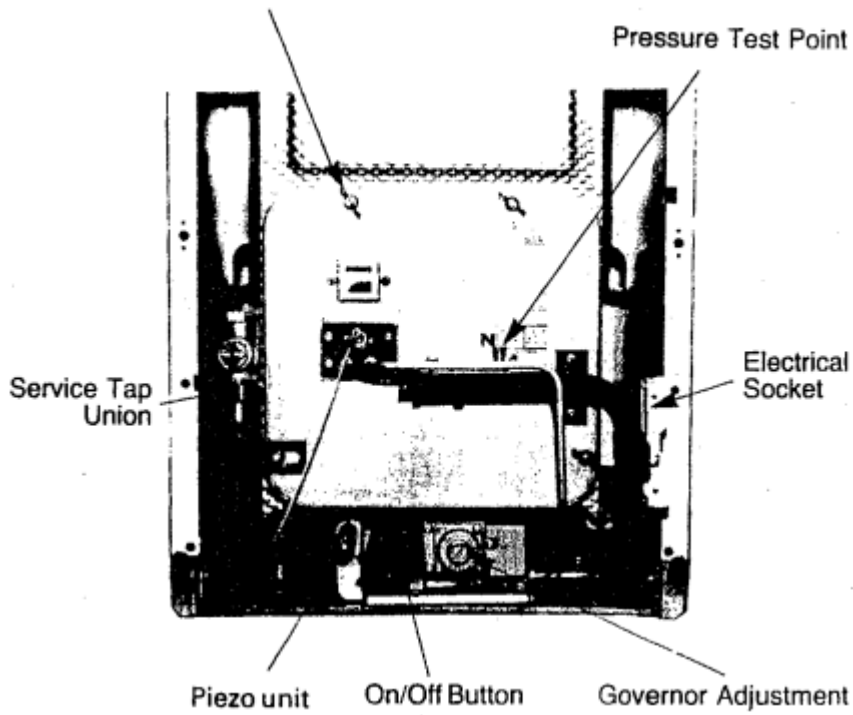
If the pilot fails to remain alight turn the grey 'on/ off' button clockwise, wait 3 minutes and start again from 8. The flame should be without a yellow tip and be approximately 25mm (1") long. No adjustment of the pilot flame is necessary as with the restrictor screw fully open the pilot jet is sized to give the correct flame length at 20 mbar (8" wg) inlet pressure.

10. Operate the burner by turning the thermostat knob to the high setting. CHECK THE OPERATION OF THE FLAME FAILURE DEVICE by turning the grey ON/OFF button clockwise. The burner and the pilot should go out.
11. Turn the boiler thermostat to the OFF position. Wait three minutes and re-light the pilot.
12. Operate the burner by turning the thermostat knob to the high setting.
13. Remove the cover screw and adjust the appliance governor to give the correct pressure corresponding to the required input. See table below. Check this pressure after 10 minutes and adjust if necessary (Fig. 11). Replace cover screw.
14. Turn the boiler thermostat to the 'off' position and re-check the pilot flame length.
15. The system should now be flushed again whilst hot, refilled, vented and checked for water leaks.
16. Make a final check for gas soundness.
17. Replace the burner pressure test point screw and then turn the boiler thermostat to the required setting.
18. Complete the assembly of the outer case as described in '[outer case](#)' item 7.
19. Instruct the user in the use of the unit.

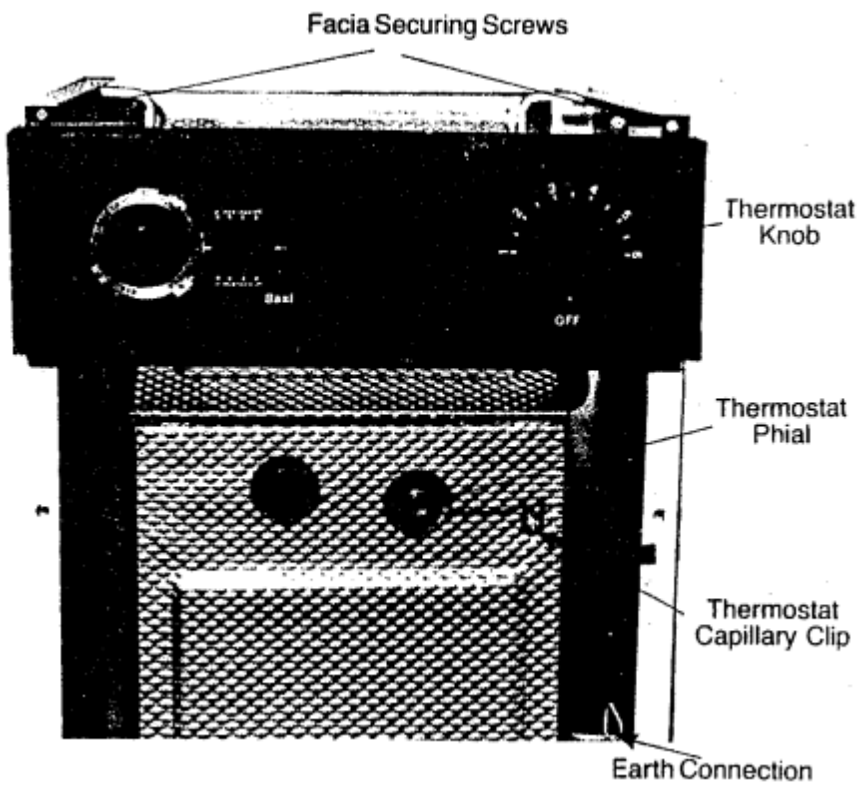
NOTE: In the event of an electrical fault after the installation of the appliance, preliminary electrical system checks must be carried out (i.e. Earth continuity, polarity and resistance to earth).

Model	Maximum Input	Setting Pressure	Minimum Input	Setting Pressure	Injector Size
FS 501 RS	19.4 kW	17.4 mbar	16.0 kW	11.7 mbar	4X
FS 501S RS	66200 Btu/h	7.0 "w.g.	54600 Btu/h	4.7 "w.g.	1.7
FS 401 RS	15.5 kW	14.7 mbar.	12.1 kW	8.8 mbar	4X
FS 401S RS	52800 Btu/h	5.9 "w.g	41300 Btu/h	3.5 "w.g.	1.55

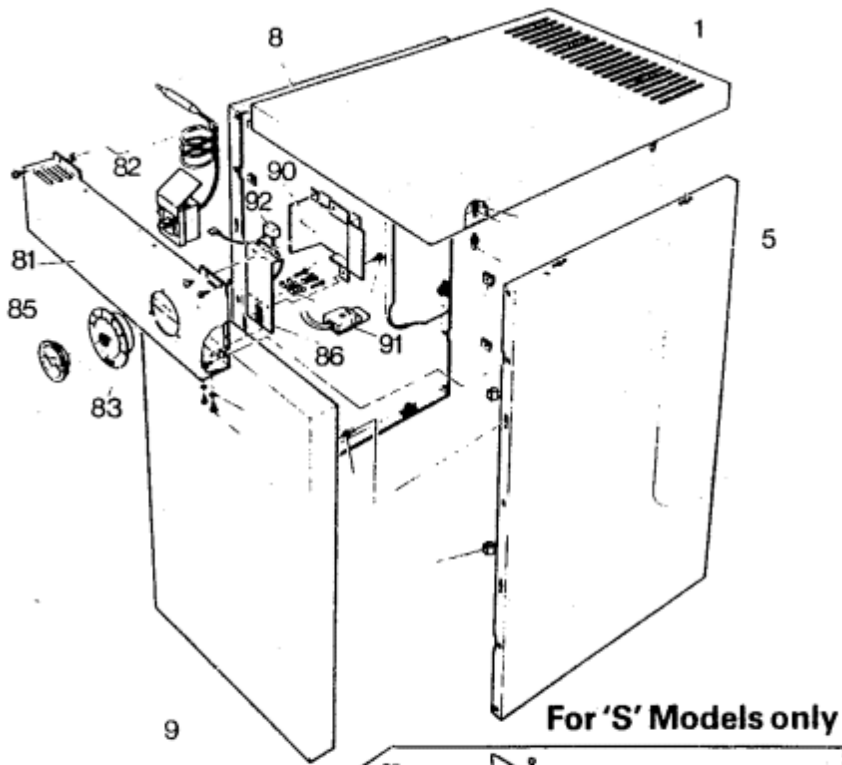
Wing Nuts Securing Burner and Controls Assembly.



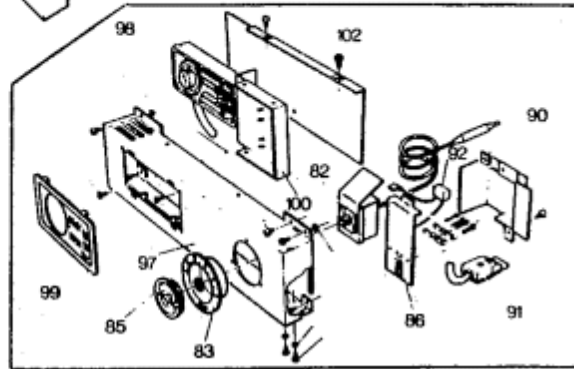
11. Burner Controls



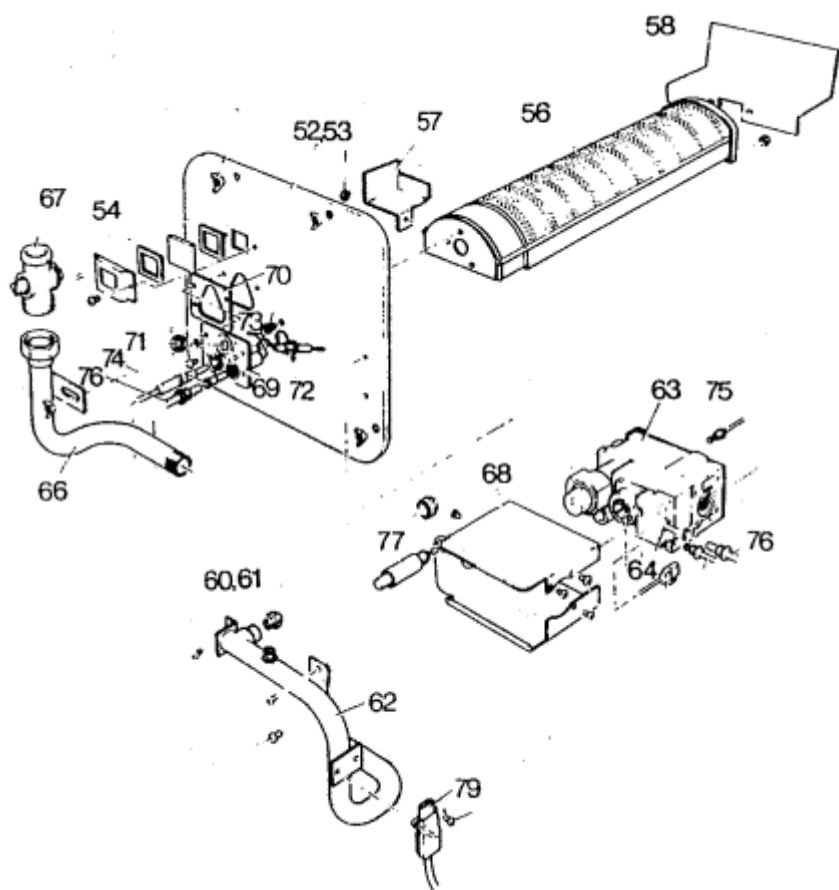
12. Boiler Thermostat



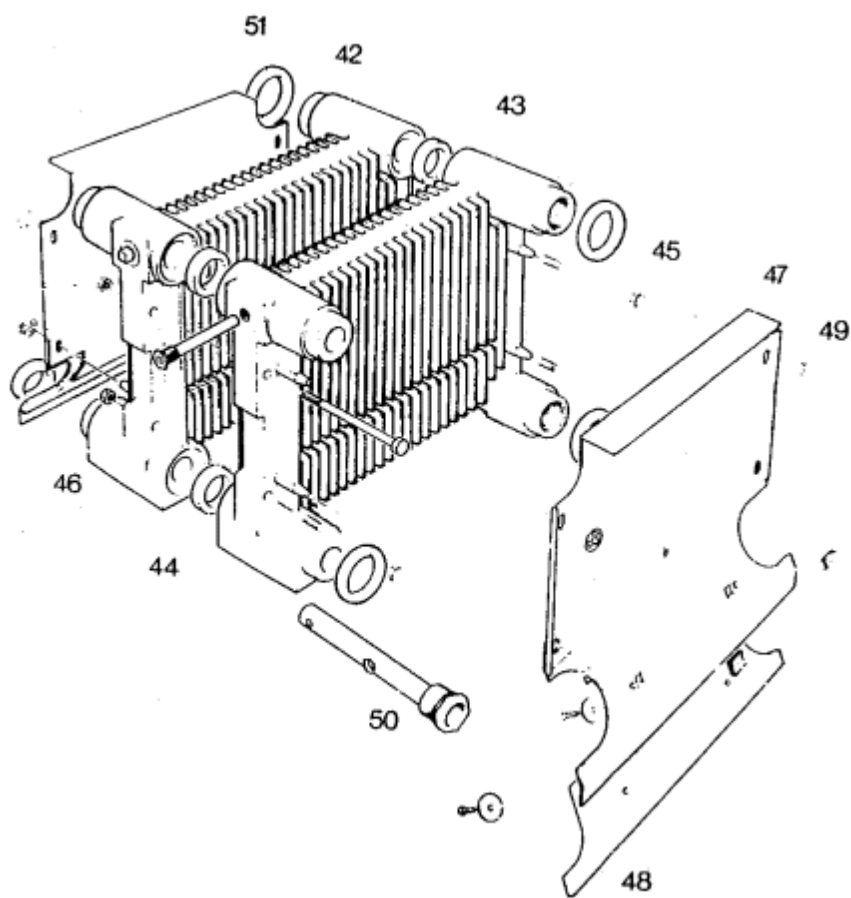
For 'S' Models only



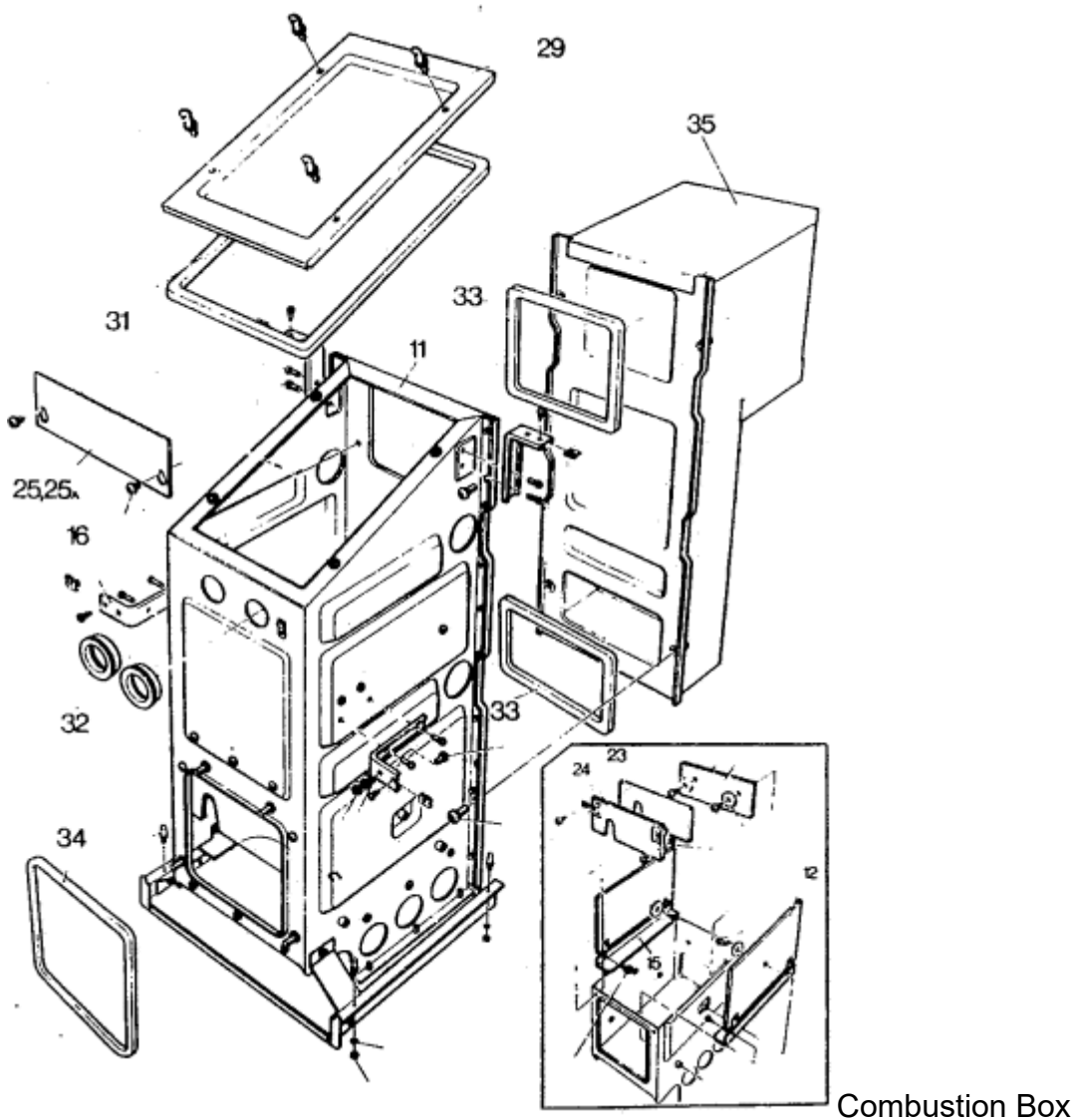
Outer Case



Burner and Controls Assembly



Key No 41 Boiler



Combustion Box

Servicing the Unit

(See 'BOILER SERVICING GUIDE' label on the boiler)

Items 1-28 are for maintenance to be carried out annually.

1. Turn off the electrical supply to the boiler.
2. Remove the front panel of the outer case by pulling forwards at the top and lifting upwards.
3. Remove the top panel of the outer case by pulling upwards.
4. Turn off the gas supply at the service tap and disconnect the union (Fig. 13).
5. Disconnect the electrical socket by pulling upwards (Fig. 13).
6. Remove the four wing nuts and carefully withdraw the burner and controls assembly (Fig. 13).
7. Release the two screws securing the front insulation assembly and remove the assembly (Fig. 14).
8. Remove the four thumb screws securing the top inspection panel. Lift off or slide forward under control fascia to remove.

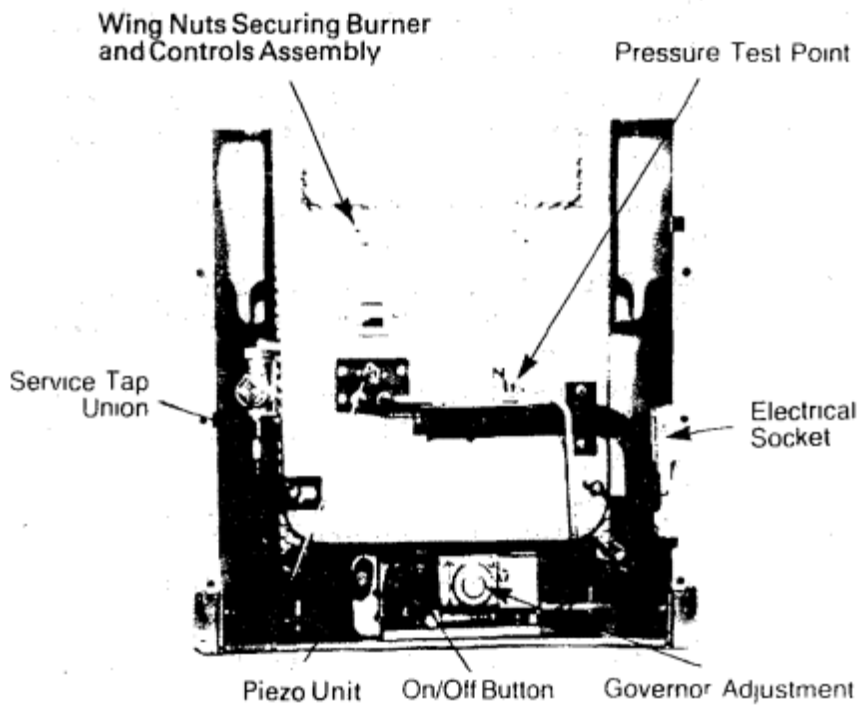
9. Remove the flue outlet baffle by slackening the two screws shown (Fig. 15). Lift upwards on the keyhole slots. Lower the fascia panel for extra access if necessary.
10. Remove any dirt that may have accumulated in the flue outlet duct.
11. Clean the heat exchanger with a bristle brush and brush out the bottom of the combustion box ensuring that the air opening at the rear is clear.
12. Refit the flue outlet baffle and top inspection panel.
13. Clean the burner as follows:
 - (a) Remove the three screws securing the burner to the door panel (Fig. 17).
 - (b) Release the burner securing screw and remove the burner end plate (Fig. 18).
 - (c) Remove any lint or deposits which may have accumulated inside the burner.
 - (d) Refit the end plate assembly ensuring that the washer is replaced and the gasket is undamaged (Fig. 18).
 - (e) Remove the injector from the inlet manifold. Clean carefully and replace.
14. Clean the pilot as follows:

Unscrew the pilot tubing nuts at both ends and remove the pilot tube. Remove and clean the pilot injector and clean the pilot shroud (Fig. 17).
15. Re-assemble the pilot components and then the burners in reverse order of dismantling.
16. Check all the insulation panels for damage, replace if necessary. Refit the front insulation panels and secure with two screws (Fig. 14).
17. Refit the burner and controls assembly checking that the door seal is undamaged. Replace if necessary.
18. Reconnect the gas union at the service tap. Turn on the tap and check for gas soundness.
19. Refit the electrical socket and turn the thermostat to the OFF position.
20. Refit the outer case top panel.
21. Hold in the grey 'on/off' button on the gas control valve (Fig. 13).
22. Press in the piezo unit button and release. Repeat until the pilot lights. Hold in the grey 'on/off' button for a further 20 seconds and then release. The pilot should then stay alight. If the pilot fails to remain alight, turn the grey 'on/off' button fully clockwise and release. Wait 3 minutes and start again from 21. The flame should be without a yellow tip and be approximately 25mm (1") long. No adjustment of the pilot flame is necessary as with the restrictor screw fully open the pilot jet is sized to give the correct flame length at 20 mbar (8"w.g.) inlet pressure.
23. Turn on the electricity supply to the boiler.
24. Remove the pressure test point screw (Fig. 13). Connect a pressure gauge and operate the burner by turning the thermostat knob to its highest setting.
25. Check that the pressure corresponding to the range rated output is correct for the installation (see data label). If necessary remove the cover screw and adjust the appliance governor (Fig. 13).
26. Turn the boiler thermostat to the 'OFF' position and refit the pressure test point screw.

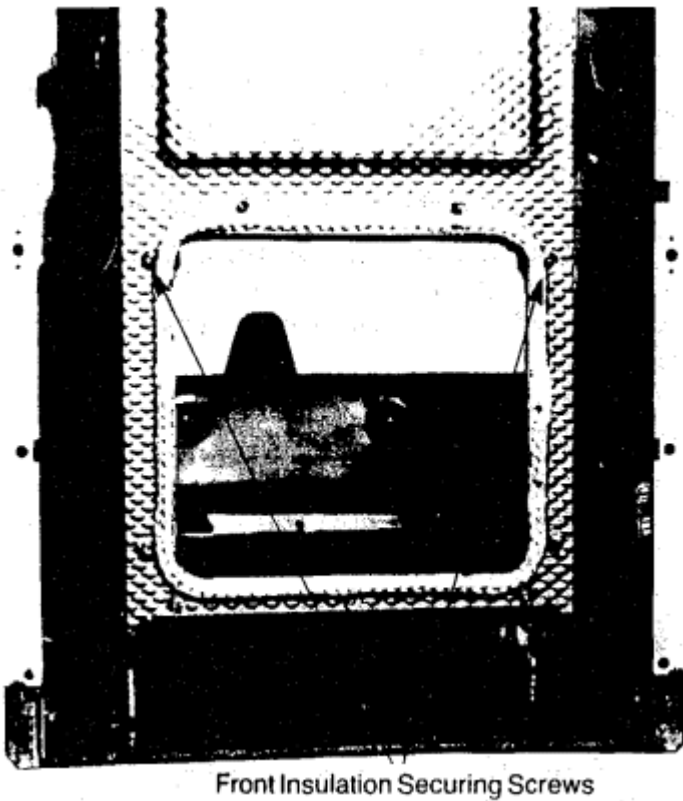
27. Turn the boiler thermostat to its original setting.

28. Replace the outer case front panel.

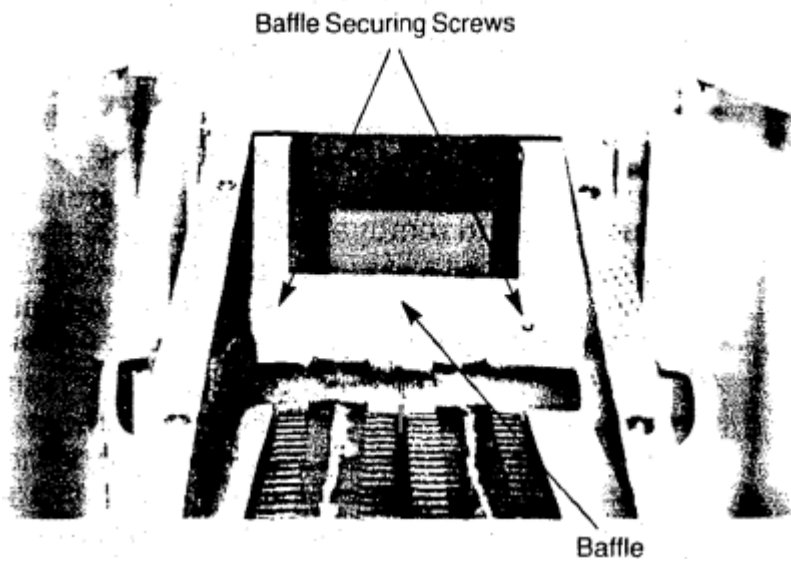
Page 12



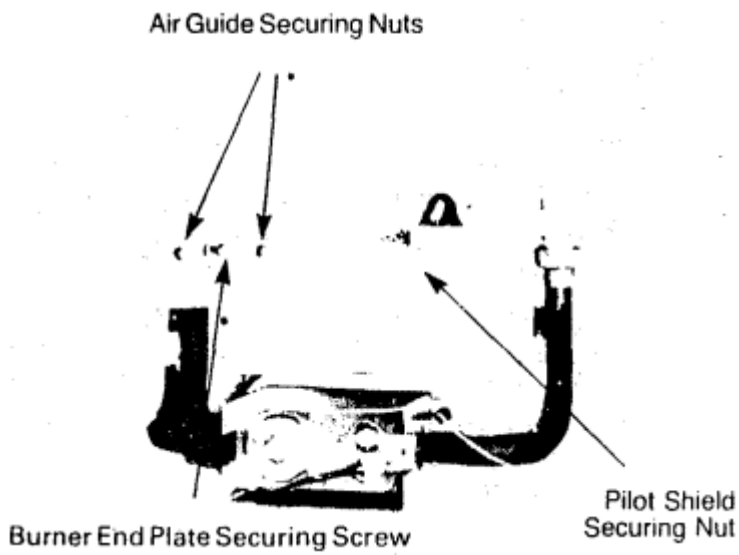
13. Burner Controls



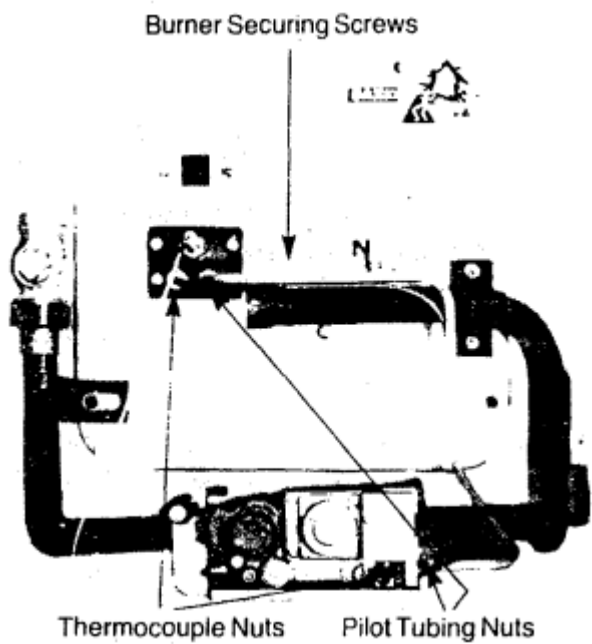
14. Insulation Combustion Box Door



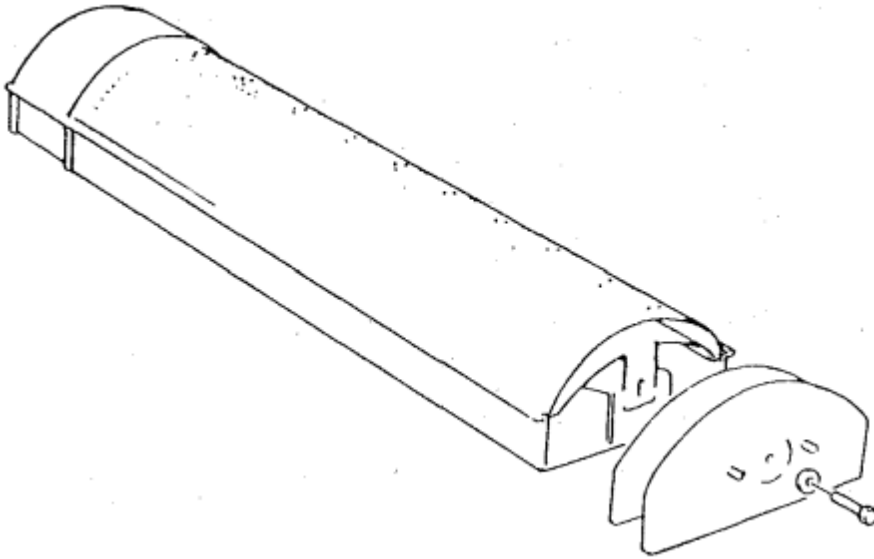
15. Baffle Securing Screws



16. Burner and Controls Assembly. (Rear View).



17. Burner and Controls Assembly



18. The Burner

Page 13

Removal/exchange of individual components

Thermocouple

1. Turn off the electrical supply to the boiler.
2. Remove the outer case front panel by pulling forwards at the top and lifting upwards.
3. Turn off the gas supply at the service tap or at the grey 'on/off' button on the gas valve.
4. Release the thermocouple nut at the side of the gas valve (Fig. 19).
5. Release the thermocouple nut at the pilot bracket. 6. Re-assemble in reverse order of dismantling.

Thermocouple re-route device

1. Remove the burner and controls assembly as described in steps 1 to 6 "[Servicing the Unit](#)".
2. Release thermocouple nut at the valve.
3. Disconnect the re-route nut.
4. Remove terminal cover and re-route device.

Injector

1. Remove the burner and controls assembly as described in steps 1 to 6 "[Servicing the Unit](#)".
2. Remove the three screws securing the burner to the combustion box and remove the burner (Fig. 19).
3. Unscrew the injector from the inlet manifold.
4. Re-assemble in reverse order of dismantling.

Burner

1. Remove the burner and controls assembly as described in steps 1 to 6 "[Servicing the Unit](#)".
2. Remove the two nuts securing the air guide to the burners and remove the guide (Fig. 20)).
3. Release nut and remove pilot shield (Fig. 20).
4. Remove the three screws securing the burner to the door panel, and remove the burner (Fig. 19).
5. Re-assemble in reverse order of dismantling.

Boiler thermostat

1. Isolate the electrical supply to the boiler.
2. Remove the outer case front panel by pulling forwards at the top and lifting upwards.
3. Remove the outer case top panel by pulling upwards.
4. Remove the two fascia retaining screws (Fig. 21) taking care not to lose the two spacer washers and allow the fascia to swing forwards on its hinges.
5. Release the thermostat capillary from behind its retaining clip and remove the thermostat phial from the boiler (Fig. 21).
6. Remove the screw securing the thermostat cover to the fascia (Fig. 22).
7. Disconnect the four spade electrical terminals from the thermostat.
8. Pull off the thermostat knob and remove the locknut securing the thermostat to the fascia panel.
9. Re-assemble in reverse order of dismantling ensuring that the thermostat phial is replaced into the thermostat pocket.

Programmer ('S' versions only) (Fig. 23)

1. Allow the fascia to swing forwards as described in items 1-4 of '[Boiler Thermostat removal](#)'.
2. Slacken the two screws securing the wiring block to the programmer by swinging the fascia upwards and approaching the screws from below. Pull the wiring block away from the programmer.
3. Straighten the 4 tabs holding the programmer front cover to the fascia panel and remove the panel.
4. Remove the two screws securing the programmer to the fascia panel and remove the programmer.
5. Re-assemble in reverse order of dismantling.

Honeywell Gas Valve (Fig. 19)

1. Remove the burner and controls assembly as described in steps 1 to 6 "[Servicing the Unit](#)".
2. Disconnect the thermocouple nuts at the valve and at the pilot bracket.
3. Disconnect the pilot feed pipe at the valve and at the pilot bracket ensuring that the pilot injector is not misplaced.
4. Disconnect the electrode lead and remove the piezo unit.

5. Remove the screw securing the electrical terminal cover to the gas valve. Disconnect the electrical connections.
6. Remove the valve complete with the heatshield and inlet pipe by disconnecting the flanged injector manifold.
7. Disconnect the flanged inlet pipe. Retain the O rings for reassembly but replace if damaged.
8. Remove the heat shield by undoing the retaining screw.
9. Release the thermocouple re-route nut and remove the re-route.
10. Individual sub components of the valve may be replaced as outlined by Honeywell instructions.
11. Re-assemble in reverse order of dismantling.

Insulation in Combustion Box

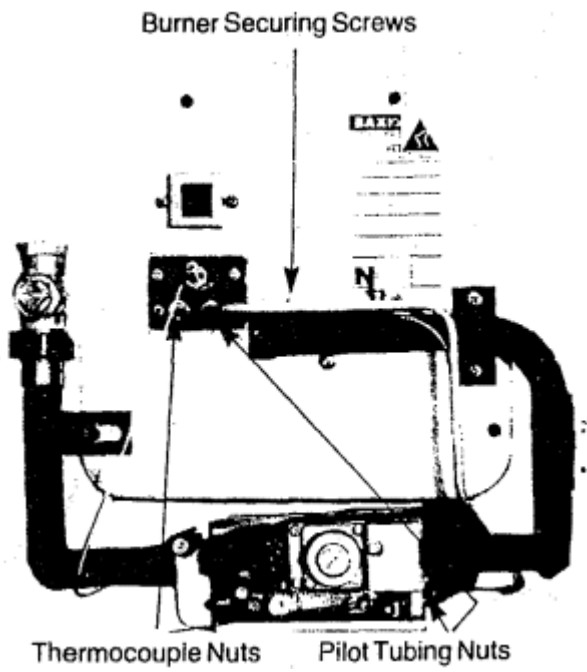
1. Remove the burner and controls assembly as described in steps 1 to 6 "[Servicing the Unit](#)".
2. Release the two screws securing the front insulation assembly and remove the assembly (Fig. 14).
3. Remove the two screws and washers securing the two side insulation panels (Fig. 24) and carefully remove diagonally through the door opening.
4. Remove the two screws and washers securing the back panel insulation.
5. Remove the ceramic insulation pad from the front insulation assembly by bending the securing tabs.
6. Remove the two sloping panels of insulation adjacent to the heat exchanger by removing four screws and washers. Ease out the bottom edge of the insulation panel and slide down (Fig. 24).
7. Replace insulation as necessary and bend down securing tabs where applicable.
8. Re-assemble in reverse order of dismantling taking care not to damage the new insulation.

Piezo Unit

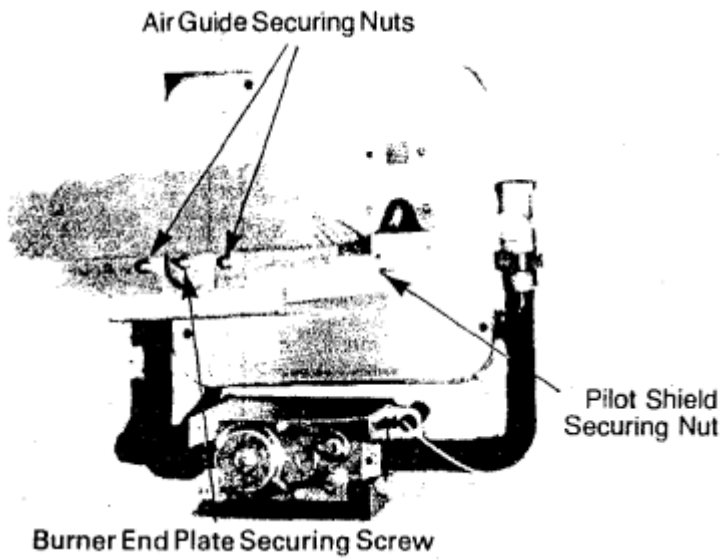
1. Remove the burner and controls assembly as described in steps 1 to 6 "[Servicing the Unit](#)".
2. Disconnect the electrode lead at the piezo unit.
3. Remove the nut securing the piezo unit to the heat shield and remove the piezo unit.
4. Re-assemble in reverse order of dismantling.

Spark Electrode

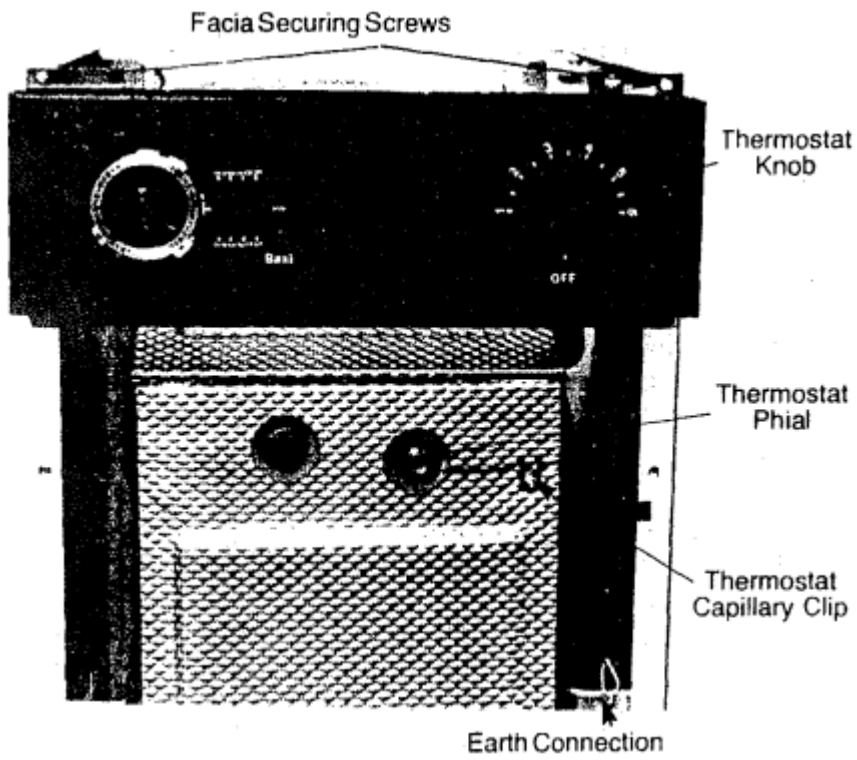
1. Remove the burner and controls assembly as described in steps 1 to 6 "[Servicing the Unit](#)".
2. Disconnect the electrode lead at the electrode.
3. Remove the nut securing the electrode and remove the electrode.
4. Re-assemble in reverse order of dismantling.



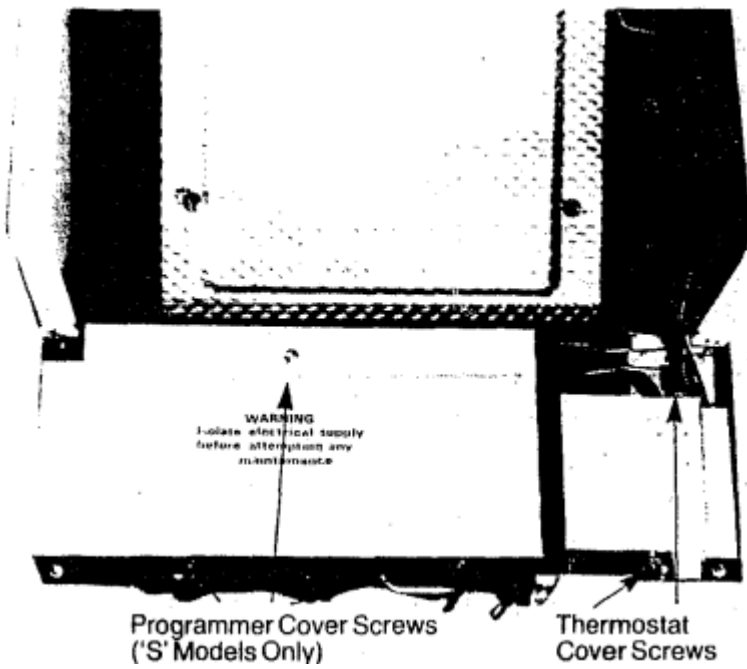
19. Burner and Controls Assembly



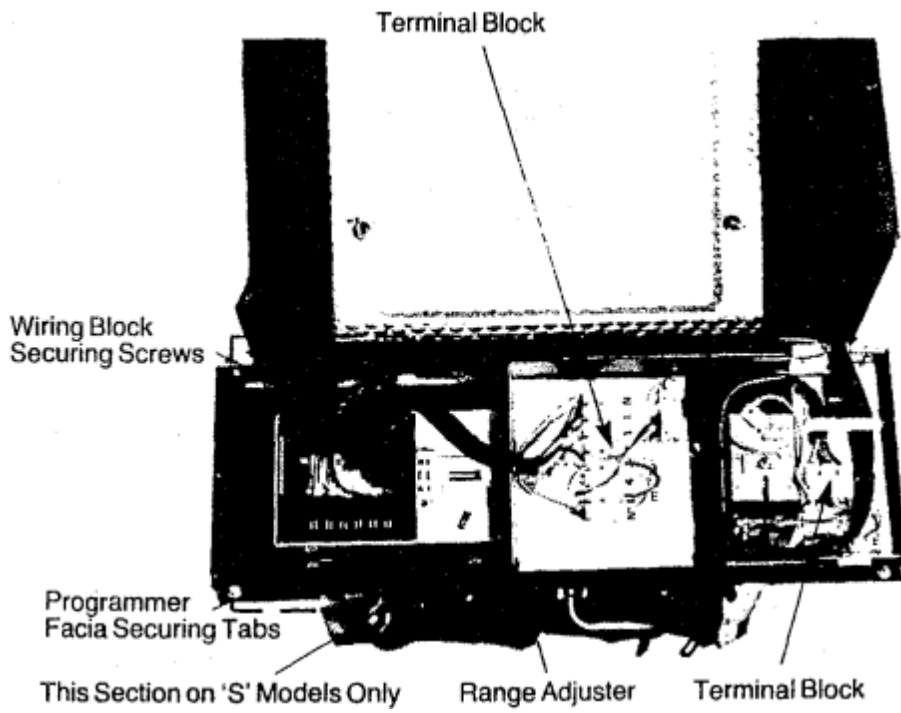
20. Burner and Controls Assembly (Rear View)



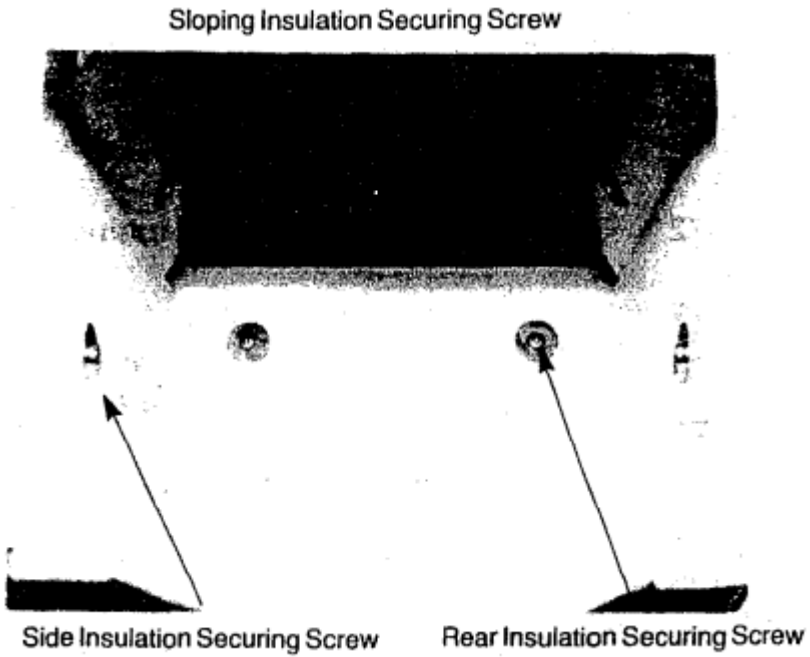
21. Boiler Thermostat



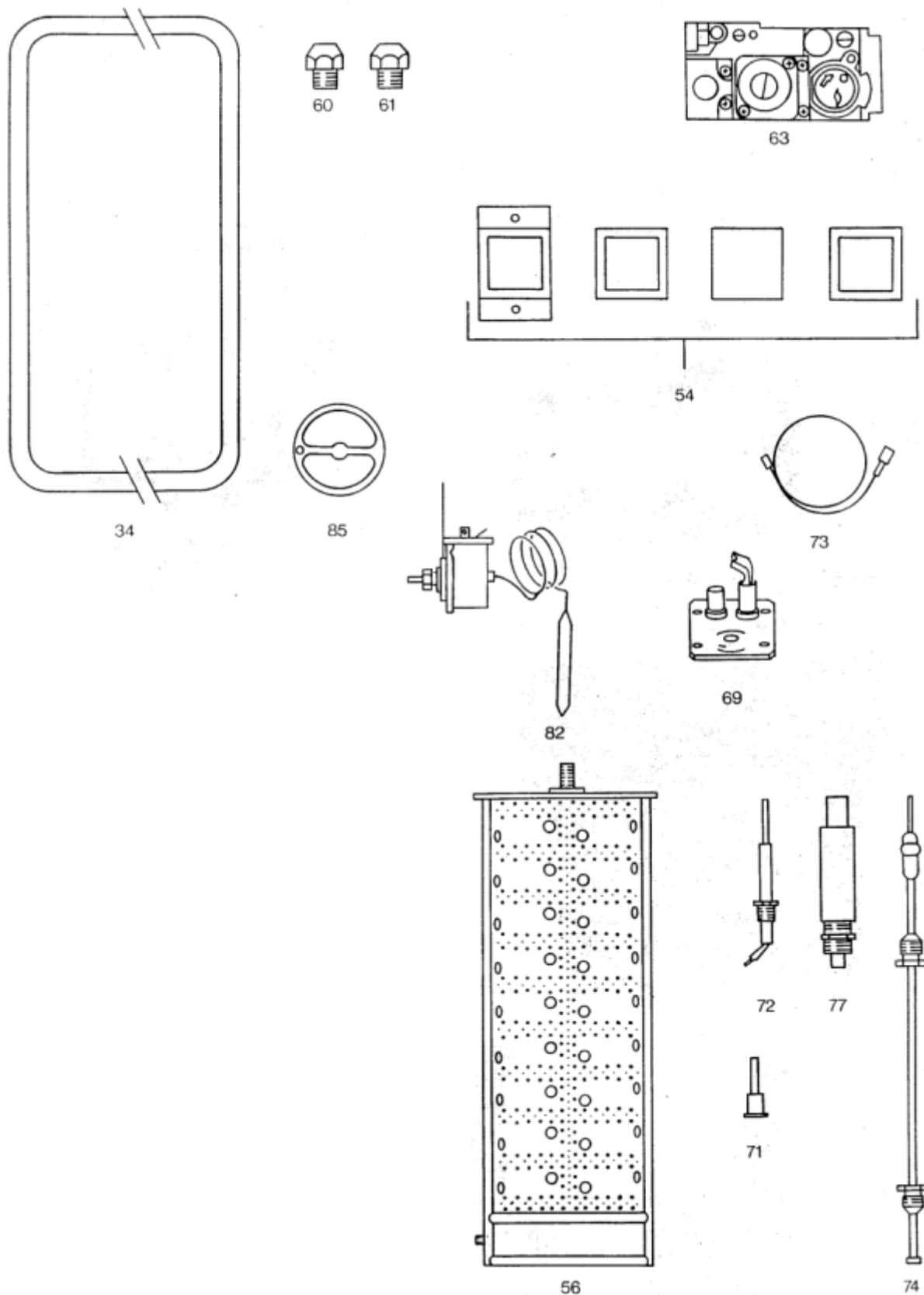
22. Facia Panel Rear



23. Electrical Connections



24. Combustion Box



SHORT PARTS LIST

Baxi FS 501/401 RS Cat. 1 Nat. Gas G.C. Numbers 41 077 11/12/13/14

Key	B.G. No.	Description	Manufacturers Part No.
34	364260	Seal- Panel Door	112057
54	364 143	Kit - Sight Window	100134
56	383 508	Burner - Boiler	112036

60	364 314	Injector - Stereomatic - 4x 1.7mm - FS 501 RS	112033
61	183 881	Injector - Stereomatic - 4x 1.55mm - FS 401 RS	042857
63	393 180	Valve - Control - Honeywell V4600 C	062623
69	364 341	Burner - Pilot	110028
71	364 282	Injector - Pilot - Honeywell 0.38/0-35 A	112011
72	387 852	Electrode - Pilot Ignition - Kigass E3356	102024
73	183 628	Lead-Electrode	042740
74	390 131	Thermocouple- 18" Honeywell Q3909 A	102005
77	183 936	Kit-Piezo Unit	040456
82	382 387	Thermostat - Ranco - GIP1004	112025
85	364 287	Knob Thermostat	112026

Baxi heatingBamber Bridge Preston PR5 6SN Lancs

Tel Preston 36201

1/88

Page 16
