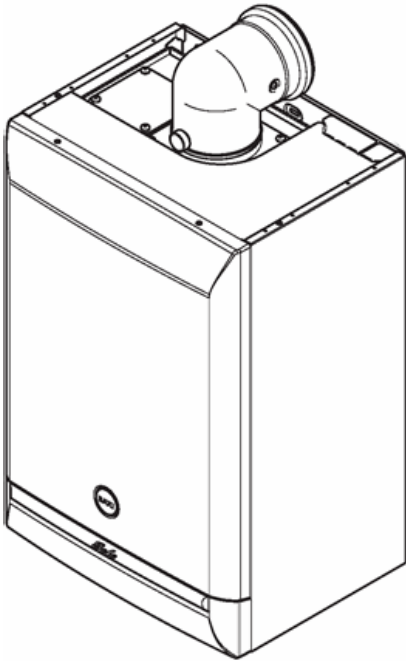


BAXI

Installation & Servicing Instructions



Solo HE IE Range

Wall Mounted Powered Flue Condensing Boilers Gas Fired Central Heating Units

These instructions include the Commissioning Checklist and should be left with the user for safe keeping.

© Baxi Heating UK Ltd 2012

page 1

page 2

Natural Gas

Baxi Solo 12 HE IE

Baxi Solo 15 HE IE

Baxi Solo 18 HE IE

Baxi Solo 24 HE IE

Baxi Solo 30 HE IE

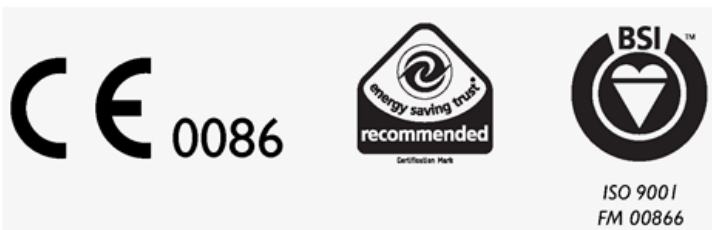
Baxi Heating UK Ltd 2012 All rights reserved. No part of this publication may be reproduced or transmitted in any form or by any means, or stored in any retrieval system of any nature (including in any database), in each case whether electronic, mechanical, recording or otherwise, without the prior written permission of the copyright owner, except for permitted fair dealing under Copyrights, Designs and Patents Act 1988.

Applications for the copyright owner's permission to reproduce or make other use of any part of this publication should be made, giving details of the proposed use, to the following address:

The Company Secretary, Baxi Heating UK Ltd,
Brooks House, Coventry Road, Warwick. CV34 4LL

Full acknowledgement of author and source must be given.

WARNING: Any person who does any unauthorised act in relation to a copyright work may be liable to criminal prosecution and civil claims for damages.



Legislation

This company declare that no substances harmful to health are contained in the appliance or used during appliance manufacture.

The appliance is suitable only for installation in IE and should be installed in accordance with the rules in force, and only used in a suitably ventilated location.

The installation must be carried out by a competent Person and installed in accordance with the current edition of I.S. 813 "Domestic Gas Installations", the current Building Regulations and reference should be made to the current ETCI rules for electrical installation.

All systems must be thoroughly flushed and treated with inhibitor (see [section 6.2](#)).

Codes of Practice, most recent version should be used

In IE the following Codes of Practice apply:

Standard	Scope
I.S. 813	Domestic Gas Installations.

The following BS standards give valuable additional information;

BS 5546	Installation of hot water supplies for domestic purposes.
BS 7074	Expansion vessels and ancillary equipment for sealed water systems.
BS 7593	Treatment of water in domestic hot water central heating systems.

IMPORTANT - Installation, Commissioning, Service & Repair

This appliance must be installed in accordance with the manufacturer's instructions and the regulations in force. Read the instructions fully before installing or using the appliance..

The installation must be carried out by a competent person as stated in I.S. 813 "Domestic Gas Installations".

NOTE: The addition of anything that may interfere with the normal operation of the appliance without express written permission from the manufacturer or his agent could invalidate the appliance warranty. In GB this could also infringe the Gas Safety (Installation and Use) Regulations.

Warning - Check the information on the data plate is compatible with local supply conditions.

The boiler meets the requirements of Statutory Instrument " The Boiler (Efficiency) Regulations 1993 No 3083" and is deemed to meet the requirements of Directive 92/42/EEC on the energy efficiency requirements for new hot water boilers fired with liquid or gaseous fuels:-

Type test for purpose of Regulation 5 certified by:
Notified Body 0087.

Product/Production certified by:
Notified Body 0086.

For IE only.

Safe Manual Handling

General

The following advice should be adhered to, from when first handling the boiler to the final stages of installation, and also during maintenance.

Most injuries as a result of inappropriate handling and lifting are to the back, but all other parts of the body are vulnerable, particularly shoulders, arms and hands. Health & Safety is the responsibility of EVERYONE.

There is no 'safe' limit for one man - each person has different capabilities. The boiler should be handled and lifted by TWO PEOPLE.

Do not handle or lift unless you feel physically able.

Wear appropriate Personal Protection Equipment e.g. protective gloves, safety footwear etc.

Preparation

Co-ordinate movements - know where, and when, you are both going.

Minimise the number of times needed to move the boiler - plan ahead.

Always ensure when handling or lifting the route is clear and unobstructed. If possible avoid steps, wet or slippery surfaces, unlit areas etc. and take special care on ladders/into lofts.

Technique

When handling or lifting always use safe techniques - keep your back straight, bend your knees. Don't twist - move your feet, avoid bending forwards and sideways and keep the load as close to your body as possible.

Where possible transport the boiler using a sack truck or other suitable trolley.

Always grip the boiler firmly, and before lifting feel where the weight is concentrated to establish the centre of gravity, repositioning yourself as necessary.

See [section 8.3](#) of these instructions for recommended lift points.

Remember

The circumstances of each installation are different. Always assess the risks associated with handling and lifting according to the individual conditions.

If at any time when installing the boiler you feel that you may have injured yourself STOP !!

DO NOT 'work through' the pain - you may cause further injury.

IF IN ANY DOUBT DO NOT HANDLE OR LIFT THE BOILER - OBTAIN ADVICE OR ASSISTANCE BEFORE PROCEEDING !!

page 5

Contents

- [1.0 Introduction](#)
- [2.0 General Layout](#)
- [3.0 Appliance Operation](#)
- [4.0 Technical Data](#)
- [5.0 Dimensions and Fixings](#)
- [6.0 System Details](#)
- [7.0 Site Requirements](#)
- [8.0 Flue Options](#)
- [9.0 Plume Displacement](#)
- [10.0 Installation](#)
- [11.0 Electrical](#)
- [12.0 Commissioning the Boiler](#)
- [13.0 Fitting the Outer Case](#)
- [14.0 Servicing the Boiler](#)
- [15.0 Changing Components](#)
- [16.0 Short Parts List](#)
- [17.0 Fault Finding](#)
- [Commissioning Checklist](#)

Contents of Pack

The pack contains:-

- Boiler
- Wall Plate
- Template & 'Quick Fit' Guide
- Literature Pack
- Fittings Pack

page 6

1.0 Introduction

1.1 Description

1. The Baxi Solo HE IE range are gas fired room sealed fan assisted condensing central heating boilers.
2. The maximum output of the Baxi Solo 12 HE IE is 40,330 Btu/hr, 15 HE IE is 52,000 Btu/hr, 18 HE IE is 60,770 Btu/hr, 24 HE IE is 75,000 Btu/hr. The maximum output of the 30 HE IE is preset at 75,000 Btu/hr but can be set to 100,000 Btu/hr (see [section 10.8](#)). All boilers automatically adjust their outputs according to the system load.
3. It is designed for use on Natural Gas (G20).
4. The boiler is suitable for fully pumped open vented central heating and domestic hot water systems and sealed systems.
5. A label giving details of the model, serial number and Gas Council number is situated on the rear of the lower door panel ([Fig. 1](#)).
6. The boiler data badge is positioned on the air box door ([Fig. 2](#)).
7. The boiler is intended to be installed in residential / commercial / light industrial E.M.C. environments on a governed meter supply only.
8. The boiler must be installed with one of the purpose designed flues such as the standard horizontal flue kit, part no 236921.

1.2 Important Information

Man-made mineral fibre

- Some component parts of this appliance (insulation pads, gaskets and rope seals) are manufactured from man-made mineral fibre.
- Prolonged or excessive exposure to this material may result in some irritation to the eyes, skin or respiratory tract.
- It is advisable to wear gloves when handling these items.
- Irritant dust will only be released from the items if they are broken up or subjected to severe abrasion. In these instances a suitable dust mask and goggles should be worn.
- Always thoroughly wash hands after installation, servicing or changing components.
- When disposing of any items manufactured from man-made mineral fibre care must be exercised.
- If any irritation of the eyes or severe irritation of the skin is experienced seek medical attention.

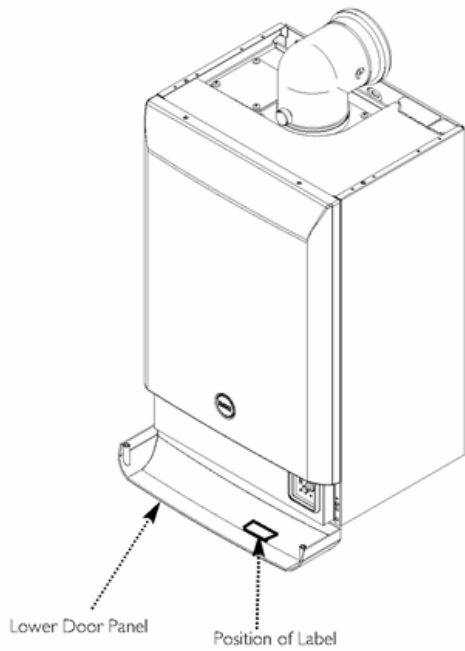


Fig. 1

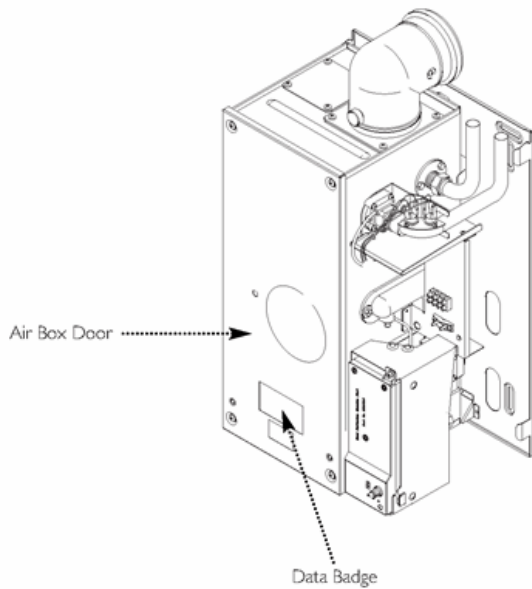


Fig. 2

page 7

2.0 General Layout

2.1 Layout ([Figs. 3, 4, 5 & 6](#))

1. Wall Plate
2. Flue Elbow
3. Heat Exchanger
4. Burner
5. Air Box
6. Fan Protection Thermostat
7. Fan Assembly
8. Condensate Trap
9. PCB Housing Assembly
10. Gas Tap
11. Gas / Air Ratio Valve
12. Flow Pipe Connection
13. Return Pipe Connection
14. Flow Temperature Safety Thermostat - Black
15. Flow Temperature Thermistor - Red

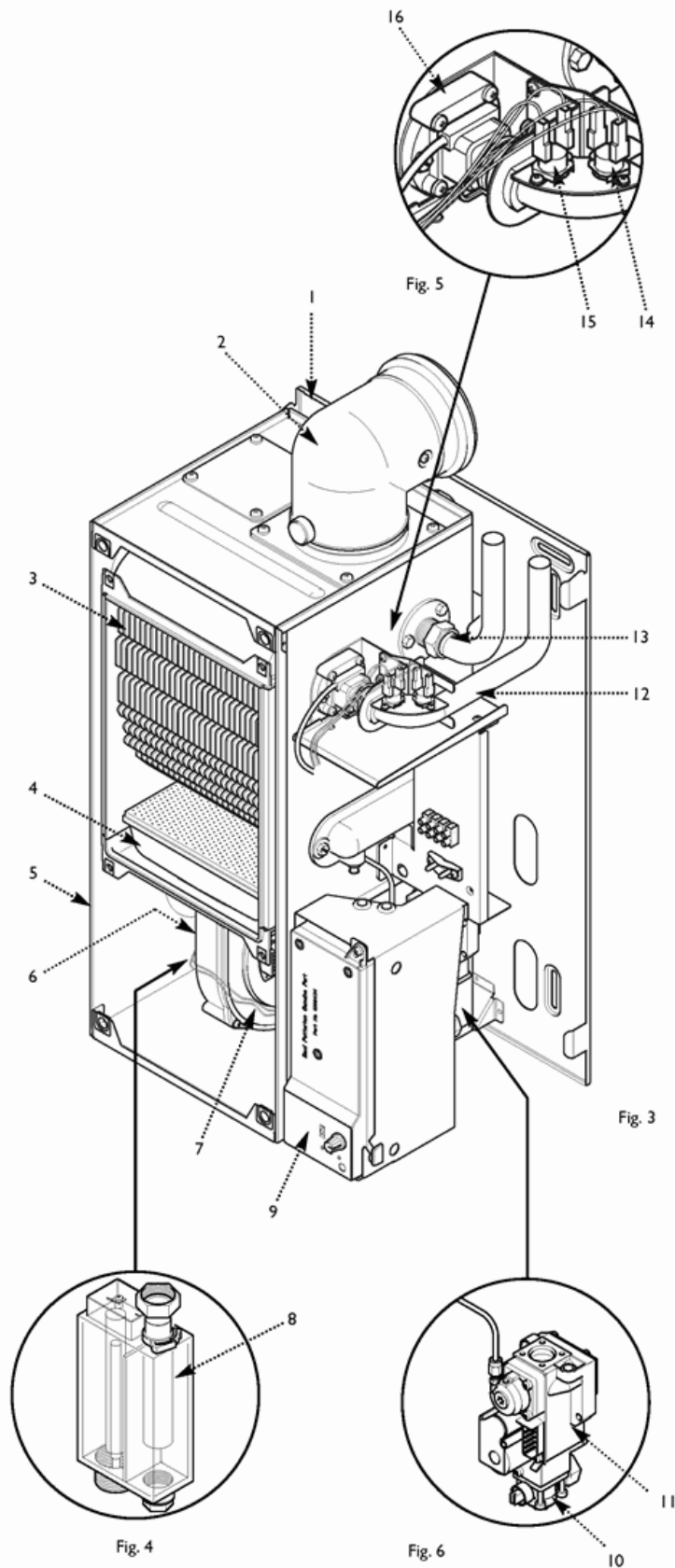


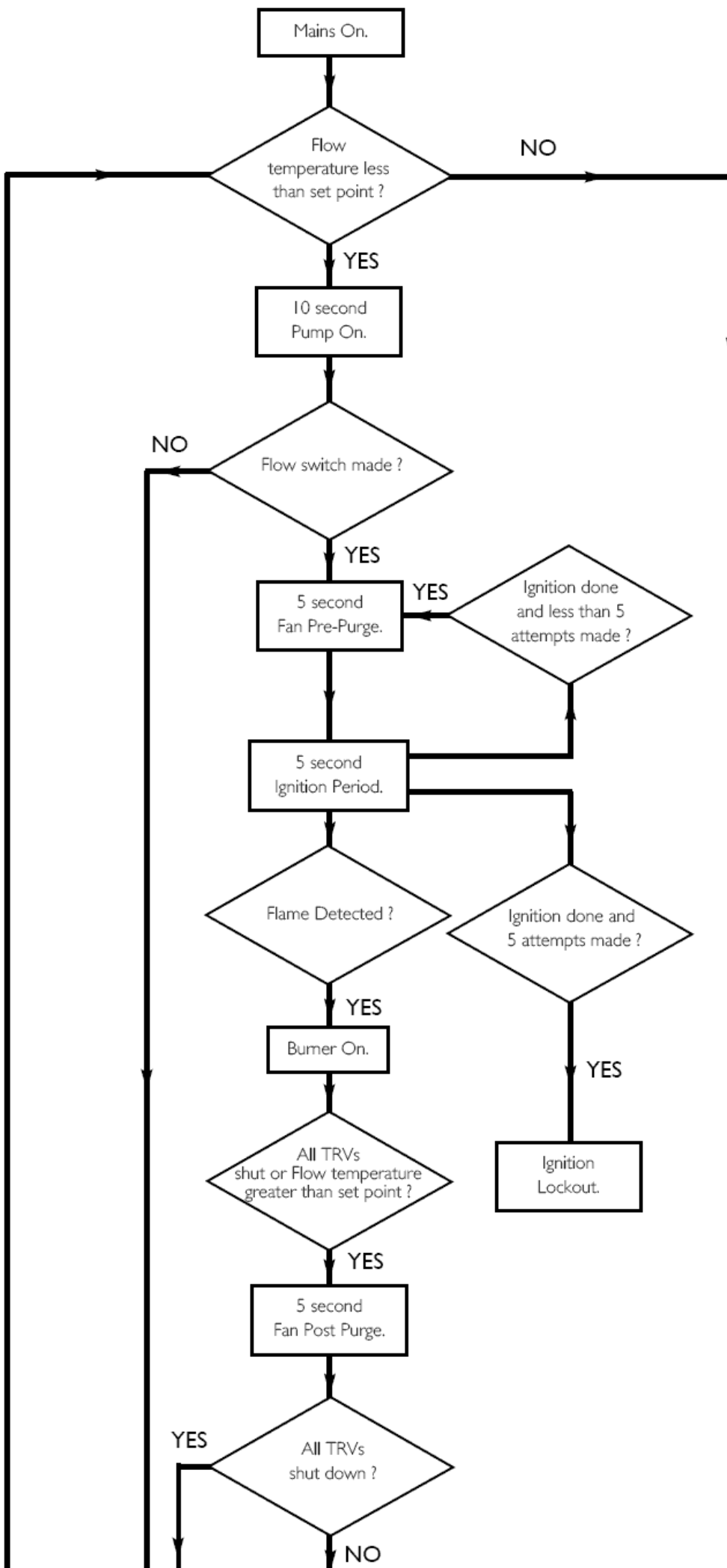
Fig. 3, Fig. 4, Fig. 5 & Fig. 6

3.0 Appliance Operation

3.1

1. **Switched Live On:** When the switched live switches on if the flow temperature is less than the set point then pump overrun occurs. When the switched live switches on if the flow temperature is greater than the set point then pump overrun occurs.

2. **Pump On:** The pump is on while the fan, spark generator and gas valve are off. After 10 seconds if the flow switch has made then fan pre-purge occurs. After 10 seconds if the flow switch has not made then anticycle occurs.
3. **Fan Pre-Purge:** The pump and fan are on while the spark generator and gas valve are off. After 5 seconds ignition occurs.
4. **Ignition:** The pump, fan, spark generator and gas valve are on. If a flame is detected then burner on occurs. If a flame is not detected within 5 seconds and less than 5 ignition attempts have been made then fan purge occurs. If a flame is not detected within 5 seconds and 5 ignition attempts have been made then ignition lockout occurs.
5. **Burner On:** The pump, fan and gas valve are on while the spark generator is off. Flow temperature is controlled by varying the fan speed (and thereby the gas rate) to achieve optimum operation. If the flow temperature is greater than the set point or the TRVs all shut down then fan post purge occurs.
6. **Fan Post Purge:** The pump and fan are on while the spark generator and gas valve are off. After 5 seconds if the TRVs are not shut down then pump overrun occurs. After 5 seconds if the TRVs are shut down then anti-cycle occurs.
7. **Pump Overrun:** The pump is on while the fan, spark generator and gas valve are off. After 1 minute anticycle occurs.
8. **Anti-cycle:** The pump, fan, spark generator and gas valve are off. After 3 minutes if the flow temperature is less than the set point then pump on occurs. After 3 minutes if the flow temperature is greater than the set point then pump overrun occurs.
9. **Ignition Lockout:** The pump, fan, spark generator and gas valve are off. The boiler can only be reset by manually using the reset button.



4.0 Technical Data

Appliance Type	Appliance Category	C13	C33	C53
Heat Input (Q)(Gross)				
12 model		13.34	13.34	10.2
15 model		16.88	16.88	10.2
18 model		20.18	20.18	10.2
24 model		24.50	24.50	10.2
30 model		33.76	33.76	10.2
(see note)		115,200	115,200	34,840
Heat Output (P)	(Non Condensing 70° C Mean Water Temp)			
		Max		Min
12 model		11.82		9.14
		Btu/hr	40,330	31,180
15 model		15.24		9.14
		Btu/hr	52,000	31,180
18 model		17.81		9.14
		Btu/hr	60,770	31,180
24 model		22.00		9.14
		Btu/hr	75,000	31,180
30 model		30.18		9.14
		Btu/hr	102,980	31,180
Heat Output (P)	(Condensing 40° C Mean Water Temp)			
		Max		Min
12 model		12.81		
		Btu/hr	43,400	
15 model		16.49		10.1
		Btu/hr	56,260	34,520
18 model		19.27		
		Btu/hr	64,898	
24 model		23.8		10.1
		Btu/hr	81,200	34,520
30 model		32.61		10.1
		Btu/hr	113,280	34,520

NOTE: All data in this section are nominal values and subject to normal production tolerances

NOTE: The maximum output of the 30 model is factory set at 22.0kW (75,000 Btu/hr). This can be altered to 30.18kW (102,980 Btu/hr) - see [section 10.8](#).

SEDBUK Declaration

- For 12 model - The efficiency is 90.5%
- For 15 model - The efficiency is 91.3%
- For 18 model - The efficiency is 90.4%
- For 24 model - The efficiency is 90.9%
- For 30 model - The efficiency is 90.9%

This value is used in the UK Government's Standard Assessment Procedure (SAP) for energy rating of dwellings. The test data from which it has been calculated has been certified by 0087.

Max Gas Rate (After 10 Mins)	(2H - G20 - 20mbar)				
	(12)	(15)	(18)	(24)	(30)
Btu/hr	40,950	52,000	61,400	75,000	102,980
m ³ /hr	1.34	1.64	1.94	2.31	2.95
ft ³ /hr	47.3	52.1	68.5	83.3	104.2
Injector (Natural Gas)	6.5mm Diameter				
Nox Class	5				
Horizontal					
Flue Terminal	Diameter		110mm		
Dimensions	Projection		150mm		

Connections

Gas Supply	-	1/2in BSPT
Central Heating Flow	-	22mm*
Central Heating Return	-	22mm*
Condensate Drain	-	1 in BSP

* 2 x 22mm to 3/4" couplings are provided in the boiler fittings pack

Outer Case Dimensions

Overall Height Inc Flue Elbow	-	750mm
Casing Height	-	600mm
Casing Width	-	390mm
Casing Depth	-	298mm

Clearances

(For unventilated compartments see [Section 7.2](#))

Both Sides	5mm Min
Above Casing	200mm Min
Below Casing	50mm Min
Front (For Servicing)	500mm Min
Front (In Operation)	5mm Min

Weights

	kg
Packaged Boiler Carton	36.2
Packaged Flue Kit	3.6
Installation Lift Weight	26.0

CO/CO² Ratio Up to a maximum of 0.004

CO² Level 9% ± 1%

Electrical Supply 230V~ 50Hz

(Appliance must be connected to an earthed supply)

Power Consumption	80W
External Fuse Rating	3A
Internal Fuse Rating	(BS 4265)
Fuse	3.15 AT (PCB)
Electrical Protection	IPX2

Water Content

litres	2.6
pints	4.6
Static Head	max 30 metres (100 ft)
	min 1 metre (3.25 ft)
Low Head	0.2m (8 in) min

System Detail

fully pumped open vented & sealed systems

Gas Connection

G^{1/2}" B.S.P. Thread

Controls

boiler thermostat, safety thermostat, flow switch, electronic flame sensing, temperature protection thermostat & condensate blockage sensor

Inlet Pressure at Gas Valve (Natural Gas)

Min	18.1 mbar
Max	22.5 mbar

(see [Section 12.1](#))

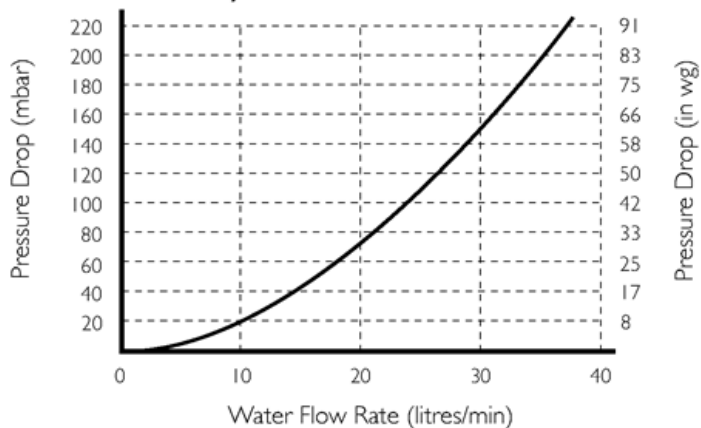
Flow Temperature (adjustable)

55° C to 78° C (± 5° C)

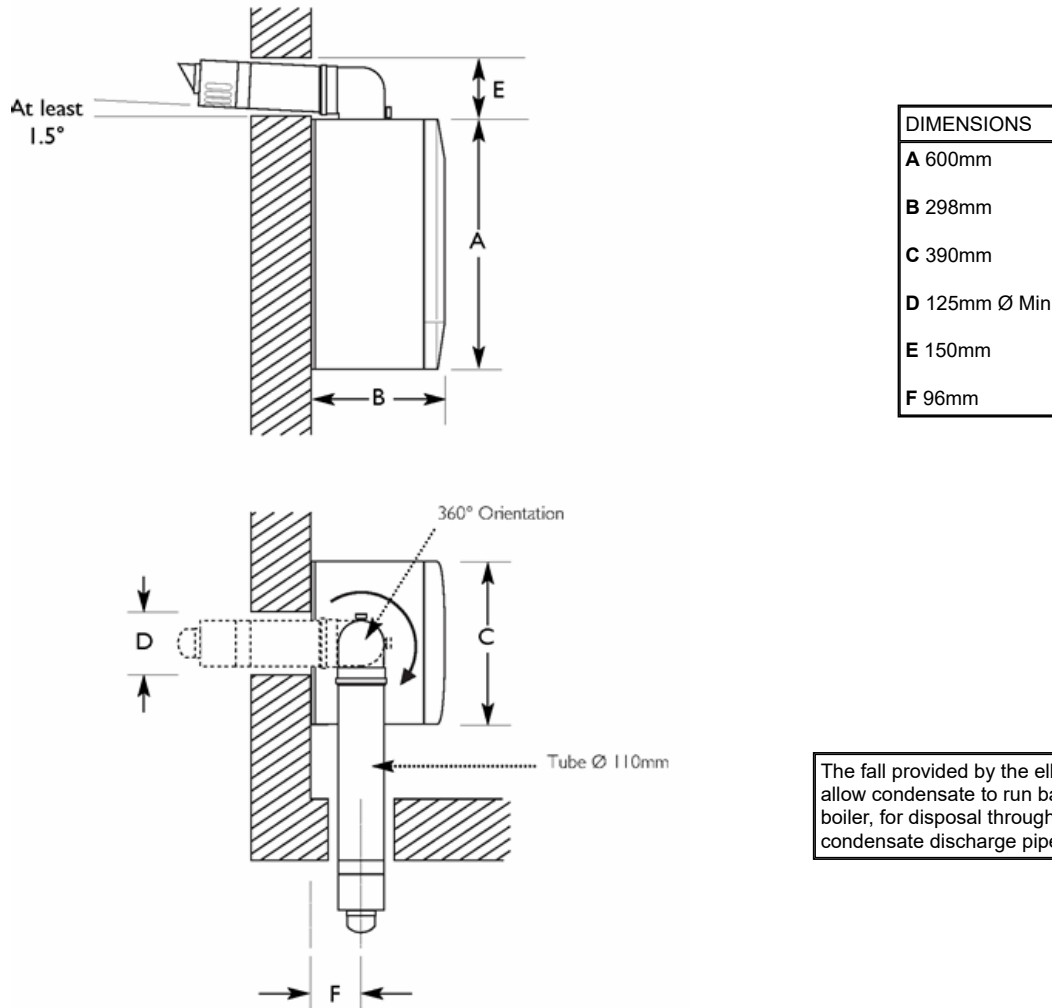
Recommended System Temperature Drop

Condensing 20°C 36°F

Hydraulic Resistance Chart



5.0 Dimensions and Fixing



The fall provided by the elbow is to allow condensate to run back to the boiler, for disposal through the condensate discharge pipe.

Fig. 7

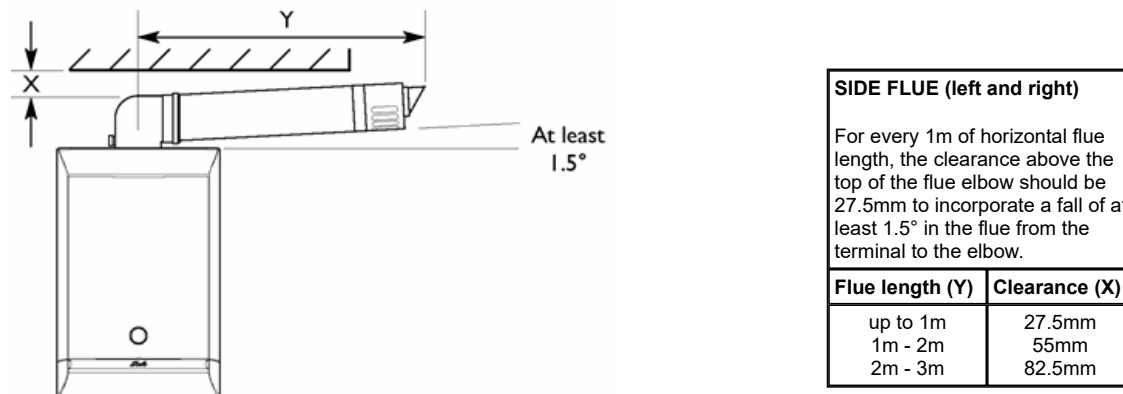


Fig. 8

6.0 System Details

6.1 Water Circulating Systems

1. The appliance is suitable for use with open vent fully pumped systems and sealed systems.

The following conditions should be observed on all systems:

- The static head must not exceed 30m (100ft) of water.
- The boiler must not be used with a direct cylinder.
- Drain cocks should be fitted to all system low points.
- All gas and water pipes and electrical wiring must be installed in a way which would not restrict the servicing of the boiler.

- Position isolating valves as close to circulating pump as possible.
- It is recommended that the return pipe is fitted with an automatic air vent as close to the boiler as is practical.

6.2 Treatment of Water Circulating Systems

- All recirculatory water systems will be subject to corrosion unless an appropriate water treatment is applied. This means that the efficiency of the system will deteriorate as corrosion sludge accumulates within the system, risking damage to pump and valves, boiler noise and circulation problems.
- When fitting new systems flux will be evident within the system, which can lead to damage of system components.
- All systems must be thoroughly drained and flushed out using, for example, Sentinel X300 or X400 or Fernox F3. They should be used following the flushing agent manufacturer's instructions.
- System additives - corrosion inhibitors and flushing agents/descalers should comply to BS7593 requirements, e.g. Sentinel X100 and Fernox MB-1 which should be used following the inhibitor manufacturer's instructions.
- Full instructions are supplied with the products, for further information contact Sentinel (0800 389 4670) or Fernox (0870 870 0362)

Failure to flush and add inhibitor to the system will invalidate the appliance warranty.

- It is important to check the inhibitor concentration after installation, system modification and at every service in accordance with the manufacturer's instructions. (Test kits are available from inhibitor stockists.)
- For information or advice regarding any of the above contact Technical Enquiries.

page 12

6.3 Pipework

1. The sizes of flow and return pipes from the boiler should be determined by normal methods, according to the requirements of the system. The connection on the boiler are 22mm. Two 22mm to $\frac{3}{4}$ " couplings are supplied in the boiler fittings kit.
2. A 20°C (36°F) drop in temperature across the system is recommended for condensing boilers. Existing radiators may be oversized and so allow this, but where radiator sizing is marginal it may be advisable to retain a system temperature drop of 11°C (20°F).

NOTE: On Solo 30 HE IE models 28mm pipe should be used to connect to the boiler flow and return.

3. In systems using non-metallic pipework it is necessary to use copper pipe for the boiler Flow and Return. The copper must extend at least 1 metre from the boiler and include any branches (Fig. 9).

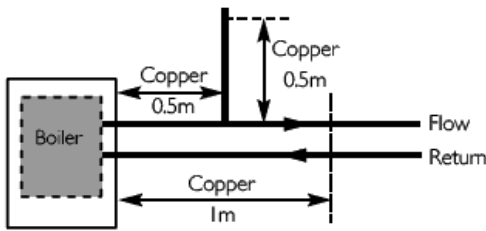
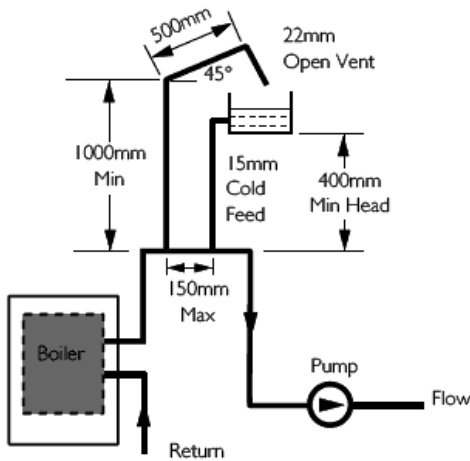


Fig. 9



Typical Low Head Installation

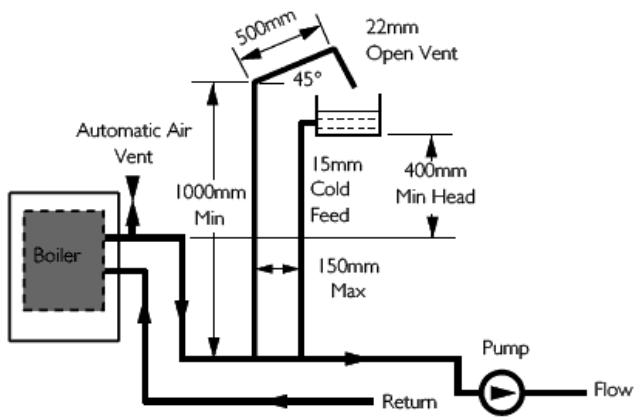
Fig. 10

6.4 Low Head Installation

1. Using a close couple arrangement the minimum head is as shown in the diagrams (Figs. 10 & 11) subject to the following conditions:
 - a) The pump being adjusted to give a 20°C drop across the boiler.
 - b) The pump must be fitted on the flow.
 - c) The pump must be fitted in accordance with the pump manufacturer's instructions.
 - d) The open vent pipe must be taken up from a tee in a horizontal section of the flow pipe.

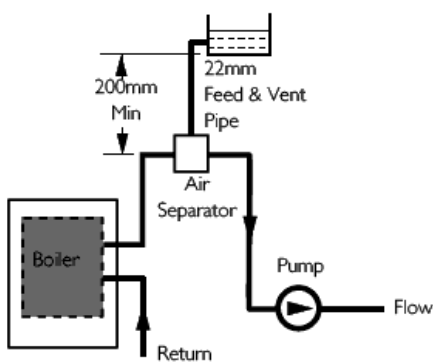
An alternative Low Head Installation (Fig. 12)

2. For heads below 400mm then a combined vent and feed pipe may be connected. This must be a minimum of 22mm diameter. It is recommended that an air separator is fitted when using a combined feed and vent pipe.



If Conditions Require,
This System Possible

Fig. 11



Alternative Low Head Installation

Fig. 12

6.5 Pump

1. Providing that the cold feed and open vent pipe are positioned correctly (e.g. the system is not prone to pumping over, air entrainment etc.) the pump may be fitted on the primary return pipe.

page 13

6.6 System Controls

This boiler does not require a bypass.

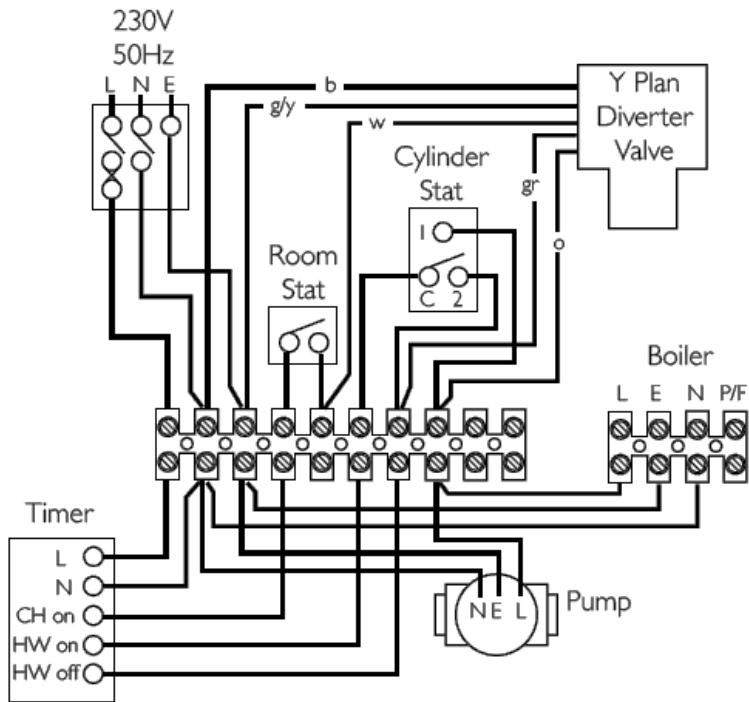
This boiler does not require a permanent live.

The pump only needs wiring directly to the boiler for fully TRV'd systems.

1. To comply with Part L1 of the Building Regulations the heating system into which the boiler is installed should include the following:
 - a) zone controls
 - b) timing controls
 - c) boiler control interlocks
2. Such a system needs to be fully pumped and must provide independent temperature and time control to both the heating and hot water circuits and have a boiler interlock.
3. The boiler should be controlled so that it operates on demand only. Where it is proposed to effect control by thermostatic radiator valves, a room thermostat (or other device such as a flow switch - a flow switch is integral to this boiler) should also be provided to switch off the boiler when there is no demand for heating or hot water.
4. The interlock for the CH circuit can be provided by either a Room Thermostat or a fully TRV'd system with the pump wired back to the boiler without a bypass. Connection diagrams for both options for Y and S plan systems are shown.

Key to colours

- b - Blue
- br - Brown
- w - White
- o - Orange
- gr - Grey
- g/y - Green/Yellow

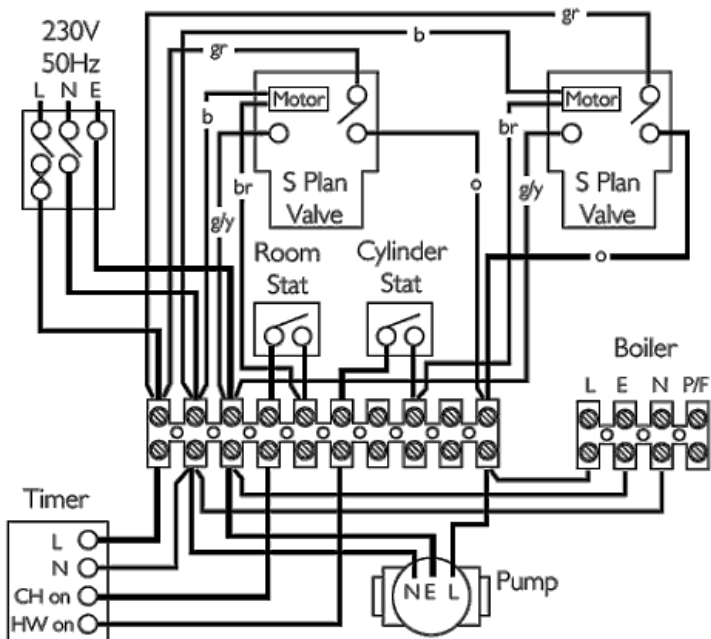


Y Plan, Room Thermostat System, CH Interlocked By Room Thermostat

At least the Radiator(s) near the Room Thermostat not TRV'd

Pump run from Switched Live

By-pass permitted but not required for Part L1 compliance

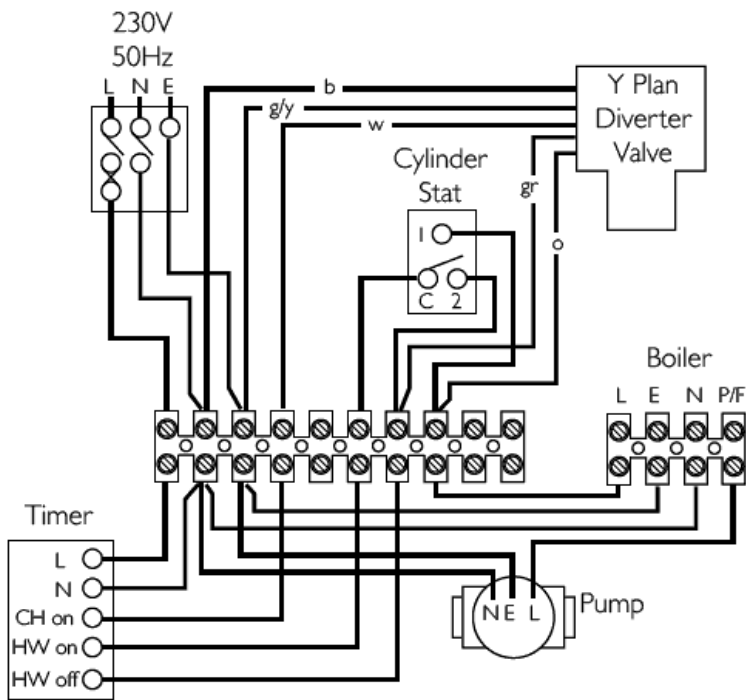


S Plan, Room Thermostat System, CH Interlocked By Room Thermostat

At least the radiator(s) near the Room Thermostat not TRV'd

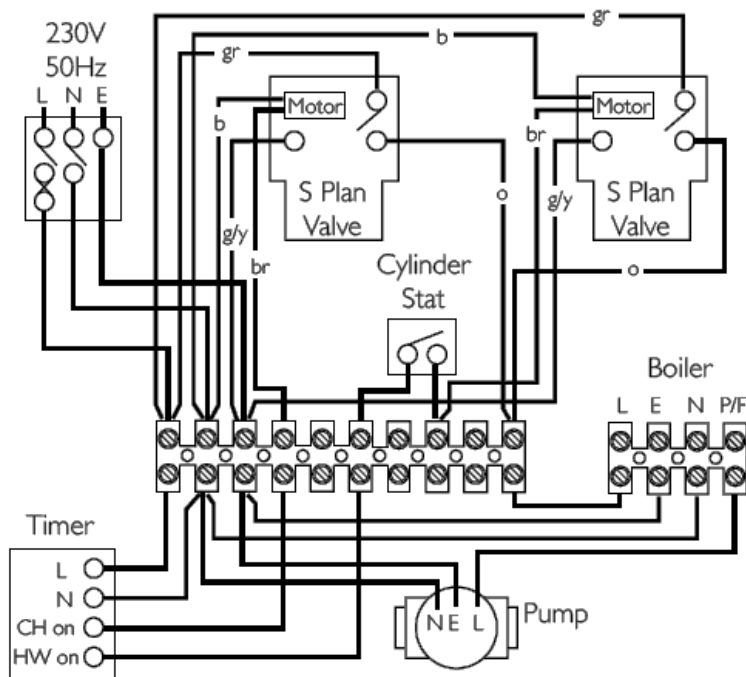
Pump run from Switched Live

By-pass permitted but not required for Part L1 compliance



Y Plan, Fully TRV'd System, CH Interlocked By Boiler Flow Switch

Room Thermostat should not be fitted
 Pump must be run from Boiler P/F connection for Part L1 compliance
 By-pass not permitted (must be valved off) for Part L1 compliance



S Plan, Fully TRV'd System, CH Interlocked By Boiler Flow Switch

Room Thermostat should not be fitted
 Pump must be run from Boiler P/F connection for Part L1 compliance
 By-pass not permitted (must be valved off) for Part L1 compliance

6.7 Sealed Systems (Fig. 13)

1. **SAFETY VALVE** - A safety valve complying with the requirements of BS 6750 Part 1 must be fitted close to the boiler on the flow pipe by means of a horizontal or vertically upward connection with no intervening valve or restrictions and should be positioned to facilitate testing. The valve should be pre-set and non-adjustable to operate at a pressure of 3 bar (45 lbf/in²). It must be arranged to discharge any water or steam through a pipe to a safe outlet position.
2. **PRESSURE GAUGE** - A pressure gauge of minimum range 0-4 bar (0-60 lbf/in²) with a fill pressure indicator must be fitted to the system, preferably at the same point as the expansion vessel in an easily visible position.
3. **EXPANSION VESSEL** - An expansion vessel complying with the requirements of BS 4814 must be fitted to the system by means of a connection close to the inlet side of the circulating pump in accordance with the manufacturers instructions, the connecting pipe being unrestricted and not less than 15mm (1/2 in) nominal size. The volume of the vessel should be suitable for the system water content and the nitrogen or air charge pressure should not be less than the system static head (See Table. 1).

Further details of sealed system design can be obtained from BS 5449 and the British Gas publication entitled 'Specifications for Domestic Wet Central Heating Systems'.

4. **FILLING POINT** - A filling point connection on the central heating return pipework must be provided to facilitate initial filling and pressurising and also any subsequent water loss replacement / refilling. The sealed primary circuits may be filled or replenished by means of a temporary connection between the primary circuit and a supply pipe provided a 'Listed' double check valve or some other no less effective backflow prevention device is permanently connected at the inlet to the circuit and the temporary connection is removed after use. The filling method adopted must be in accordance with all relevant water supply regulations and use approved equipment.

Your attention is drawn to,
 for GB: Guidance G24.2 and recommendation R24.2 of the Water Regulations Guide.
 for IE: the current edition of I.S. 813 "Domestic Gas Installations".

5. **MAKE UP SYSTEM** - A method of replacing water lost from the system should be provided either by means of a make up vessel of not more than 3 litres (5 pints) capacity, mounted above the highest point of the system, or by re-pressurisation of the system.
 6. **VENTING** - A method of venting the system during filling and commissioning must be provided by fitting automatic air vents or by venting manually.
 7. **HOT WATER STORAGE** - The hot water storage vessel must be of the indirect coil type. All components used in the system must be suitable for operation at 110°C (230°F) and at the pressure allowed by the safety valve.

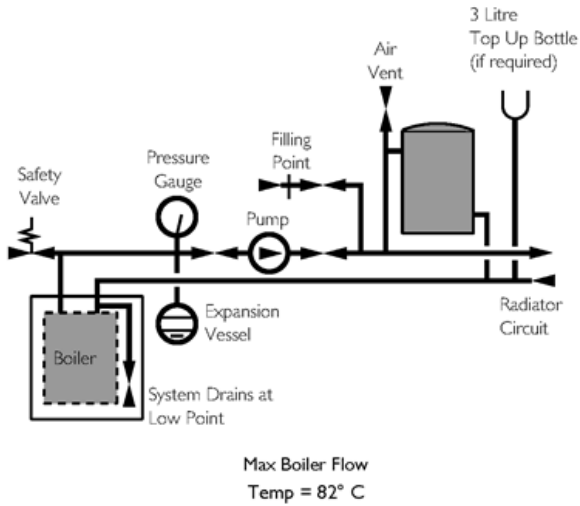


Fig. 13

Method of determining minimum valve of expansion vessel volume for sealed systems using Baxi Boilers

Vessel Charge Pressure (Bar)	Initial System Pressure (Bar)	Multiply Total Water Content Of System By (Litres)
0.5	0.5	0.067
	1.0	0.112
	1.5	0.207
	2.0	0.441
1.0	1.0	0.087
	1.5	0.152
	2.0	0.330
1.5	1.5	0.125
	2.0	0.265

Table. 1 Example :- System Volume = 75 litres
 Vessel Charge Pressure = 1.0 bar
 Initial System Pressure = 1.5 bar

Then :- $75 \times 0.152 = 11.4$ litres
 Expansion Vessel Volume

NOTE

Where a vessel of the calculated size is not obtainable then the next available larger size should be used.

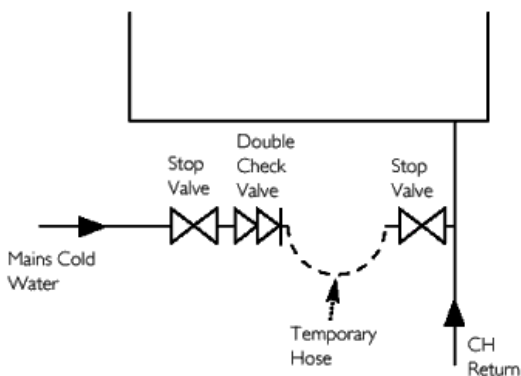


Fig. 14

7.0 Site Requirements

7.1 Location

NOTE: Due to the high efficiency of the boiler a plume of water vapour will be discharged from the flue. This should be taken into account when siting the flue terminal.

1. The boiler may be fitted to any suitable wall with the flue passing through an outside wall or roof and discharging to atmosphere in a position permitting satisfactory removal of combustion products and providing an adequate air supply. The boiler should be fitted within the building unless otherwise protected by a suitable enclosure i.e. garage or outhouse. (The boiler may be fitted inside a cupboard - see [Section 7.2](#)).
2. If the boiler is sited in an unheated enclosure then it is recommended to incorporate an appropriate device for frost protection in the system controls.
3. If the boiler is fitted in a room containing a bath or shower it **MUST NOT BE** fitted in zone 0, 1 or 2, **ONLY** within the shaded area ([Figs. A & B](#) shows zone dimensions for a bathtub. For other examples refer to the Current I.E.E. Wiring Regulations) reference must be made to the relevant requirements. In GB this is the current I.E.E. Wiring Regulations and Building Regulations. In IE reference should be made to the current edition of I.S. 813 "Domestic Gas Installations" and the current ETCI rules.
4. If the boiler is to be fitted into a building of timber frame construction then reference must be made to the current edition of Institute of Gas Engineers Publication IGE/UP/7 (Gas Installations in Timber Framed Housing).

7.2 Ventilation of Compartments

1. Where the boiler is installed in a cupboard or compartment, no air vents are required for cooling purposes providing that the minimum dimensions below are maintained.

Sides	15mm
Top	200mm
Bottom	50mm
Front	30mm

2. If the boiler is installed in a smaller cupboard or compartment it must be ventilated according to BS 5440 Part 2 and the minimum clearances given in [section 4.0](#) "Technical Data" maintained.
3. Any compartment should be large enough to house the boiler only.

NOTE: The ventilation label on the front of the outer case MUST NOT BE REMOVED when the appliance is installed in a compartment or cupboard.

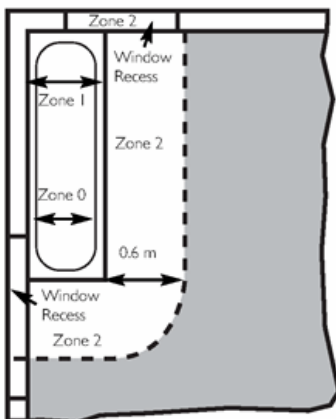


Fig. A In GB Only

Fig. A

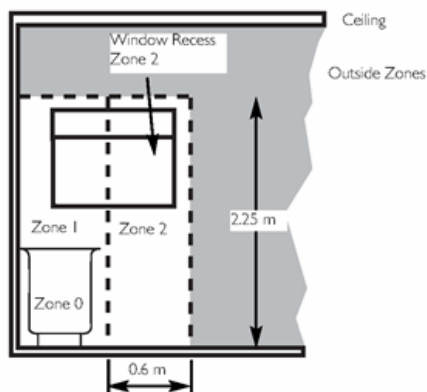


Fig. B In GB Only

Fig. B

7.3 Clearances (Figs. 15 & 16)

1. A flat vertical area is required for the installation of the boiler.
2. These dimensions include the necessary clearances around the boiler for case removal, spanner access and air movement. Additional clearances may be required for the passage of pipes around local obstructions such as joists running parallel to the front face of the boiler.
3. For unventilated compartments see [Section 7.2](#).

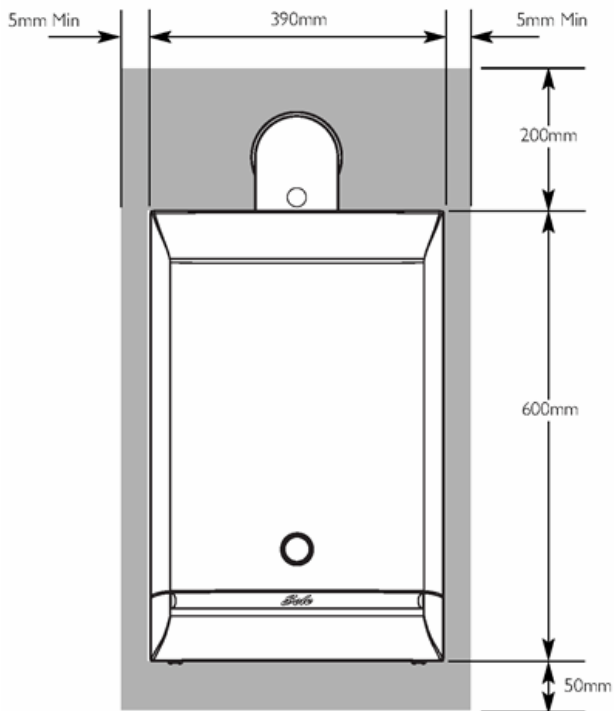


Fig. 15

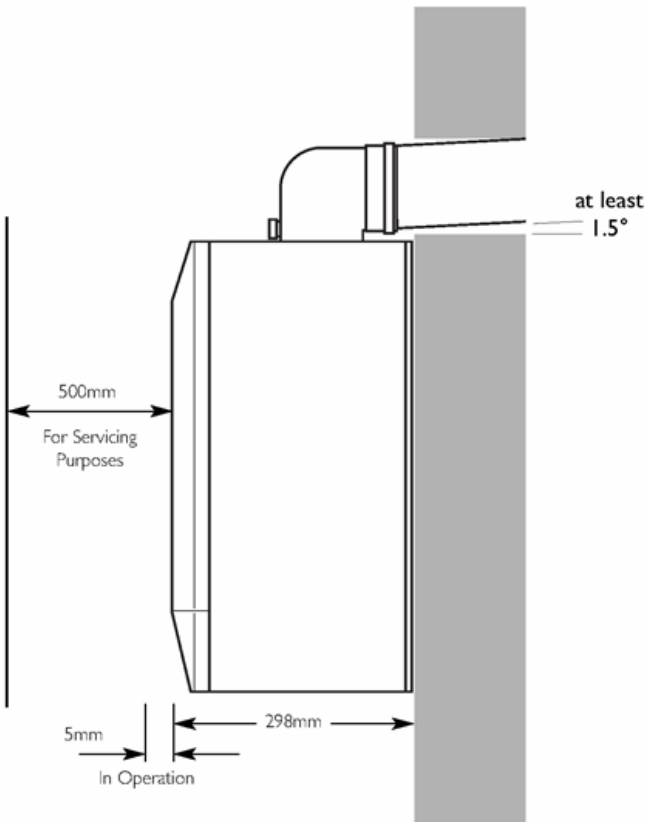


Fig. 16

7.4 Gas Supply

1. The gas installation should be in accordance with the relevant standards. In IE this is the current edition of I.S. 813 "Domestic Gas Installations".
2. The connection to the appliance is a 1/2in BSPF.
3. Ensure that the pipework from the meter to the appliance is of adequate size to ensure correct operation. Do not use pipes of a smaller diameter than the boiler gas connection.

7.5 Electrical Supply

1. External wiring must be correctly earthed, polarised and in accordance with relevant regulations/rules. In IE reference should be made to the current edition of ETCI rules.
2. The mains supply is 230V ~ 50Hz fused at 3A.

NOTE: "The method of connection to the electricity supply must facilitate complete electrical isolation of the appliance".

Note! There is no method of isolating the boiler, at the user interface.

Connection may be via a fused double-pole isolator with a contact separation of at least 3mm in all poles and servicing the boiler and system controls only.

WARNING: The PCB Control and Fan Assembly are 325 Vdc. Isolate at supply before access.

page 17

7.6 Condensate Drain

FAILURE TO INSTALL THE CONDENSATE DISCHARGE PIPEWORK CORRECTLY WILL AFFECT THE RELIABLE OPERATION OF THE BOILER.

CAREFUL CONSIDERATION MUST BE GIVEN TO THE POSSIBILITY OF THE PIPEWORK BEING SUBJECT TO FREEZING CONDITIONS AND APPROPRIATE MEASURES TAKEN TO PREVENT BLOCKAGE. CORRECT INSTALLATION IN ACCORDANCE WITH THIS SECTION WILL CONSIDERABLY MINIMISE THE LIKELIHOOD OF BLOCKAGE AND SUBSEQUENT BOILER LOCK-OUT.

A CONDENSATE DISCHARGE PUMP AND PIPE 'TRACE HEATING' ARE AVAILABLE AS ACCESSORIES - see [paragraphs 7.6.12 to 7.6.15](#) for further details.

The condensate discharge pipe MUST NOT RISE at any point along its length. There MUST be a fall of AT LEAST 2.5° (50mm per metre) along the entire run EXCEPT when employing a suitable condensate pump in basement and cellar or similar applications.

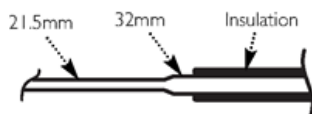
The boiler condensate trap incorporates a seal of 75mm, therefore it is unnecessary to install an air break and trap in the discharge pipework.

1. The condensate outlet will accept 21.5mm (3/4in) plastic overflow pipe. **It is strongly recommended that this discharges internally into the household drainage system.** Where this is not possible, discharge into an outside drain is permissible providing every possible precaution is taken to prevent freezing.
2. Ensure the discharge of condensate complies with any national or local regulations in force. **BS 6798 & Part H1 of the Building Regulations give further detailed guidance.**
3. The discharge pipe should be run in a proprietary drain pipe material e.g. PVC, PVC-U, ABS, PVC-C or PP.
4. Metal pipework is NOT suitable for use in condensate discharge systems.
5. The pipe should be a minimum of 21.5mm diameter and must be supported using suitably spaced clips of the correct design to prevent sagging.
6. **It is advisable that the full length of condensate pipe is run internally and preferably be less than 3 metres.**
7. **Internal runs greater than 3 metres or runs in cold areas should use 32mm waste pipe.**
8. **External runs MUST be a MINIMUM of 32mm and fully insulated with material suitable for external use.**
9. If the boiler is fitted in an unheated location the entire condensate discharge pipe should be treated as an external run and sized and insulated accordingly.
10. In all cases discharge pipe must be installed to aid disposal of the condensate. To reduce the risk of condensate being trapped, as few bends and fittings as possible should be used and any burrs on cut pipe removed.

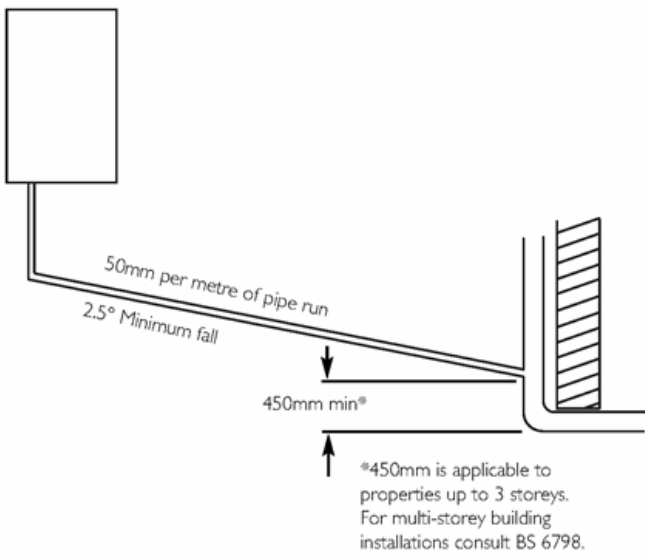
Examples are shown of the following methods of termination:-

- i) [to an internal soil & vent pipe](#)
- ii) [via an internal discharge branch \(e.g. sink waste\) downstream of the trap](#)
- iii) [to a drain or gully](#)
- iv) [to a purpose made soakaway](#)
- v) [pumped into an internal discharge branch \(e.g. sink waste\) downstream of the trap](#)
- vi) [pumped into an external soil & vent pipe](#)
- vii) [to a drain or gully with extended external run & trace heating](#)

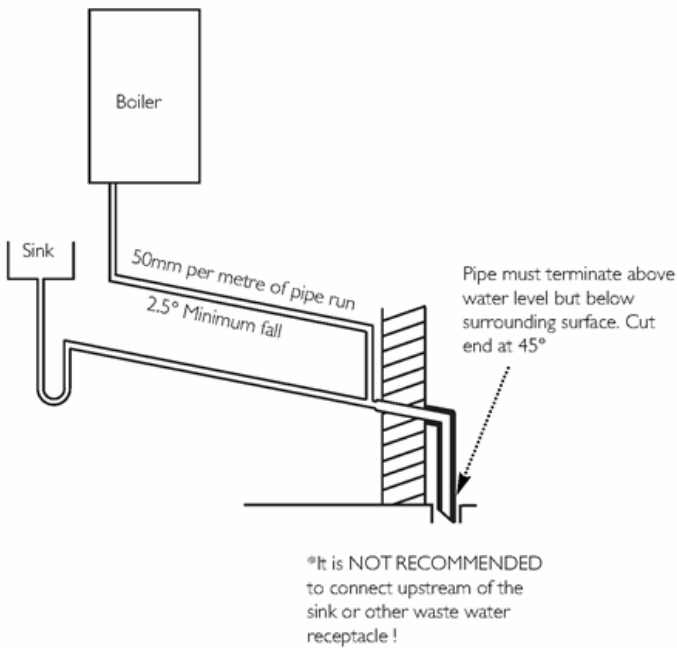
It is strongly recommended to discharge internally into the household drainage system. If connecting to a rain water drain, that drain MUST discharge into a foul drain.



- i) Termination to an internal soil and vent pipe



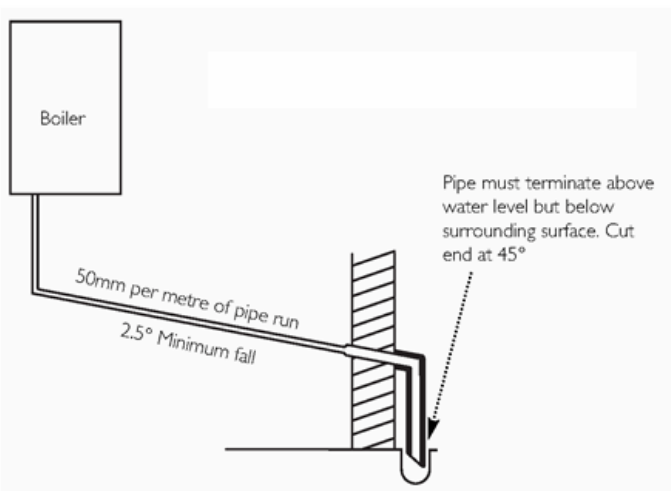
ii) External termination via internal discharge branch e.g sink waste - downstream*



page 18

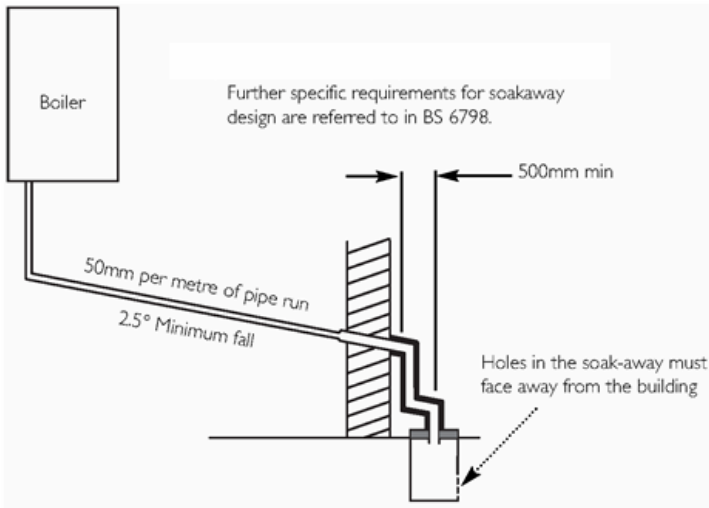
11. When discharging condensate into a soil stack or waste pipe the effects of existing plumbing must be considered. If soil pipes or waste pipes are subjected to internal pressure fluctuations when WC's are flushed or sinks emptied then back-pressure may force water out of the boiler trap and cause appliance lockout.

iii) Termination to a drain or gully



iv) Termination to a purpose made soakaway

Further specific requirements for soakaway design are referred to in BS 6798.



page 19

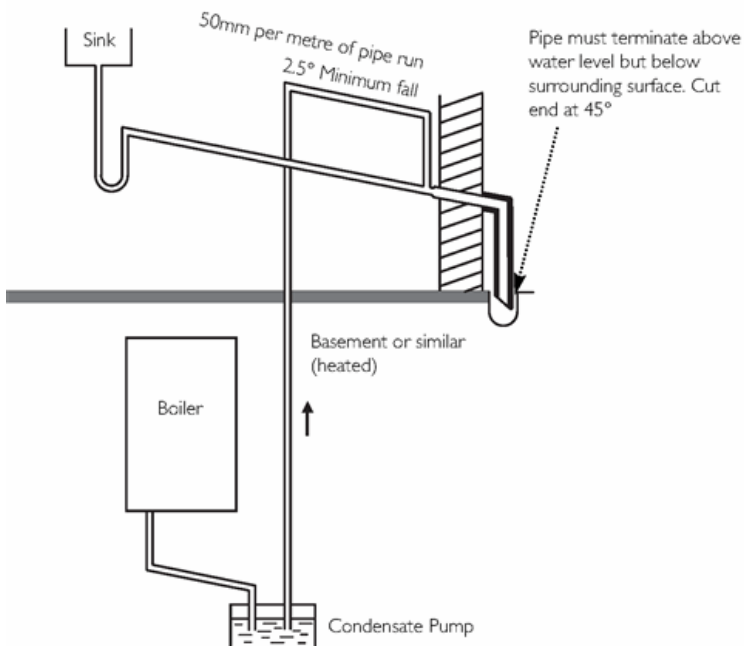
12. A boiler discharge pump is available, 'MULTIFIT' part no. 720648301. This pump will dispose of both condensate & high temperature water from the relief valve. It has a maximum head of 5 metres. Follow the instructions supplied with the pump.
13. Condensate Drain Pipe 'Trace Heating' Elements are available in various lengths. 'MULTIFIT' part nos.:-

- 1 metre 720644401
- 2 metre 720664101
- 3 metre 720664201
- 5 metre 720664401*

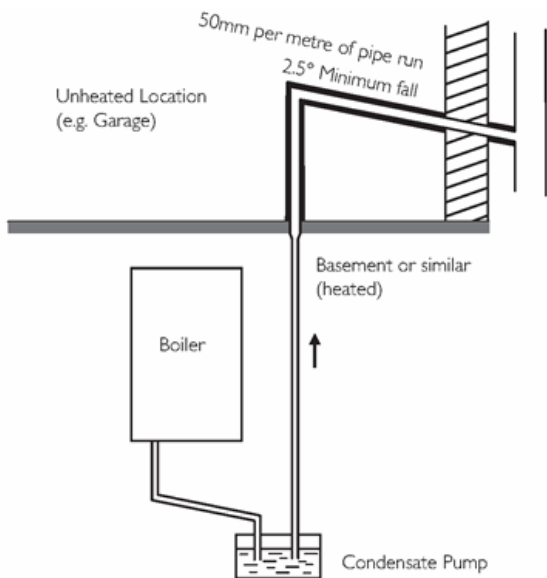
*Where the drain is between 3 & 5 metres a 5 metre kit can be used and "doubled back" upon itself.

14. It is possible to fit the element externally on the condensate drain or internally as detailed in the instructions provided.
15. The fitting of a 'Trace Heating' Element is NOT a substitute for correct installation of the condensate drain. ALL requirements in this section must still be adhered to.

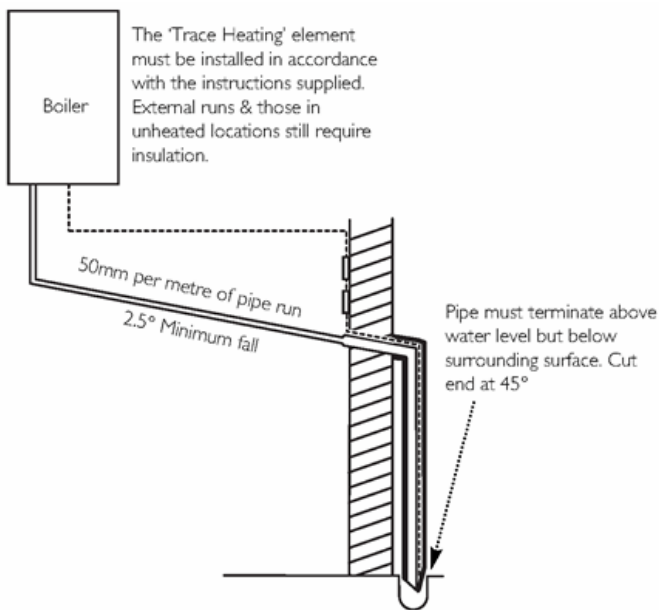
v) pumped into an internal discharge branch (e.g. sink waste) downstream of the trap



vi) pumped into an external soil & vent pipe



vii) to a drain or gully with extended external run & trace heating



7.7 Flue

NOTE: Due to the high efficiency of the boiler a plume of water vapour will be discharged from the flue. This should be taken into account when siting the flue terminal.

1. The following guidelines indicate the general requirements for siting balanced flue terminals. For IE recommendations are given in the current edition of I.S. 813 "Domestic Gas Installations".
2. If the terminal discharges onto a pathway or passageway, check that combustion products will not cause a nuisance and that the terminal will not obstruct the passageway.
3. Take into consideration the effect the plume of vapour may have on neighbours when siting the flue.
4. Adjacent surfaces close to the flue terminal may need protection from the effects of condensation. Alternatively a flue deflector kit (part no. 248167) is available.
5. For installation of the flue into an internal corner at the 25mm dimension the flue deflector kit (part no. 248167) must be fitted.
6. * Reduction to the boundary is possible down to 25mm but the flue deflector kit (part no. 248167) must be fitted.
7. If required a suitable terminal guard is available from Baxi for use with the flue deflector.
8. For fitting under low soffits and eaves it is acceptable for the flue to project up to 500mm from the face of the wall to the inside of the air intake. This can be painted if required using a suitable external paint.
9. If a terminal is less than 2 metres ($78\frac{3}{4}$ in) above a balcony, above ground or above a flat roof to which people have access, then a suitable terminal guard must be provided.

IMPORTANT:

- Under car ports we recommend the use of the plume displacement kit.
- The terminal position must ensure the safe and nuisance - free dispersal of combustion products.

A¹ Directly below an opening, air brick, opening windows, etc.	300
B¹ Above an opening, air brick, opening window etc.	300
C¹ Horizontally to an opening, air brick, opening window etc.	300
D² Below gutters, soil pipes or drain pipes.	25 (75)
E² Below eaves.	25 (200)
F² Below balconies or car port roof.	25 (200)
G² From a vertical drain pipe or soil pipe.	25 (150)
H² From an internal (i) or external (ii) corner.	(i) 25 (300) (ii) 115
I Above ground, roof or balcony level.	300
J From a surface or boundary line facing a terminal.	600
K From a terminal facing a terminal (Horizontal flue).	1200
From a terminal facing a terminal (Vertical flue).	600
L From an opening in carport (e.g. door, window) into the dwelling.	1200
M Vertically from a terminal on the same wall.	1500
N Horizontally from a terminal on the same wall.	300
R From adjacent wall to flue (vertical only).	300
S From an adjacent opening window (vertical only).	1000
T Adjacent to windows or openings on pitched and flat roofs	600
U Below windows or openings on pitched roofs	2000

¹ In addition, the terminal should be no nearer than 150 mm to an opening in the building fabric formed for the purpose of accommodating a built-in element such as a window frame.

² Only **ONE** 25mm clearance is allowed per installation. If one of the dimensions D, E, F, G or H is 25mm then the remainder **MUST** be as B.S.5440-1.

NOTE: The distance from a fanned draught appliance terminal installed parallel to a boundary may not be less than 300mm in accordance with the diagram below

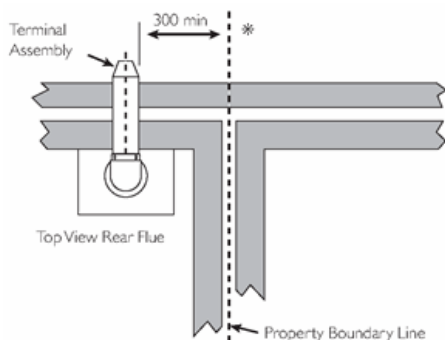


Fig. 16a

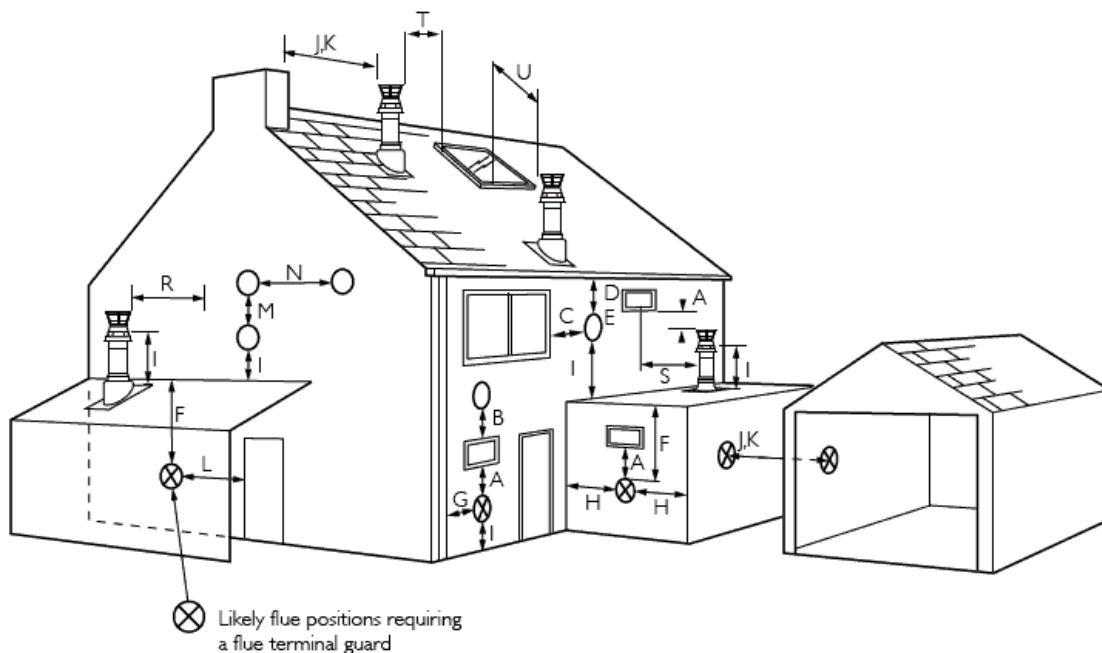


Fig. 17

IMPORTANT: If fitting a Plume Displacement Flue Kit, the air inlet must be a minimum of 150mm from any opening windows or doors (see [Section 9.0](#)).

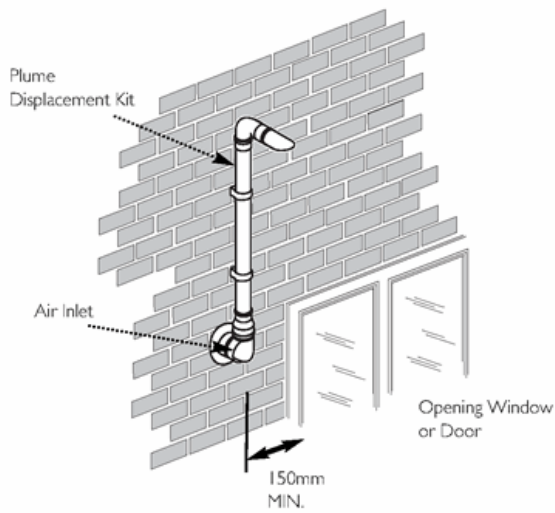


Fig. 17c

8.0 Flue Options

8.1 Horizontal Flue Systems

Concentric

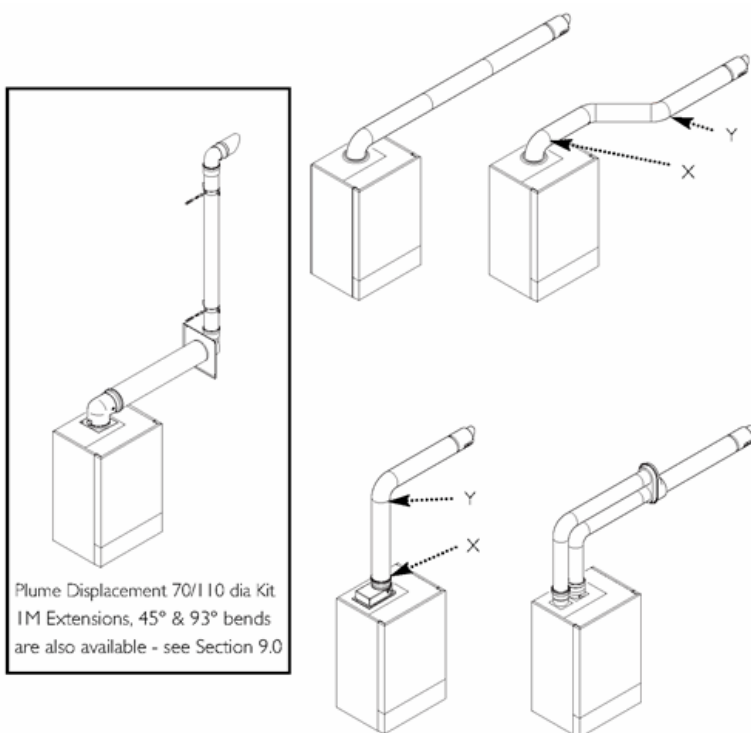
The maximum equivalent lengths are 4m (horizontal) or (vertical). Their lengths exclude the standard elbow and flue/terminal assembly (horizontal) and terminal assembly (vertical).

Any additional "in line" bends in the flue system must be taken into consideration. Their equivalent lengths are:

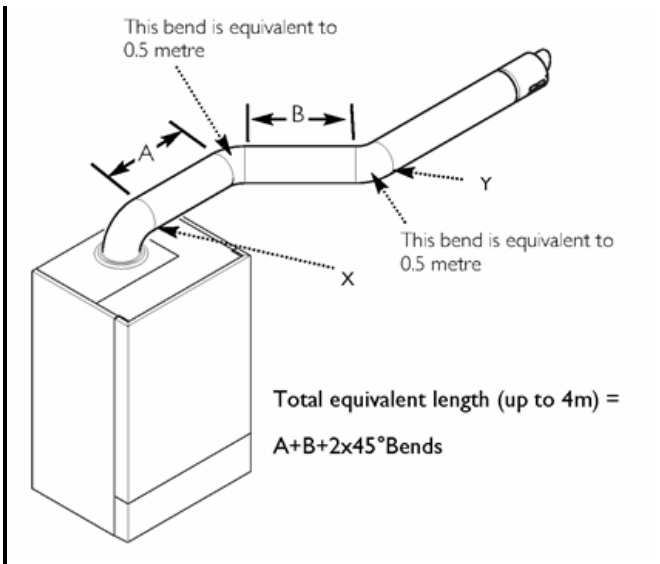
Concentric Pipes:	45° bend	0.5 m
	93° bend	1.0 m

NOTE: Flue length is measured from point X to Y as shown.

IMPORTANT: All flue systems must be securely supported at least once every metre. Suitable pipe supports are available as accessories.



NOTE: Horizontal flue pipes should always be installed with at least 1.5° fall from the terminal to allow condensate to run back to the boiler.



page 22

8.2 Twin & Vertical Flue Systems

Concentric

The maximum equivalent lengths are 4m (vertical). Their lengths exclude the standard elbow and terminal assembly (vertical).

Twin Flue

The total maximum equivalent flue length is 150m

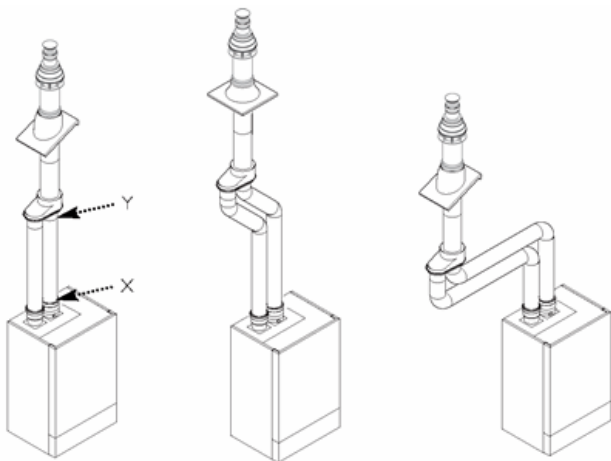
NOTE: Each 1m of flue duct should be calculated as 2m. Any additional "in line" bends in the flue system must be taken into consideration. Their equivalent lengths are:

Concentric Pipes: 135° bend	0.5 m
93° bend	1.0 m

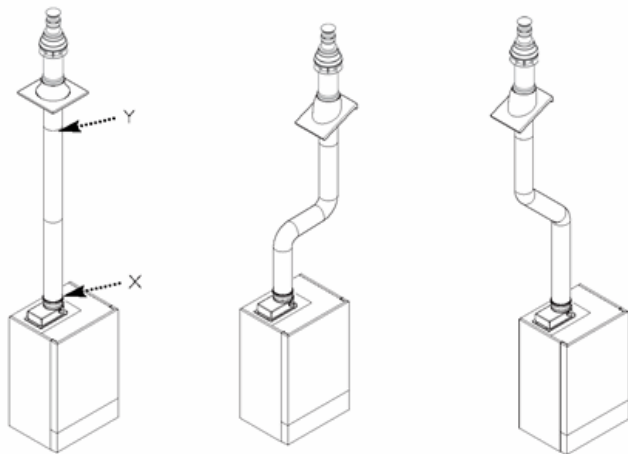
Twin Flue Pipe: 135° bend (air duct)	1.3 m
135° bend (flue duct)	2.6 m
90° bend (air duct)	4.8 m
90° bend (flue duct)	9.6 m

IMPORTANT: All flue systems must be securely supported at least once every metre. Suitable pipe supports are available as accessories.

Vertical Flue System Examples (Twin Pipe)



Vertical Flue System Examples

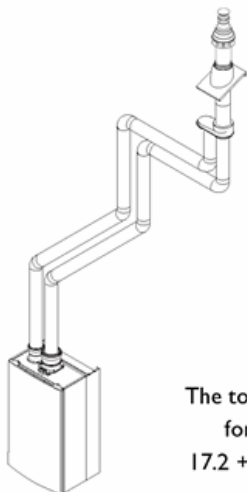
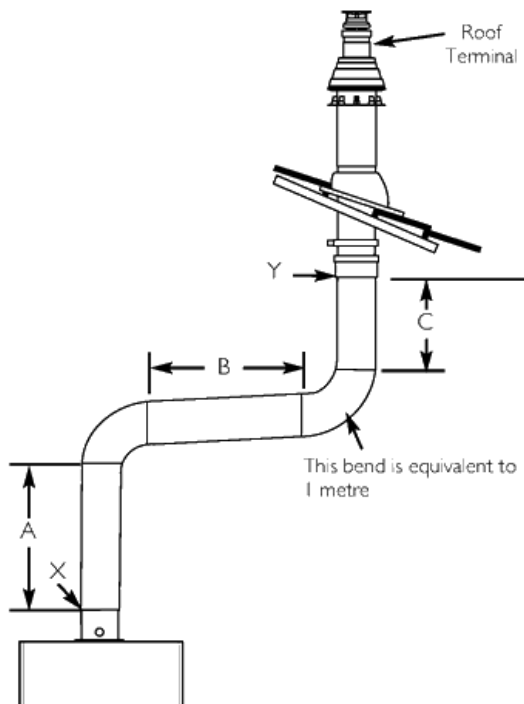


**Total Equivalent Length =
A+B+C+1x90° Bend**

All vertical and angled runs must be included, measured from the boiler adaptor (point X) to the joint with the flue terminal (point Y).
One 91.5° bend or two 135° bends can be included without reduction of the flue length.

If further elbows are required the flue length must be reduced by the following amounts:-

1 metre for each 91.5° bend
0.5 metre for each 135° bend



The total equivalent length
for this example is
 $17.2 + 34.4 = 51.6$ metres.

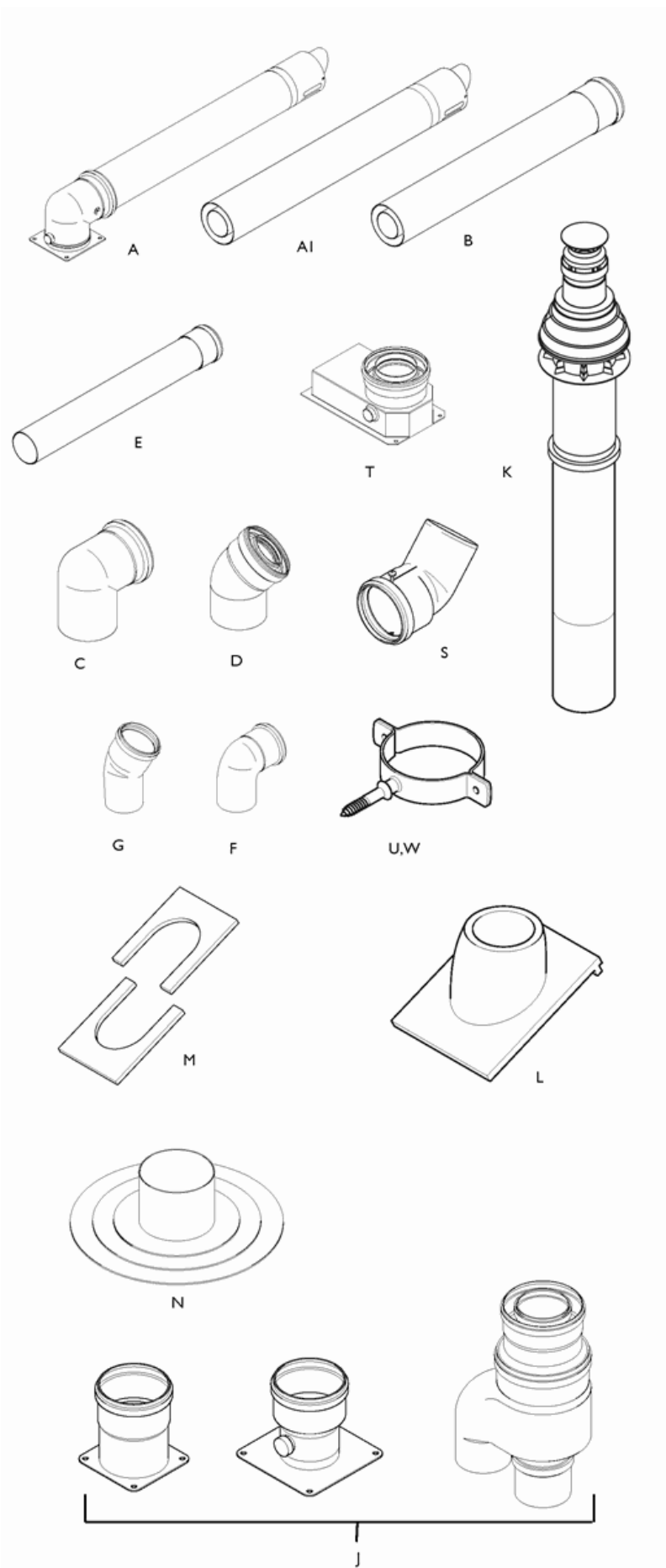
	AIR DUCT
--	----------

	Equivalent Length Value	N° of fittings/pipes	Sub total
1m extension	1m	5	5.0m
135°bend	1.3m	2	2.6m
91.5°bend	4.8m	2	9.6m
Equivalent Length Air Duct = 17.2m			
FLUE DUCT			
	Equivalent Length Value	N° of fittings/pipes	Sub total
1m extension	2m	5	10.0m
135°bend	2.6m	2	5.2m
91.5°bend	9.6m	2	19.2m
Equivalent Length Flue Duct = 34.4m			

page 23

8.3 Flue Accessories

Key	Accessory	Size	Code No
FLUE GROUP B			
Concentric Flue System 110mm diameter			
A1	Horizontal Flue Terminal	850mm	243013BAX
A	Horizontal Flue Terminal (incl. elbow)		236921
B	Flue Extension	1000mm	241695
	500mm		241694
	250mm		241692
C	Flue Bend	93°	241687
D	Flue Bend (pair)	135°	241689
U	Pipe Support	110mm	243014BAX
T	Vertical Flue Boiler Adaptor		5106888
S	Flue Terminal Deflector		248167
FLUE GROUP P			
Twin Flue System 80mm diameter			
E	Flue Extension	1000mm	246137
		500mm	246136
		250mm	246135
F	Flue Bend (pair)	90°	5121560
G	Flue Bend (2 pair)	135°	5121561
J	Vertical Flue Boiler Adaptor Kit		242757
W	Pipe Support (pair)	80mm	5111081
FLUE GROUP B,P			
Vertical Flue Kits			
K	Vertical Flue Terminal		242802
L	Pitched Roof Flashing	25°/50°	243015
M	Roof Cover Plate		243131
N	Flat Roof Flashing		243016BAX

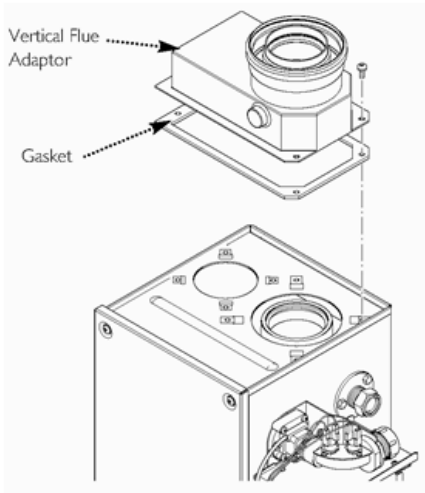


8.4 For Vertical Flue Systems

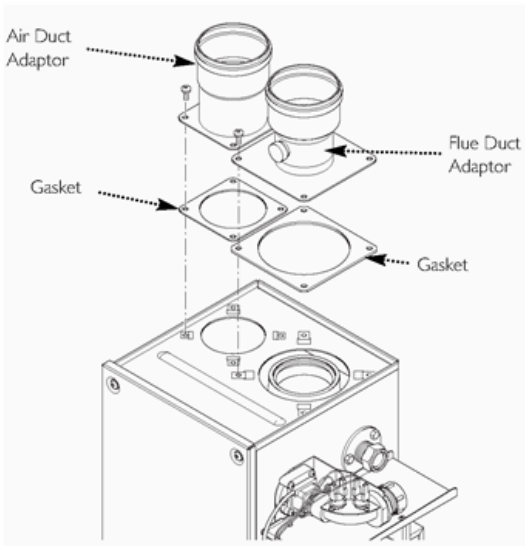
1. Undo the screws securing the blanking plate to the boiler top panel. Discard the plate.
2. Fix the vertical adaptor and gasket to the top panel with the previously removed screws.

8.5 For Twin Flue Systems

1. Undo the screws securing the blanking plate to the boiler top panel. Discard the plate.
2. Fix both the air and flue adaptors with their gaskets onto the boiler top panel. Secure with screws.



For Vertical Flues



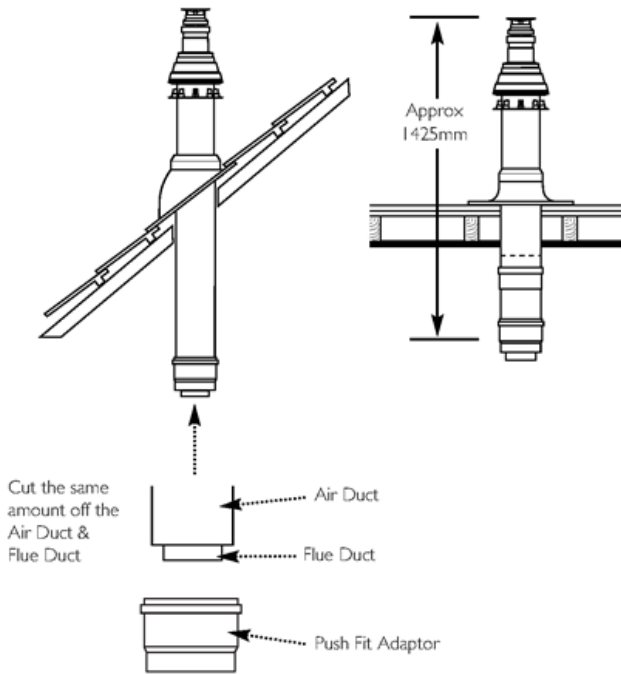
For Twin Flues

page 25

8.6 For Roof Terminals

1. In the case of a pitched roof 25 - 50 degrees, position the lead tile to replace/flash over existing roof tiling. Make an aperture in the roof suitable for the lower tube of the roof terminal and ensure the integrity of the roof cover is maintained. The adjustable plastic collar can either be positioned on the lead tile or the lower tube of the roof terminal prior to the final positioning of the vertical flue through the tile. Check the collar is correctly located to suit required roof pitch (either 25° to 38° or 37° to 50°). From inside the roof adjust the flue to a vertical position and secure to the roof structure with the clamp supplied.
2. For flat roof installations the aluminium flashing must be incorporated into the roof covering and the appropriate aperture made in the roof decking. The vertical flue is lowered onto the flashing making sure the collar of the flue locates securely with the flashing. (A mastic seal may be necessary). From inside the roof, adjust the flue to a vertical position and secure to the roof structure with the clamp supplied.

IMPORTANT: If the boiler is not fitted immediately after the flue system, temporary precautions must be taken to prevent rain entry into the room of installation. Any precautionary measures must be removed prior to commissioning the boiler.



8.7 Flue Dimensions

The standard horizontal flue kit allows for flue lengths between 270mm (10⁵/₈"") and 800mm (32") from elbow to terminal ([Fig. 18](#)).

The maximum permissible equivalent flue length is: 4 metres.

NOTE: Each additional 45° of flue bend will account for an equivalent flue length of 0.5m.
 e.g.. 45° = 0.5m, 90° = 2 x 45° = 1m etc.

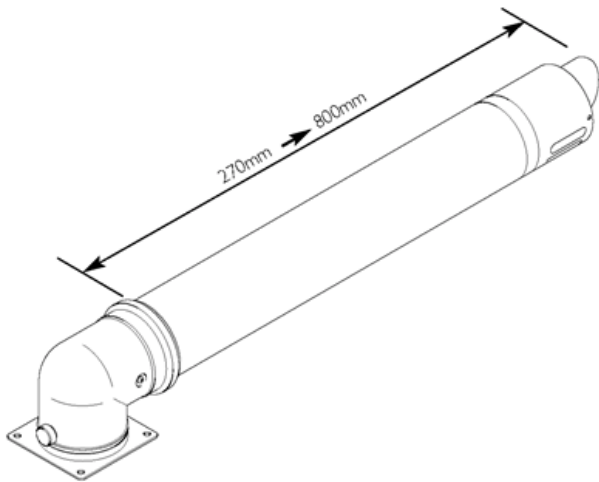


Fig. 18

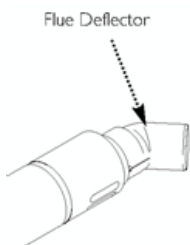


Fig. 18a

8.8 Terminal Guard ([Fig. 19](#))

1. When codes of practice dictate the use of terminal guards, they can be obtained from most 'Plumbers and Builders' Merchants.
2. When ordering a terminal guard, quote the appliance model number.
3. The flue terminal guard should be positioned centrally over the terminal and fixed as illustrated.

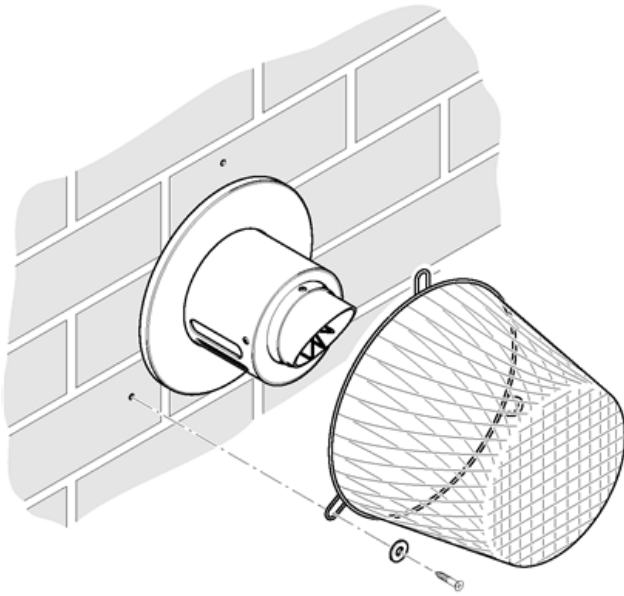


Fig. 19

8.9 Flue Deflector (Fig. 18a)

1. If required, push the flue deflector over the terminal end and rotate to the optimum angle for deflecting plume. Secure the deflector to the terminal with screws provided.

page 26

9.0 Plume Displacement

9.1 Plume Displacement Kit (P.D.K.)

Kit No 5121371

Content of kit

- 1 70/110 Concentric Flue
- 1 1m 70 Dia Exhaust Flue Pipe
- 2 Support Brackets
- 1 93° Elbow/Plume Outlet Assembly
- 1 Flue Trim
- 2 "O" Rings
- 1 Elbow with Gasket

1. This kit is recommended for installations where the condensate plume emitted from the flue may cause a nuisance or affect the surroundings.
2. The terminal must be positioned outside the building with the outlet connection upwards.
3. The 70Ø pipe connects to the outlet of the concentric terminal assembly. The elbow/plume outlet must be fitted to the end of the 70Ø pipe.

NOTE: The plume outlet must always be at least 45° to the wall, with the 'peak' uppermost to prevent rain entry (Figs. A & B), and be at least 2 metres above ground level. It must be secured as shown in Fig. C.

The outlet must be positioned so that any condensate plume is directed away from adjacent surfaces.

4. It is possible to reduce or increase (with the addition of extensions) the length of either or both the 70/110 concentric and 70Ø exhaust.
5. Standard concentric flue extension kits may be added between the boiler elbow and the terminal assembly.
6. The minimum length of the concentric flue is 100mm when measured from the edge of the boiler flue elbow. There is a further 45mm engagement into the elbow.

IMPORTANT: The maximum equivalent length of concentric flue is:- **4 metres**
Additional elbows may be fitted in the concentric flue, but the equivalent length must be reduced by 1 metre (93° elbow) or 0.5 metres (45° elbow).

7. 70Ø 1 metre extensions (including support bracket), and additional 93° & 45° elbows are available. Any additional 93° & 45° elbows must be accounted for when calculating flue lengths. 70Ø 93° elbows are equivalent to 3.5 metres of straight length and 45° elbows to 1 metre.

NOTE: Permitted positions of the plume outlet relative to doors, windows etc. are the same as for conventional concentric flues as detailed in the main Installation & Servicing Instructions and BS5440 Pt. 1. It is **NOT** necessary to fit a terminal guard over the air inlet or the plume outlet.

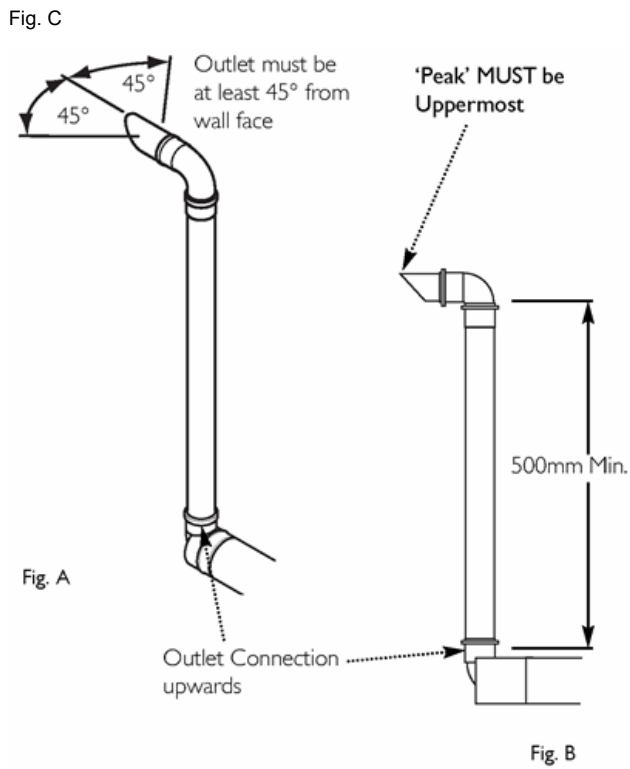
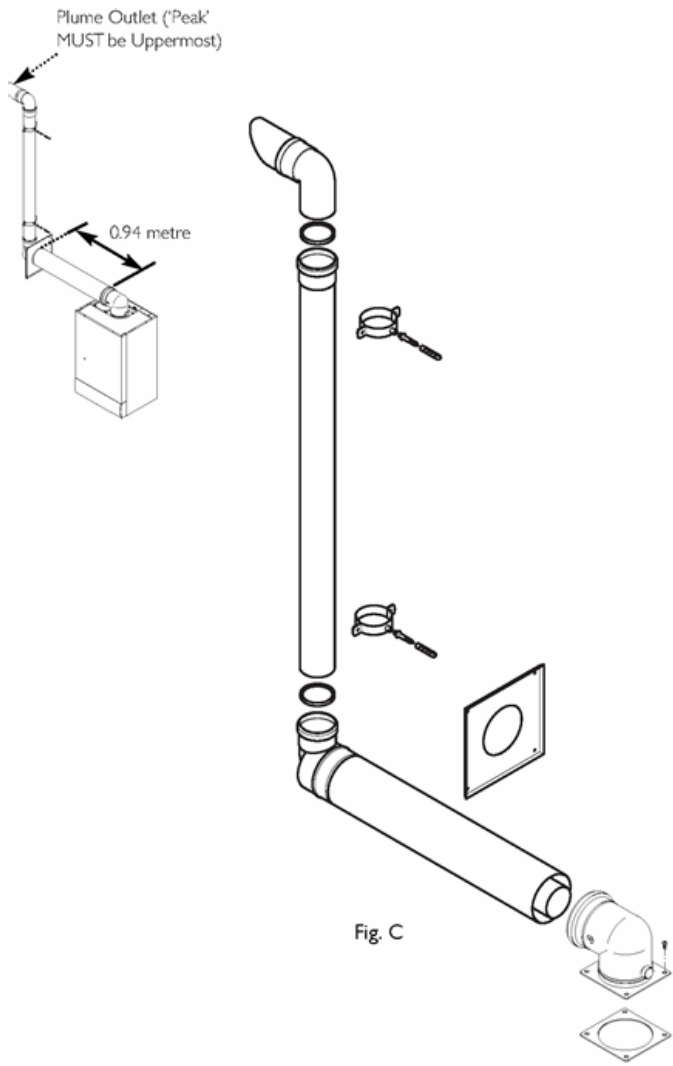


Fig. A

Fig. B

In the graph the solid line diagonal represents the relationship between the concentric flue assembly (and any extensions) and the 70Ø exhaust (and any extensions or additional bends).

Example 1 - Not Permissible

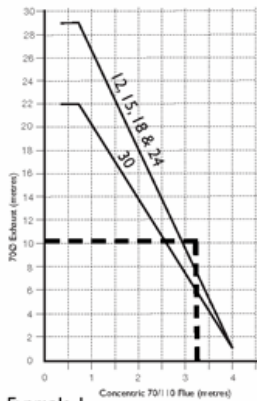
If, for instance, a concentric length of 3.25 metres was required and the 70Ø exhaust needed to be 10 metres the graph shows that this combination would NOT be permissible as the intersection point would be above the solid diagonal line.

Example 2 - Flue Lengths OK

Where both lengths have been determined they can be applied to the graph to check that the installation is permissible. For example, if it was known that 2 metres of concentric flue and 4 metres of 70Ø exhaust were required, the values could be applied to the graph as shown in [Example 2](#). As the point of intersection of the dotted lines is below the solid diagonal line, the combination of lengths is shown to be acceptable.

Example 3 - Flue Lengths OK

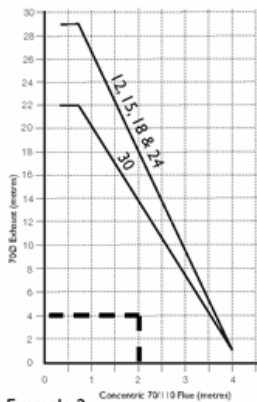
In the example shown, assume that the concentric part of the flue needs to be 2 metres long. Find the position of '2' on the horizontal axis of the graph and then project upwards to the solid diagonal line. This is represented by the vertical thick dotted line. Where this dotted line intersects with the solid diagonal line on the graph, project across to the vertical axis. As can be seen this corresponds with 14 metres. Therefore, the total equivalent length of the 70Ø exhaust can be up to 14 metres. Any elbow equivalencies must be accounted for i.e. 93° elbows are equal to 1 metre, each 45° elbow to 0.5 metres.



Example 1
Flue Lengths - Not Permissible

Example 1

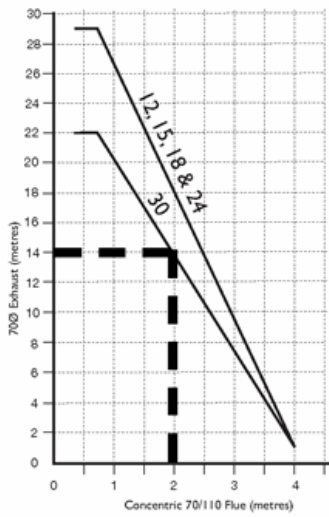
Flue Lengths - Not Permissible



Example 2
Flue Lengths - OK

Example 2

Flue Lengths - OK



Example 3
Flue Lengths - OK

Example 3
Flue Lengths - OK

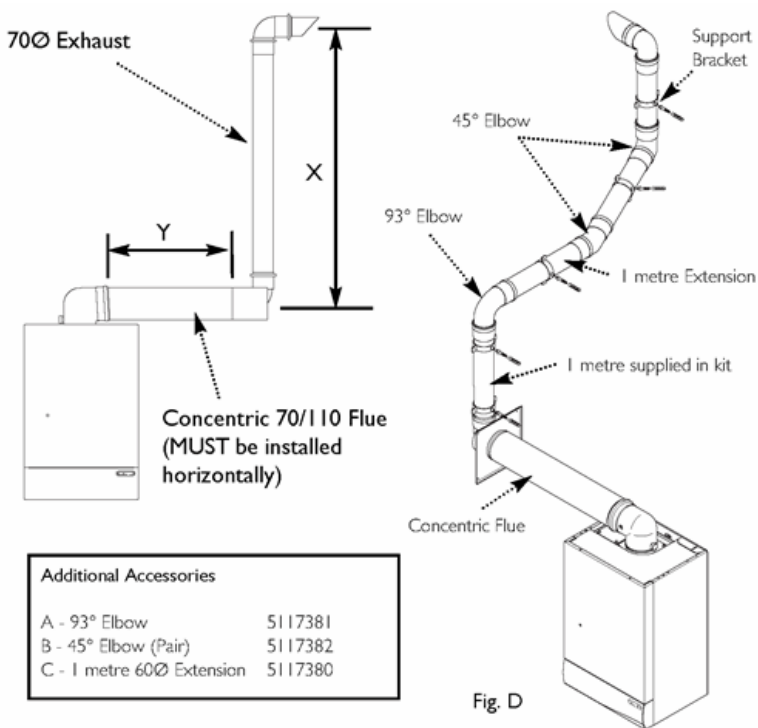


Fig. D

Flue Length - Worked Example Baxi Solo 30 HE IE

In [Fig. D](#) Above an additional 93° elbow and pair of 45° elbows have been included in the 70Ø exhaust. Also 3 straight extension pieces have been used.

To calculate total length:-

Length of 70Ø supplied in kit =	1 metre
3 x 1 metre Extensions =	3 metres
1 x 93° Elbow =	1 metre
2 x 45° Elbow =	1 metre (0.5 metres each)
Total 70Ø =	6 metres

After consulting the table in [Example 3](#) it can be determined that the concentric flue could be up to approximately 3.25 metres long.

1. Cut a hole in the external wall which the horizontal concentric flue assembly will pass through.
2. When completed the terminal must be at least 2 metres above ground level ([Fig. E](#)).
3. Measure and cut to size the concentric assembly and any extensions that are being used.
4. Insert the concentric assembly through the hole from outside the building and mark the position of the flue trim securing holes.
5. Drill and plug the wall to accept the flue trim securing screws, and re-insert the concentric assembly through the wall.
6. Connect any extensions that are being used to the concentric assembly. Engage the extension or concentric assembly in the boiler flue elbow.
7. Fit the boiler flue elbow to the boiler top panel, ensuring the gasket is in place ([Fig. E](#)).

Ensure that the concentric assembly is horizontal and that the external air inlet is to the bottom. Any extensions should fall back to the boiler.

8. Use suitable brackets to support the concentric assembly and any extensions, and make good inside and outside. Secure the flue trim to the wall.
9. The 70Ø exhaust can now be fitted to the spigot at the terminal end.
10. If it is necessary to shorten the 70Ø exhaust or any of the extensions, the excess material must be cut from the plain end of the pipe.
11. Determine the position of the 70Ø exhaust and mark on the wall a suitable position for the support bracket. Drill and plug the wall. If extensions are being used, a support bracket is supplied in each kit.
12. Engage the M6 threaded part of the mounting bolt in the boss on the support bracket. Using the bracket for leverage, screw the mounting bolt into the plugged hole until the bracket is secure and level ([Fig. G](#)).
13. Slacken the two screws securing the retaining strap to the bracket, and pivot the strap aside to allow fitting the 70Ø exhaust.
14. Complete the installation of the 70Ø exhaust, securing in the brackets. Fit the 93° elbow and plume outlet. Ensure the plume outlet is at least 45° to the wall and that the 'peak' is uppermost.
15. Continue with installation and commissioning of the boiler.

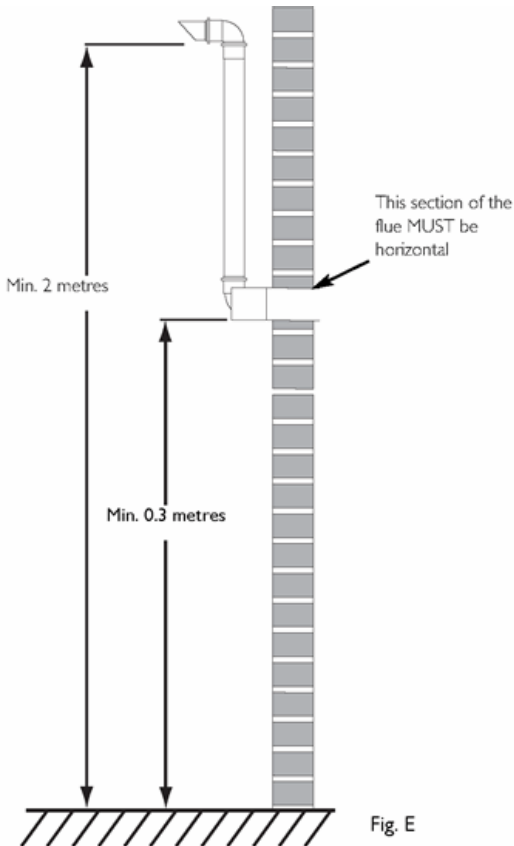


Fig. E

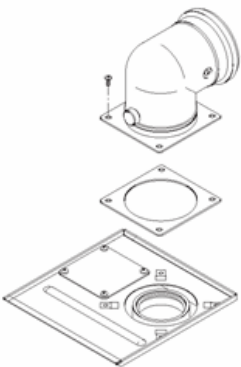


Fig. F

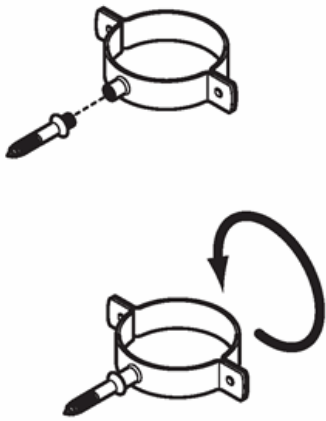


Fig. G

16. For aesthetic purposes it is permissible to route the 70Ø exhaust in an enclosed box, but the air inlet and plume outlet MUST remain in free air.
17. It is also possible to separate the plume outlet from the 93° elbow to allow the flue to be installed as shown in [Fig. H](#).
18. When the plume outlet is positioned under a balcony or other projection ([Figs. I & J](#)) it must protrude at least 200mm (it is not necessary to extend it further than this).

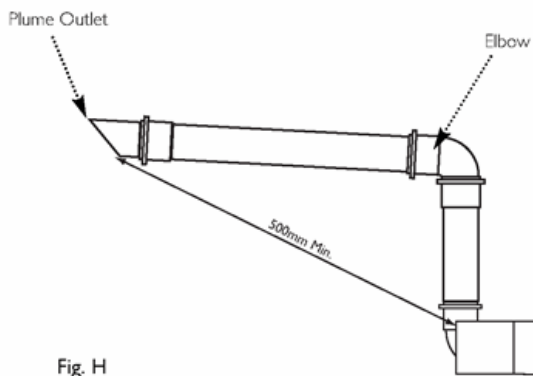


Fig. H

Fig. H

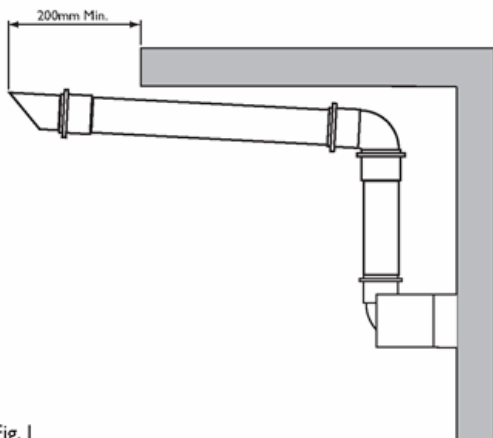


Fig. I

Fig. I

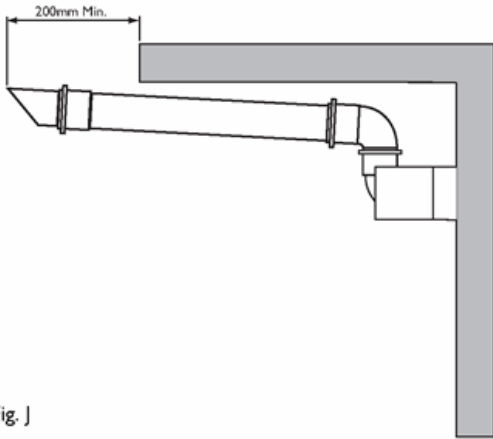


Fig. J

Fig. J

page 30

10.0 Installation

Check Site Requirements ([section 7.0](#)) before commencing.

10.1 Initial Preparation

The gas supply, gas type and pressure must be checked for suitability before connection (see [Section 7.4](#)).

1. Cut the banding and remove the fixing template, wall plate and literature pack ([Fig. 19a](#)) from the carton.
2. After considering the site requirements (see [Section 7.0](#)) position the template on the wall ensuring it is level both horizontally and vertically.

NOTE: When fitting Plume Displacement Kit refer to the instructions supplied for details of installation of the flue.

3. Mark the position of the centre hole for the wall plate ([Fig. 20](#)).
4. Mark the centre of the flue hole (rear exit).
For side exit: project the horizontal side flue centre line into the corner of the room and along the wall to where the flue hole will be drilled. ([Fig. 20](#)). The diagram ([Fig. 21](#)) shows the dimensions required to ensure any horizontal flue is installed with a fall to the boiler of at least 1.5°. Mark the offset (V) dimension and if required, mark the position of the gas and water pipes. Remove the template.
5. Cut the hole for the flue (minimum diameter 127mm, see table ([Fig. 20](#)) for wall thicknesses and flue diameters).
6. Drill and plug the wall as previously marked. Secure the wall plate using the centre hole ([Fig. 22](#)).
7. Ensuring the wall plate is level both horizontally and vertically, drill and plug at least 4 securing positions at the top and bottom through the wall plate. Utilising the slots available ensure the wall plate is square and secure to the wall ([Fig. 22](#)).
8. Loosely route the condensate discharge pipe to the lower left hand side of the wall plate.

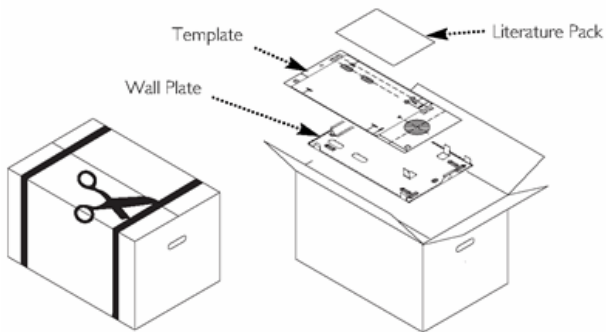


Fig. 19a

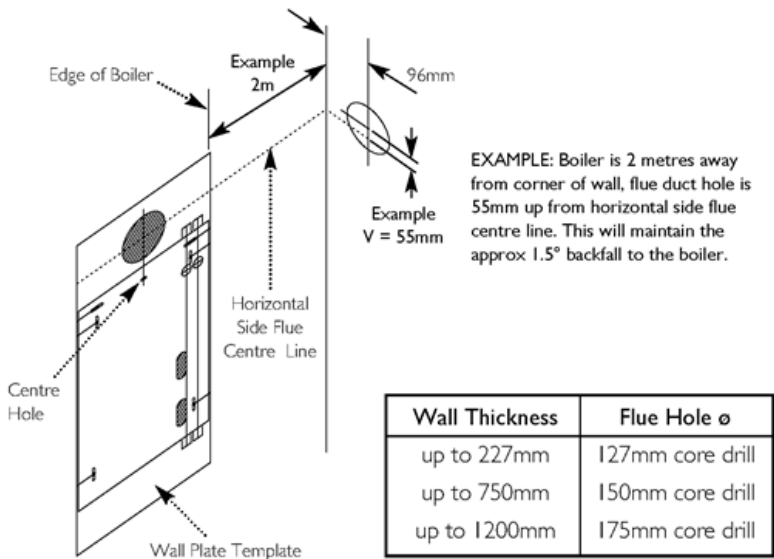


Fig. 20

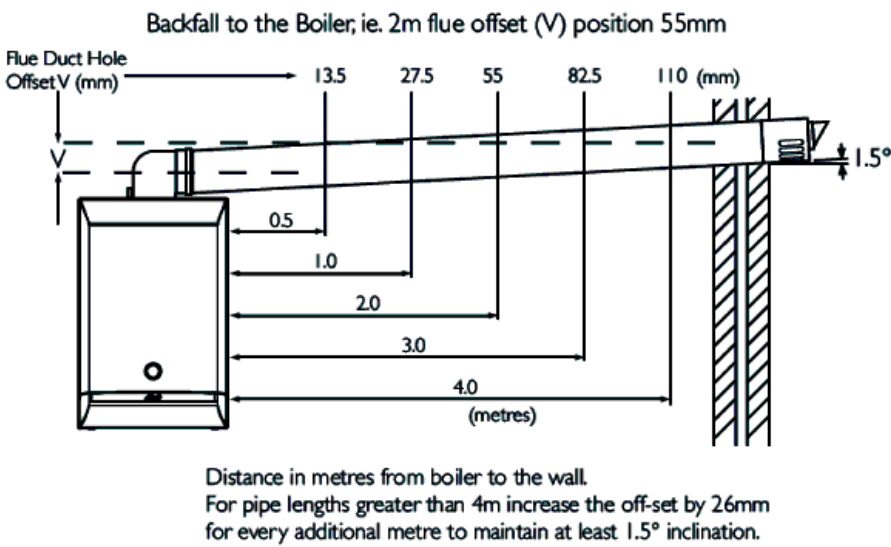


Fig. 21

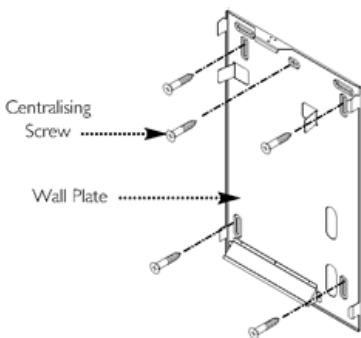


Fig. 22

10.2 Preparing The Boiler (Figs. 22a & 23)

1. Remove the outer carton and packaging.
2. Lift the outercase upwards and remove.
3. Remove the internal packaging.

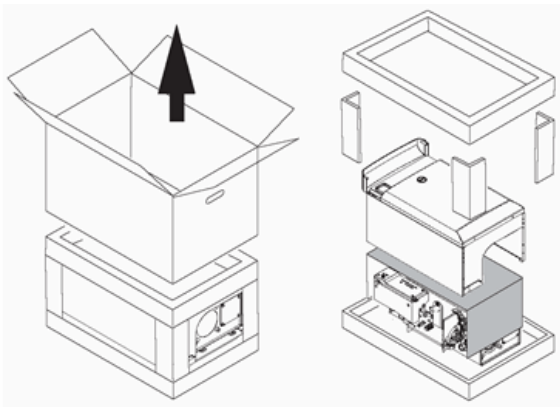


Fig. 22a

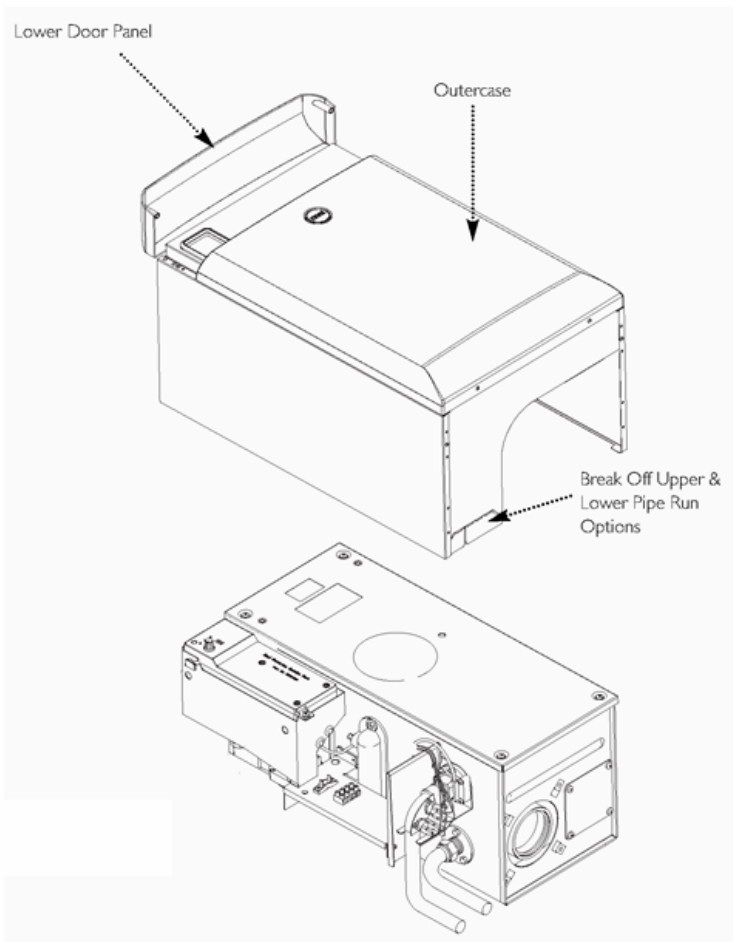


Fig. 23

page 32

10.3 Fitting The Boiler (Fig. 24)

1. Remove the screw and retaining bracket from the wall plate spring clip.
2. Offer up the boiler to the wall plate using the lifting points shown in Fig. 24 and locate the rear bottom edge onto the self locating support at the base of the wall plate. (See [Safe Manual Handling](#))

NOTE: When installing in a Loft/Small Compartment, access for lifting the boiler from the front can be gained for two people using the lifting points. (Fig. 24).

3. Rotate the boiler and engage into temporary spring retaining latch.
4. **Ensure the boiler is secured with the retaining bracket and screw previously removed, immediately.**
5. Remove thread protection caps from the FLOW and RETURN connections.

10.4 Making the Water Connections (Fig. 25)

1. The boiler has two side water connections which are labelled FLOW and RETURN. The front connection is the flow pipe and the rear threaded connection is the return.
2. It is essential that the flow and return pipes are connected to the boiler correctly. The flow connection incorporates the boiler thermostats and a flow switch.
3. Use the 22mm to $\frac{3}{4}$ " couplings supplied in the kit to connect to the system pipework.

NOTE: On Solo 30 HE models 1¹/₄" pipe (or metric equivalent) should be used to connect to the boiler flow and return using suitable reducing fittings.

4. If the installation requires that the system pipework originates from the bottom of the boiler, then the flow and return pipes will need cutting, as they terminate upwards.

10.5 Making the Condensate Drain Connection

1. Connect the condensate drain using the 1" BSP nut and seal supplied. (see [section 7.6](#)).

NOTE: To ensure the correct operation and integrity of the condensate drainage system - Carefully pour approximately 1 cupful (250ml) of water into the flue products exhaust, at the top of the heat exchanger ([Fig. 25a](#)) to ensure a seal is made in the trap.

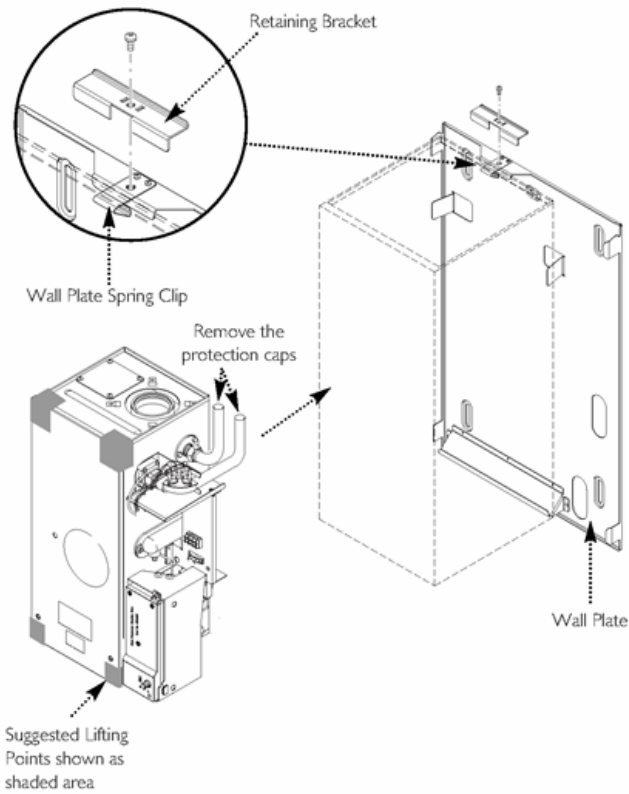


Fig. 24

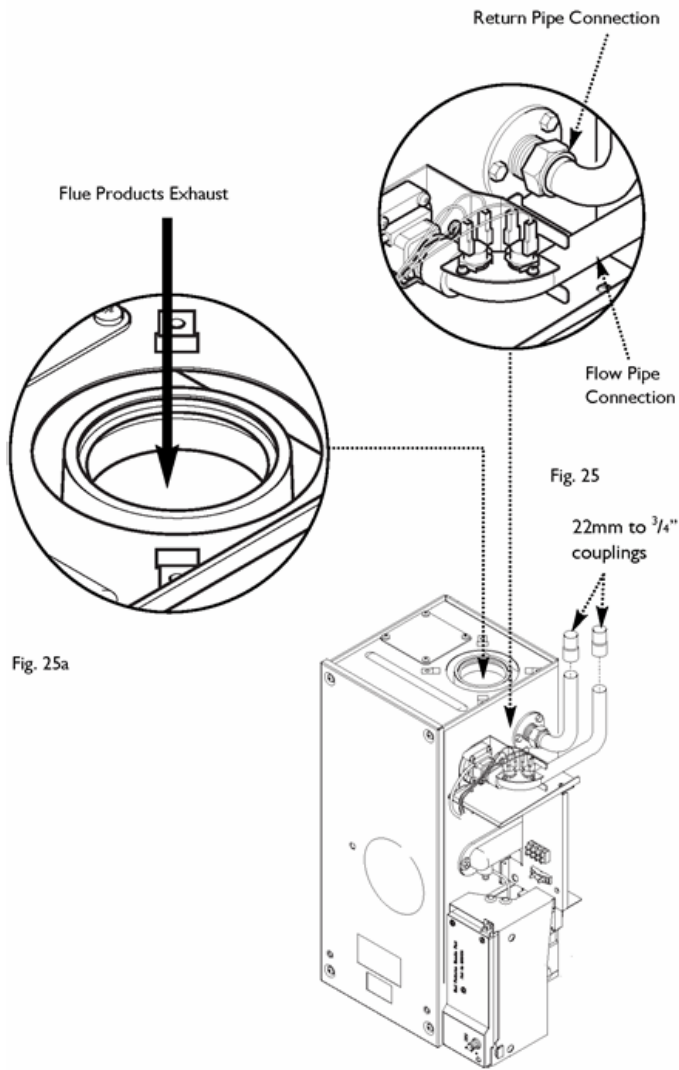


Fig. 25 & Fig. 25a

10.6 Making the Gas Connection

1. Connect the gas supply to the G1/2 (1/2in BSPT Internal) gas tap. This is located on the lower right side of the boiler, access by hinging down the PCB housing (see [Fig. 32](#)).

10.7 Fitting The Flue

Before fitting the flue, check the condensate drain integrity (see [section 10.5](#)).

IMPORTANT: The flue should always be installed with at least a 1.5° fall from terminal to elbow, to allow condensate to run back to the boiler.

HORIZONTAL FLUE

1. The standard flue is suitable for lengths 270mm minimum to 800mm maximum (measured from the edge of the flue elbow outlet).

Rear Flue: maximum wall thickness - 630mm
Side Flue: maximum wall thickness - 565mm (left or right)

2. **For rear exit** - measure the wall thickness ([Fig. 26](#)) and to this dimension add 181mm.
 This dimension to be known as (X)
 i.e.
 $(X) = \text{wall thickness} + 181$
3. Take the flue and mark off (X) from the terminal end as indicated in the diagram ([Fig. 27](#)).

Check your dimensions.

The flue tubes are fixed together. Cut through both tubes whilst resting the flue on the semi-circular packing pieces. Deburr both tube ends.

4. **For side exit** - measure the distance from the edge of the wall plate to the inner face of the wall ([Fig. 26](#)) and to this dimension add the wall thickness + 250mm.
 This dimension to be known as (Z).
 i.e.
 $(Z) = \text{wall plate to wall} + \text{wall thickness} + 250$
5. Take the flue and mark off (Z) from the terminal end as indicated ([Fig. 27](#)).

Check your dimensions.

The flue tubes are fixed together. Cut through both tubes whilst resting the flue on the semi-circular packing pieces. Deburr both tube ends.

IMPORTANT: Check all measurements before cutting.

NOTE: When cutting ensure the cut does not interfere with the inner flue support bracket (Fig. 27a).

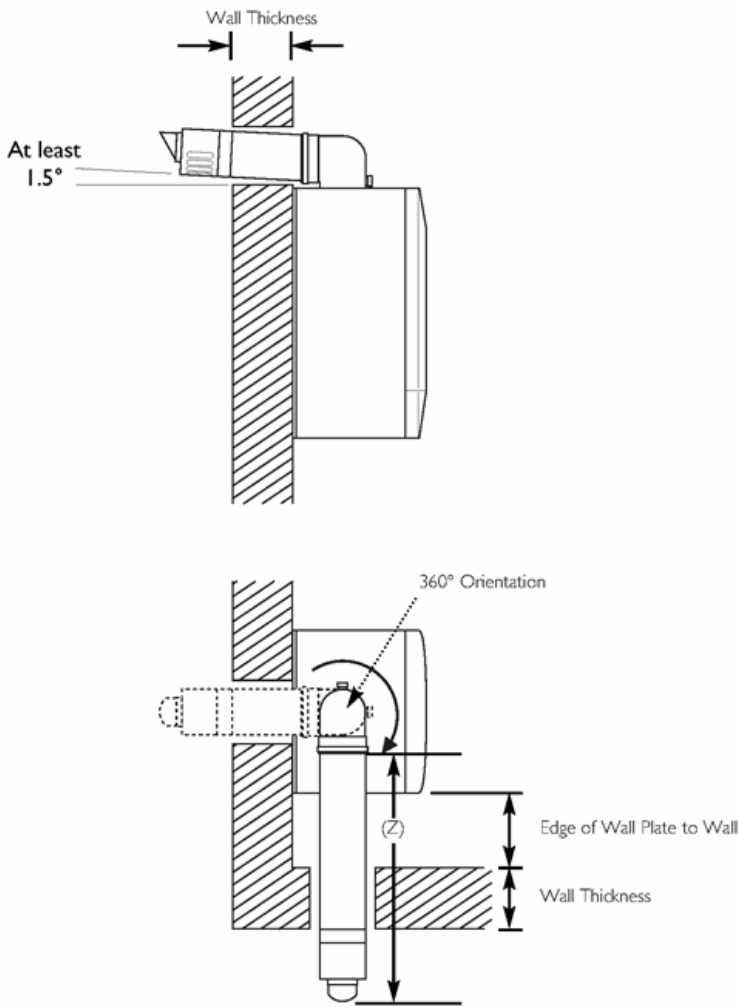


Fig. 26

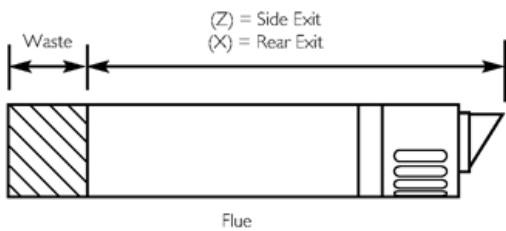


Fig. 27

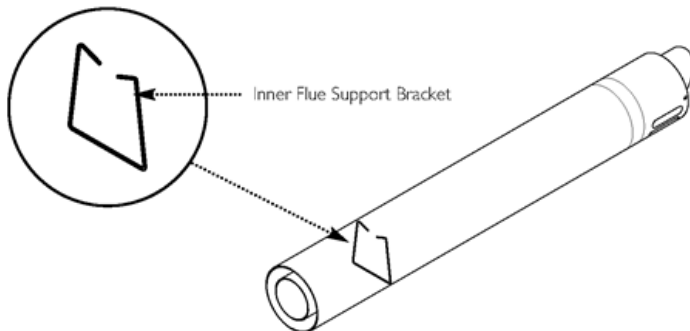


Fig. 27a

6. Ensure the inner flue support bracket is positioned in the flue (Fig. 28).
7. Engage the flue into the flue elbow using soap solution to ease the engagement ensuring the flue is assembled as shown (Fig. 29). Take the tape supplied in the kit and wrap around the joint between the flue and the elbow (Fig. 29a).
8. Place the gasket over the flue exit on the boiler.

9. Slide the flue assembly through the hole in the wall.
10. Engage the elbow on to the flue connection on top of the boiler. Secure with the four screws supplied in the kit.
11. Make good between the wall and air duct outside the building ensuring the 1.5° drop between the terminal and elbow.
12. The flue trim should be fitted once the installation is complete and the flue secure (Fig. 30). Apply a suitable mastic to the inside of the trim and press against the wall finish, making sure the brickwork is dust free and dry.
13. If necessary fit a terminal guard (see Section 8.8).

VERTICAL FLUEING

1. Only a flue approved with the Baxi Solo HE IE range can be used.

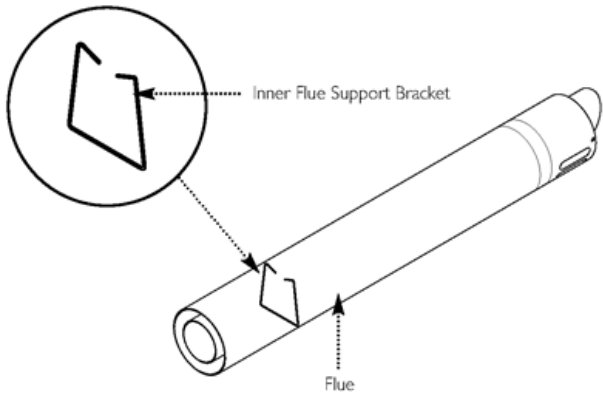


Fig. 28

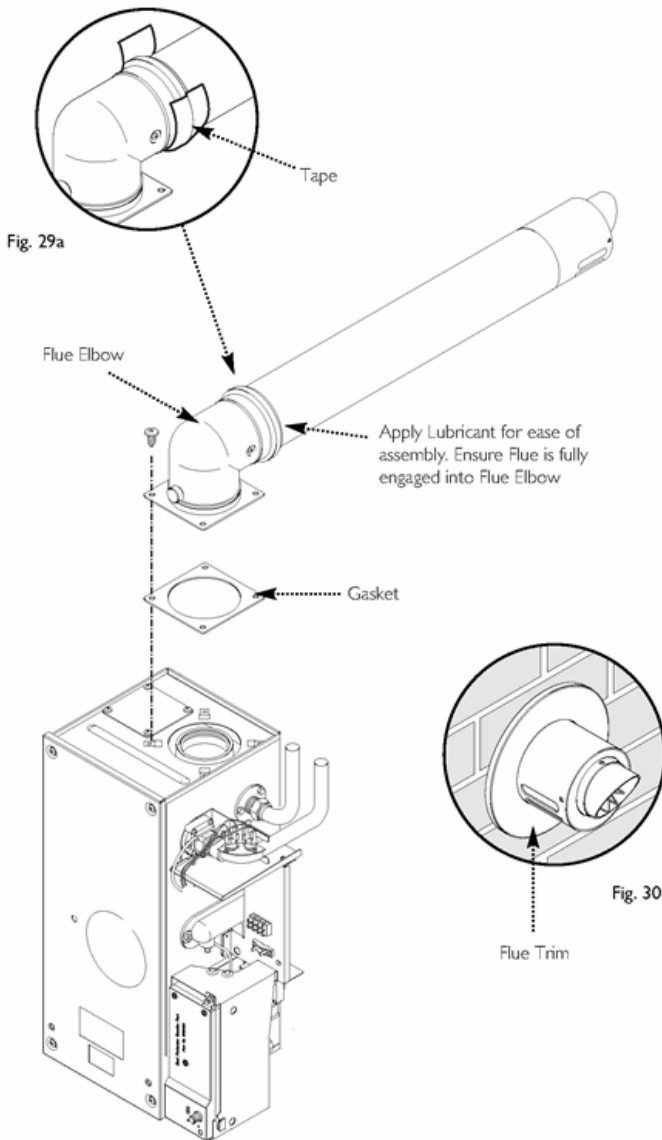



Fig. 29, Fig. 30 & Fig. 29a

WARNING: This appliance must be earthed

1. The electrical connections are on the right hand side of the unit.
2. The Baxi Solo 30 HE IE is factory set to give a maximum output of 22.0 kW (75,000 Btu/hr). The Control PCB jumper positions are as follows:

CN11 (Blue)

CN12 (Red)

3. If the installation requires a greater output to achieve the desired room temperature, this can be increased to 30.18 kW (103,000 Btu/hr) and the boiler can be adjusted as follows ([Fig. 32](#)):
 - a) Remove the top right hand securing screw and hinge down the PCB housing.
 - b) Remove the Red jumper labelled CN12 from the bottom left hand side of the PCB.
 - c) Hinge back up the PCB housing and secure with screw.
4. Route the incoming electrical cable/s through the grommet in the support bracket. This will prevent damage to the cable.
5. Lay the cable through the cable clamp to gauge the length of cable required when it is connected to the 4-way terminal block.
6. Connect the (S/L), (N) and () wires to the 4-way terminal block ([Fig. 33](#)) and refit the cable clamp ([Fig. 31](#)).
7. Check the electrical installation for; earth continuity, short circuits, resistance to earth, correct polarity and fuse failure.

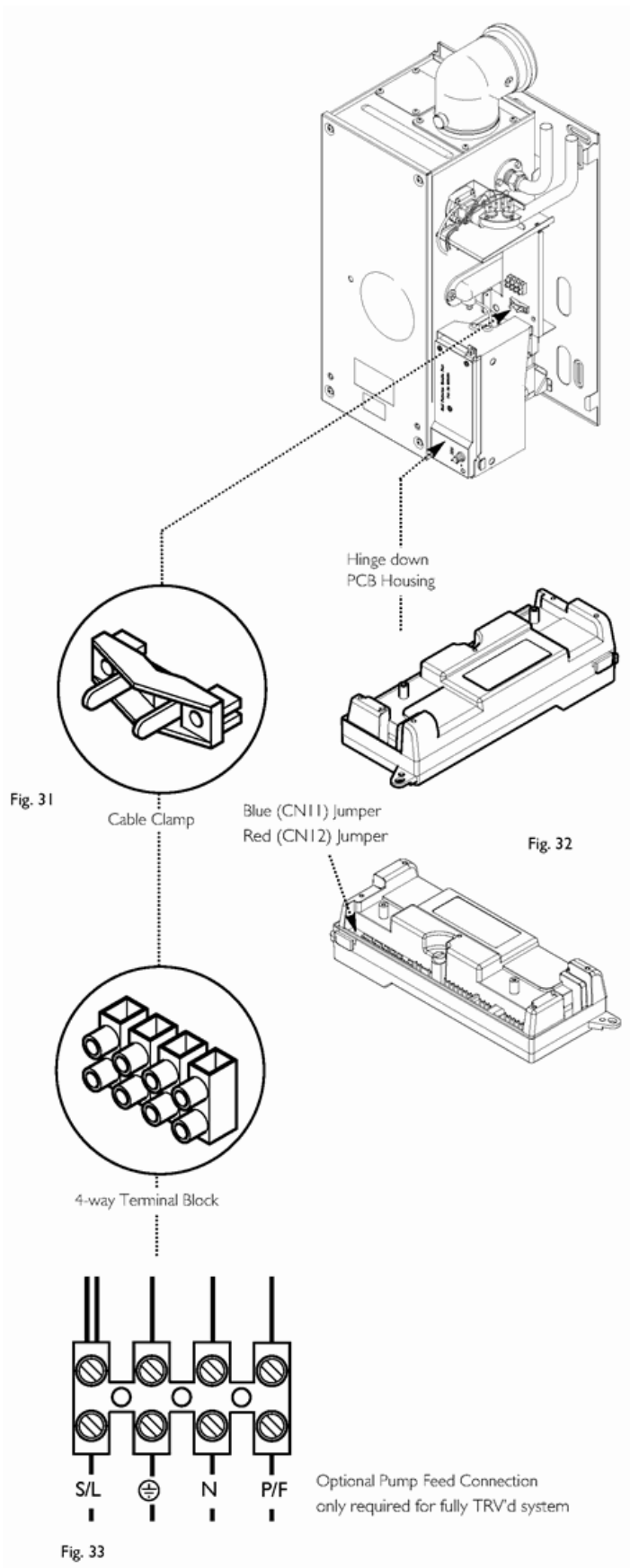
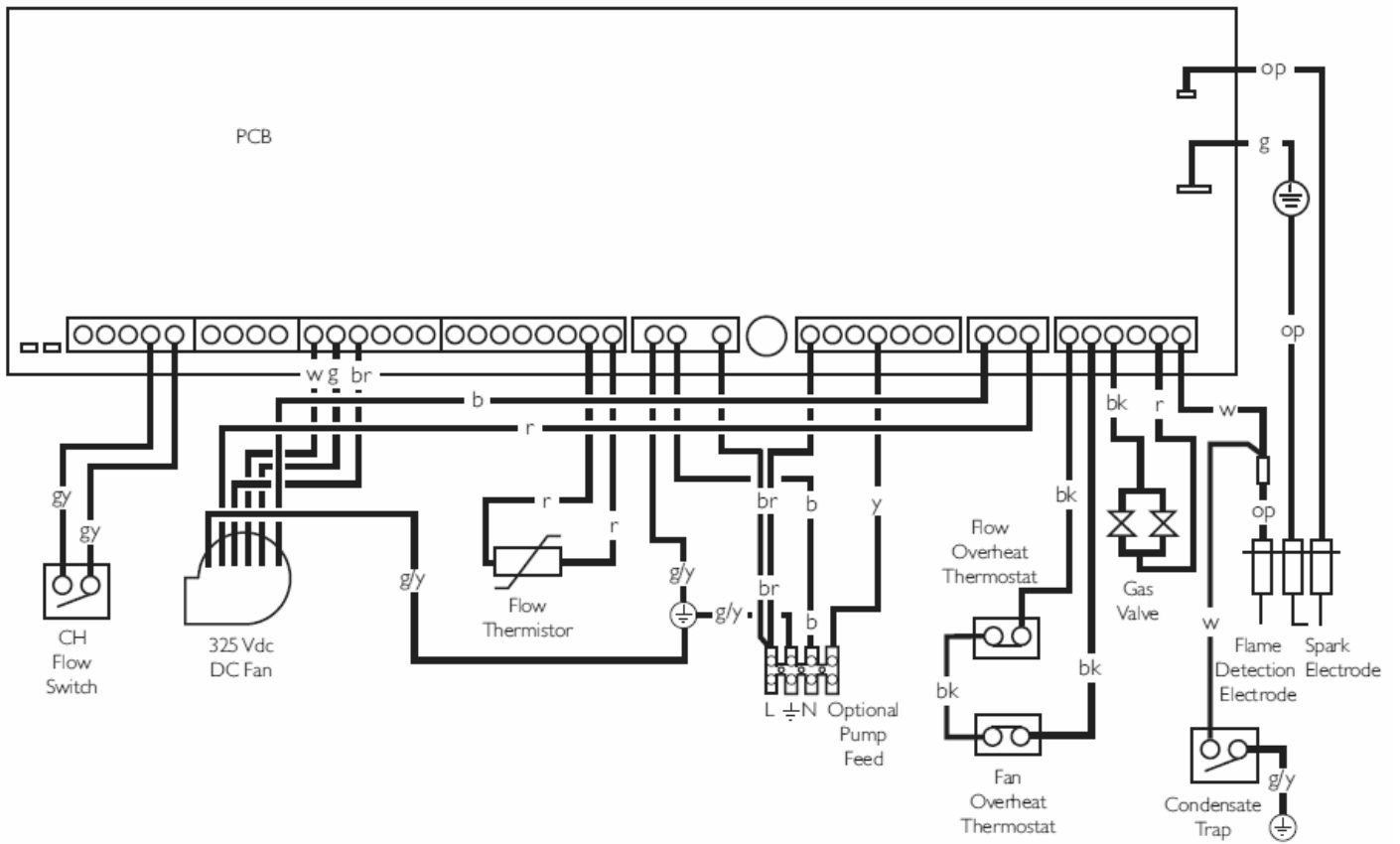


Fig. 31, Fig. 32 & Fig. 33

11.0 Electrical

11.1 Schematic Wiring Diagram

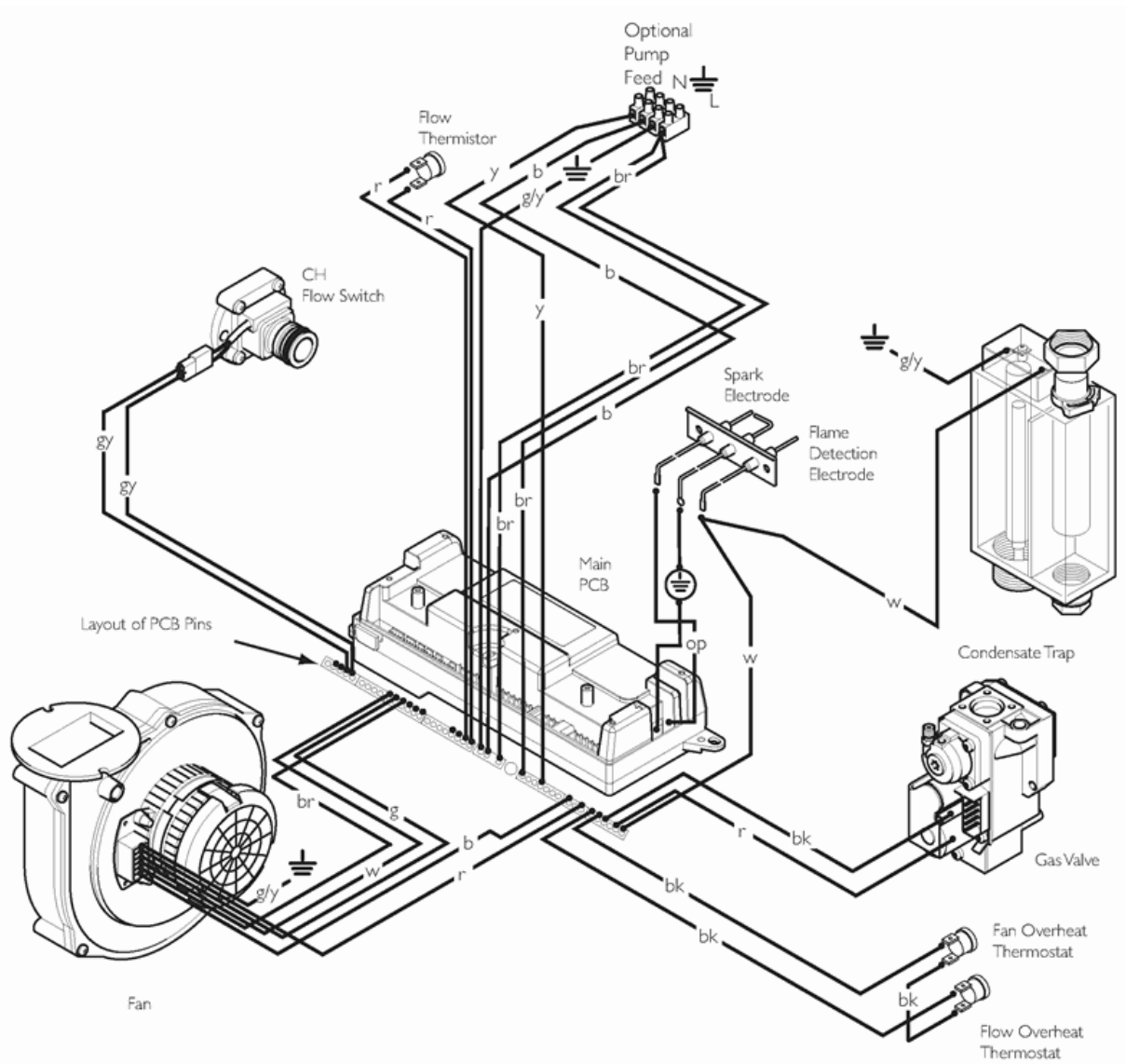
Earths not shown to aid clarity of diagram



Key To Wiring Colours

- | | |
|------------|--------------------|
| b - Blue | r - Red |
| bk - Black | g - Green |
| w - White | g/y - Green/Yellow |
| br - Brown | op - Opaque |
| gy - Grey | y - Yellow |

11.2 Illustrated Wiring Diagram



Wiring Key

- b - Blue
- bk - Black
- br - Brown
- r - Red
- w - White
- g/y - Green/Yellow
- g - Green
- gy - Grey
- op - Opaque
- y - Yellow

page 38

12.0 Commissioning the Boiler

12.1 Commissioning the Boiler

WARNING: The PCB Control and Fan Assembly are 325 Vdc. Isolate at supply before access.

1. Reference should be made to BS:EN 12828 & 14336 when commissioning the boiler.
2. At the time of commissioning, complete all relevant sections of the Benchmark Checklist at the rear of this publications.
3. Flush the whole system using a suitable flushing agent (see [Section 6.2](#)) and vent the radiators. Check for water leaks.
4. Refill the system with inhibitor following the inhibitor manufacturer's instructions and BS 7593 Code of Practice for Treatment of Water in Domestic Hot Water Central Heating Systems (see [Section 6.2](#)).
5. Complete the label supplied with the inhibitor and attach to the inside of the boiler case. Detail of system treatment should be added for future reference.
6. Turn the gas supply on and purge according to in GB BS 6891 and in IE I.S. 813 "Domestic Gas Installations".
7. Remove the top RH securing screw and hinge down the PCB housing to gain access to the gas service cock (see [Fig. 32](#)). Turn the gas service cock anticlockwise to the ON position and check for gas tightness up to the gas valve ([Fig. 34](#)).

NOTE: The 12,15,18,24 are self-regulating dependent upon the system load. The 30 HE will modulate between inputs of 33.76kW and 10.3kW.

The 30 HE input is factory set at 24.5kW and can be altered to 33.76kW - see [section 10.8](#).
No adjustment of the gas valve is permissible.

IMPORTANT: The combustion for this appliance has been checked, adjusted and preset at the factory for operation on the gas type specified on the appliance data plate. No measurement of the combustion is necessary. Do not adjust the air/gas ratio valve.

8. Having checked:

- That the boiler has been installed in accordance with these instructions.
- The integrity of the flue system and the flue seals.
- The integrity of the boiler combustion circuit and the relevant seals.

Proceed to put the boiler into operation as follows:

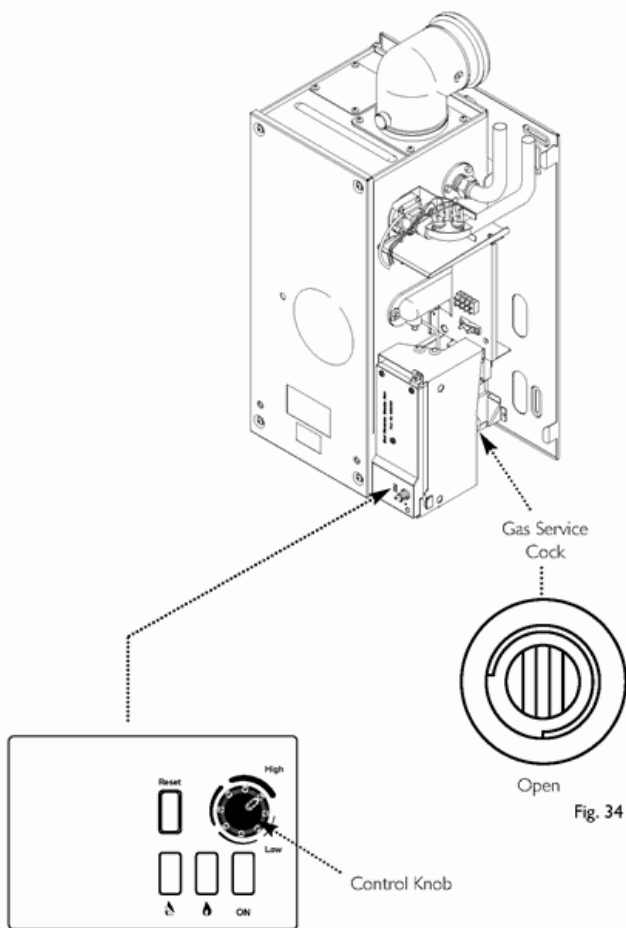


Fig. 35

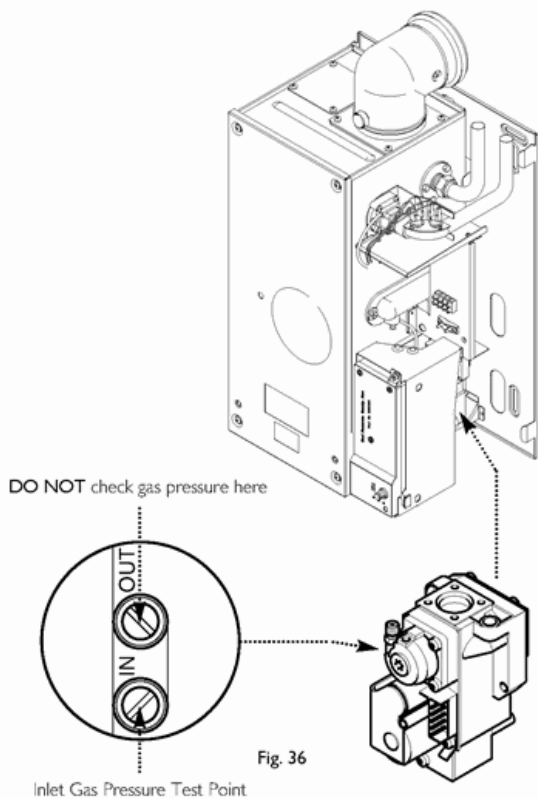


Fig. 36

Fig. 34, Fig. 35 & Fig. 36

12.2 Check the Operational (Working) Gas Inlet Pressure

1. Ensure that all controls are calling for heat and maximum load is applied to the system.
2. With the boiler operating in the maximum rate condition check that the operational (working) gas pressure at the inlet gas pressure test point is in accordance with B.S. 6798 & B.S. 6891.
3. Ensure that this inlet pressure can be obtained with all other gas appliances in the property working.

Measure the Gas Rate

4. With any other appliances & pilot lights turned OFF the gas rate can be measured. It should be as shown in [Section 4.0](#) Technical Data.
5. Carefully read and complete all sections of the [Commissioning Checklist](#) at the rear of this publication that are relevant to the boiler and installation. These details will be required in the event of any warranty work. The publication must be handed to the user for safe keeping and each subsequent regular service visit recorded.
6. For IE, it is necessary to complete a "Declaration of Conformity" to indicate compliance with I.S. 813. An example of this is given in I.S. 813 "Domestic Gas Installations". This is in addition to the [Commissioning Checklist](#).

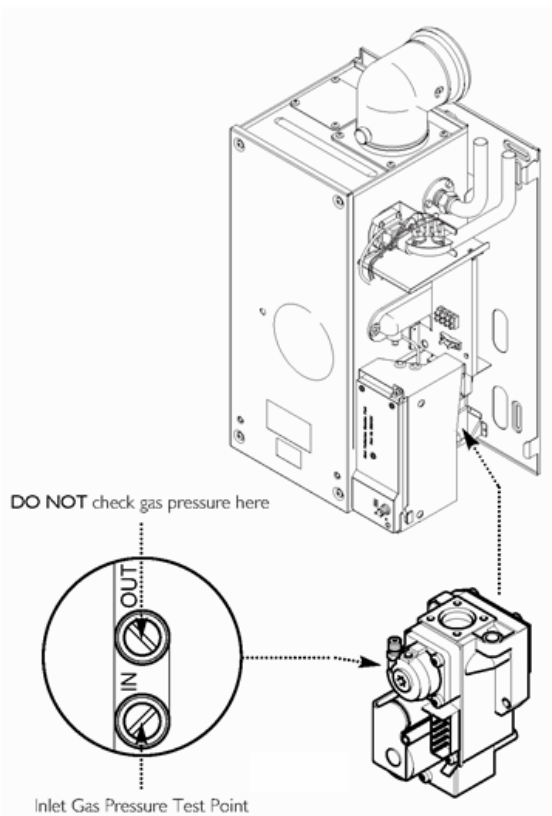


Fig. 36a

page 40

13.0 Fitting the Outer Case

13.1 Fitting The Outer Case

1. Position the outercase over the boiler engaging the lugs in the side flanges over the hooks on the wall plate. Break off top or bottom panel as required to accommodate pipework runs ([Fig. 37](#)).
2. Using the two screws supplied in the kit, secure the outercase to the combustion box ([Fig. 37](#)).
3. Hinge up the lower door panel ([Fig. 38](#)).
4. The "Important Ventilation Information" label can be removed unless the appliance is installed in an unventilated compartment.
5. Carefully read and complete all sections of the [Commissioning Checklist](#) at the rear of this publication that are relevant to the appliance and installation. These details will be required in the event of any warranty work. The publication must be handed to the user for safe keeping and each subsequent regular service visit recorded.
For IE, it is necessary to complete a "Declaration of Conformity" to indicate compliance to I.S. 813. An example of this is given in I.S. 813 "Domestic Gas Installations". This is in addition to the [Commissioning Checklist](#).
6. Instruct the user in the operation of the boiler controls. Hand over the User's Operating, Installation and Servicing Instructions, giving advice on the necessity of regular servicing.
7. Demonstrate to the user the action required if a gas leak occurs or is suspected. Show them how to turn off the gas supply at the meter control, and advise them not to operate electric light or power switched, and to ventilate the property.
8. Show the user the location of the system control isolation switch, and demonstrate its operation.
9. Advise the user that they may observe a plume of vapour from the flue terminal, and that it is part of the normal operation of the boiler.
10. Complete the label supplied with the inhibitor and stick to the inside of the boiler case. Detail of system treatment must be recorded in the [Commissioning Checklist](#).

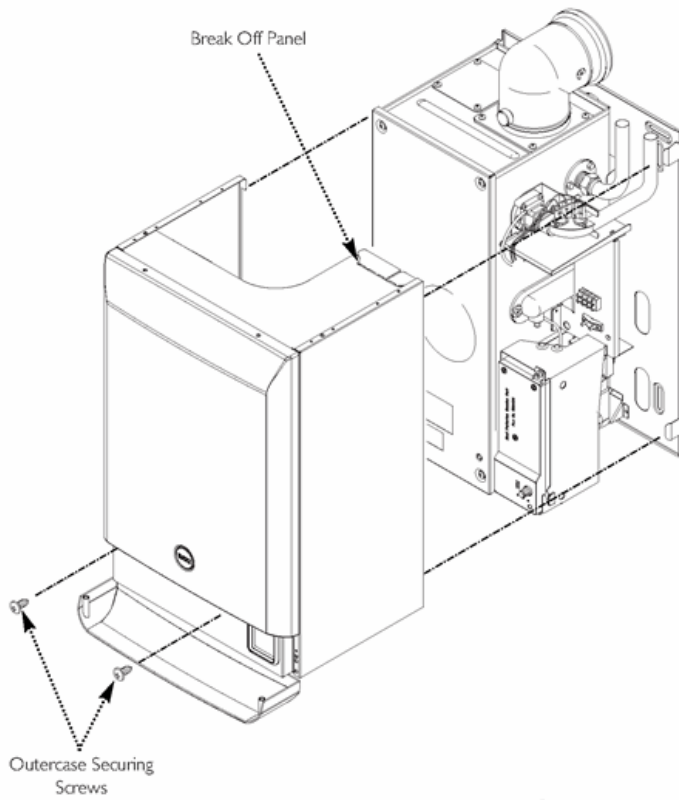


Fig. 37

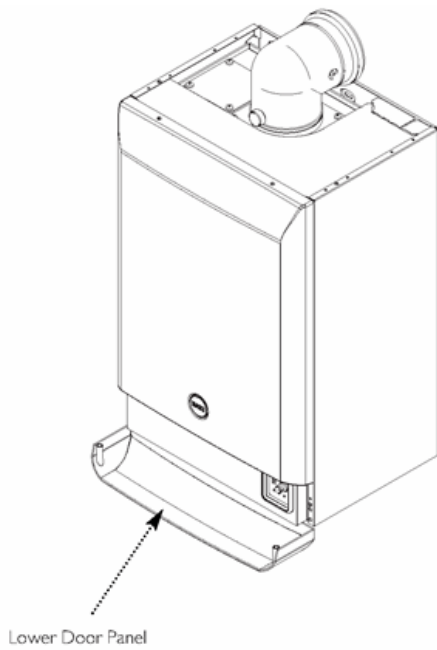


Fig. 38

14.0 Servicing the Boiler

14.1 Annual Servicing

1. For reasons of safety and economy, it is recommended that the boiler is serviced annually. Servicing must be performed by a competent person in accordance with B.S. 7967-4.
2. After servicing, complete the relevant Service Interval Record section of the Commissioning Checklist at the rear of this publication.

IMPORTANT: During routine servicing, and after any maintenance or change of part of the combustion circuit, the following must be checked:-

- The integrity of the complete flue system and the flue seals.
- The integrity of the boiler combustion circuit and relevant seals as described in [Section 14.2](#).
- The operational gas inlet pressure as described in [Section 12.2](#) paragraphs 1 to 3 and the gas

rate as described in 12.2.4.

- The combustion performance as described in "[Check the Combustion Performance](#)" (14.1. 4 to 14.1.6 below).

3. Competence to carry out Checking Combustion Performance

B.S. 6798 "Specification for Installation & Maintenance of Gas Fired Boilers not exceeding 70kW" advises that:-

- The person carrying out a combustion measurement should have been assessed as competent in the use of a flue gas analyser and the interpretation of the results.
- The flue gas analyser used should be one meeting the requirements of BS7927 or BS-EN50379-3 and be calibrated in accordance with the analyser manufacturer's requirements.
- Competence can be demonstrated by satisfactory completion of the CPA1 ACS assessment, which covers the use of electronic portable combustion gas analysers in accordance with BS 7967, Parts 1 to 4.

Check the Combustion Performance (CO/CO₂ ratio)

4. Set the boiler to operate at maximum rate as described in [Section 12.2](#).
5. Remove the cap from the flue sampling point, insert the analyser probe and obtain the CO/CO₂ ratio.
This must be less than 0.004.
6. If the combustion reading (CO/CO₂ ratio) is greater than this, and the integrity of the complete flue system and combustion circuit seals has been verified, and the inlet gas pressure and gas rate are satisfactory either:
 - Perform the "Annual Servicing - Inspection" ([Section 14.2](#)) & re-check.
 - Replace the gas valve ([Section 15.8](#)) & re-check.

page 42

14.2 Annual Servicing - Inspection

1. Ensure that the boiler is cool.
2. The boiler cannot be switched off at the boiler, therefore it is important to isolate the electrical supply at the mains fuse.
3. Hazardous materials are not used in the construction of these products, however reasonable care during service is recommended.
4. When replacing the combustion box door after servicing it is essential that the retaining screws are tightened fully.
5. Ensure that both the gas and electrical supplies to the boiler are isolated.
6. Remove the outercase and lower door panel (see Fitting the Outercase, [Section 13.0](#)).

**WARNING: The PCB Control and Fan Assembly are 325 Vdc.
Isolate at supply before access.**

7. Release the four 1/4 turn screws securing the air box door panel and remove the door ([Fig. 39](#)).
8. Disconnect the leads from the centre and right hand terminals (earth and flame sensing probe) ([Fig. 40](#)). Reconnect in reverse order.
9. Undo the four screws securing the combustion box door and remove the door ([Fig. 41](#)).
10. Visually check for debris/damage and clean or replace if necessary the following:

- a) Burner.
- b) Heat exchanger fins.
- c) Fan compartment (Check also for condensate leaks).
- d) Insulation.
- e) Door seals-Important: Pay particular attention to the condition of the combustion box door seals.
- f) Electrodes.
- g) The condensate trap

NOTE: Remove the trap drain plug and place a vessel underneath to catch the condensate (care should be taken as this could be hot).

Clean the trap and refit the drain plug. Check for leaks.

- h) Top of heat exchanger.

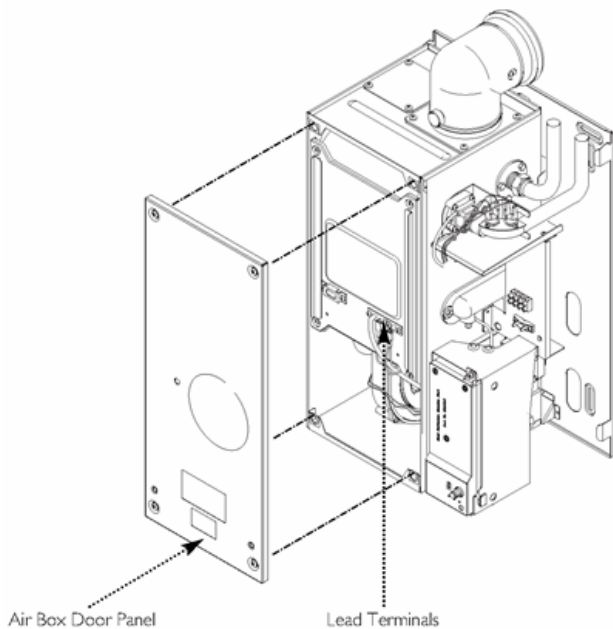


Fig. 39

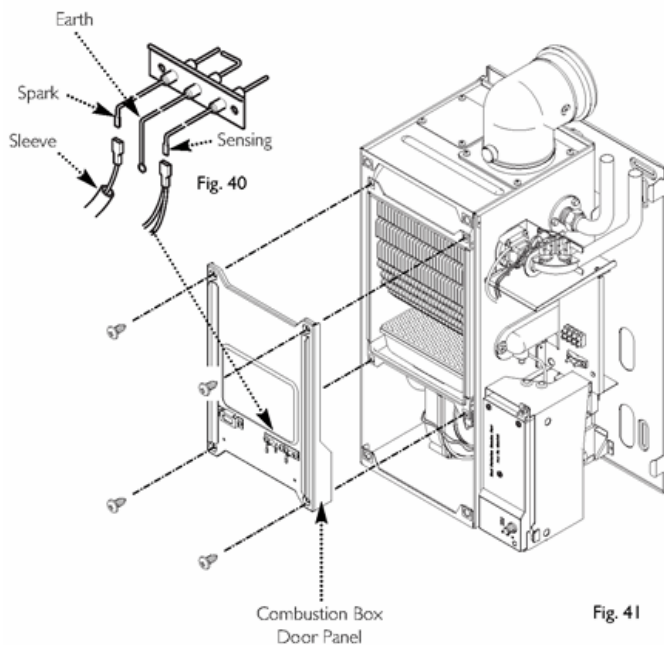


Fig. 41

page 43

11. To clean the heat exchanger and burner proceed as follows:

- a) Disconnect the electrical leads to the fan component protection sensor (Fig. 42).
- b) Loosen the screw retaining the gas injector pipe at the venturi (Fig. 42).
- c) Undo the two wing nuts to disconnect the fan (Fig. 42).
- d) Remove the fan and disconnect the electrical supply to it (Fig. 42).
- e) Remove the gas injector pipe from the gas valve (push-fit) (Fig. 42).
- f) Undo the condensate trap securing nut, lock nut and the condensate drain pipe. Remove the condensate trap and disconnect the sensor leads (Fig. 43).
- g) Remove the two screws securing the burner and remove the burner. Visually inspect the internal burner baffle for obstruction, check seal around baffle for cracks/damage. Clean with a soft brush.
- h) Loosen the two screws retaining the heat exchanger support bracket and slide to the left to remove (Fig. 44).
- i) Remove the four screws securing the heat exchanger/combustion box base and withdraw the base.
- j) Lower the central insulation panel and check condition (Fig. 44). Replace the lower insulation pad if necessary.
- k) Ensure the heat exchanger fins are clear of any obstruction.
- l) Check condition of all seals. **Important: Pay particular attention to the condition of the combustion box door seals.**
- m) Reassemble in reverse order and check for leaks.

12. Check CO/CO₂ ratio and CO₂ level at flue sampling point (Fig. 41a) as quoted in Section 4.0 'Technical Data'.

13. If the ratio or level is greater than that quoted, telephone the Technical Enquires for further advice.

IMPORTANT: No adjustment of the gas valve is permissible.

14. Complete the relevant [Service Interval Record](#) section of the [Commissioning Checklist](#) at the rear of this publication and then hand it back to the user.

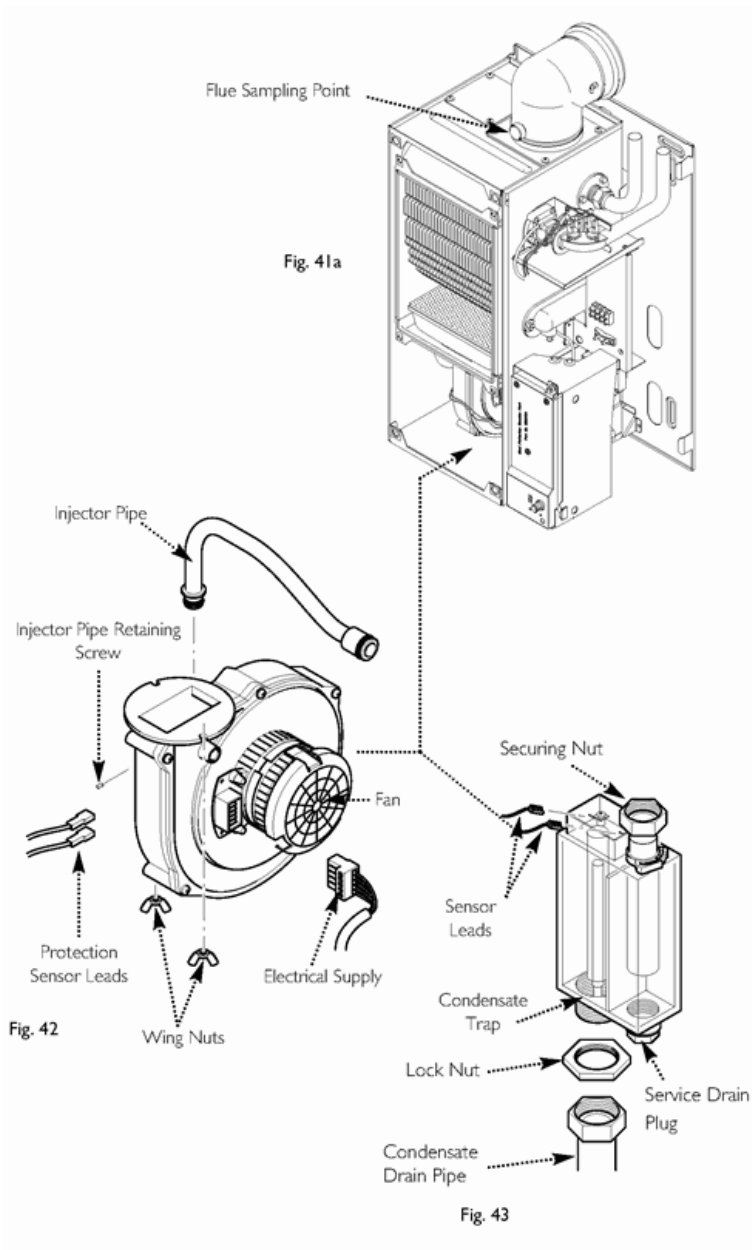


Fig. 41a, Fig. 42 & Fig. 43

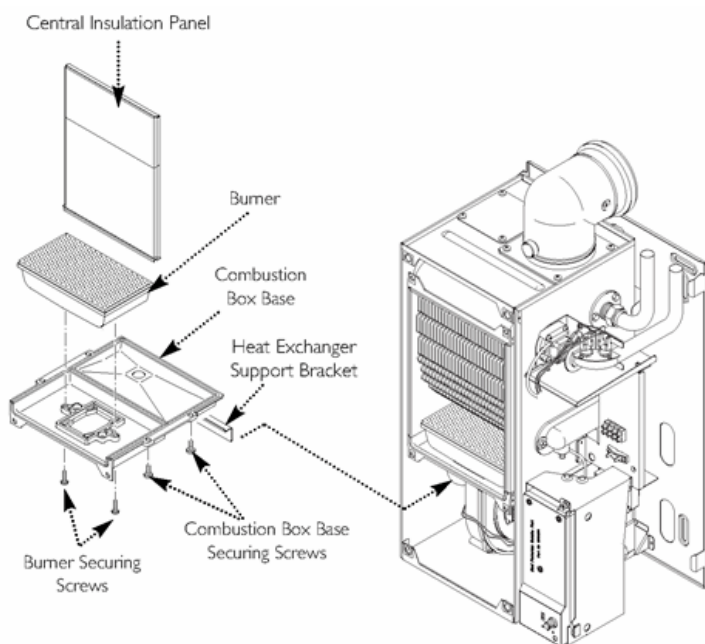


Fig. 44
page 44

15.0 Changing Components

15.1 Changing Components

IMPORTANT: When changing components ensure that both the gas and electrical supplies to the boiler are isolated before any work is started.

"The boiler cannot be switched off at the boiler, therefore it is important to isolate the electrical supply at the mains fuse."

Hazardous materials are not used in the construction of these products, however reasonable care during service is recommended.

When replacing the combustion box door after changing components, it is essential that the retaining screws are tightened fully.

After Changing Components a combustion check should be performed (see [Section 15.8.11](#)). This is especially important on gas carrying parts, and those that may affect combustion (e.g. fan).

1. Before changing any components please read [Section 1.2 Important Information](#).
2. Remove the outer case and lower door panel (see "Fitting the Outer Case" [Section 13.0](#)).

WARNING: The PCB Control and Fan Assembly are 325 Vdc. Isolate at supply before access.

3. Isolate the water circuit and drain the system as necessary. A drain point is located on the heat exchanger manifold at the right hand side of the boiler ([Fig. 45](#)) to enable the heat exchanger to be drained.
4. Place a tube on the drain point to drain water away from electrics. Turn anticlockwise to open ([Fig. 45](#)).

NOTE: When reassembling always fit new "O" rings, ensuring their correct location on the spigot. Green "O" rings are used for gas joints and Black "O" rings for water joints. Use Greasil 4000 (Approved Silicone Grease).

5. After changing a component re-commission the boiler where appropriate and check the inhibitor concentration (see [Section 6.2](#) and [12.1](#)).

The thermistor, safety thermostat, interface PCB and the flow switch can be accessed after removal of the outer case.

15.2 Flow Temperature Thermistor and Safety Thermostat ([Fig. 46](#))

1. The procedure is the same for both the thermistor and the safety thermostat.
2. Remove the electrical connections from the sensor.
3. Unscrew the sensor from the pipe.
4. Fit the new thermistor or safety thermostat and reassemble in reverse order.

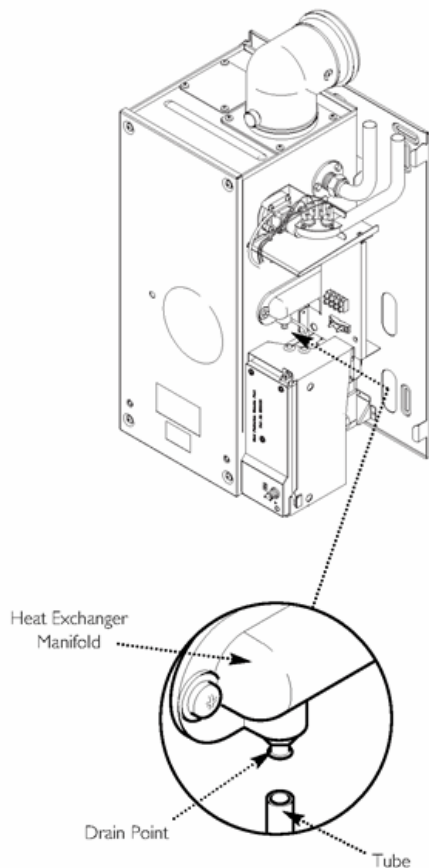


Fig. 45

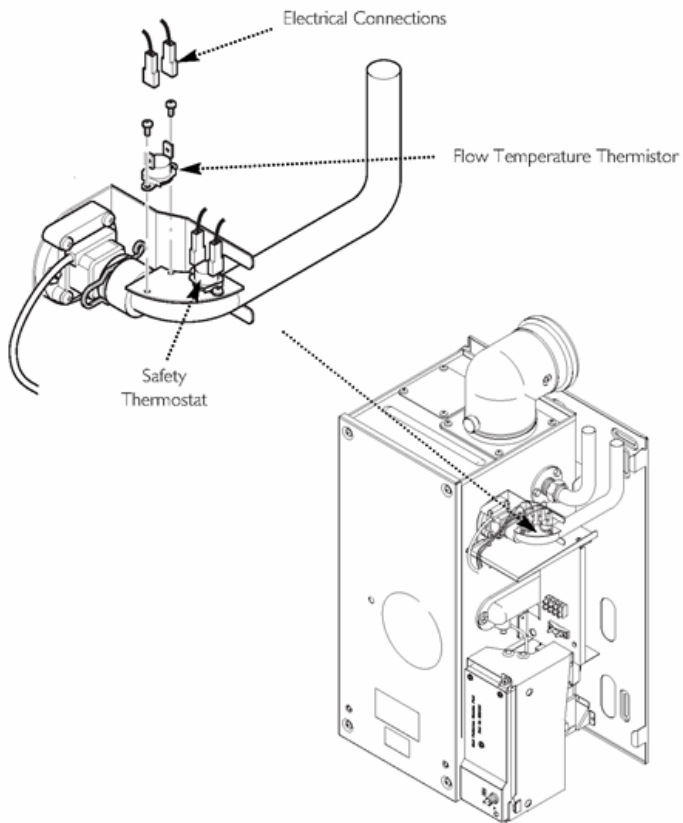


Fig. 46
page 45

15.3 Flowswitch (Fig. 47)

1. Drain the boiler (see [Section 15.1](#) paragraph 2 & 3).
2. Remove the two screws on the support bracket.
3. Remove the clip securing the flow pipe to the flowswitch.
4. Disconnect the inline electrical connection.
5. Pull pipe away from flowswitch.
6. Remove the two screws securing the flowswitch to the boiler.
7. Remove the flowswitch.
8. Fit the new flowswitch and reassemble in reverse order.
9. Recommission the boiler and check the inhibitor concentration (see [Section 6.2](#) and [12.1](#)).

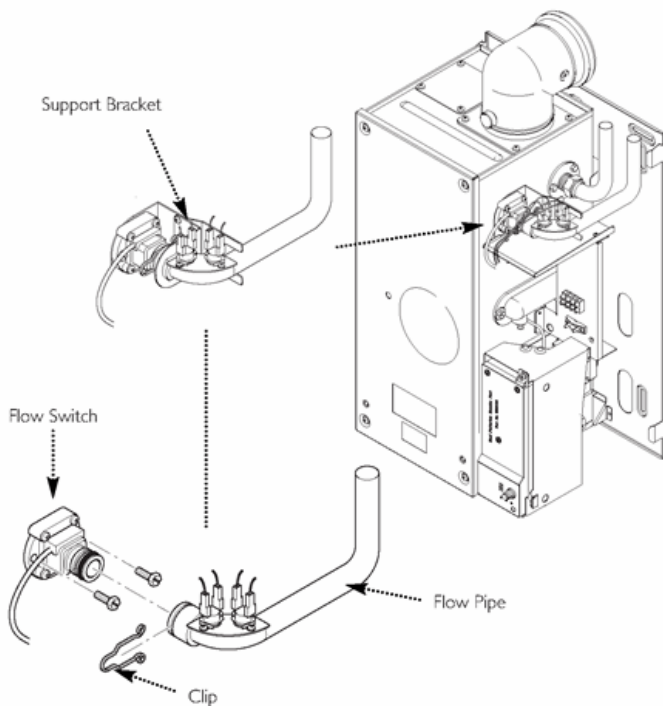


Fig. 47

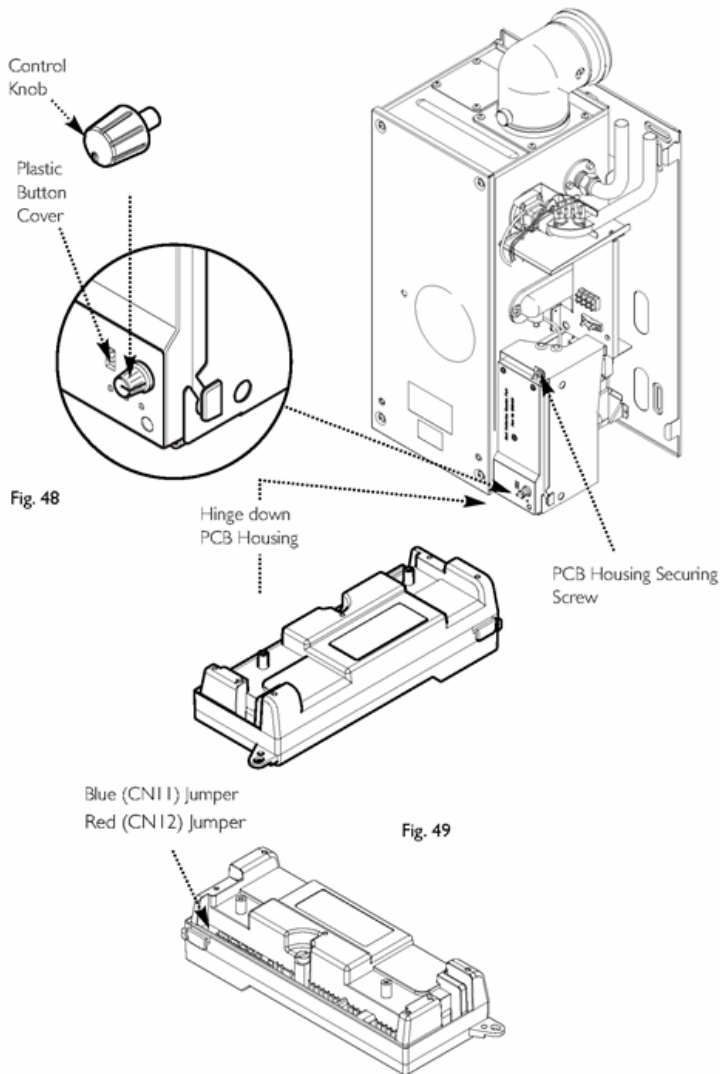


Fig. 48 & Fig. 49

15.4 PCB (Figs. 48 & 49)

WARNING: The PCB Control and Fan Assembly are 325 Vdc. Isolate at supply before access.

1. Pull the control knob off the spindle and remove the plastic button cover. Refit them onto the new PCB (Fig. 48).
2. Remove the top right hand securing screw and hinge down the PCB housing and disconnect the electrical connections noting their positions

NOTE: Check the PCB for the presence of input jumpers - see section 10.8. Set the new PCB as the one removed.

3. Lift Control PCB housing out of hinge housing of metal bracket.
4. Fit the new PCB Housing Assembly and reassemble in reverse order.

page 46

The fan and venturi, gas valve, injector pipe, condensate trap, fan protection sensor, spark and sensing electrodes can be accessed and changed on the removal of the airbox door panel.

1. Remove the airbox door panel by loosening the four $\frac{1}{4}$ turn screws (Fig. 50).

15.5 Spark and Sensing Electrodes (Fig. 51)

1. Disconnect all three leads from tabs.

Spark - Opaque cable
 Earth - Green/Yellow cable
 Sensing - White cable

2. Remove the two screws securing each of the electrodes to the combustion box door and remove the electrodes.
3. Fit the new electrodes (and new gasket, as required) and reassemble in reverse order.

15.6 Fan (Fig. 52)

**WARNING: The PCB Control and Fan Assembly are 325 Vdc.
Isolate at supply before access.**

1. Loosen the screw holding the injector pipe into the venturi.
2. Remove the electrical connections to the fan and protection sensor on the fan.
3. Remove the wing nuts securing the fan to the base of the combustion box.
4. Lower the fan and remove.
5. If changing the fan remove the screws securing the venturi and fan protection sensor bracket, noting the positions of the injector opening and sensor bracket, fix them to the new fan.
6. Fit the new fan and reassemble in reverse order.

The injector pipe, condensate trap and gas valve can be changed after the removal of the fan.

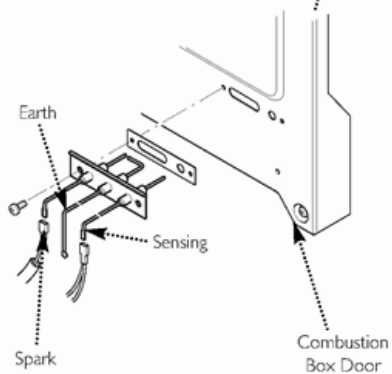
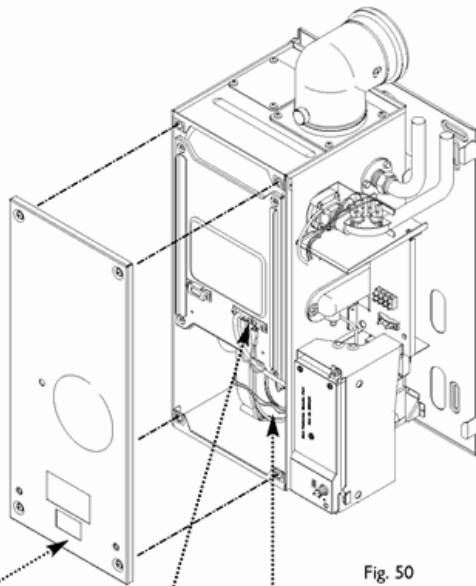


Fig. 51

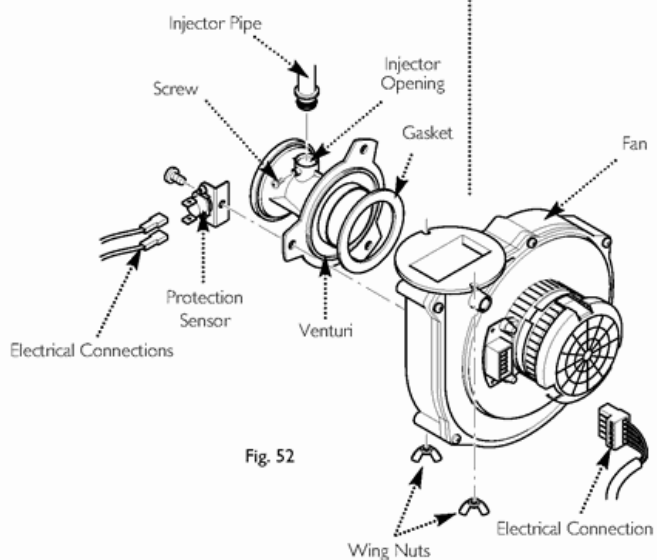


Fig. 52

The removal of the fan is necessary to enable the changing of the injector pipe, condensate trap and gas valve (see [section 15.6](#)).

15.7 Injector Pipe ([Fig. 53](#))

1. Remove the injector pipe by pulling out from the "O" ring joint in the gas valve.
2. Fit the new injector pipe and reassemble in reverse order.

15.8 Gas Valve ([Fig. 53](#))

IMPORTANT: After replacing the valve the CO₂ must be checked as detailed in [Section 14.1 paragraph 4 to 6](#).
Only change the valve if a suitable calibrated combustion analyser is available, operated by a competent person - see [Section 14.1.3](#).

1. Remove the Control PCB (see [Section 15.4](#)).
2. Isolate gas supply and disconnect the gas tap by removing the four screws.
3. Undo the case pressure pipe from the gas valve.
4. Disconnect the electrical plug from the gas valve.
5. Remove the fan (see [section 15.6](#)) and injector pipe.
6. Remove the two gas valve securing screws from inside the air box holding the gas valve.
7. Remove the gas valve from the airbox side.
8. Remove the aluminium spacer and its gasket from the gas valve.
9. Fit the aluminium spacer and its gasket to the new valve.
10. Fit the new gas valve and reassemble in reverse order.

NOTE: Check for gas tightness after replacing gas valve.

11. Check the CO₂ level. If the level is greater than that quoted, telephone the Technical Enquiries for further advice.

IMPORTANT: No adjustment of the gas valve is permissible.

15.9 Condensate Trap ([Fig. 54](#))

1. Disconnect the condensate trap from the base of the heat exchanger.
2. Disconnect the condensate drain (outside the boiler) from the condensate trap.
3. Undo the condensate trap lock nut and remove the trap from the boiler. Disconnect the sensor leads.
4. Fit the new condensate trap and reassemble in reverse order.
5. Prime the condensate trap (fill first chamber), check for leaks.

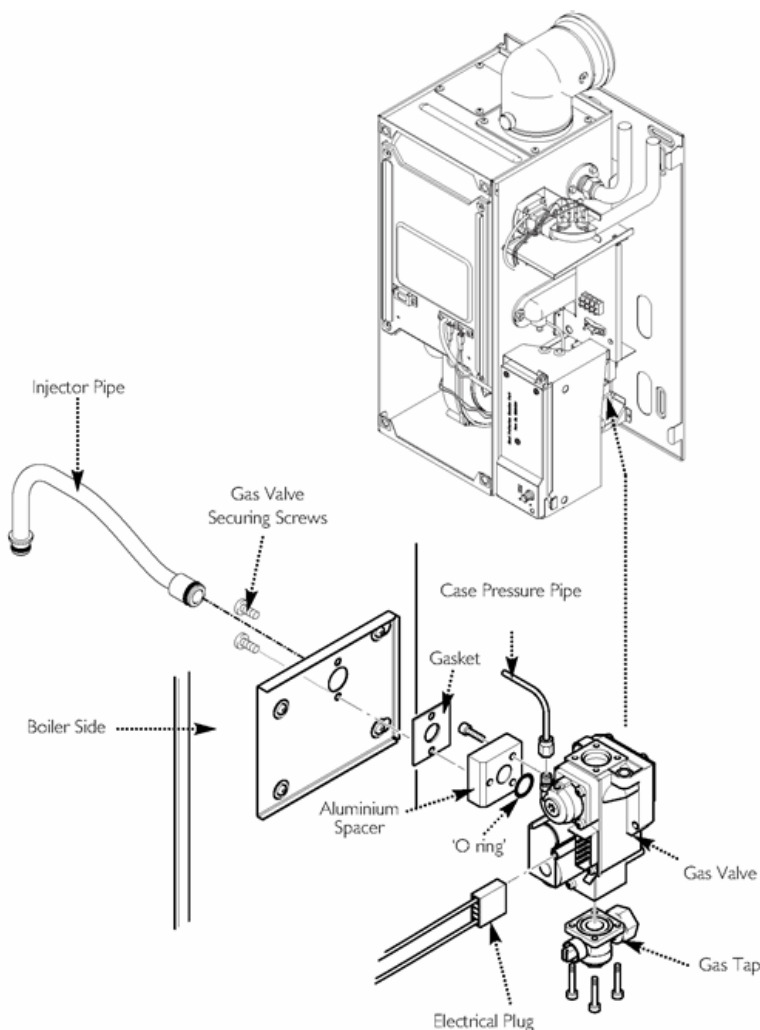


Fig. 53

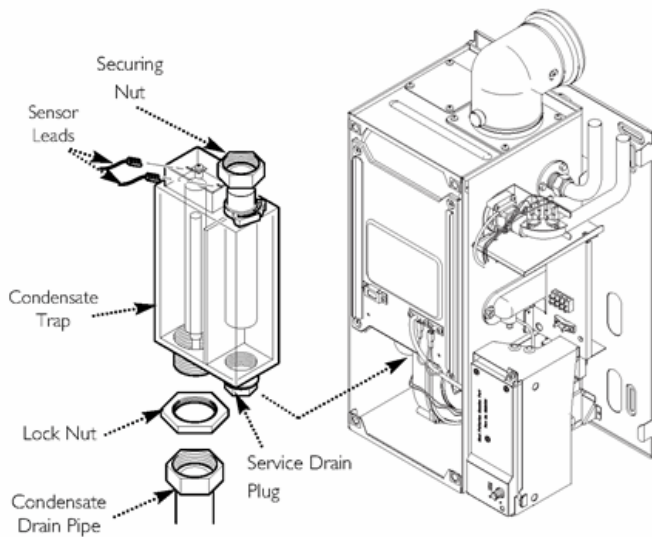


Fig. 54

page 48

The burner and heat exchanger can be changed after removal of the combustion box door. To change the heat exchanger, the fan and burner must be removed first (see [section 15.6](#) and [15.10](#)).

1. Remove the combustion box door by removing the four securing screws ([Fig. 55](#)).

IMPORTANT: On refitting the combustion box door check the condition of the combustion box door seals.

15.10 Burner ([Fig. 56](#))

1. Remove the two screws securing the burner to the base of the combustion box.
2. Remove the burner carefully from the combustion box base.
3. Check the burner seal on the heat exchanger base, replace if necessary. Fit the new burner and reassemble in reverse order.

15.11 Heat Exchanger

1. Drain the boiler (see [section 15.1](#) paragraph 2 & 3).
2. Remove all components in the base of the airbox.
3. Undo the screws on the support bracket. Remove the screws securing the flow switch and return connections and remove the connections ([Fig. 57](#)).
4. Remove the screws securing the heat exchanger manifold and remove the manifold ([Fig. 58](#)).
5. Lift the heat exchanger assembly ([Fig. 59](#)) and rotate the bottom upwards whilst pulling it forwards out of the airbox.
6. Fit the new heat exchanger and reassemble in reverse order.
7. Recommission the boiler and check the inhibitor concentration (see [Section 6.2](#) and [12.1](#)).

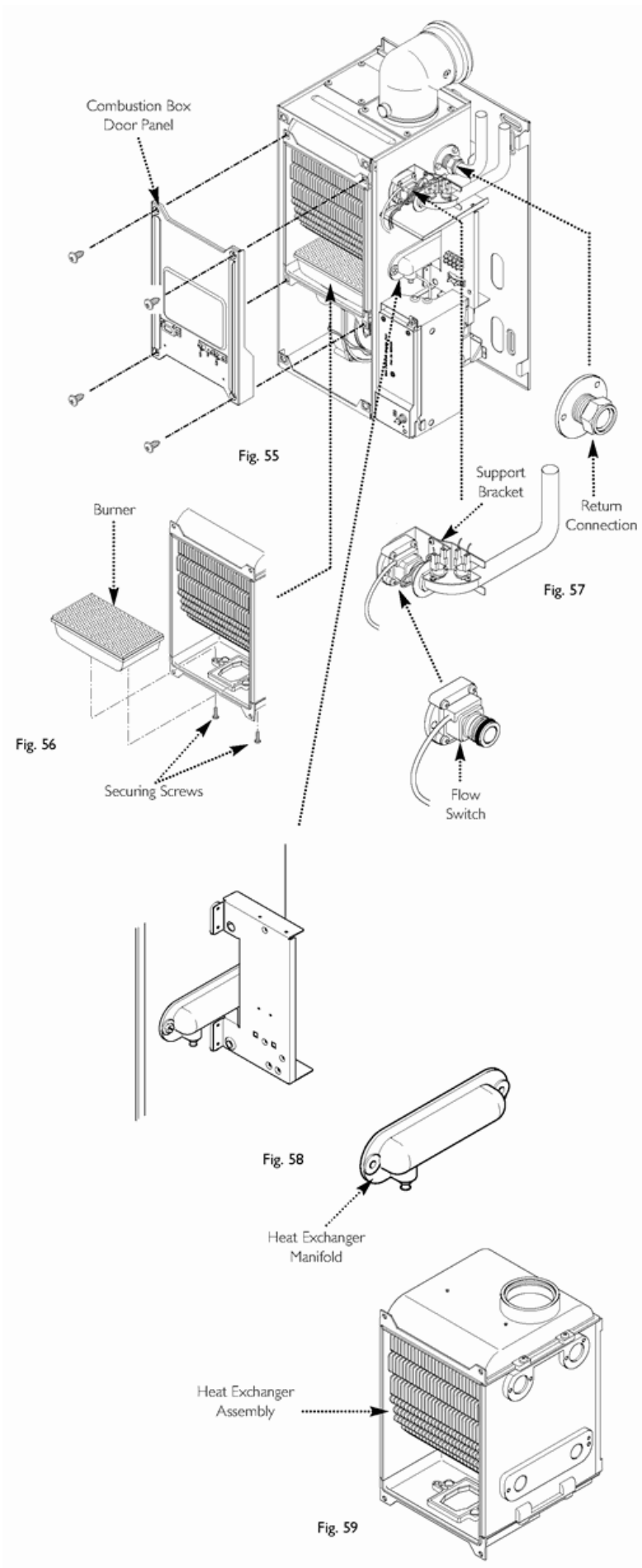


Fig. 55, Fig. 56, Fig. 57 & Fig. 59

15.12 Heat Exchanger Lower Insulation Pad (Fig. 60)

1. Remove all components in the base of the airbox.
2. Remove the burner (see [section 15.10](#)).
3. Remove the four bolts securing the combustion box base.
4. Remove the combustion box base.
5. Pull the central insulation panel down from the centre of the heat exchanger and remove the lower insulation pad.
6. Fit the new insulation pad and reassemble in reverse order.

15.13 Heat Exchanger Upper Insulation Pad (Fig. 60)

1. Remove all components in the base of the airbox.
2. Remove the burner (see [section 15.10](#)).
3. Remove the heat exchanger (see [section 15.11](#)).
4. Remove the four bolts securing the combustion box base.
5. Remove the combustion box base.
6. Pull the central insulation panel down from the centre of the heat exchanger.
7. Fit the new insulation pad and reassemble in reverse order.

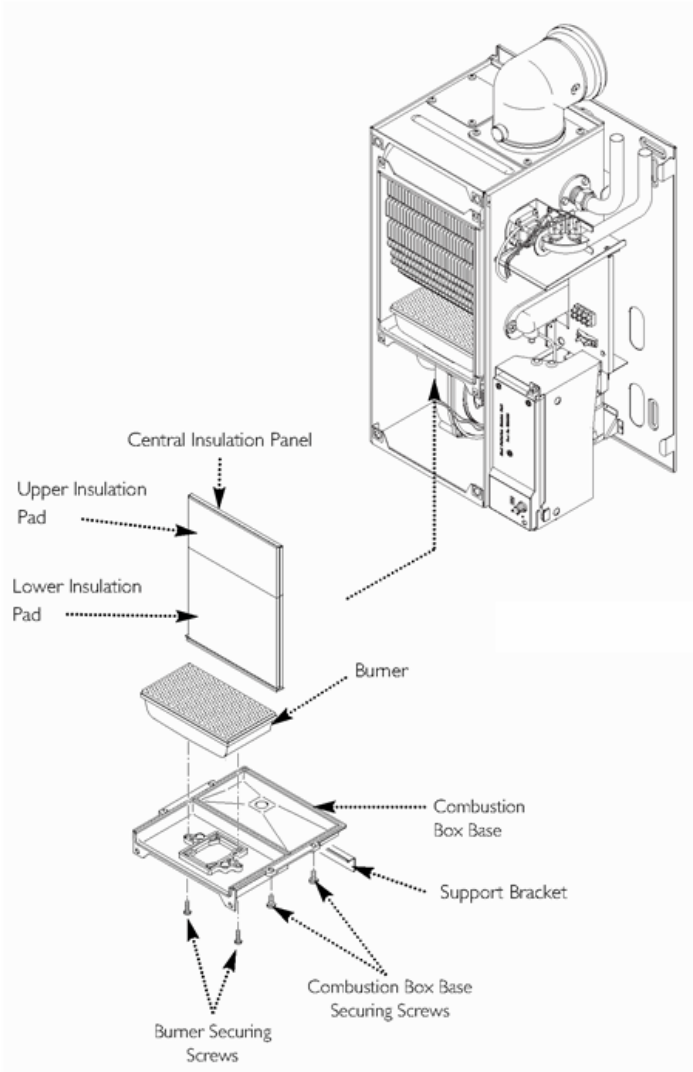


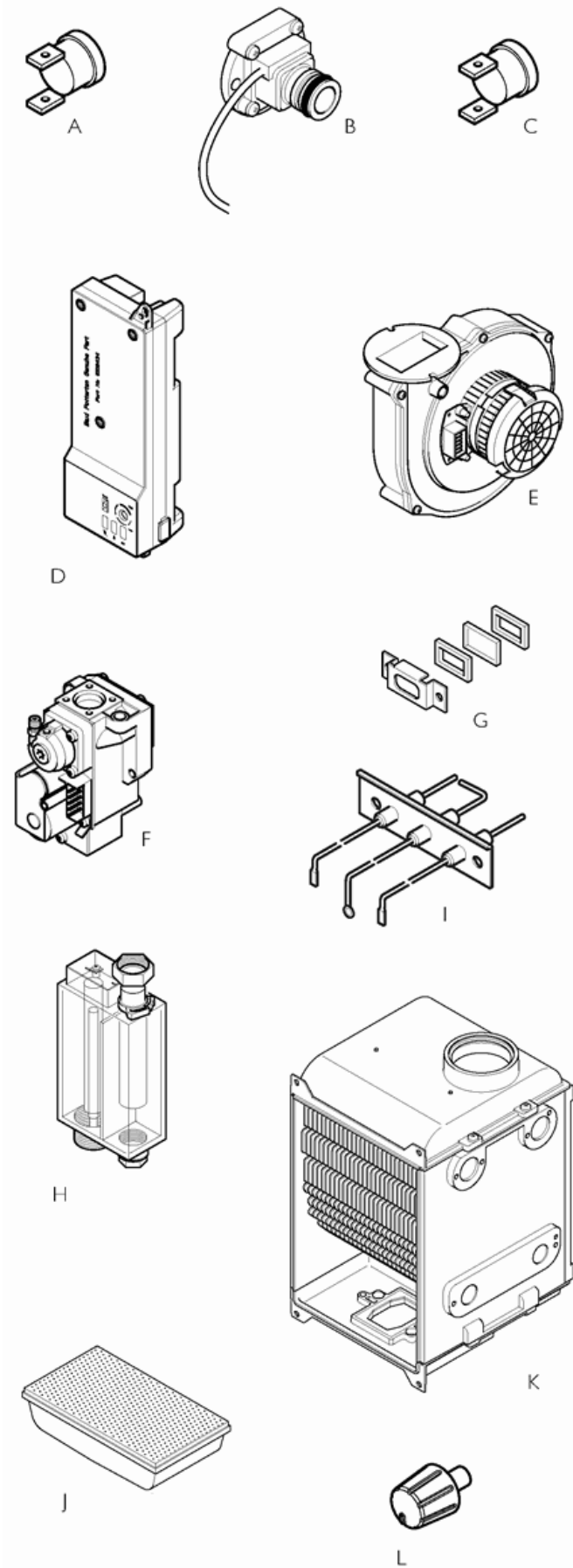
Fig. 60

16.0 Short Parts List

Short Parts List

Key No.	G.C. No.	Description	Manufacturers Part No.
A	E06 058	Flow Temperature Thermistor (Red)	240670
B	E06 059	Flow Switch	242459
C	E06 060	Safety Thermostat (Black)	242235
D		PCB	5129147
E		Fan	5109925
F		Gas Valve	241900
G	E06 085	Viewing Window	242484
H		Condensate Trap	5111714
I		Electrodes Kit	5132097

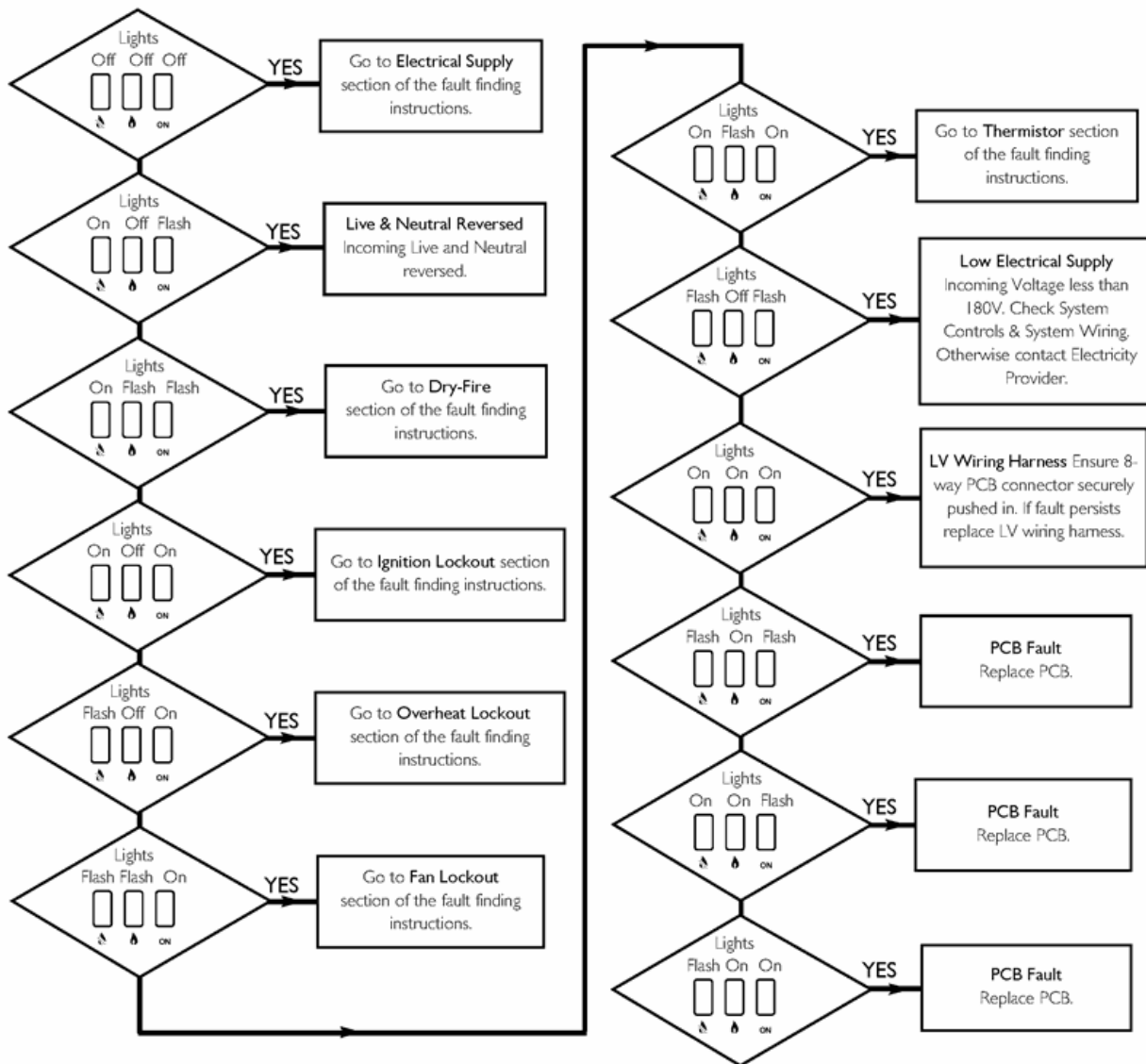
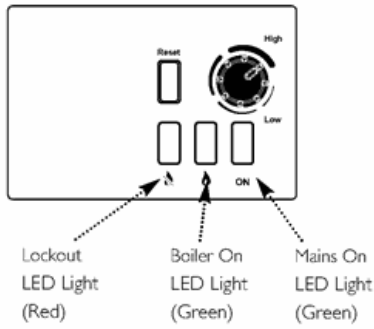
J	Burner Assy	5107430
K	E06 097 Heat Exchanger Assy	242497
L	Control Knob	5109996

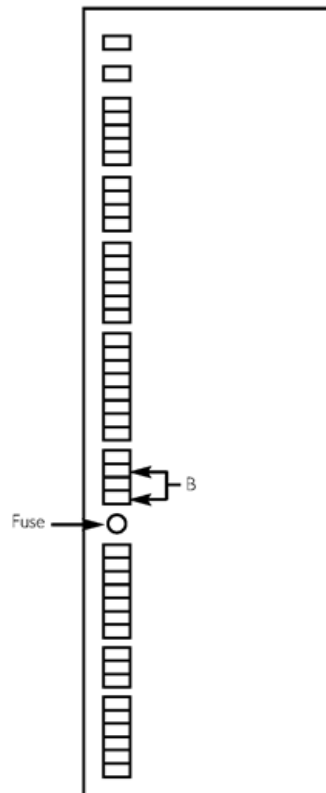
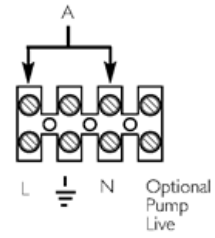
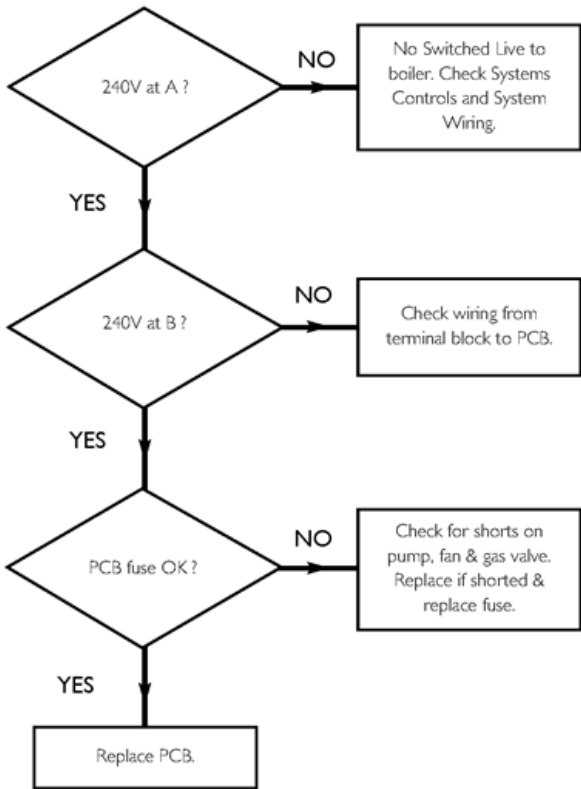
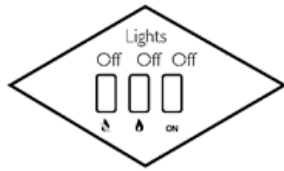


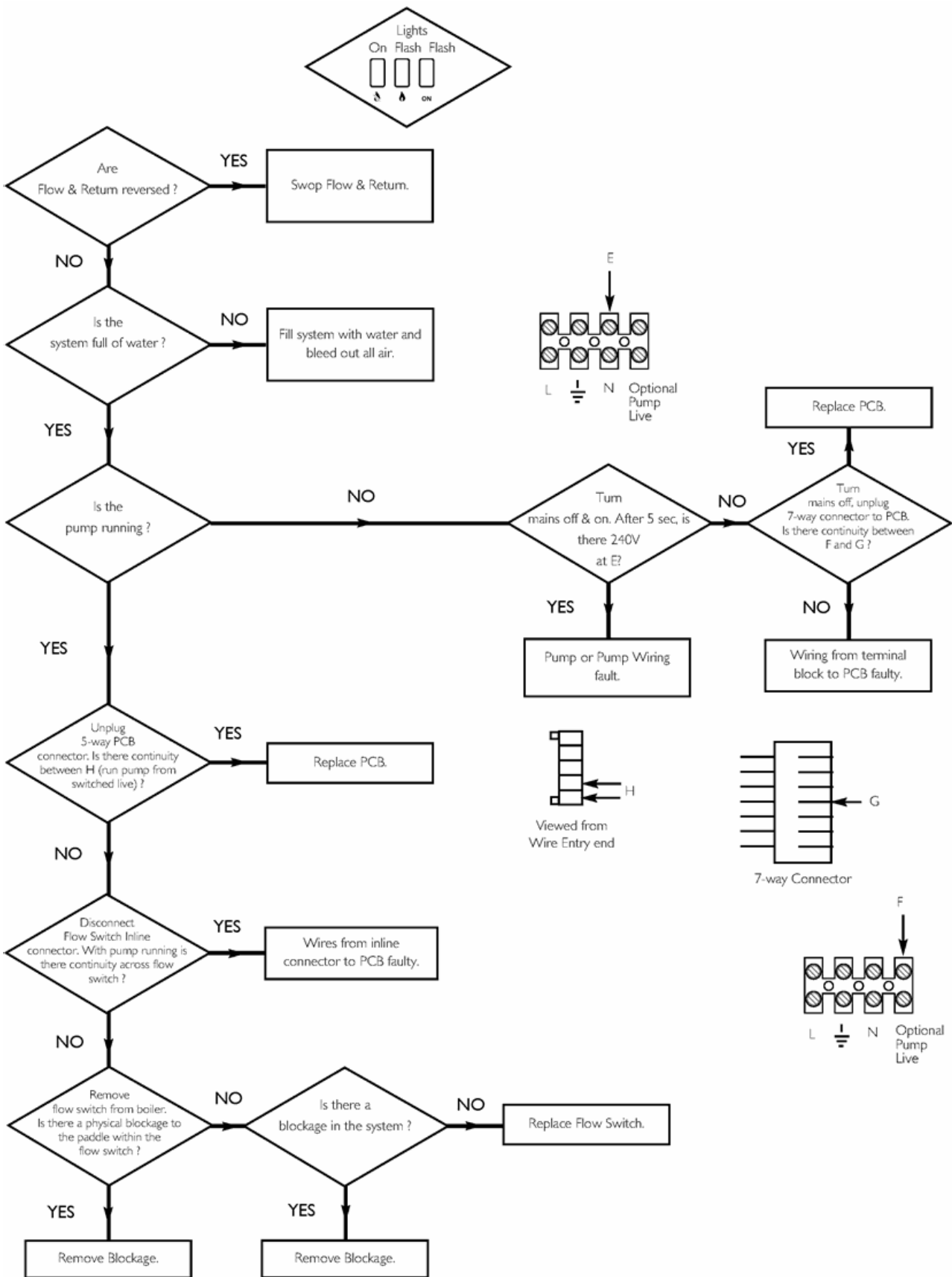
NOTE: The fan is supplied with 325 Vdc.

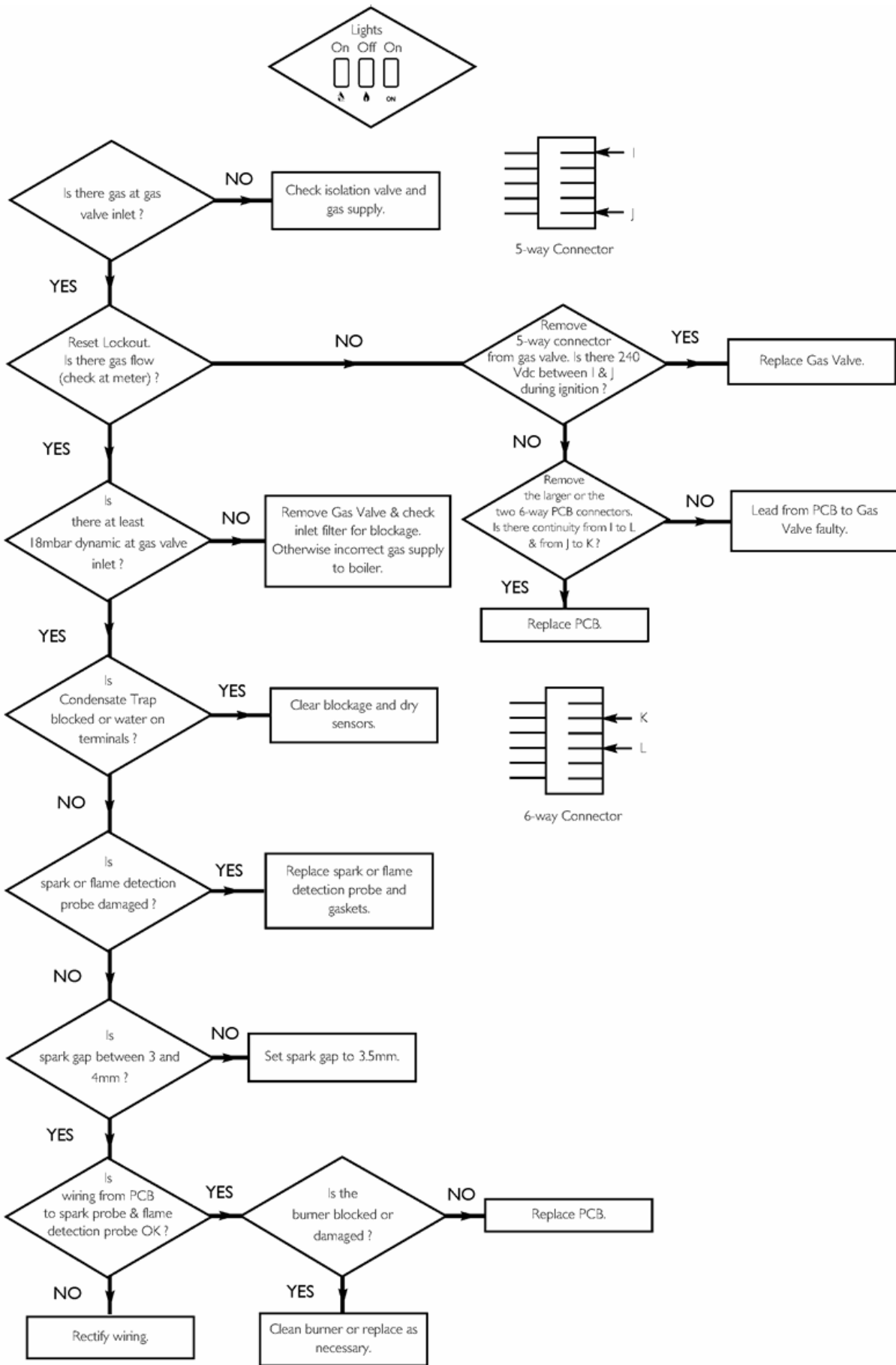
Fan Fault Finding should only be carried out after the boiler has been electrically isolated.

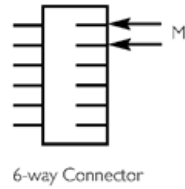
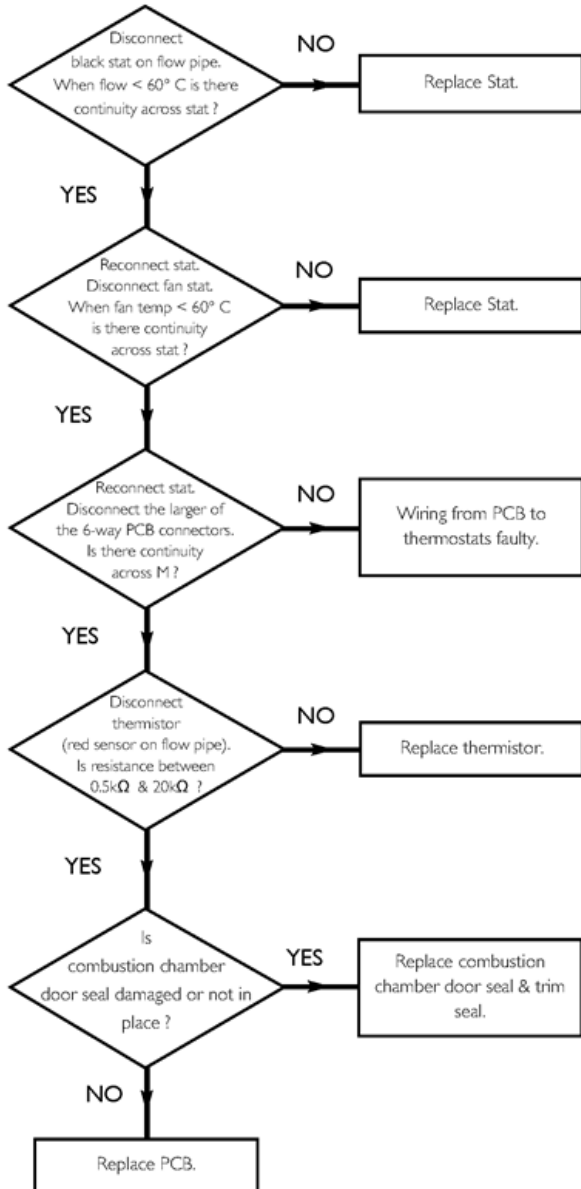
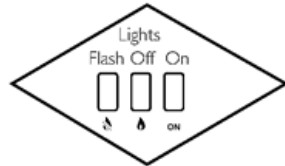
General Fault Finding should only be carried out by someone who is appropriately qualified.







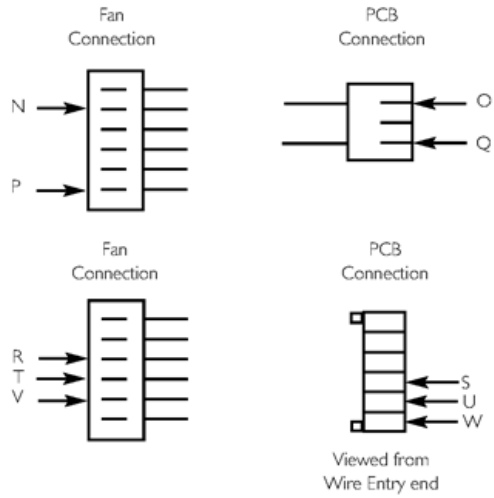
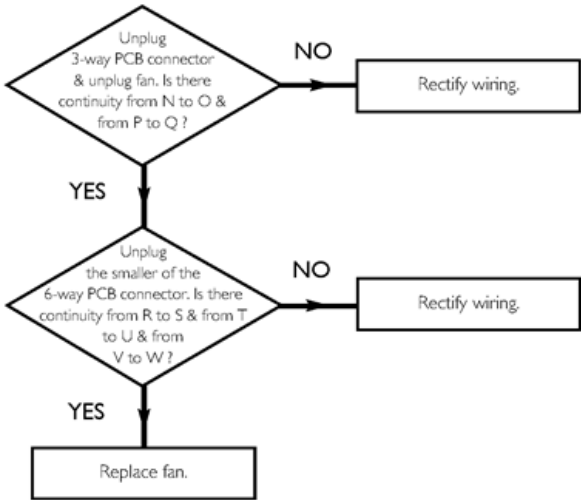
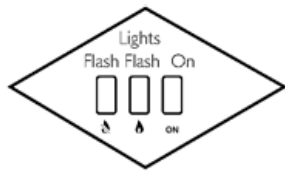




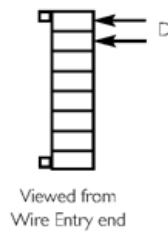
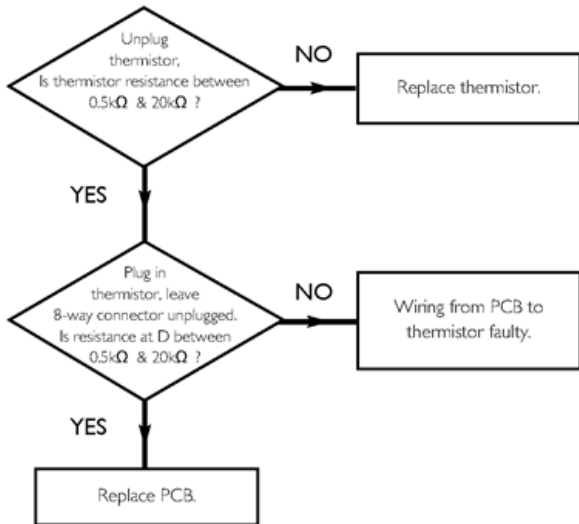
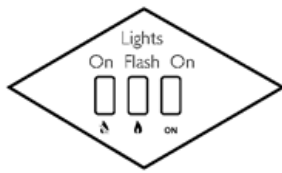
FAN LOCKOUT

NOTE: The fan is supplied with 325 Vdc.

Fan Fault Finding should only be carried out after the boiler has been electrically isolated.



THERMISTOR



GAS BOILER COMMISSIONING CHECKLIST

BOILER SERIAL No. _____

CONTROLS

TIME & TEMPERATURE CONTROL TO HEATING	ROOM T/STAT & PROGRAMMER/TIMER <input type="checkbox"/>	PROGRAMMABLE ROOMSTAT <input type="checkbox"/>
TIME & TEMPERATURE CONTROL TO HOT WATER	CYLINDER T/STAT & PROGRAMMER/TIMER <input type="checkbox"/>	COMBI BOILER <input type="checkbox"/>
HEATING ZONE VALVES	FITTED <input type="checkbox"/>	NOT REQUIRED <input type="checkbox"/>
HOT WATER ZONE VALVES	FITTED <input type="checkbox"/>	NOT REQUIRED <input type="checkbox"/>
THERMOSTATIC RADIATOR VALVES	FITTED <input type="checkbox"/>	
AUTOMATIC BYPASS TO SYSTEM	FITTED <input type="checkbox"/>	NOT REQUIRED <input type="checkbox"/>

SYSTEM CLEANING

THE SYSTEM HAS BEEN FLUSHED IN ACCORDANCE WITH THE BOILER MANUFACTURER'S INSTRUCTIONS?

THE SYSTEM CLEANER USED _____

THE INHIBITOR USED _____

IN OPERATION MEASURE & RECORD

GAS RATE _____ m³/hr _____ ft³/hr

BURNER OPERATING PRESSURE (IF APPLICABLE) N/A _____ mbar

CENTRAL HEATING FLOW TEMPERATURE _____ °C

CENTRAL HEATING RETURN TEMPERATURE _____ °C

CONFIRM THE FOLLOWING

THE CONDENSATE DRAIN HAS BEEN INSTALLED IN ACCORDANCE WITH THE MANUFACTURER'S INSTRUCTIONS? YES

THE HEATING AND HOT WATER SYSTEM COMPLIES WITH CURRENT BUILDING REGULATIONS

THE APPLIANCE AND ASSOCIATED EQUIPMENT HAS BEEN INSTALLED AND COMMISSIONED IN ACCORDANCE WITH THE MANUFACTURER'S INSTRUCTIONS

HAVE YOU RECORDED A CO/CO₂ RATIO READING? N/A YES _____ CO/CO₂ RATIO

THE OPERATION OF THE APPLIANCE AND SYSTEM CONTROLS HAVE BEEN DEMONSTRATED TO THE CUSTOMER

THE MANUFACTURER'S LITERATURE HAS BEEN LEFT WITH THE CUSTOMER

COMMISSIONING ENG'S NAME PRINT _____ ID No. _____

SIGN _____ DATE _____

SERVICE INTERVAL RECORD

It is recommended that your heating system is serviced regularly
and that you complete the appropriate Service Interval Record Below.

Service Provider. Before completing the appropriate Service Interval Record below, please ensure you have carried out the service as described in the boiler manufacturer's instructions. Always use the manufacturer's specified spare part when replacing all controls

SERVICE 1 DATE

ENGINEER NAME
COMPANY NAME
TEL No.
ENGINEER ID CARD SERIAL No.
COMMENTS
SIGNATURE

SERVICE 2 DATE

ENGINEER NAME
COMPANY NAME
TEL No.
ENGINEER ID CARD SERIAL No.
COMMENTS
SIGNATURE

SERVICE 3 DATE

ENGINEER NAME
COMPANY NAME
TEL No.
ENGINEER ID CARD SERIAL No.
COMMENTS
SIGNATURE

SERVICE 4 DATE

ENGINEER NAME
COMPANY NAME
TEL No.
ENGINEER ID CARD SERIAL No.
COMMENTS
SIGNATURE

SERVICE 5 DATE

ENGINEER NAME
COMPANY NAME
TEL No.
ENGINEER ID CARD SERIAL No.
COMMENTS
SIGNATURE

SERVICE 6 DATE

ENGINEER NAME
COMPANY NAME
TEL No.
ENGINEER ID CARD SERIAL No.
COMMENTS
SIGNATURE

SERVICE 7 DATE

ENGINEER NAME
COMPANY NAME
TEL No.
ENGINEER ID CARD SERIAL No.
COMMENTS
SIGNATURE

SERVICE 8 DATE

ENGINEER NAME
COMPANY NAME
TEL No.
ENGINEER ID CARD SERIAL No.
COMMENTS
SIGNATURE

SERVICE 9 DATE

ENGINEER NAME
COMPANY NAME
TEL No.
ENGINEER ID CARD SERIAL No.
COMMENTS
SIGNATURE

SERVICE 10 DATE

ENGINEER NAME
COMPANY NAME
TEL No.
ENGINEER ID CARD SERIAL No.
COMMENTS
SIGNATURE

Contact us

For general enquiries contact branches nationwide

For technical advice please contact 056 7720 023

For in warranty service contact 090 6424 062

Branches Nationwide

www.heatmerchants.ie

For technical enquiries please contact

warrantyapp@heatmerchants.ie

All descriptions and illustrations provided in this leaflet have been carefully prepared but we reserve the right to make changes and improvements in our products which may affect the accuracy of the information contained in this leaflet. All goods are sold subject to our standard Conditions of Sale which are available on request.

BAXI

A Trading Division of Baxi Heating UK Ltd (3879156)
Brooks House, Coventry Road, Warwick. CV34 4LL
Website www.baxi.co.uk

PART OF BDR THERMEA

Comp No 5133413 - Iss 6 - 12/12

© Baxi Heating UK Ltd 2012

page 60
