

CELT STAR C

GAS-FIRED WATER HEATER

Category: I 2E+

Installation and Use Instructions

These installation and User instructions are intended for appliances installed in Great Britain.

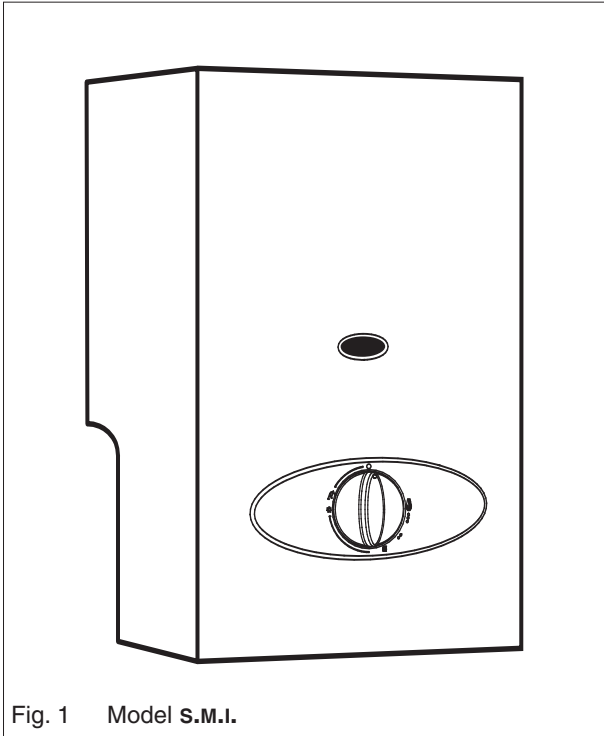


Fig. 1 Model S.M.I.

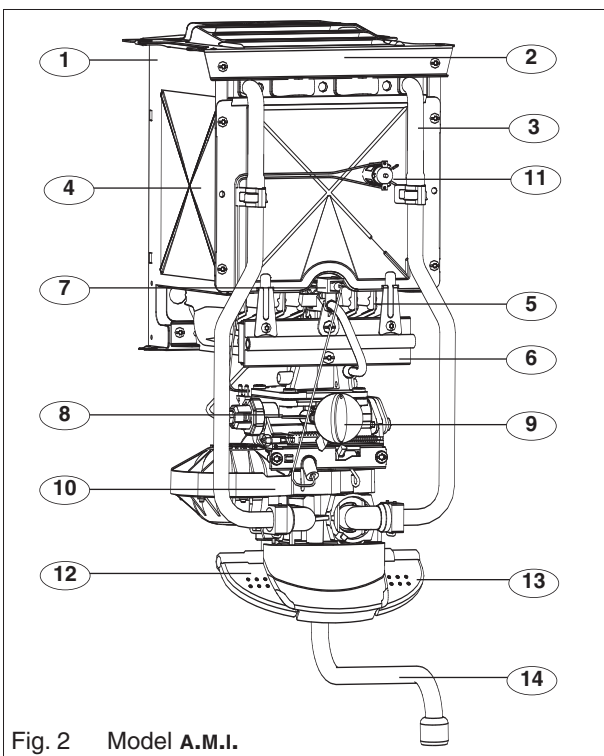


Fig. 2 Model A.M.I.

This appliance, intended for intermittent use, is designed to supply hot water to one draw off point such as the kitchen sink or a wash basin.

Appliance identification :

Celt Star CT with mixing taps - **A.M.I**

Celt Star C without mixing taps - **S.M.I**

Contents :

	Page
1. Characteristics	2
2. Installation Requirements	3
3. Heater installation	4
4. Commissioning.....	5
5. Fitting the case.....	6
6. Controls and use.....	6
7. Frost precautions	7
8. Servicing	7
9. Guarantee	8
10. Overflow safety.....	8
11. Operating Defects	8

Description:

The water heater is packaged in one box.

Inside its one-piece case, the water heater comprises:

- ① - One-piece chassis made of protected steel sheet
- ② - Deflector
- ③ - Heat exchanger made of protected copper
- ④ - Combustion chamber
- ⑤ - Multi-gas burner made of stainless steel
- ⑥ - Removable injector-holder manifold
- ⑦ - Pilot with fail-safe by thermocouple and atmosphere sensing device.
- ⑧ - Gas valve
- ⑨ - Gas ignition and flow control knob
- ⑩ - Water valve with built-in overheat limiter and scale reducer
- ⑪ - Fouling prevention thermal safety device
- ⑫ - Hot water tap ("A.M.I" models)
- ⑬ - Cold water tap ("A.M.I." models).
- ⑭ - Spout

1. Technical characteristics and dimensions

TECHNICAL CHARACTERISTICS

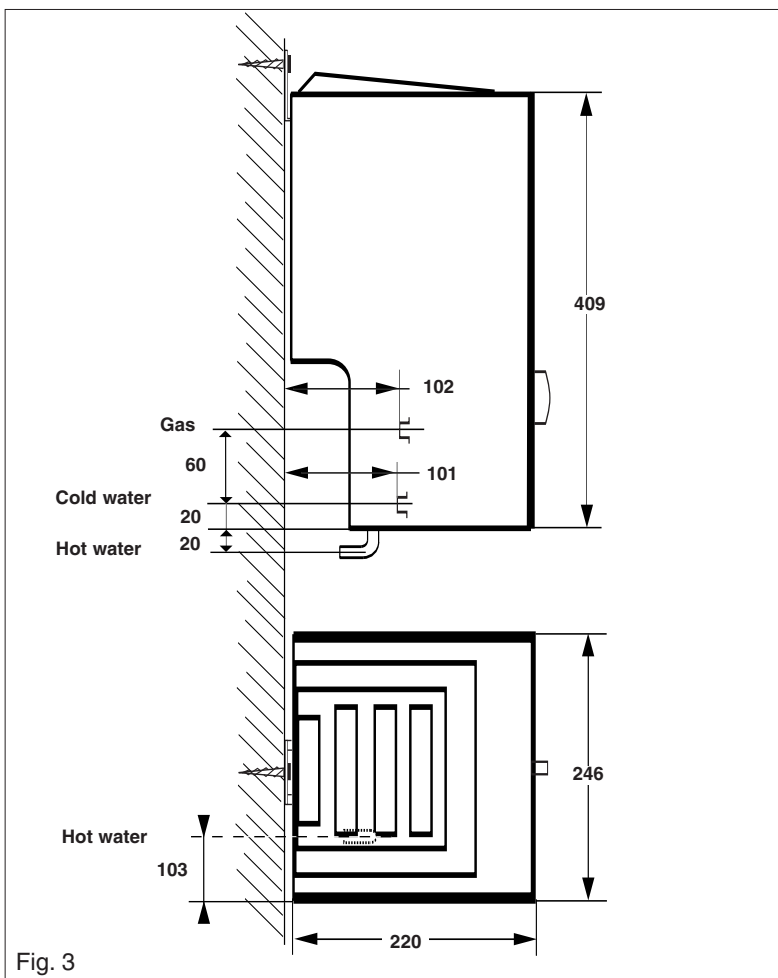
Rated heat input	=10.0 kW (34120 Btu/h)
Rated power output	=8.5 kW (29002 Btu/h)
Flow rate of water heated from 15 to 40 °C	= 5 l/min
Flow rate of water heated from 15 to 65 °C	= 2.5 l/min

Minimum water pressure to operate the "normal pressure" valve:	= 0.2 bar (3 lb/in ²)
Minimum water pressure to operate the "low pressure" valve:	= 0.1 bar (1.5 lb/in ²)
Maximum "normal pressure" water pressure (with governor) :	= 10 bar (145 lb/in ²)
Maximum "low pressure" water pressure (without governor) :	=2.5 bar (36,25 lb/in ²)
Fresh air flow rate :	= 21.5 m ³ /h

Gas flow rates (15°C - 1013 mbar)	Inlet Pressure	Gas rate
G 20 (Natural gas).....	20 mbar (8in wg).....	= 1.06 m ³ /h

Injector identification	Burner	Pilot
G 20 gas (with disc marked DIA 2.70)	INJ 123	26-40

• 1 bar = 1,02 kg/cm² (the pressure must be measured at the appliance inlet, while the appliance is working).



2. Installation Requirements

2.1 Related Documents

The installation of the heater must be in accordance with the relevant requirements of the Gas Safety (Installation and Use) Regulations, Building Regulations and the Byelaws of the local Water Undertaking. It should be in accordance also with any relevant requirements of British Gas and local authority, and the relevant recommendations of the following current British Standard Codes of Practice :

BS 6891 : Specification for installation of low pressure gas pipework up to 28 mm (RI) in domestic premises (2nd family gases).

BS 5546 : Installation of gas hot water supplies for domestic purposes (second family gases).

BS 5440 : Flues and air supply for gas appliances of rated input not exceeding 60 kW (1st, 2nd and 3rd family gases).
Part 1 Flues
Part 2 Air Supply

2.2 Air Supply

IMPORTANT : This heater should be used in a well ventilated room. An air vent direct to outside is required where the room volume is less than 20 m³ size in accordance with the following table. In addition an openable window is required. This heater must not be installed in a space less than 5 m³ in total volume.

This water heater is fitted with an atmospheric sensing device which will turn off the gas supply to the pilot and burner, when the oxygen in the atmosphere in the locality of the heater is diminished and will not support safe combustion. It also pro-

Room Volume	Permanent Air vent	Openable Window
0 - 5 m ³	Installation not permitted	
5 m ³ - 10 m ³	100 cm ²	YES
11 m ³ - 20 m ³	50 cm ²	YES
over 20 m ³	NIL	YES

tests the user if the heat exchanger fins become blocked. It is therefore important that the heater is not located over a cooker or in a position where the air supply is restricted or contaminated. The location must also permit space for servicing and air circulation around the appliance.

2.3 Gas Supply

An adequate sized gas meter must be connected to the service pipe. Where necessary British Gas will arrange for the existing meter to be checked or for a suitable meter to be installed. On no account must any work be carried out on the gas meter

other than by British Gas or their specifically authorised contractor.

Installation pipes should be fitted in accordance with BS 6891: Pipework from the meter must be of adequate size. Pipes of a smaller size than the gas connection should be not used,

The complete installation must be tested for gas soundness and purged in accordance with BS 6891.

In addition to any other gas appliance installed in the premises, the meter should be capable of passing : 40 cu. ft/h of natural gas.

2.4 Description of Operation of Special Components

2.4.1 Atmospheric Sensing Device

The thermoelectric circuit is fitted with a thermal switch located on the front of the combustion chamber of the heater. When the oxygen in the atmosphere in the locality of the heater becomes diminished and is unable to support safe combustion, the products of combustion pass through an orifice in the front panel and the increase in temperature is detected by the thermal switch. When the switch is activated it interrupts the thermoelectric circuit and the pilot and main burner are extinguished.

2.4.2 Scale Reducer

The scale reducer is a diaphragm vessel forming part of the water section. At the termination of a demand cycle the contents of the heat exchanger are displaced into the vessel and replaced with cold water.

2.5 Flue

These appliances are flueless. Protection is provided in the form of the atmospheric sensing device (see Section 2.5.1).

They must not be operated continuously for more than five minutes.

CONTROL OF SUBSTANCES HARMFUL TO HEALTH

IMPORTANT

To comply with the Control of Substances Harmful to Health Regulations 1988 we are required to provide information on the following substance that is contained in this appliance.

Description

Combustion Chamber

Material

Alumino Silicone Fibre

Precautions

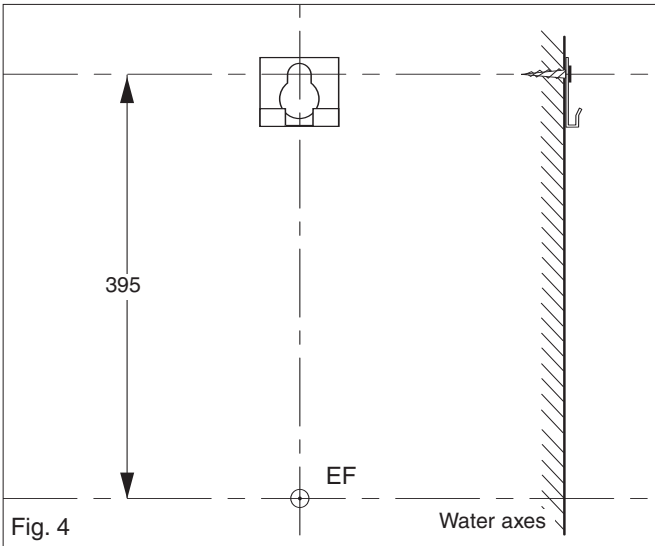
During servicing, keep the dust generation to a minimum and avoid inhaling any dust and contact with the skin and eyes. Normal handling and use will not present any discomfort, although some people with a history of skin complaints may be susceptible to irritation.

When disposing of the lining ensure that it is securely wrapped and wash hands after contact.

3. Water heater installation

Mounting the appliance

- fix the wood screw of the support bracket 395 mm above the centreline of the water outlet
- remove the gas control knob (9) (fig. 2) pulling it towards you
- remove the four screws "V" (fig. 10) securing the case
- remove the case
- position the appliance, engaging the slot cut in the chassis on the support bracket (fig. 4).



Connections

The appliance is delivered complete, ready to install. The accessories pouch contains the following items :

Natural gas connection (fig. 5) :

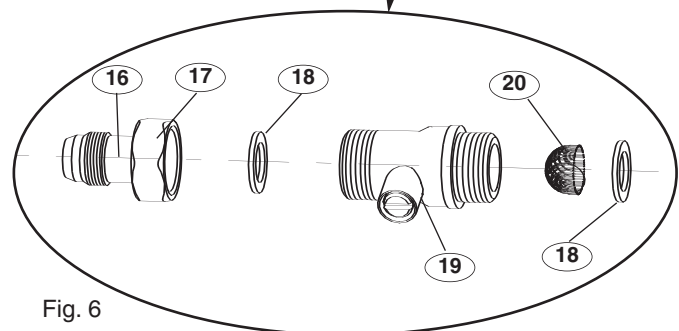
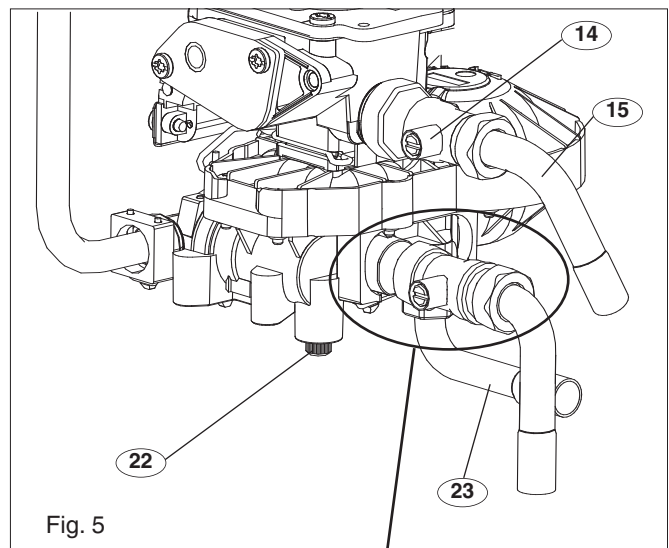
- one valve (14) $\text{Ø } 3/4" \text{ F} / \text{Ø } 1/2" \text{ M}$ with $1/2"$ gasket
- one brazed angle socket (15) $\text{Ø } 14 \times 0,75$ with nut and gasket.

Cold water connection (fig. 6) :

- one M16 union (16), one $1/2"$ nut (17), two gaskets (18), one valve (19) $\text{Ø } 1/2" \text{ M} / \text{Ø } 1/2" \text{ M}$, one water filter (20) (with built-in mixer AMI only).

Hot water connection (fig. 5) :

- one blanking disc with $3/8"$ nut and gasket or one tube (23) $\text{Ø } 12 \times 1$ with $3/8"$ nut and gasket.



Important : Clean the inside of the water and gas pipes of the installation thoroughly before connecting the appliance.

4. Commissioning

- make sure that the cold water inlet valve item 19 (fig. 6) and the gas valve item 14 (fig.5) are open
- make sure that there is no leakage along the entire gas line
- fit the gas knob temporarily
- turn on the water heater
- follow the instructions in section 6, Controls and use.

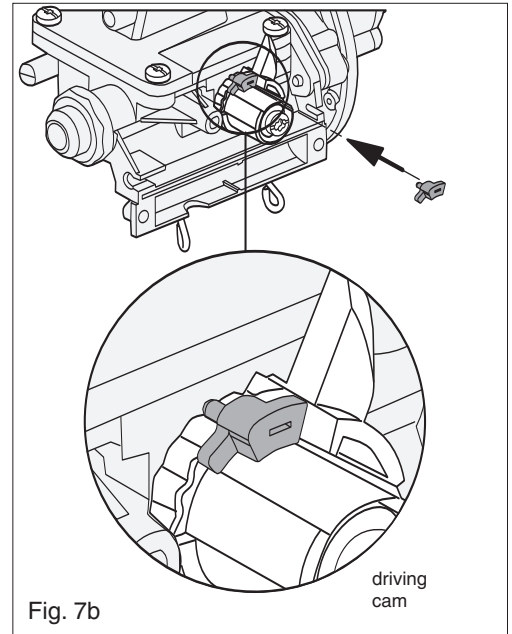
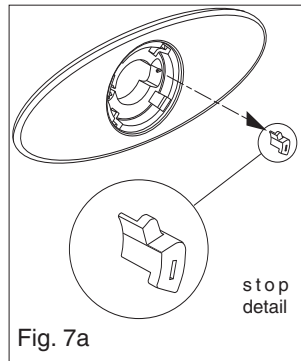
Maximum gas power adjustment

(if necessary) :

The appliance is adjusted in the factory for a rated gas supply pressure (refer to the Technical characteristics).

In the case of a higher supply pressure, the maximum gas power can be adjusted by proceeding as follows :

- detach the stop from the fascia (fig. 7a)
- place it on the gas control cam (fig. 7b).



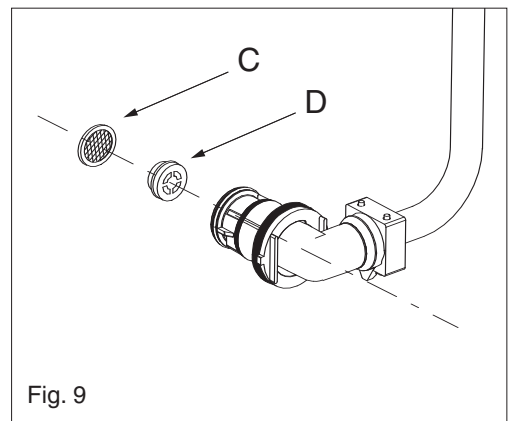
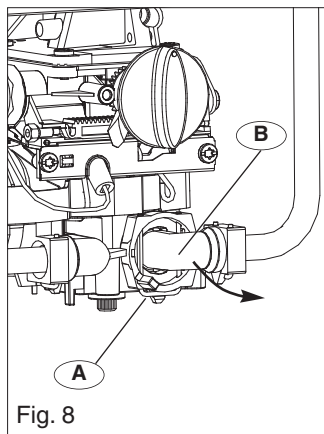
Water pressure adjustment

(if necessary) :

The appliance is configured for normal water pressure

If your water supply pressure is low (< 2,5 bar), your appliance should be converted by proceeding as follows :

- remove the case (refer to section 5)
- remove the pin A (fig. 8)
- withdraw the water control B (fig.8)
- remove the water filter C (fig. 9)
- remove the governor D (fig. 9)
- replace the water filter and reassemble the components in reverse order.



5. Fitting the case

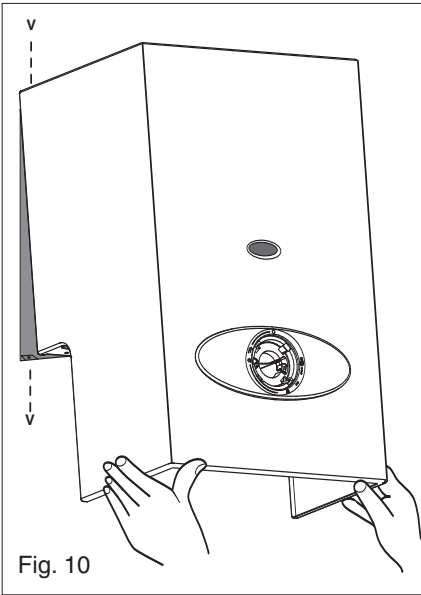


Fig. 10

- remove the protective film from the case
- fit the two pinch nuts, delivered in the accessories pouch, on the deflector
- position the case top-first (fig. 10)
- fit the four screws "v"
- fit the fascia attachment screw (fig. 10a) (supplied in the accessories pouch)
- fit the gas control knob.

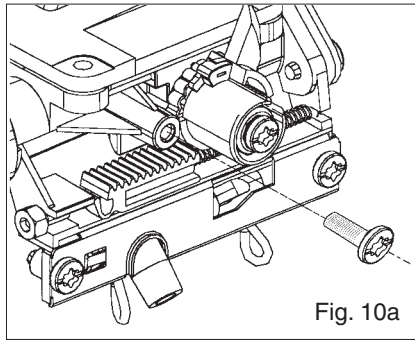


Fig. 10a

6. Controls and use

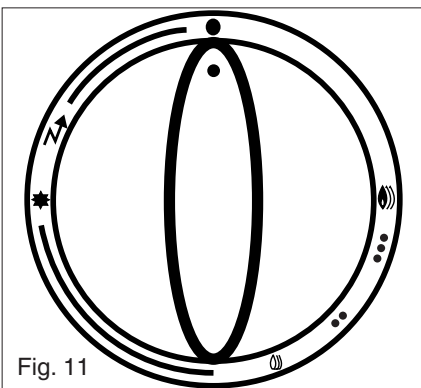


Fig. 11

Controls

Control panel (fig. 11):

Gas control knob symbols :

● : Off

↗ : Pilot ignition
piezo triggering

★ : Pilot position

⦶ : Reduced power

⦶ : Intermediate
powers

⦶ : Maximum power

Note : The shape and colour of the control panel may differ according to the model.

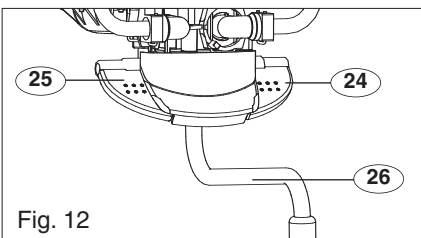


Fig. 12

Built-in mixer tap (fig. 12) :

The "A.M.I." models incorporate a mixer tap with "quick-connect" ceramic heads for use over a draw-off point.

This mixer tap comprises :

24 : a cold water lever

25 : a hot water lever

26 : spout

6. Controls and use (continued)

Use

To light the pilot

Turn the gas control knob in the direction of the arrow.

The click at the "⚡" (fig. 13) generates the pilot ignition spark.

Note :The first time the pilot is lit, it may be necessary to wait a few moments for the air to be pushed out of the pilot circuit before the pilot lights. In this case, hold the knob for a few moments at the "★" mark, then repeat the operation until the pilot lights.

- When the pilot lights, hold the knob at the "★" mark for a few seconds to set the thermocouple safety device, then turn the knob further in the direction of the arrow until it is between "🔥" and "🔥" (fig. 14).

Power adjustment

- This water heater, with automatic power variation, is fitted with a system enabling the user to limit its maximum power. To do this, turn the knob until it is between "🔥" and "🔥".

- This appliance operates in such a way that it can be used over a wide range of flow rates without adjusting the power. The hot water temperature is determined by the draw-off flow rate.

To turn off the heater

Turn the control knob back to the "●" mark.

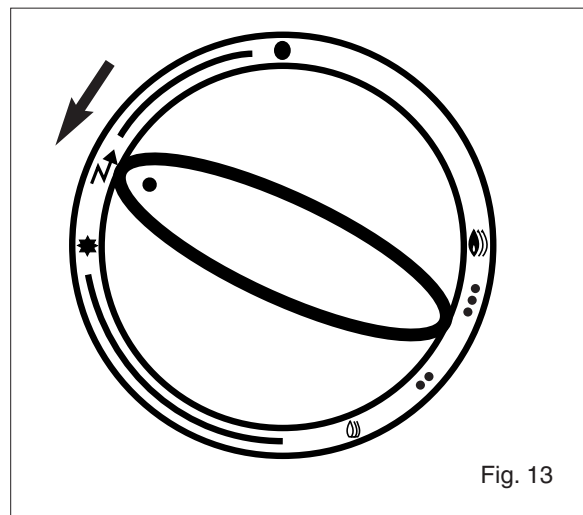


Fig. 13

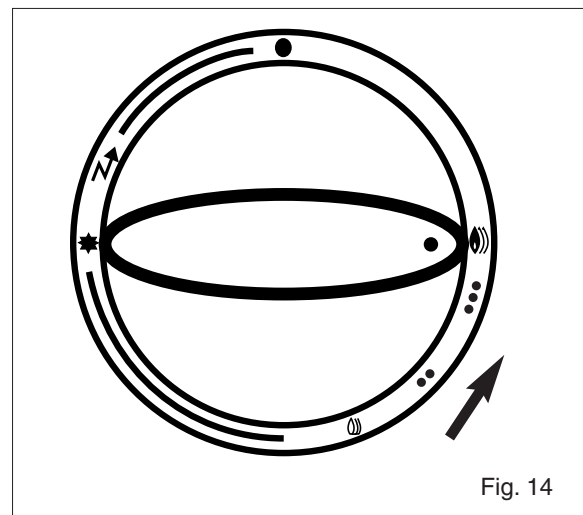


Fig. 14

7. Frost precautions

- We advise you to contact your installer or your after-sales service to obtain details of the most suitable measures for your installation.

Take the following steps :

- turn the heater off
- close the cold water inlet valve item 19 (fig. 6, page 4)
- open a hot water tap
- unscrew the drain plug item 22 (fig. 5, page 4).

8. Servicing

Annual servicing of your water heater is necessary.

Have the heater inspected by a qualified professional once a year.

Annual service contracts covering all the servicing operations on your water heater can be offered to you by service providers. Contact your installer or our Customer Services Department.

Descaling: Only the heat exchanger should be descaled. The descaling agent must never be allowed to flow through the water valve.

In order to ensure the safety of the consumer, we remind you that thorough rinsing is necessary after descaling before the heater is put back into service.

The manufacturers warranty covers manufacturing defects but not malfunction caused because of the need for service.

The case surface can be cleaned with soapy water or a non-abrasive cleaning agent, using a soft cloth.

9. Guarantee

Your water heater is guaranteed for a period of one year.

The terms of the guarantee are explained in the guarantee certificate.

IMPORTANT : Make sure that the detachable coupon on the certificate has been returned to CHAFFOTEAUX & MAURY.

In order to benefit from the guarantee, your water heater must have been installed, adjusted and commissioned by a qualified professional. This gives you the assurance that your installer has complied with the installation instructions and that the regulations and safety conditions have been satisfied.

10. Safety

This water heater incorporates safety devices in compliance with the Gas Safety (Installation & Use) Regulations 1998.

- an atmosphere sensing device which shuts down the water heater if the premises where it is installed are inadequately ventilated

- a preventive service safety device which shuts down the water heater in the event of abnormal fouling of the heating body.

The incorporation of these devices means that the appliance can be installed without being connected to a flue.

After shutdown the water heater is in the "safety" position. After approximately five minutes, it can be turned on again manually, following the normal lighting procedure. If the appliance shuts down repeatedly, you must contact a qualified professional.

Warning :

- these safety devices must not be rendered inoperative

- only CHAFFOTEAUX & MAURY original parts must be used for replacement.

11. Operating defects

Incidents	Causes	Solutions
You do not have any hot water The water heater does not come on.	Water inlet valve closed. No gas, pilot not lit No water.	Open the valve Light the pilot Make the necessary checks (gas inlet, water on).
The pilot does not light.	Gas valve closed Air in the gas circuit.	Open the valve May occur after a long shutdown Repeat the lighting procedure (refer to section "6").
The water heater turns off while water is being drawn.	Inadequate ventilation or extraction of fumes.	- air the premises thoroughly - make sure that the top and bottom ventilation openings are not obstructed. - put the appliance back into service by lighting the pilot.

If these solutions are not effective, contact a qualified professional.

Chaffoteaux & Maury are continuously improving their products and therefore reserve the right to change specifications without prior notice and accepts no liability for any errors or omission in the information contained in this document.

Manufacturer:

Chaffoteaux & Maury - France

Commercial subsidiary:

MTS (GB) Limited
MTS Building
Hughenden Avenue
High Wycombe
Bucks HP13 5FT

Telephone: (01494) 755600

Fax: (01494) 459775

Internet: www.chaffoteaux.co.uk

E-mail: info@uk.mtsgroup.com

Technical Support Help Line: 0870 241 8180

Customer Service Help Desk: 0870 600 9888