



# DOMINA N 80 DGT

**Copper Wall-Mounted Combination,  
Gas Fired Boiler for Central Heating  
and Domestic Hot Water Production,  
Fan Assisted, Room Sealed Compartment,  
Electronic Flame Ignition and Control**



**INSTALLATION, SERVICE AND USER  
INSTRUCTIONS**

**G.C. NO: 47-267-23**



## IMPORTANT

Your "benchmark" Installation, Commissioning and Service Record Log Book will be enclosed in your customer information pack.

**"This record must be completed and left with the end user"**

**"All CORGI Registered Installers carry a CORGI ID card and have a registration number. Both should be recorded in your central heating log book. You can check to the CORGI registered by calling CORGI on 01256 372300".**

Ferrolis is a member of the Benchmark initiative and fully supports the aims of the programme. Benchmark has been introduced to improve the standards of installation and commissioning of central heating systems in the UK and to encourage the regular servicing of all central heating systems to ensure safety and efficiency. Please see installation and servicing guidelines.

## **CE MARK**

CE mark documents that the Ferrolis gas appliances comply with the requirement contained in European directives applicable to them.

In particular, the appliances comply with the following CEE directives and the technical specifications provided from them:

- Gas appliances directive 90/396
- Efficiencies directive 92/42
- Low tension directive 73/23 (modified from the 93/68)
- Electromagnetic compatibility directive 89/396 (modified from the 93/68)

## **Year 2000 Compliance Declaration**

We will guarantee that this products is altogether suitable for the data change in the Year 2000 (boiler has no dependence from date change) and that no disruptions will occur which is caused by this product.

## **INDEX**

1. DESCRIPTION.....	3
2. TECHNICAL AND DIMENSIONAL CHARACTERISTICS.....	4
3. INSTALLATION DETAILS .....	9
4. COMMISSIONING AND TESTING.....	27
5. ADJUSTMENT AND GAS CONVERSION .....	28
6. MAINTENANCE AND CLEANING .....	30
7. REPLACEMENT OF PARTS.....	32
8. FAULT FINDING .....	37
9. ELECTRICAL AND FUNCTIONAL SCHEME.....	41
10. USER INSTRUCTIONS .....	46

---

## 1. DESCRIPTION

---

### 1.01 Introduction

The **Domina N 80 DGT** is defined as a "room sealed" combination boiler, all air required for combustion is taken from outside the room in which it is installed. It is a new high performance gas fired heat generator for central heating and domestic hot water production. A special feature of this boiler is its built-in electronic flame ignition and control unit making burner operation completely automatic and safe. The main components are as follows:

- Copper heat exchanger consisting of three finned tubes specifically shaped for high efficiency.
- There are three copper coils inserted in the three heating circuit tubes. These represent the domestic hot water heat exchanger. Their shape and high exchange surface area enable the full output of the boiler to be absorbed.
- Ceramic fibre insulated combustion chamber
- 12 stainless steel bladed burners specifically designed for this boiler.
- Fan for discharge of combustion products and intake of combustion air.
- Differential air pressure switch. For safety reasons, this ensures the burner ignites only when the fan is functioning correctly.
- Hermetically sealed compartment made from corrosion-resistant steel enclosing the above components.
- Combination gas safety valve with modulator, complete with pressure stabiliser.
- Flowmeter giving the domestic hot water circuit precedence over the central heating circuit.
- Pressure relief valve for the central heating circuit set to open at 3 bar.
- Built-in Expansion vessel.
- Variable speed pump.
- Central heating flow temperature adjustment thermostat.
- Domestic hot water flow temperature adjustment thermostat.
- Central heating limit thermostat.
- Overheat safety thermostat.
- Electronic control unit for automatic flame ignition and control.
- Central heating low water pressure cut off switch.
- Domestic hot water flow temperature sensor.
- Central heating flow temperature sensor.

### 1.02 Instructions and regulations

Assembly, installation, first start up and maintenance must be carried out by competent persons only, in accordance with all current technical regulations and directives.

### C.O.S.H.H.

Materials used in the manufacture of this appliance are non hazardous and no special precautions are required when servicing.

### Related Documents

**This appliance must be installed strictly in accordance with these instructions.**

The Gas Safety Regulations (Installations & Use) 1996.

The Local Building Regulations.

The Building Regulations.

The Buildings Standards (Scotland - Consolidated) Regulations.

British Standards Codes of Practice:

B.S.	7593	1992	TREATMENT OF WATER IN DOMESTIC HOT WATER CENTRAL HEATING SYSTEMS
B.S.	5546	1990	INSTALLATION OF HOT WATER SUPPLIES FOR DOMESTIC PURPOSES
B.S.	5440	Part 1 2000	FLUES
B.S.	5440	Part 2 1989	AIR SUPPLY
B.S.	5449	1990	FORCED CIRCULATION HOT WATER SYSTEMS
B.S.	6798	1987	INSTALLATION OF GAS FIRED HOT WATER BOILERS
B.S.	6891	1989	GAS INSTALLATIONS
B.S.	7671	1992	IEE WIRING REGULATIONS
B.S.	4814	1990	SPECIFICATION FOR EXPANSION VESSELS
B.S.	5482	1994	INSTALLATION OF LPG

Model Water Bye Laws

For Northern Ireland the rules in force apply

## 2. TECHNICAL AND DIMENSIONAL CHARACTERISTICS

### 2.01 Technical information

**Domina N 80 DGT** boilers are central heating and domestic hot water heat generators and are produced as standard to function with natural gas or Liquid Petroleum Gas converted appliances.

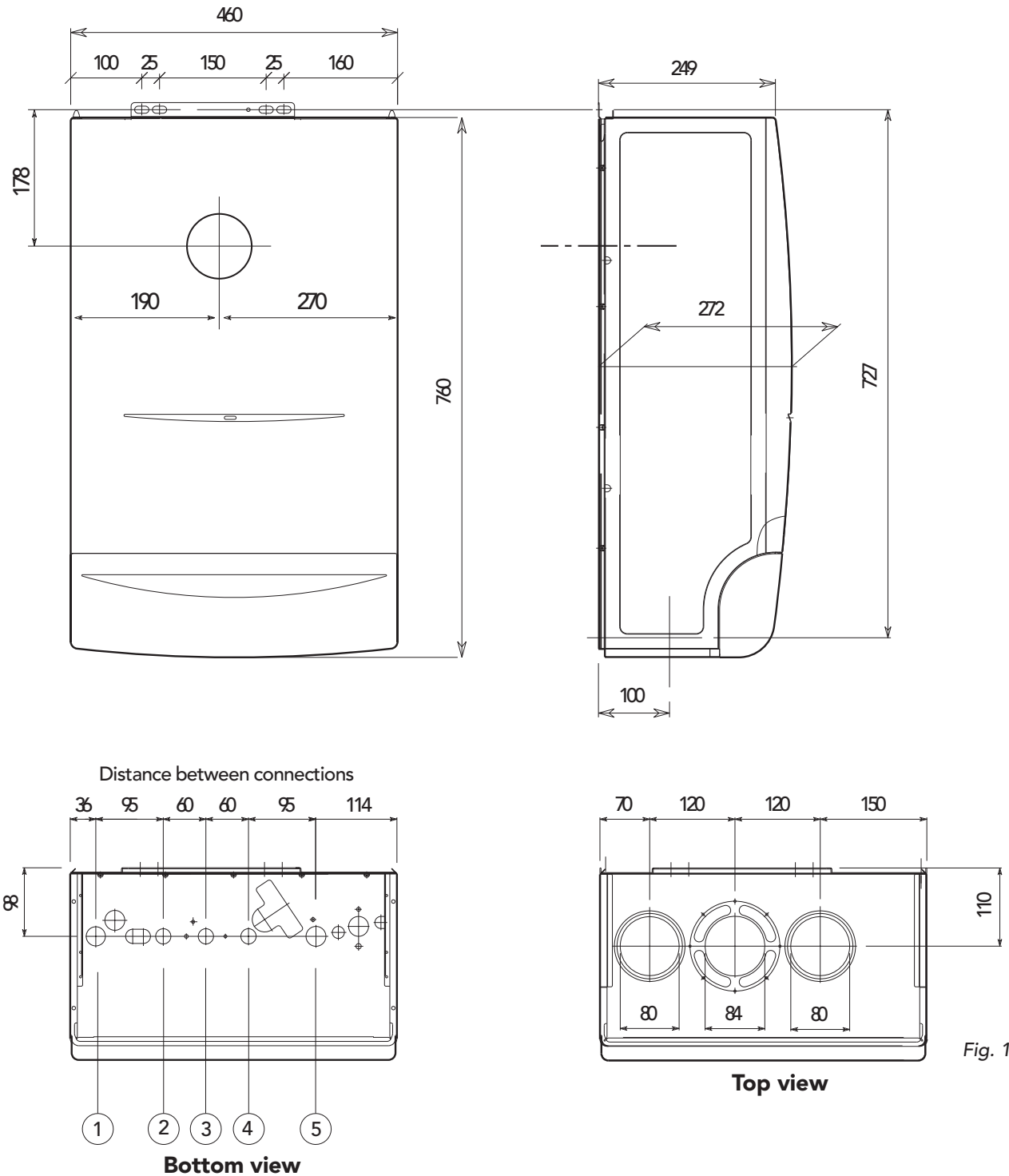


Fig. 1

## Technical Data

MODEL	Heat output		Heat input		Domestic hot water heat input	Boiler water contents	Domestic hot water contents
	kW	kW	kW	kW	kW	Litres	Litres
<b>Domina N 80 DGT</b>	23,8	9,7	25,8	11,5	23,8	1,5	0,8

MODEL	Connections					Expansion vessel		Max. working pressure central heating circuit	Max. working pressure hot water circuit
	1	2	3	4	5	Capacity	Pre-pressurising value		
	Ø	Ø	Ø	Ø	Ø	Litres	bar		
<b>Domina N 80 DGT</b>	3/4"	1/2"	1/2"	1/2"	3/4"	7	1	3	6

MODEL	Main injectors (mm)		Gas flow rates to main burners for central heating		Gas valve Ø1/2
	G20 - NG	G31 -LPG	G20 - NG	G31 -LPG	
	Ø	Ø	m³/h	kg/h	
<b>Domina N 80 DGT</b>	12x1,30	12x0,77	2,73	2,00	H. V K4105G

MODEL	Gas supply pressures working		Gas pressure at main burner for central heating				Safety valve
	G20	G31	G20		G31		
			min.	m	min.	m	
	mbar	mbar	mbar	mbar	mbar	mbar	
<b>Domina N 80 DGT</b>	20	37	2,5	11,8	7,8	36,0	

MODEL	Domestic hot water production with Δt 30 °C	Domestic hot water production with Δt 35 °C	Max. working pressure domestic hot water		Protection level	Weight
	l/min.	l/min.	G20	G31		
			mbar	mbar		mbar
<b>Domina N 80 DGT</b>	11,3	9,7	11,8	36,0	IP44	38

N.B. - The gas pressures at the burner and gas flows during the central heating phase given in the table refer to nominal boiler output. To reduce this output (where necessary), gas pressure must be reduced until the required output level is reached (see figures 4 and 5).

During domestic hot water production, gas pressures to the burner must correspond to the maximum output given in table for the type of gas.

Gas pressure must be adjusted during maximum draw-off of domestic hot water.

- Maximum working temperature for central heating flow: 85°C
- Maximum temperature of domestic hot water: 55°C, adjustable between 40°C and 55°C.
- Minimum domestic cold water pressure required for 95% heat input:
  - Flow restrictor fitted (standard) - 1,2 bar;
  - Flow restrictor removed - 0,5 bar

## 2.02 Boiler main components

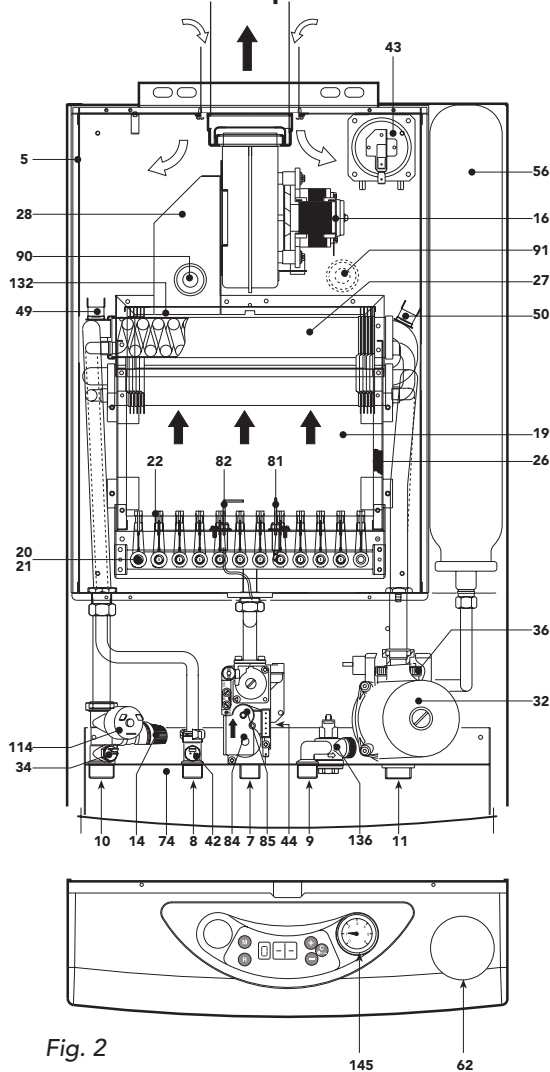


Fig. 2

### Key

- 5** Room sealed compartment
- 7** Gas inlet
- 8** Domestic hot water outlet
- 9** Domestic hot water inlet
- 10** Central heating flow outlet
- 11** Central heating return inlet
- 14** Safety valve
- 16** Fan
- 19** Combustion chamber
- 20** Burner assembly
- 21** Main injector
- 22** Burner
- 26** Combustion chamber insulation
- 27** Copper heat exchanger for central heating and domestic hot water
- 28** Flue collector from heat exchanger
- 32** Central heating pump
- 34** Central heating flow temperature sensor
- 36** Automatic air vent valve
- 42** Domestic hot water flow temperature sensor

## 2.03 Boiler water flow diagram

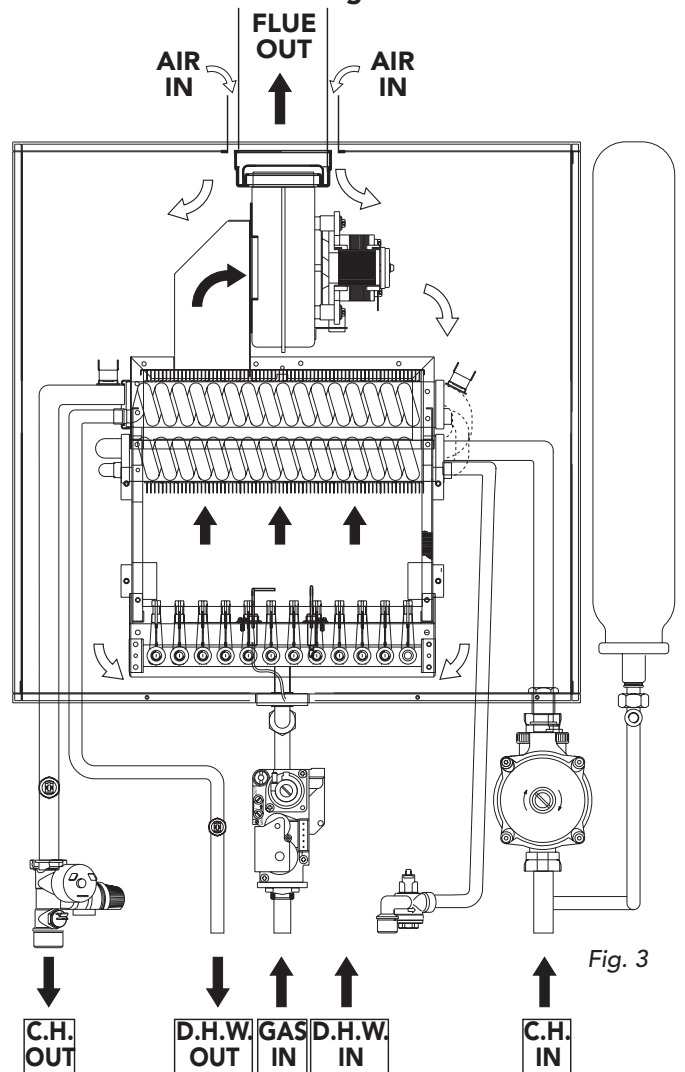


Fig. 3

- 43** Air pressure switch
- 44** Gas valve
- 49** Safety overheat thermostat
- 50** Central heating flow limit thermostat
- 56** Expansion vessel
- 62** Time clock (option)
- 81** Ignition electrode
- 82** Sensor electrode
- 84** Primary gas valve solenoid
- 85** Secondary gas valve solenoid
- 90\*** Flue sampling point
- 91\*** Air sampling point
- 98** On/Off/Reset switch
- 114** Low water pressure cut off switch
- 132** Flue gas deflector
- 136** Flow meter
- 145** Central heating pressure gauge

\* For use with flue gas analysis equipment

## 2.04 Central heating adjustment (not normally required)

To adjust boiler heat input (thus also regulating heat output to the central heating water) simply adjust the main burner via the electronic control board (fig. 4 and 5 and see paragraph 5.04 page 29).

The diagrams indicate the variation in heat output to the water as burner working pressure is varied.

Adjusting boiler output to the actual requirements of the central heating system will minimise boiler cycling thus saving fuel, varying the output has virtually no effect on the efficiency and combustion characteristics of the boiler.

### Diagram of pressures and outputs with Natural gas

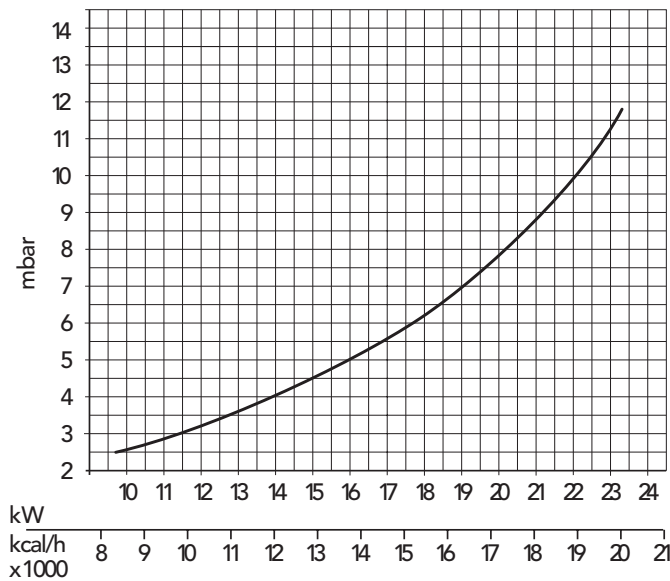


Fig. 4

### Diagram of pressures and outputs with LPG (Propane)

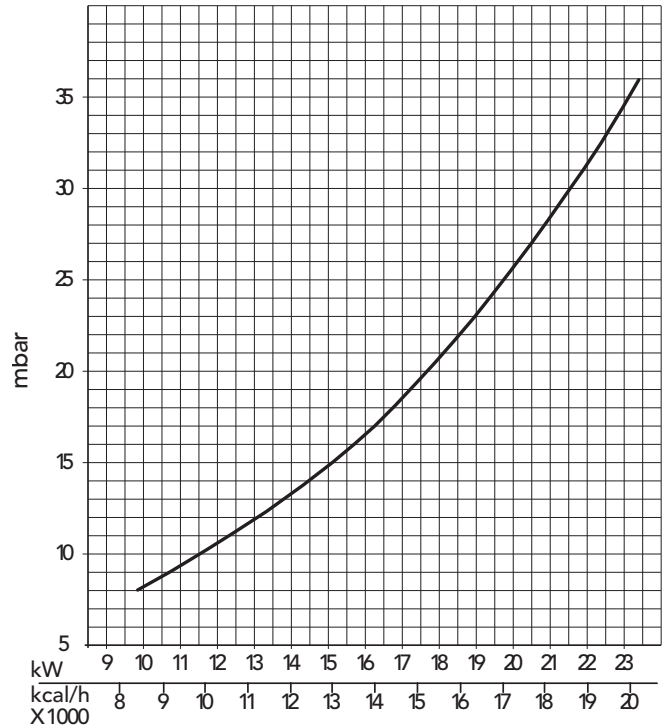


Fig. 5

## 2.05 Domestic hot water variability characteristics

The temperature of the domestic hot water can be varied from 40 to 55°C by adjusting the boiler potentiometer.

### Diagram of domestic hot water production

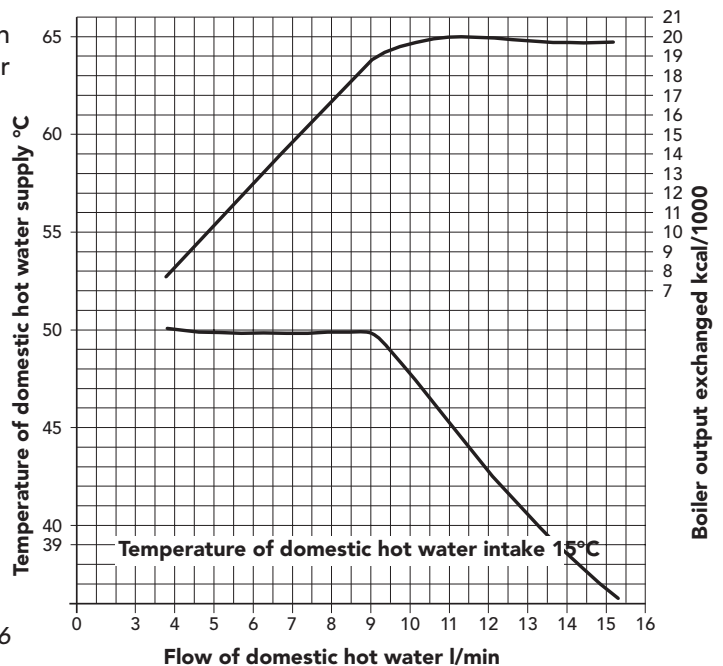


Fig. 6

## 2.06 Pump characteristics

The pump head available for circulating the water is given in fig. 7.

**N.B.** - The pump is factory set at position 3. The pump is a Grundfos type 15-50 UPS series.

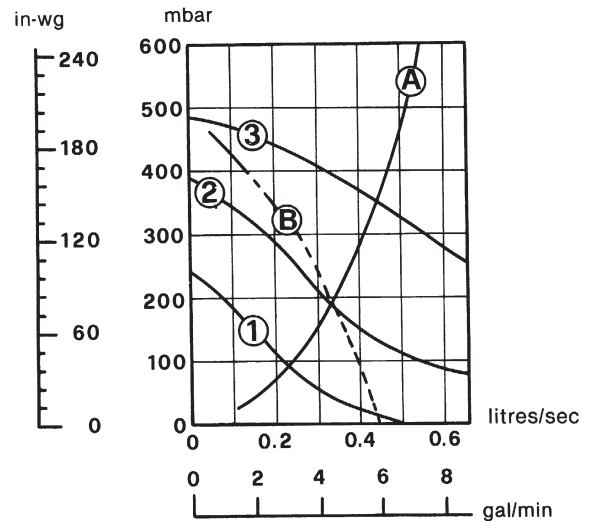
### Grundfos Pump performance graph

**Note** - Minimum flow through boiler heat exchanger at any time should not fall below 6 litres per minute.

If the total volume of water in the system exceeds 40 litres an additional expansion vessel must be fitted to the central heating return pipe.

- 1 2 3 Speed settings
- A Boilers pressure drop
- B Available pump head C.H.

Fig. 7



### SIZING OF ADDITIONAL EXPANSION VESSELS:

Deduct from the value given in the table the 8 litre vessel supplied.

**Note:**

1. Fill C.H. installation to min. 1.5 bar.
2. Expansion vessel must be fitted to central heating return pipe.
3. The standard 7 litre expansion vessel is charged to 1 bar.
4. The additional expansion vessel should be charged to 1 bar.

SAFETY VALVE SETTING (bar)	3.0					
	0.5		1.0		1.5	
VESSEL CHARGE PRESSURE (bar)						
INITIAL SYSTEM PRESSURE (bar)	1.0	1.5	2.0	1.5	2.0	2.0
TOTAL WATER CONTENT of SYSTEM	EXPANSION VESSEL VOLUME (litres)					
LITRES						
25	3.5	6.5	13.7	4.7	10.3	8.3
50	7.0	12.9	27.5	9.5	20.6	16.5
75	10.5	19.4	41.3	14.2	30.9	24.8
100	14.0	25.9	55.1	19.0	41.2	33.1
125	17.5	32.4	68.9	23.7	51.5	41.3
150	21.0	38.8	82.6	28.5	61.8	49.6
175	24.5	45.3	96.4	33.2	72.1	57.9
200	28.0	51.8	110.2	38.0	82.4	66.2
<small>For syst. volumes other than those given above, mult. the syst. volume by the factor across</small>	0.140	0.259	0.551	0.190	0.412	0.33

### Pressure loss diagram

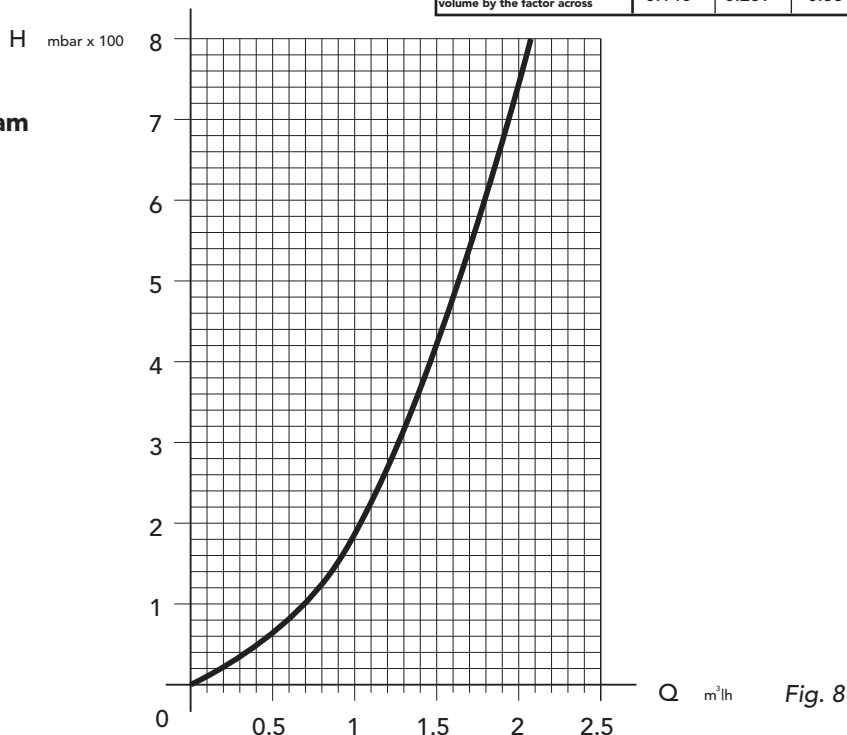


Fig. 8



---

## 3. INSTALLATION DETAILS

---

### Gas Safety (Installation & Use) Regulations: 1996

In the interest of safety, **it is the law** that all gas appliances are installed by a competent person in accordance with the above Regulations, Building Regulations/Building Standards Scotland, Codes of Practice, current I.E.E. Regulations and the byelaws of the Local Water Undertaking. **Failure to comply with the Regulations may lead to prosecution; it is your responsibility to ensure that the law is complied with.**

**N.B.** For Northern Ireland the rules in force apply.

**Important** - If the boiler is to be fitted in a timber framed building it should be fitted in accordance with the Institute of Gas Engineers document IGE/UP/7. If in doubt advice should be sought from the Local Supplier.

### Location of Boiler

The installation of the Domina N 80 DGT must be on a suitable non-combustible load bearing wall which will provide an adequate fixing for the boiler mounting bracket assembly. The location should be in an area where the water pipes will not be subjected to frost conditions. In siting the combination boiler the following limitations **must** be observed:

The combination boiler may be installed in any room or internal space, although particular attention is drawn to the requirements of the current I.E.E. wiring regulations and in Scotland the electrical provisions of the building regulations applicable in Scotland, with respect to the installation of the combination boiler in a room or internal space containing a bath or shower.

Where a room sealed appliance is installed in a room containing a bath or shower any electrical switch or appliance control utilising mains electricity must be situated so that it cannot be touched by a person using the bath or shower.

### Air Supply

The room or compartment in which the boiler is installed does not require a purpose provided vent when using the standard concentric flue.

### Flue System

The boiler allows the flue outlet to be taken from the rear of the boiler, from either side or vertically. A standard flue length of 0.75 metres is provided. Alternative lengths of two or three metres can be supplied (equivalent to wall thicknesses of up to 565, 1815 and 2815mm for rear flues, deduct 91mm plus distance from side wall for side outlet flues). It is absolutely **essential, to ensure that products of combustion discharging from the terminal cannot re-enter the building, or enter any adjacent building, through ventilations, windows, doors, natural air infiltration or forced ventilation/air conditioning.**

### Gas Supply

If necessary the local Gas supplier should be consulted, at the installation planning stage, in order to establish the availability of an adequate supply of gas.

An existing service pipe must **not** be used without prior consultation with the Local Gas supplier.

A gas meter can only be connected by the Local Gas supplier, or by a Local Gas suppliers Contractor.

Installation pipes should be fitted in accordance with BS6891-1988.

Appliance inlet working pressure must be 20mbar MINIMUM, for NG and 37 mbar minimum for LPG.

Pipework from the meter to the combination boiler must be of an adequate size.

The boiler requires 2.73m<sup>3</sup>/h of natural gas, and 2,00 kg/h of LPG.

Do not use pipes of a smaller size than the combination boiler inlet gas connection.

The complete installation must be tested for gas soundness and purged as described in BS6981-1988. All pipework must be adequately supported. An isolating gas valve is provided and should be fitted on the boiler gas inlet. Please wait 10 minutes when lighting from cold before checking gas rate. **Gas pressures should be checked after the boiler has operated for 10 minutes to reach thermal equilibrium.**

### Water System

**Note - the boiler is designed for sealed systems only and must NOT be used on open vented systems.**

## Central Heating

Detailed recommendations are given in BS6798, BS5449, BS6700 and CP342 Part 2. Pipework not forming part of the useful heating surface should be insulated to prevent any heat losses or possible freezing (i.e. in roof spaces or ventilated underfloor spaces). Drain taps should be positioned at the lowest point of the system in accessible locations to permit the whole system to be drained down. The drain taps should be in accordance with BS2879. Copper tubing to BS2871, Part 1 is recommended for water carrying pipework. Pipework in horizontal runs should have a gradient where possible to facilitate the removal of air. Ensure that the boiler heat exchanger is not a natural point for air collection. A typical heating system with domestic hot water circuit is illustrated in fig. 9.

**Important** - If thermostatic radiator valves are fitted a **bypass must be fitted to ensure a minimum flow rate through the boiler of 6 l/min.** The bypass should be fitted as far as possible from the boiler.

## Make Up Water

Provision must be made for replacing water lost from the sealed system. Reference should be made to BS6798, for methods of filling and making up sealed systems. There must be no direct connection between the boiler's central heating system and the mains water supply. The use of mains water to charge and pressurise the system directly, is conditional upon the Local Water Byelaws. Again any such connection must be disconnected after use. A typical temporary filling loop is shown in fig. 10.

## Domestic Hot Water

Always fit a scale reducer in "hard water areas" (18 clarke degrees or over)". A 15mm copper connection point on the boiler for attaching to the main supply is provided. The maximum domestic water pressure for the inlet supply is 10 bar (145 P.S.I.). **If the cold mains supply exceeds 5 bar (72 P.S.I.), a water governor or pressure reducing valve must be fitted** by the installer into the mains supply in an inconspicuous but accessible position preferable between 3 and 5 metres (10-16ft) before the appliance. Such a valve must be approved by the Water Research Council.

**Attention** - is drawn to the Model Water Byelaws.

Fittings manufactured from duplex (alpha-beta) brass are not acceptable for underground use and certain water undertakings will not accept their use above ground.

Ensure all pipework is adequately supported

**NOTE:** A bypass that will ensure a minimum flow rate of 6 l/min. at all all time must be fitted as far as possible from the boiler if thermostatic radiator valves are fitted throughout.

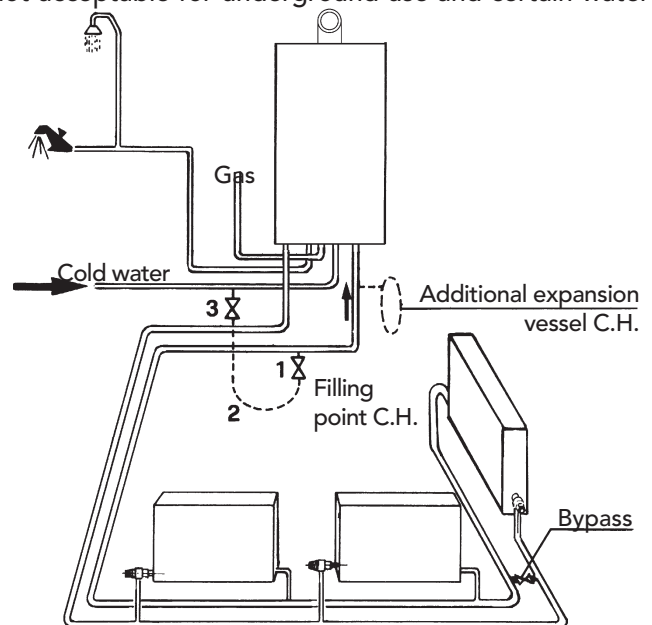


Fig. 9

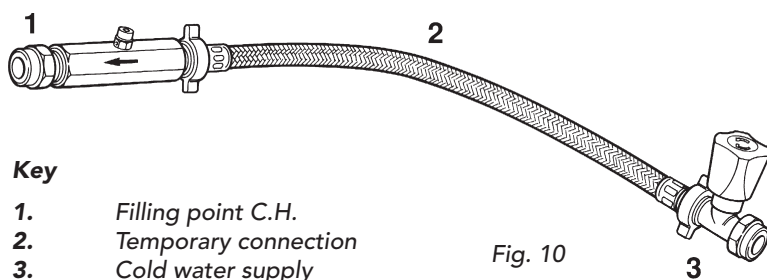


Fig. 10

### Key

- 1. Filling point C.H.
- 2. Temporary connection
- 3. Cold water supply

## CLEARANCES:

\* 600mm minimum clearance for servicing access

Top clearance only applies to 100Ø concentric flue system

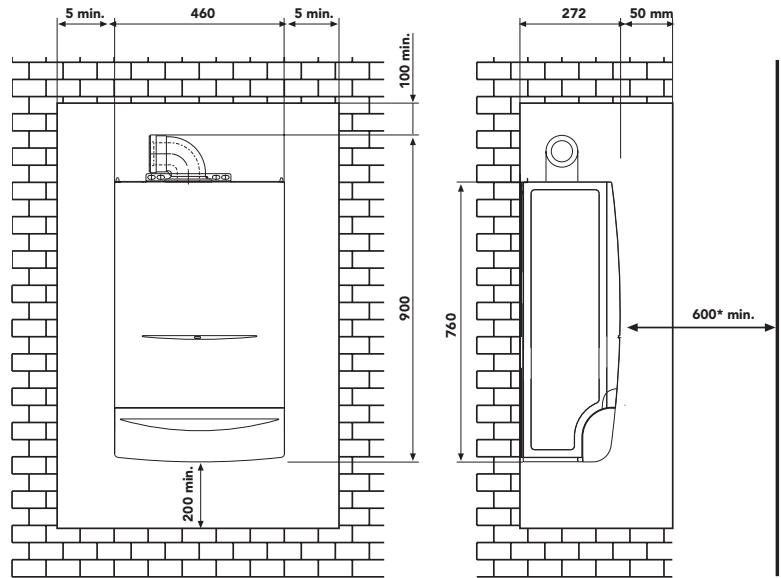


Fig. 11

## Terminal Position

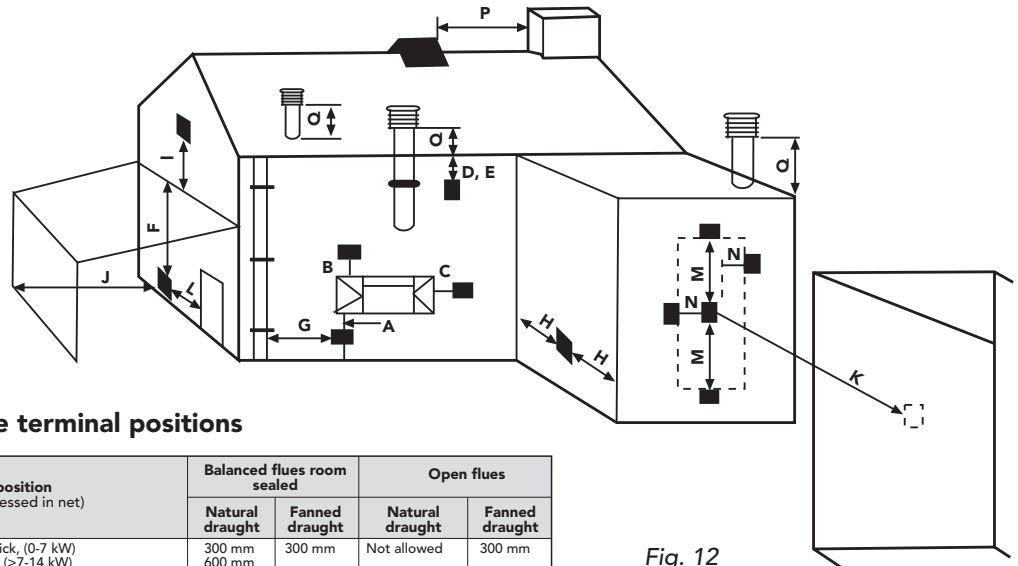


Fig. 12

## Minimum dimensions of flue terminal positions

Dimensions	Terminal position (kW input expressed in net)	Balanced flues room sealed		Open flues	
		Natural draught	Fanned draught	Natural draught	Fanned draught
A <sup>a</sup>	Directly below an opening, air brick, (0-7 kW) opening windows, etc. (>14-32 kW) (>7-14 kW) (>32-70 kW)	300 mm 600 mm 1500 mm 2000 mm	300 mm	Not allowed	300 mm
B <sup>a</sup>	Above an opening, air brick, (0-7 kW) opening windows, etc. (>14-32 kW) (>7-14 kW) (>32-70 kW)	300 mm 300 mm 300 mm 600 mm	300 mm	Not allowed	300 mm
C <sup>a</sup>	Horizontally to an opening, air brick, (0-7 kW) opening windows, etc. (>14-32 kW) (>7-14 kW) (>32-70 kW)	300 mm 400 mm 600 mm 600 mm	300 mm	Not allowed	300 mm
D	Below gutters, soil pipes or drain pipes	300 mm	75 mm	Not allowed	75 mm
E	Below eaves	300 mm	200 mm	Not allowed	200 mm
F	Below balconies or car port roof	600 mm	200 mm	Not allowed	200 mm
G	From a vertical drain pipe or soil pipe	300 mm	150 mm <sup>b</sup>	Not allowed	150 mm
H	From an internal or external corner	600 mm	300 mm	Not allowed	200 mm
I	Above ground roof or balcony level	300 mm	300 mm	Not allowed	300 mm
J	From a surface facing the terminal (also see 6.1.2)	600 mm	600 mm	N/A	600 mm
K	From a terminal facing the terminal	600 mm	1200 mm	N/A	1200 mm
L	From an opening in the car port (e.g. door, window) into the dwelling	1200 mm	1200 mm	N/A	1200 mm
M	Vertically from a terminal on the same wall	1500 mm	1500 mm	N/A	1500 mm
N	Horizontally from a terminal on the same wall	300 mm	300 mm	N/A	300 mm
O	From the wall on which the terminal is mounted	N/A	N/A	N/A	50 mm
P	From a vertical structure on the roof	N/A	N/A	See Table 2 and Fig. 6b	N/A
Q	Above intersection with roof	N/A	N/A	See Table 2 and Fig. 4	150 mm

**NOTE N/A = Not applicable**

<sup>a</sup> In addition, the terminal should not be nearer than 150 mm (fanned draught) or 300 mm (natural draught) to an opening in the building fabric formed for the purpose of accommodating a built-in element such as a window frame, (see Figure C2). Separation distances are linked to the rated heat inputs as shown.

<sup>b</sup> This dimension may be reduced to 75 mm for appliances of up to 5 kW heat input.

3.01 Boiler Mounting Plate

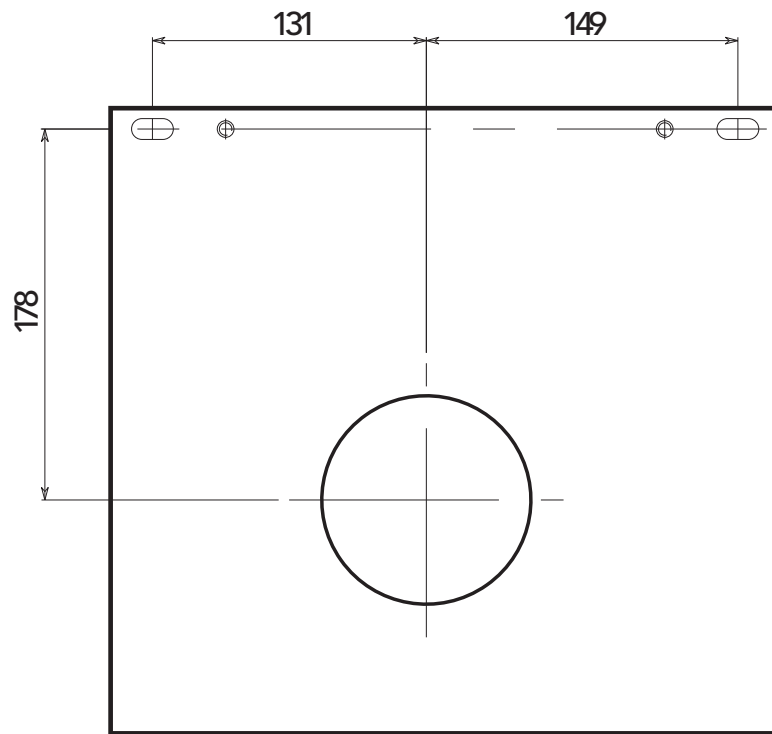


Fig. 13



**3.02 Drilling Template (Standard Rear Flue Application)**

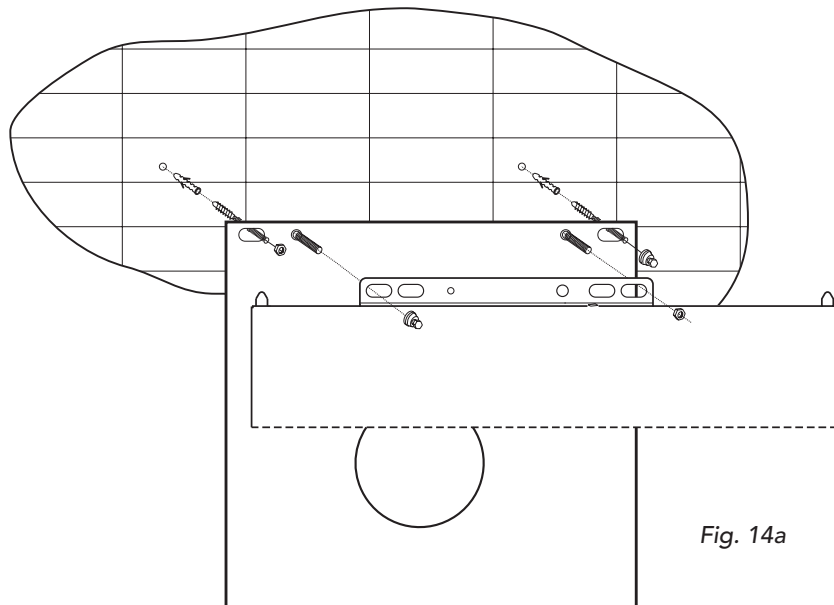


Fig. 14a

Select suitable mounting position for boiler, using the template mark flue outlet and boiler mounting points. Drill two 10mm holes 90mm deep to accept the wall plugs, fit wall plugs. Fit two special wall plugs on the wall as described in the fig. 14a. Fasten the wall bracket to the wall using an antitheft nut on the right side and a standard nut (M8) on the left side. Mount the boiler on the wall bracket and fix using an antitheft nut on the left side and a standard nut (M8) on the right side. Using a core drill cut a 118mm diameter hole for the flue.

1. CH flow
2. Safety Valve
3. Domestic hot water outlet
4. Gas supply
5. Domestic hot water inlet
6. CH return

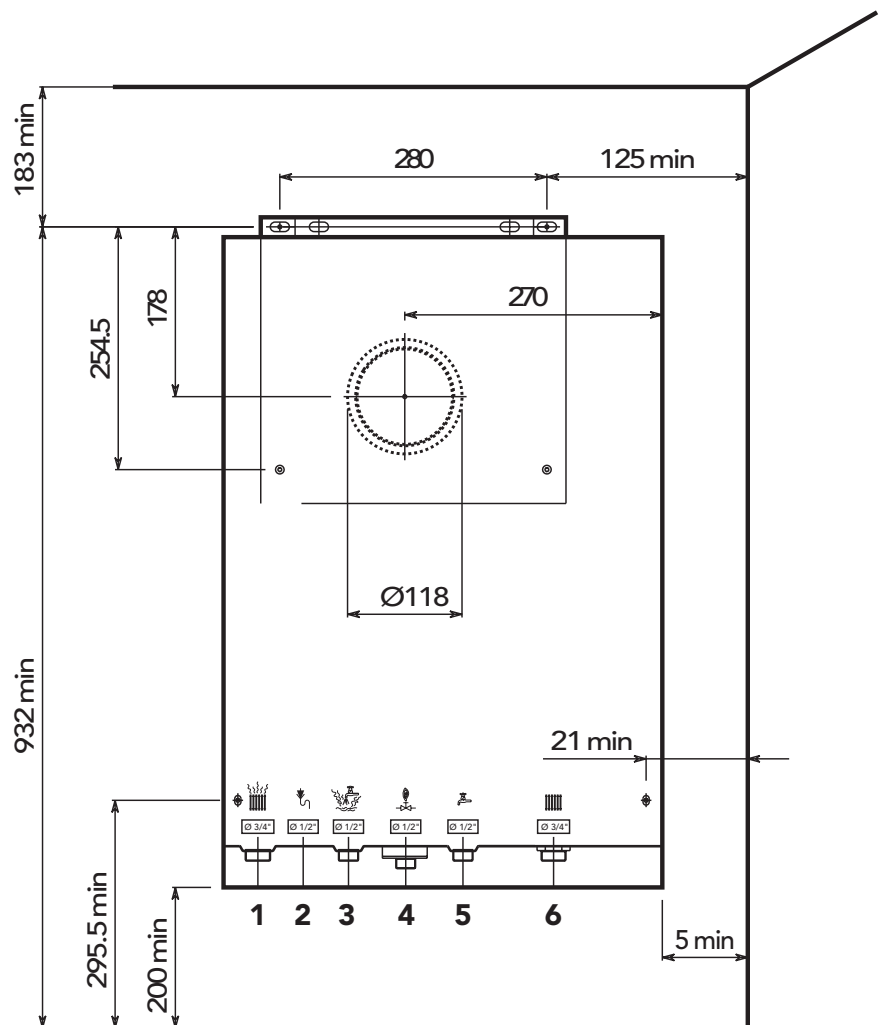


Fig. 14b

### 3.03 Drilling Template (Top Flue Application)

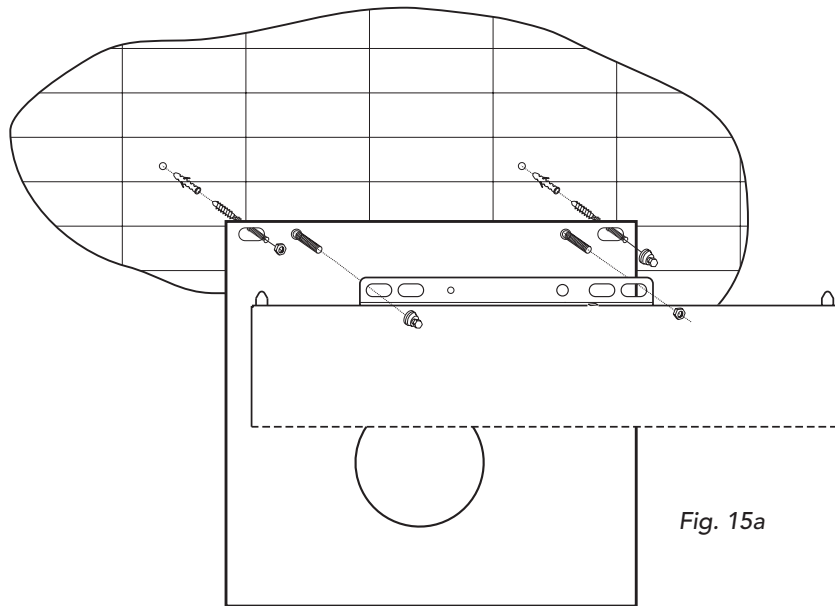
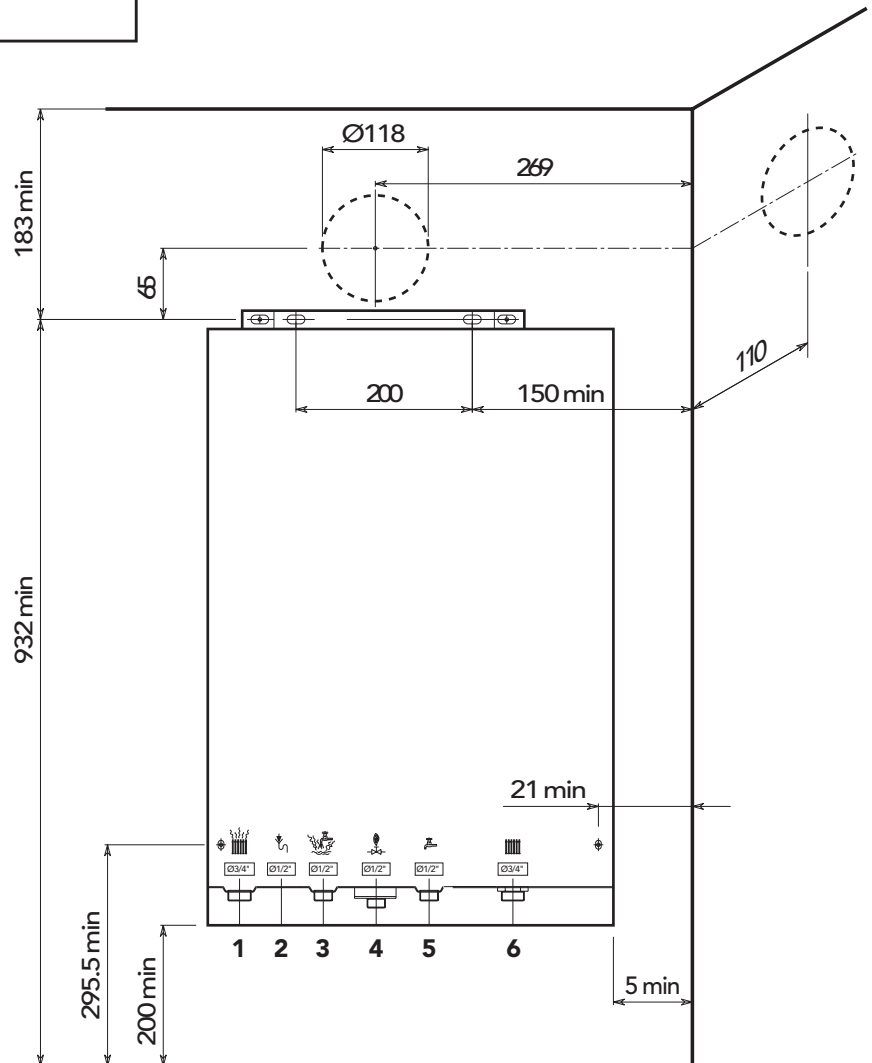


Fig. 15a

Select suitable mounting position for boiler, using the template mark flue outlet and boiler mounting points. Drill two 10mm holes 90mm deep to accept the wall plugs, fit wall plugs. Fit two special wall plugs on the wall as described in the fig. 14a. Fasten the wall bracket to the wall using an antitheft nut on the right side and a standard nut (M8) on the left side. Mount the boiler on the wall bracket and fix using an antitheft nut on the left side and a standard nut (M8) on the right side. Using a core drill cut a 118mm diameter hole for the flue.



1. CH flow
2. Safety Valve
3. Domestic hot water outlet
4. Gas supply
5. Domestic hot water inlet
6. CH return

Fig. 15b

**3.04 Back flue outlet (Diagram 1-9)**

**1. Core drill 127mm hole (5").**

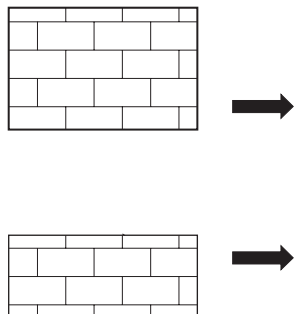


Fig. 16a

**2. Push through the outer flue.**

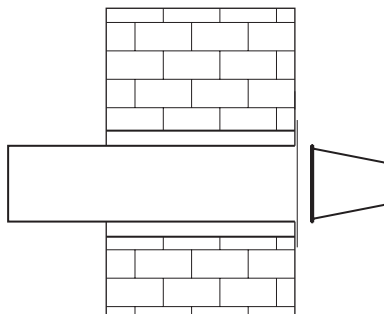


Fig. 16b

**3. Gently pull back until wall seal is flush with the wall.**

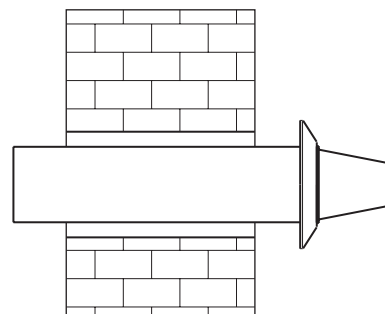


Fig. 16c

**4. Place wall plate on outer flue ensuring it is level. Mark and drill four holes, two top, for expanding bolts and two bottom for plugs and screws. Fix plate to wall with the square gasket between the wall and the plate use the large diameter washers for the bolts and screws.**

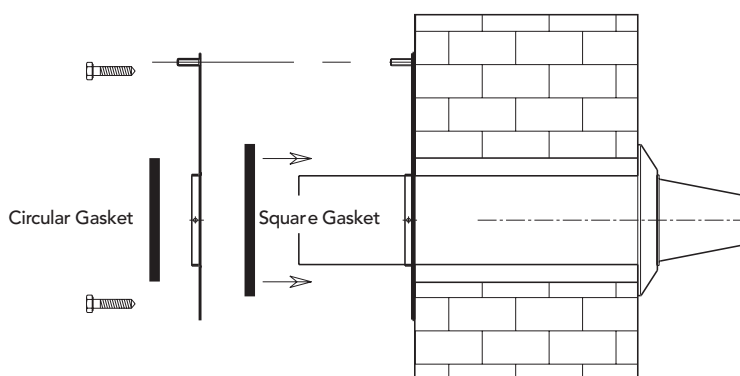


Fig. 16d

**5. Through plate into air tube, drill two holes and fix in place using two self tapping screws M4 x 6mm long.**

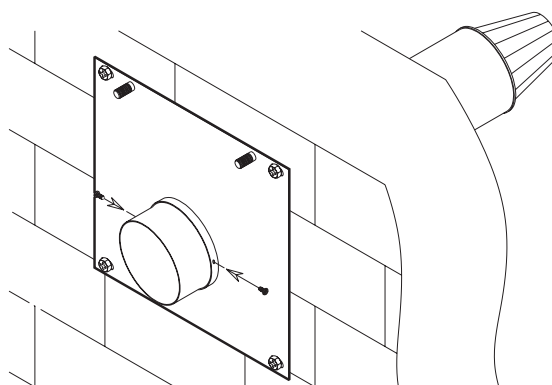


Fig. 16e

**6. Cut the outer flue flush with the flange on the hanging plate.**

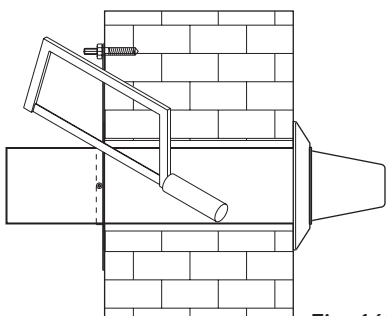


Fig. 16f

**7. Insert the aluminium flue pipe into white plastic outer flue, making sure the aluminium pipe sits fully and centrally into the flue terminal. Mark the aluminium flue pipe at the point it is flush with the mounting plate. Add 36mm to this mark and cut the aluminium inner flue pipe at this point.**

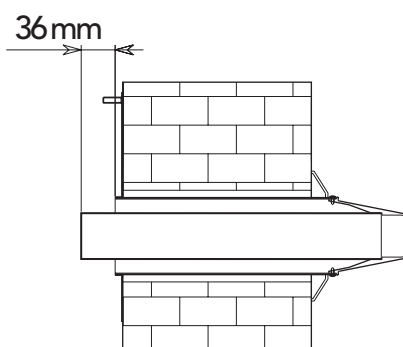


Fig. 16g

8. Install the inner metal flue into the outlet, up to the wallplate flange mark.
9. Lift boiler with flue in place, engage inner and outer flue, slide into position

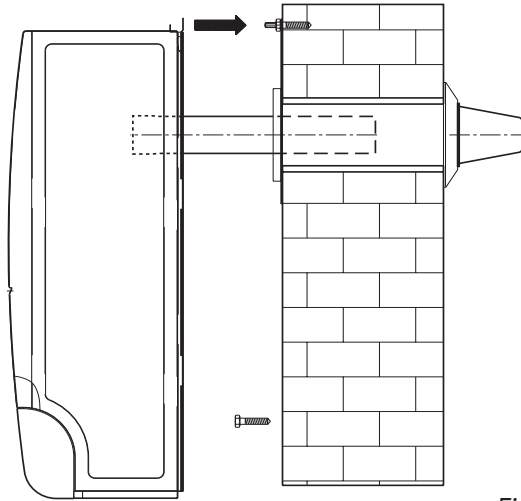


Fig. 16h

9. Make sure the inner flue is fully engaged in the flue terminal, secure boiler with two nuts and washers, secure bottom of boiler using two screws and washers

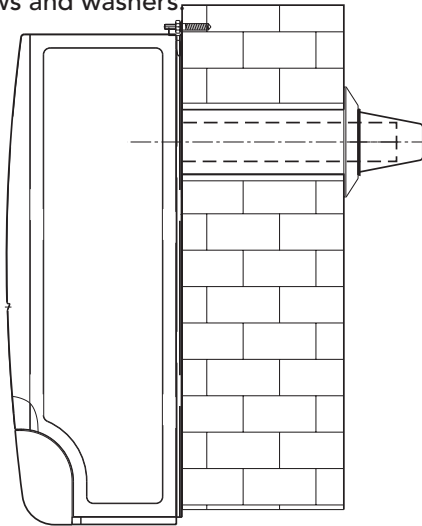


Fig. 16i

### 3.05 Domina top outlet flue conversion

Remove fan by pulling off electrical connections. Pull off air pressure switch tubes from the air pressure switch remove 2 screws b. Rotate the fan upward to disengage it from the securing pin a.

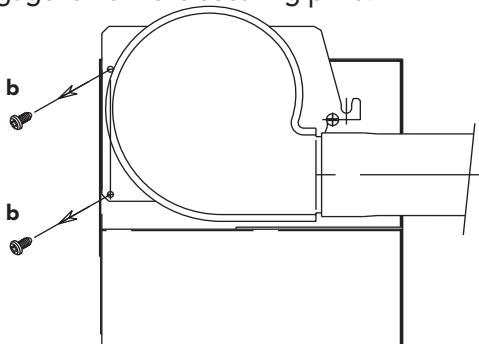


Fig. 17a

Remove the securing screw that locates the fan nozzle extension to the fan and remove the nozzle extension and jointing mastic (this is not required for top outlet flueing).

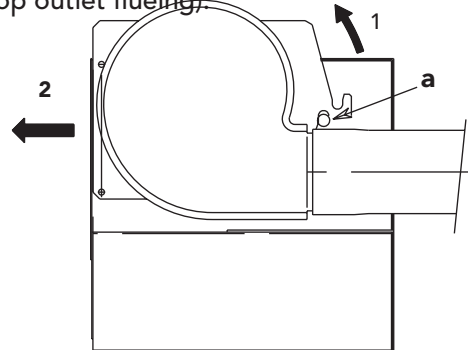


Fig. 17b

Take off the four screws which fix the top sealed the cover and gasket through 90° and fit it to the chamber cover, remove the cover and gasket. Rotate rear of the boiler to cover the original flue outlet. removed previously.

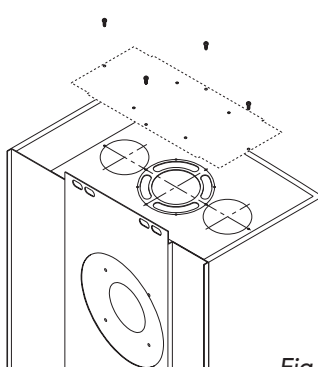


Fig. 17c

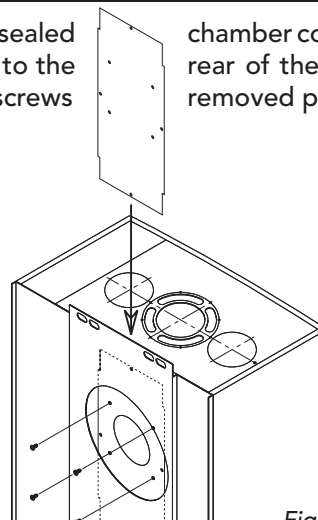


Fig. 17d

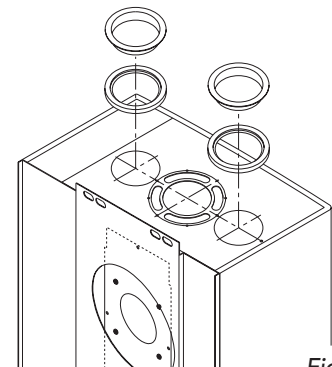


Fig. 17e



Remove fan mounting plate by undoing the three fixing screws c. Rotate the fan through 90° so that the fan nozzle points upward. Secure the fan to the plate in the new position using screws in position d.

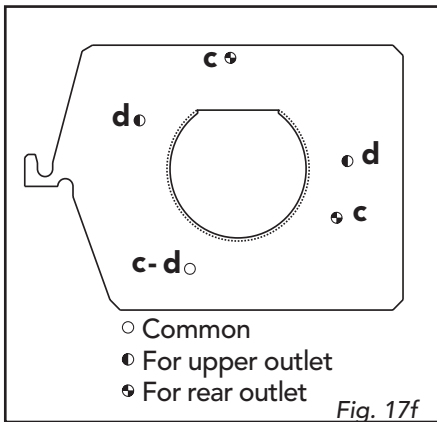


Fig. 17f

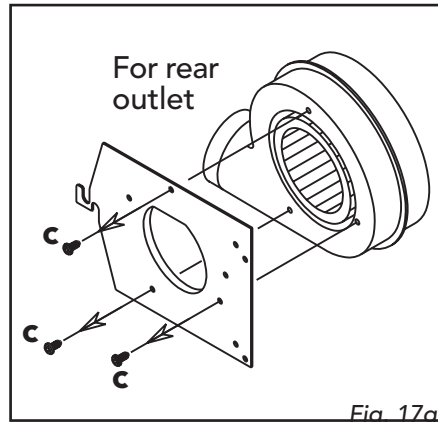


Fig. 17g

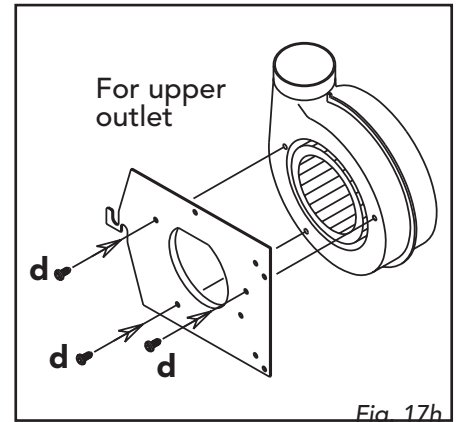


Fig. 17h

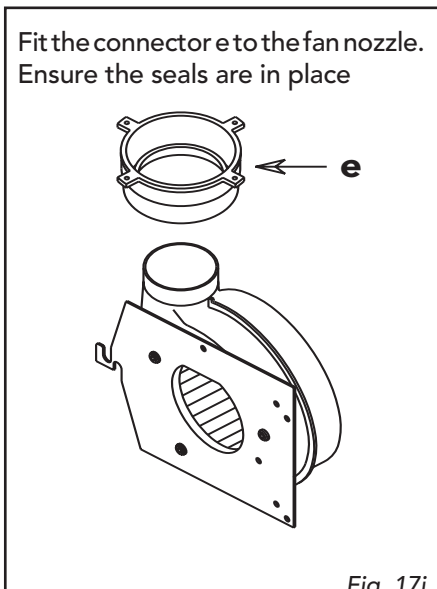


Fig. 17i

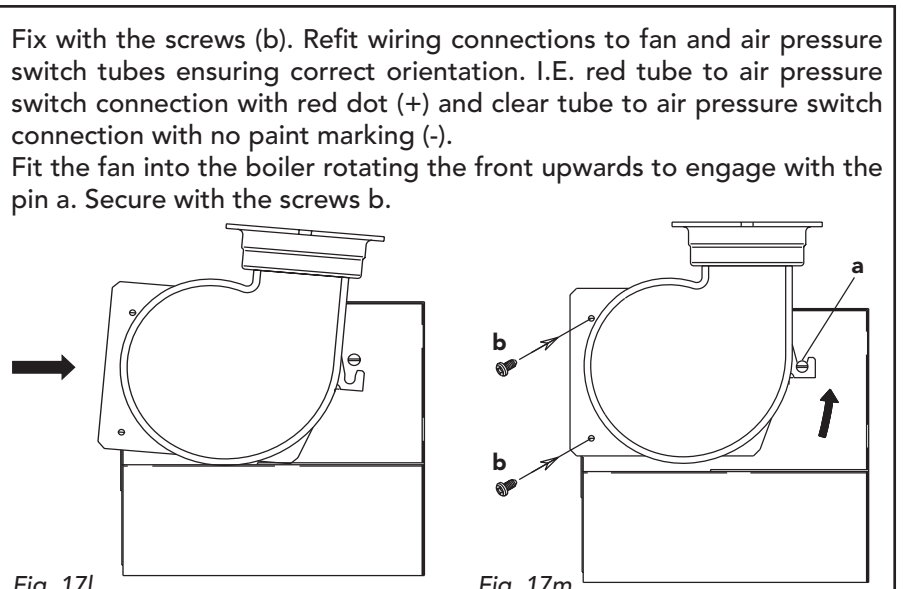


Fig. 17l

Fig. 17m

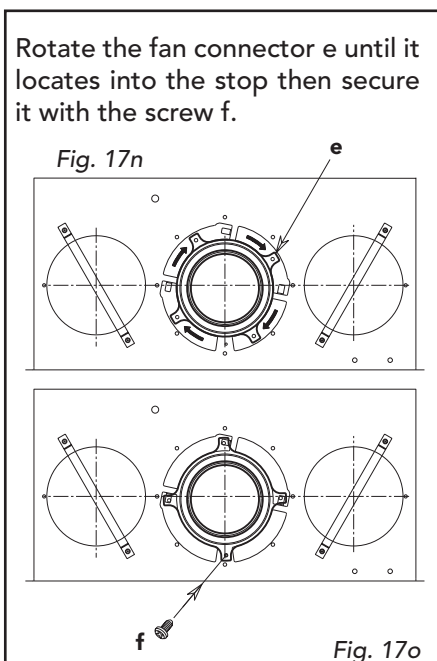


Fig. 17o

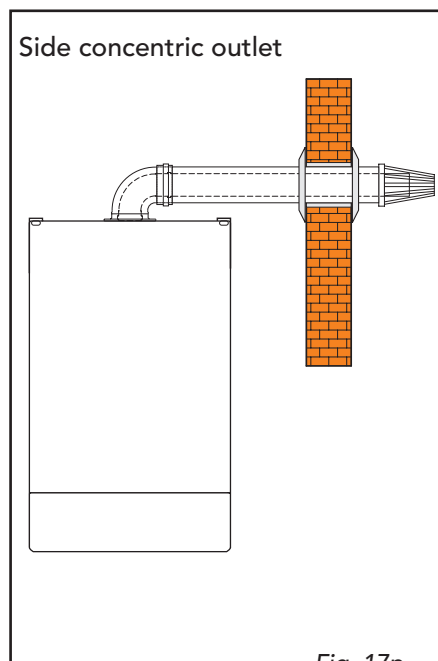


Fig. 17p

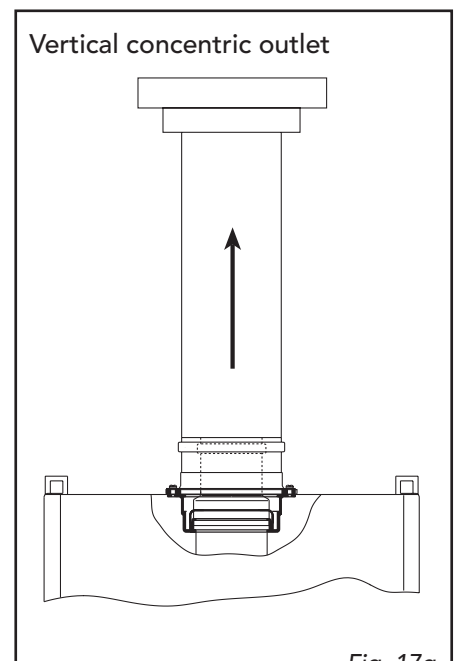


Fig. 17q

### 3.06 Restrictor

For boiler operation, the restrictor supplied with the unit must be mounted following the instructions below. Determine the correct size of flue restrictor required. Before inserting the flue gas duct in the boiler, check that the restrictor fitted is correct and that it is correctly positioned (see fig. 18).

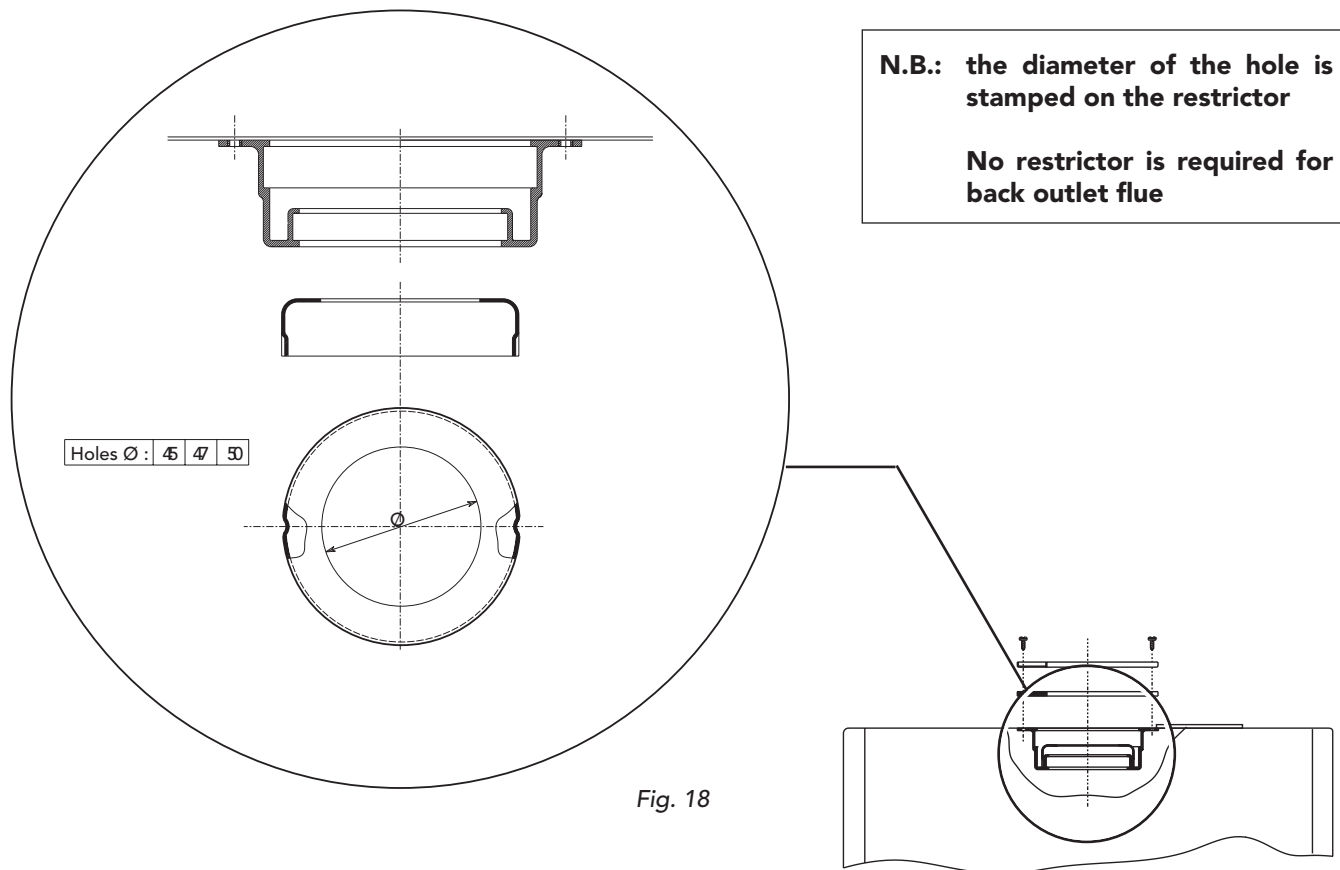


Fig. 18

### CHOICE OF RESTRICTOR:

- With **2 pipe system**:
  - Calculate the total flow resistance of the air and flue pipes in metres (cap. 3.08.2)
  - utilise the table shown below to choose the more suitable restrictor for the flow resistance calculated

#### RESTRICTOR FOR TWO PIPE SYSTEM

Total flow resistance of flue system		Use restrictor size
minimum	maximum	mm
0 m	13 m	45
13 m	23 m	47
23 m	38 m	50
38 m	48 m	No restrictor

- With **concentric systems**:
  - Choose correct restrictor from table below.

#### RESTRICTOR FOR CONCENTRIC SYSTEM

Flue length up to:		Use restrictor size
Concentric 60 / 100	1 bend + 1 meter	50 mm
	1 bend + 3 meters	No restrictor
Concentric 80 / 125	1 bend + 3 meters	45 mm
	1 bend + 4 meters	50 mm
	1 bend + 5 meters	No restrictor

**3.07 Top Outlet Concentric Flue Connection**

**3.07.1 Vertical concentric connection**

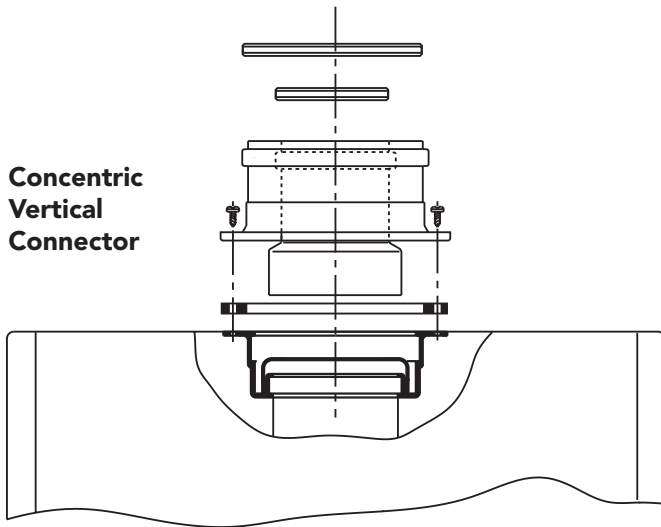


Fig. 19

A vertical connector can be supplied for vertical discharge with concentric pipes.

The simple mounting and use of double lip gaskets at the joints makes this an extremely easy and safe option.

For flue length up to 1 m long the 50 mmØ restrictor is required. Longer than this no restrictor is required.

**3.07.2 Horizontal concentric connection**

A 90° bend (fig. 20) is supplied for the horizontal connection of air and flue gas pipes. This can be oriented towards the chosen wall in degrees of 45°.

$L = S = D = 255$

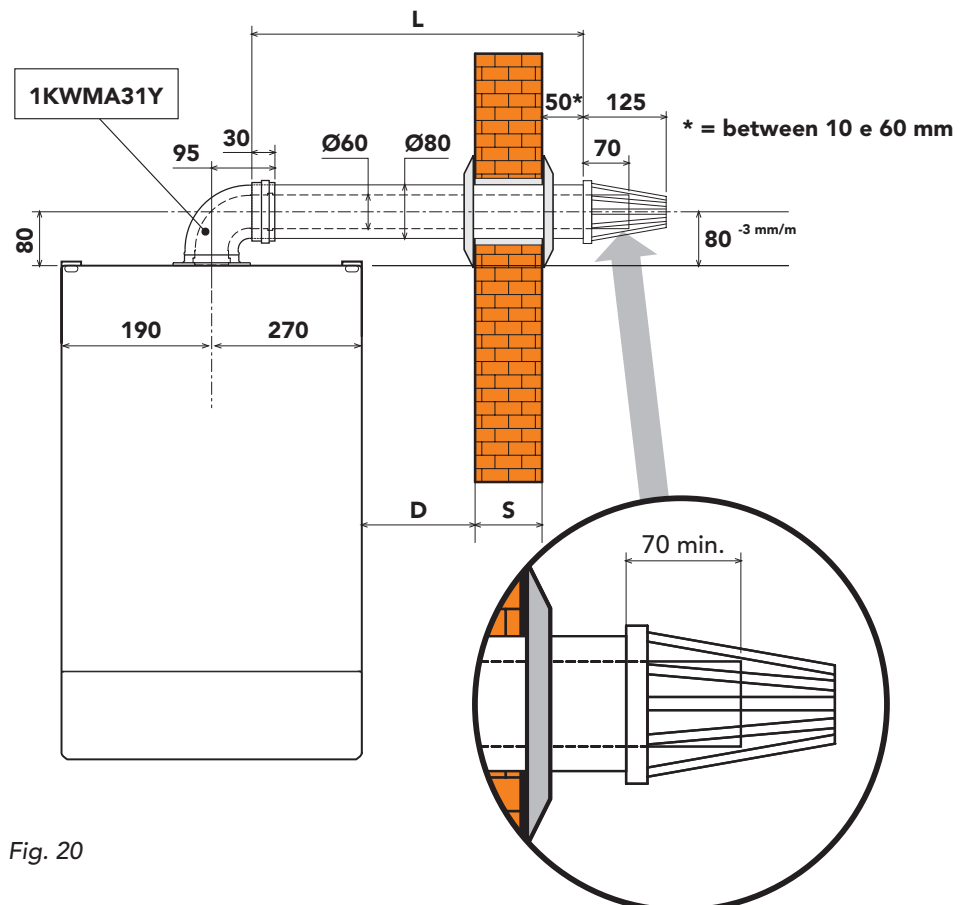


Fig. 20

### Notes on concentric horizontal installation

To locate the centre of the hole for passing the pipes through the wall, refer to fig. 15. Bear in mind that the two concentric pipes must slope downwards away from the boiler at a rate of about 3 mm/m to avoid rainwater entering the boiler. The concentric pipes making up the air - flue gas duct must be sealed with the gasket where they join the boiler (fig. 21). Outside, the pipes should protrude from the wall between 10 and 60 mm (fig. 21).

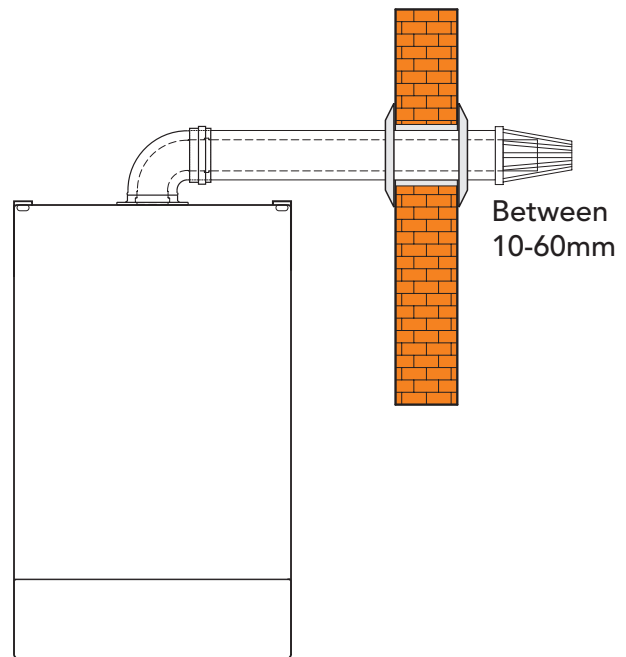


Fig. 21

### 3.07.3 Maximum concentric flue length

First table below shows the maximum flue lengths available for boilers with concentric systems. For correct calculation remember to include the reduction for bends on second table. Please refer to 3.06 for use of restrictor

Maximum flue length permissible	100 mm concentric		125 mm concentric	
	Vertical	Horizontal*	Vertical	Horizontal*
<b>Domina N 80 DGT</b>	4 m	3 m	5 m	5 m

\*For horizontal Flueing the reduction for appliance bend or turret are already included.

Reduction for bend	
100 mm concentric bend 90°	1 m
100 mm concentric bend 45°	0,5 m
125 mm concentric bend 90°	0,5 m
125 mm concentric bend 45°	0,25 m

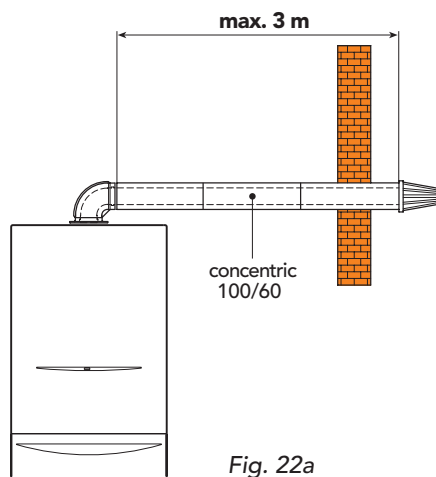


Fig. 22a

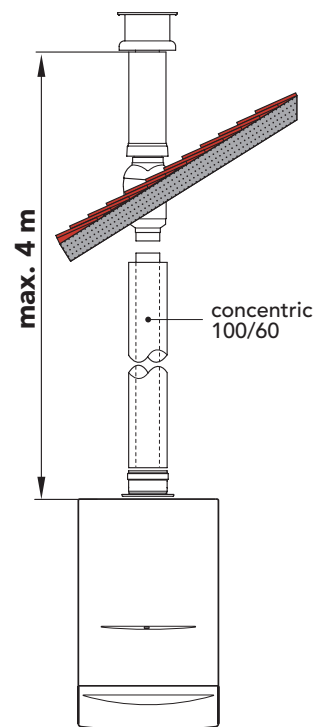
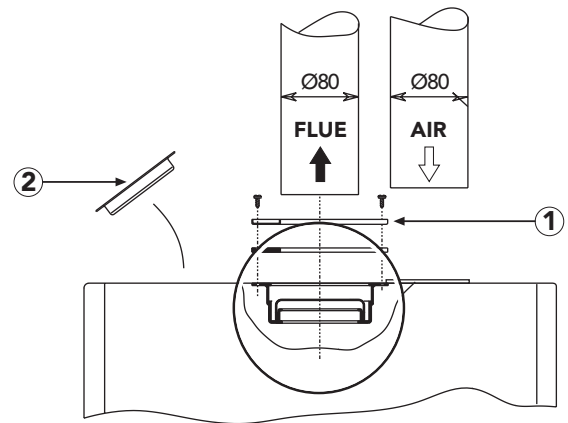


Fig. 22b

## 3.08 Top Outlet: Two Pipe Flue System

### 3.08.1 Two pipe connection

Two separate ducts Ø80 for air intake and flue gas discharge can be directly connected to the boiler. For conversion to top outlet (see 3.05) mount the separate outlet kit (1)



Insert blanking plate (2)  
in remaining air intake

Fig. 23

Connect flue duct to central hole Ø80 and air duct to left or right air intake hole Ø80. Insert blanking plate (2) in remaining air intake.

A varied number of accessories for two pipe systems are available from Ferroli (ref. to page 22). Before installing your system please check via calculation table at 3.08.2 you are not exceeding the maximum permissible length for the appliance.

Notes on two pipe system installation:

When using the two pipe system the flue discharge pipe must have a 25mm air gap when passing through combustible materials.

Where the flue discharge pipe passes through the airing space of an airing cupboard it must be protected by a non combustible guard or expanded metal giving an annular air gap of at least 25mm.

Where the flue discharge pipe passes through a wall containing cavity insulation, a non combustible sleeve must be fitted. Additionally a gap of 25mm between the sleeve and the insulation should be provided by cutting back the insulation or packing loose fill bead insulation with mineral fibre.

Where the flue pipe is run through an unheated roof space it should be insulated with non combustible insulating material to prevent condensation. The flue pipe should be supported at intervals of not more than 1.8m and the support should be preferably below a joint.

### 3.08.2 Two pipe flue system

#### • Calculating maximum permissible flue length.

The calculation method is based on a standard reference parameter (1 metre of horizontal air flue 80 diameter 80) for the maximum length permissible for all the pipes + fittings flow resistance coefficient. In other words, for all components and pipes in the different installation configurations (vertical or horizontal, air or flue, etc.) and for all the fittings, a flow resistance (reduction) equivalent to  $x$  metre of horizontal air induction pipe is indicated. For every boiler model a maximum pipe length is provided, expressed in  $n$  metres of horizontal air pipe. In this way, to calculate the length of a proposed 2 pipe air-flue system, add the flow resistance (reduction) in equivalent metres-air. For every component and fitting present in the system, and to check that the total is less than the maximum length the permissible for the boiler model.

**IMPORTANT: the pipes and fittings flow resistance (reduction) have been summarised on the following pages. The flow resistance values written refer only to Ferroli pipes and fittings.**

#### Calculation routine

- Utilise the pipes and fittings flows resistance tables on the following pages and calculate the total flow resistance in metres-air, by adding the flow resistances of the components in the whole air-flue system, based on their position (vertical or horizontal, air inlet or flue outlet).

Please note that the same fitting, identified by a one code (i.e. 1 pipe diameter 80, code KWMA83A), can offer different flow resistances if positioned as air inlet or flue outlet, if placed vertically or horizontally.

**The flow resistance of the special two pipe flue-air adapters do not have to be included in the calculation as they are already included in the maximum length calculation.**

- For the restrictors, please refer to cap. 3.06 to determinate the correct diaphragm.
- Check that the total flow resistance calculated is less or equal to 48 metre, the maximum permissible for Domina N 80 DGT.

### 3.08.2 (continued)

Tab. 1 - Pipes and fittings reduction table

Description	Reduction			
	Air		Flue	
	Vertical	Horizontal	Vertical	Horizontal
Male-female flue Ø80	1	1	1	2
Females-female bend 45° Ø80	1,2		2,2	
Females-female bend 90° Ø80	1,5		2,5	
Male-female bend 90° Ø80	1,5		2,5	
Pipe fitting M/M/F Ø80 with inspecting plug+trap for condensate drainage system			7	
Condensate flue outlet			3	
Spigot and socket reduction Ø80/100	0			
Airwall terminal products of combustion Ø80			5	
Air terminal of inlet protection Ø80	2			

Description	Reduction			
	Air		Flue	
	Vertical	Horizontal	Vertical	Horizontal
<b>Accessories</b> Outlet flue air inlet for concentric system Ø80				
Pipe fitting for outlet flue Ø80			4	
<b>Ø80</b> Outlet flue air inlet for connection with split end Ø80			12	
<b>Accessories</b> Male-female flue Ø100	0,4	0,4	0,4	0,8
Male-female bend 45° Ø100	0,6		1	
Male-female bend 90° Ø100	0,8		1,3	
<b>Ø100</b> Air wall terminal products of combustion Ø100			3	
Air terminal of outlet protection Ø100	1,5			
Spigot and socket reduction Ø80/100	1,5		3	

For further accessories please refer to:  
**"Flue system manual for room sealed boiler"**

Example of calculation for wall inlet/outlet  
 with 2 pipe system  
 maximum total flue length: 48 metres

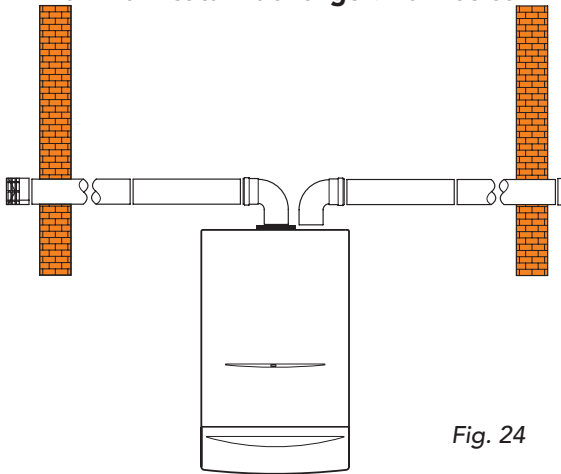


Fig. 24

**Attention:** Resistance of flue restrictor (if req.) is included (see table on page 18)  
 Remove the flue restrictor.  
 The flue and air pipes must have an inclination downward equal to 3% from boiler to outside.

REF.	N° OF PIECES	DESCRIPTION	CODE	LENGTH OR REDUCTION
1	1	Air bend 80 mm R/D = 0,75		1,5 m
2	13	Horizontal air pipe		13,0 m
3	1	Air wall terminal		2,0 m
4	1	Air inlet closing flange		—
5	1	Flue bend 80 mm R/D = 0,75		2,5 m
6	12	Horizontal flue		24,0 m
7	1	Air wall terminal outlet flue		5,0 m
<b>TOTAL</b>				<b>48,0 m</b>

**3.08.3 Example of other installation with two pipe systems**

Example of wall inlet/outlet  
 2 pipe application

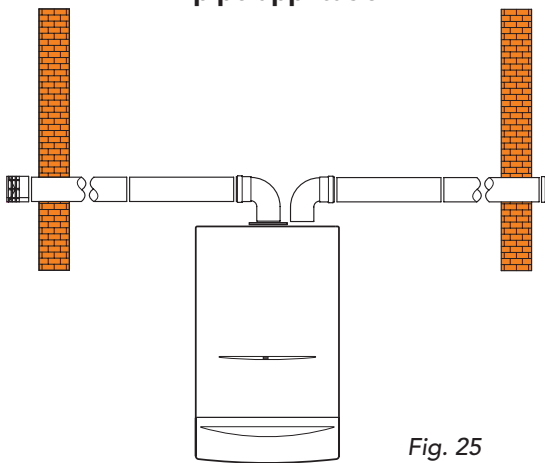


Fig. 25

Example of direct roof flue outlet  
 and wall air inlet

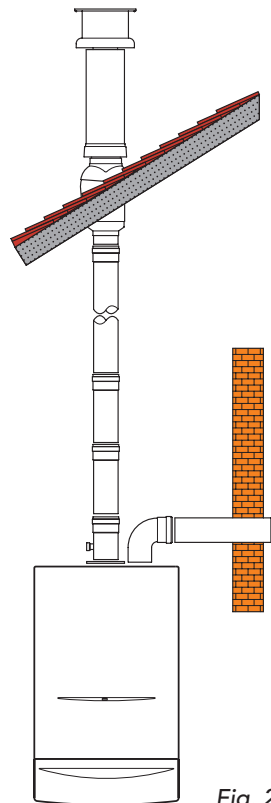


Fig. 26

Example of roof i  
 nlet/outlet

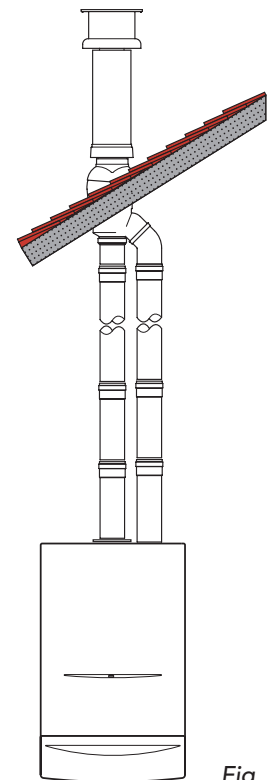


Fig. 27



### 3.09 Connecting the central heating and domestic hot water circuits

Connect to the relevant connections as indicated in fig. 1.

Connect the pressure relief valve discharge pipe (15mm) to the outside of the building, where possible over a drain. The discharge must be such that it will not be hazardous to occupants and passers-by or cause damage to external electric components or wiring. The pipe should be directed towards the wall.

To ensure long life, the heating circuit should be correctly sized and fitted with all the controls necessary to ensure correct functioning and operation. The differential between the boiler flow and return pipes should not be more than 20°C. You are advised not to use the boiler with return temperatures of less than 50°C in order to prevent patches of condensation forming and having a corrosive effect on boiler components.

### 3.10 Boiler water characteristics

If the water is harder than 18 Clarke degrees, the water used should be treated to avoid possible scale in the boiler caused by hard water or corrosion by aggressive water. It should be remembered that as a result of its low thermal conductivity, even scale of just a few millimetres thick can lead to considerable overheating of the boiler walls, resulting in serious problems.

IT IS ABSOLUTELY VITAL THAT THE WATER USED IS TREATED IN THE FOLLOWING CASES:

- a) Extensive systems (containing large quantities of water);
- b) Frequent additions of water to top-up the system;
- c) Domestic hot water circuits

If the system requires partial or total emptying, you are recommended to refill it with treated water.

### 3.11 Filling

When cold, system pressure should be about 1 bar. If while running venting off of air dissolved in the water causes the pressure of the central heating system to drop below 0,5 bar, the user must utilise a filling loop to bring it back to the original value. During operation, water pressure in the boiler when hot should be about 1.5 - 2 bars. After filling, always close and disconnect the filling loop.

**Note** - If there is a possibility of air pockets forming in certain points of the central heating system flow and return pipes, you are recommended to fit an air vent valve at these points.

**Note** - When the boiler is installed below the level of the central heating a system, single check valve should be fitted in the flow to prevent gravity circulation around the heating system.

### 3.12 Gas connection

Gas connection should be carried out using a rigid pipe.

The flow at the gas meter should be sufficient for the simultaneous use at full gas rate of all appliances connected to it. Connect the gas supply to the boiler according to current regulations. The diameter of the gas tube leaving the boiler is not the determining factor in choosing the diameter of the pipe between the appliance and the meter. This must be selected in relation to length and pressure drop and in any instance should not be less than 22mm.

**The whole of the gas installation including the meter should be inspected and tested for soundness and purged in accordance with BS6891-1988.**

**N.B.** - The filling loop will be fitted by the installer in accordance with water by laws at the time of installing the system. **It is NOT a part of the boiler.**

### 3.13 Electrical connection

The boiler must be connected to a single phase 230 V 50 Hz electricity supply with a 3 A max. fuse and a bipolar switch with contact opening of at least 3 mm fitted between the boiler and the electricity supply. The boiler must always be connected to an efficient earth installation. Under the electrical box, there is a 3 pole terminal board for connecting the boiler to the mains (230 V 50 Hz) and a 2 pole board for connecting a room thermostat (RT). To connect, undo the screws fixing the terminal board box and connect the wires, ensuring correct polarity of the terminals. It should be noted that there is low voltage (24 V) between the room thermostat contacts.

When the boiler is connected to an electricity main, it is essential TO OBSERVE CORRECT POLARITIES (LIVE: brown cable, NEUTRAL: blue cable, EARTH: yellow-green cable).

All wiring must conform to current I.E.E. regulations.



**Note:** If the power supply cable has to be replaced, use "0.75mm (24/0.20) heat resisting cable only to BS6500 with a maximum external diameter of 8 mm.

**Note -** When connecting a room thermostat or external timer, do not link the power supply of these devices to the switching contacts. The switch contacts must be voltage free. Any mains powered devices must utilise mains power solely to drive the timer motor.

**Applying mains voltage to the switch contacts will irreparably damage the circuit board.**

Although this boiler can also be used without a room thermostat, you are recommended to install one for the following reasons:

Greater comfort conditions due to more accurate control of room temperature.

Greater energy savings.

### **3.14 Differential air pressure switch (fig. 2 - part 45)**

The differential air pressure switch is a safety device which allows the main burner to ignite only after having verified that the fan is working correctly. If the difference in pressure between the flue gas discharge pipe and the air intake pipe is not at least equal to the minimum pressure switch calibration value, the pressure switch contacts do not close and the gas valve is thus prevented from opening.

In addition, the electrical circuit of the boiler is designed so that if for any reason the air pressure switch contacts remain closed when the fan stops, the burner will not start up again.

### **3.15 Checks**

Fill the central heating system as described previously (3.11) and check there are no leaks in the domestic hot water and boiler water circuits. Check that there are no gas leaks on the boiler or the supply to the boiler. Also check that the electrical connections are correct.

### **3.16 Installing a room thermostat (72) (fig. 45)**

To connect the thermostat:

Open the electrical box on the base of the appliance and remove the "jumper cable" between terminals 3 and 4.

Connect the room thermostat (72) as shown in figure 45.

### 3.17 Ferroli Domina boiler programmer fixing (optional)

- Remove outer case by removing two securing screws from the rear bottom corners and lift off.
- Remove screw securing fascia panel and swing fascia panel down.
- Remove rear cover from fascia.
- Remove clock blanking plate from the boiler fascia panel.
- Mount clock into fascia panel using two screws and spacers provided.
- Take the black cable containing the blue and brown wires and connect the loose spades to clock terminals 1 & 2.
- Connect the plug end of the cable to terminal X2 of main circuit board.
- Remove the connector link from the 2 wires located behind the clock position.
- Connect these to terminal 3 and 5 of the clock.
- Replace everything in reverse order.
- Please refer to page 48 of User manual for use of time clock

### Existing wiring

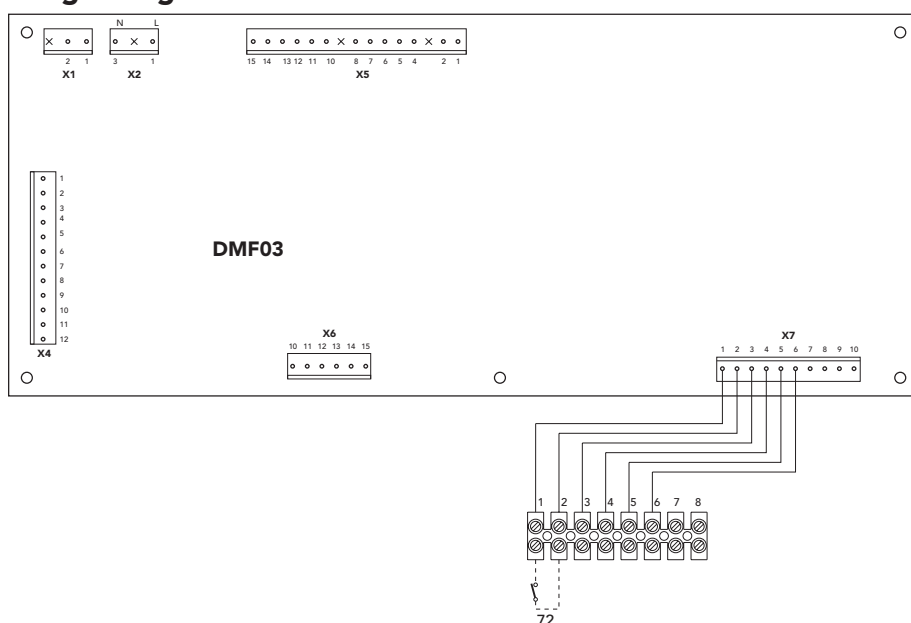


Fig. 29

### Wiring for integral clock and/or external controls

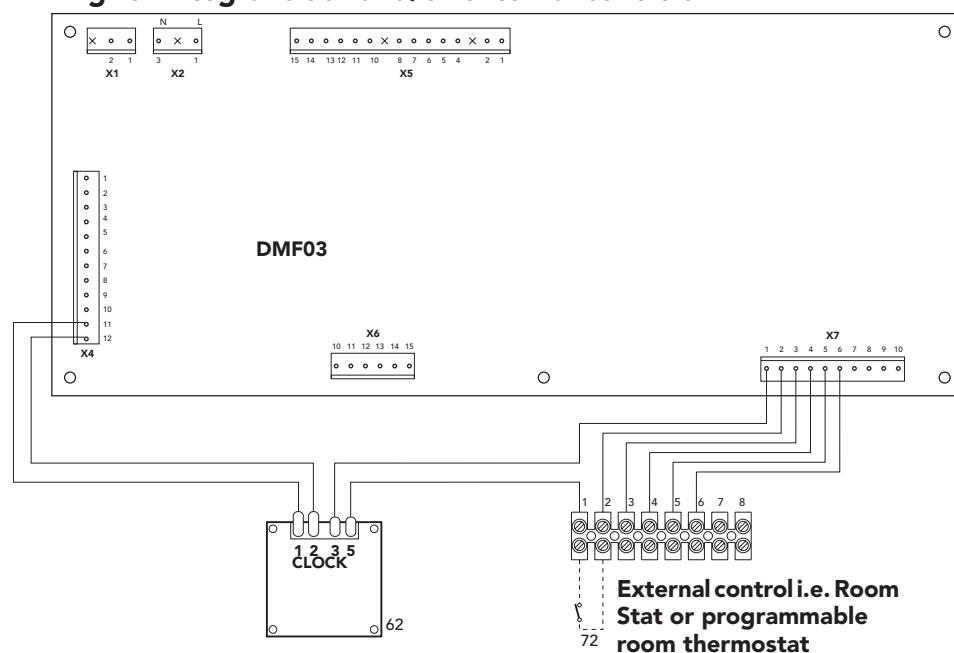


Fig. 30

---

## 4. COMMISSIONING AND TESTING

---

### 4.01 Checks to be carried out before starting up for the first time

When starting the boiler up for the first time check:

- that the gate valves between the boiler and central heating systems are open;
- that the central heating system is filled and vented;
- that there are no gas or water leaks from the central heating system or boiler;
- that the electric connections are correct and the earth wire of the boiler is connected to an efficient earthing installation and a 3amp. fuse is fitted to the isolator;
- that there are no flammable liquids or materials near the boiler;

### 4.02 Starting up the boiler

- Open the gas cock upstream of the boiler.
- Vent air present in the pipe upstream of the gas valve.
- Turn on electrical supply to the boiler.

At this point, choose whether the boiler is to be used for central heating and domestic hot water production or for domestic hot water production only.

### 4.03 Shutting down

Close the boiler isolation gas cock and turn off the electricity to the boiler.

**Important:** If the boiler is not to be used for lengthy periods during the winter, to avoid frost damage, you are recommended to drain the water from the circuits (domestic hot water and central heating). Alternatively, drain the domestic hot water system only and add special anti-freeze to the central heating system.

### 4.04 Checks and controls after first start-up

- Check there are no leaks in the gas and water circuits.
- Check correct boiler start up by carrying out start up and shut down tests using the boiler stat.
- Check the integrity of the air-flue pipes during boiler operation.
- Check that the gas consumption indicated on the meter corresponds to that given in Technical Data (page 5).
- Check that water is circulating correctly. Balance the radiators to ensure that the flow and return differential does not exceed 20°C.
- Check that the pump stops and domestic hot water is produced correctly when the hot water tap is turned on.
- Check that the burner lights up and shuts down correctly when the domestic hot water tap is turned on and off.
- Check that the domestic hot water flow and T correspond to the table. Do not rely on empirical measurements. Temperature should be measured using thermometers as near as possible to the boiler, bearing in mind the heat loss from the pipes.
- Check that the gas valve modulates correctly both during the central heating phase and the domestic hot water production phase.
- Determine the combustion efficiency and the composition of the flue gases (refer to 6.04)
- If any of the above are not correct refer to Technical Data (page 5). Adjustment (refer to 5) and Fault finding (page 37).

## 5. ADJUSTMENT AND GAS CONVERSION





### 5.01 Adjusting the pressure and flow rate to the main burner

This boiler operates on the flame modulation principle. It has two fixed pressure values, minimum and maximum, which must be as shown in the table (pages 5), whichever type of gas is used.

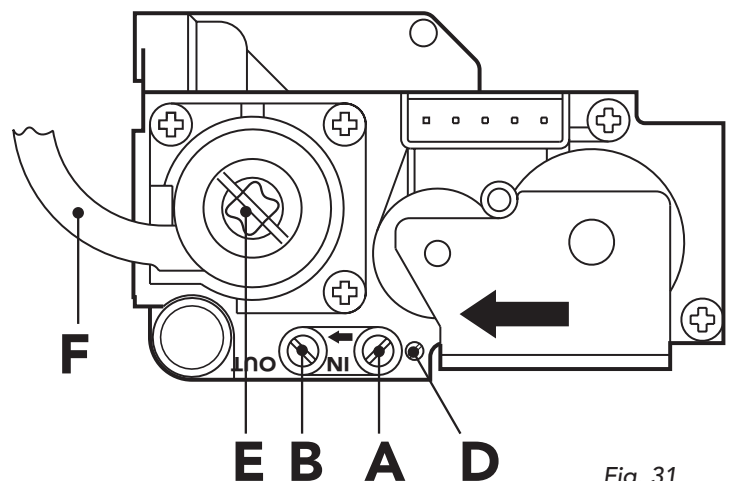
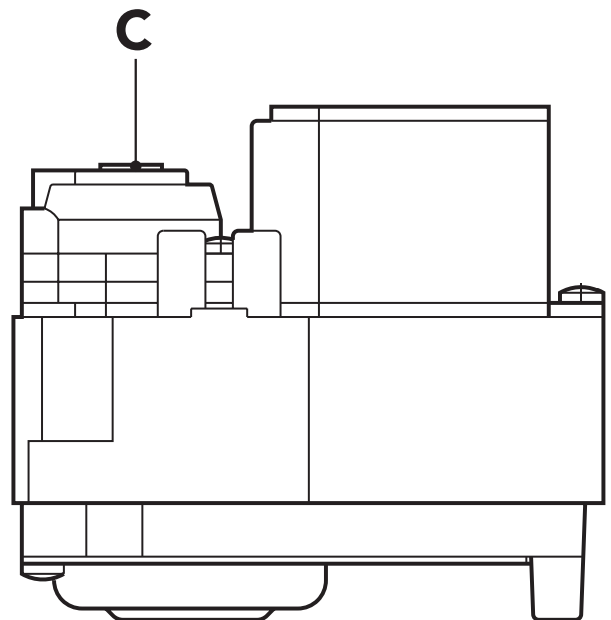
**Note** - Because correct minimum and maximum pressures are critical to the efficient operation of the boiler it is **ESSENTIAL** that the following adjustments are carried out by **COMPETENT** personnel **ONLY**.

### 5.02 Adjusting minimum and maximum pressure Honeywell V K4105G gas valve

Connect suitable pressure gauge to burner test point "B" downstream of the gas valve.

- Disconnect the pressure compensation tube "F".
- Remove the protective cap "C".
- Set boiler on C.H..
- Adjust minimum pressure by rotating screw "D", clockwise to reduce pressure and anticlockwise to increase pressure.
- Activate "Test Mode", pushing together for 5 sec.  and  on front panel.
- Adjust max pressure by rotating screw "E", clockwise to increase pressure and anticlockwise to reduce pressure.
- Reconnect the pressure compensation tube "F".
- Replace protective cap "C".
- Deactivate "Test Mode" pushing together for 5 sec.  e  on front panel.

**Maximum + Minimum possible gas pressures are now set. Range Rating the central heating is not necessary (see paragraph 5.04).**



#### Key

- A = Gas inlet test point
- B = Gas outlet test point
- C = Protection cup
- D = Min. pressure adjusting screw
- E = Max. pressure adjusting screw
- F = Balancing tube

Fig. 31

### 5.03 Adjusting room temperature (when a room thermostat is fitted)

Room temperature is controlled by positioning the room thermostat knob to the required value. The thermostat automatically controls the boiler, temporarily interrupting the electrical supply subject to the room heat requirements.

### 5.04 Adjusting the central heating flow $t$ by varying pump flow-head

The thermal head  $t$  (the difference in temperature between the delivery water and return water in the central heating circuit) must be less than 20° C. This is obtained by varying pump flow rate and head using the multi-speed variator (or switch) on the pump itself. Increasing the pump speed reduces  $t$  and vice versa. The minimum differential must not be less than 11°C.

### 5.05 Adjusting central heating system pressure

The pressure of water in the central heating system, read on the control panel pressure gauge, is adjusted as described in paragraph 3.11 page 24.

**N.B.** - To avoid incurring unnecessary expense, in the event of boiler shut down, check that this is not caused by a lack of electricity or gas, or low water pressure before calling the Customer Technical Service Helpline.

### 5.06 Gas conversion

The following adjustment and conversion operations must be carried out by competent personnel. FERROLI Limited accepts no liability for damage to property or personal injury resulting from tampering with the boiler by unauthorised persons.

To convert the boiler from Nat Gas to LPG and vice versa, the main burner injectors must be replaced. Minimum and maximum pressures must then be adjusted on the gas valve (see Adjustment page 28).

**Note:** After converting the boiler from natural gas to liquid gas, fit the orange plate in the conversion kit near the data plate.

**Note:** injector diameters and pressures at the main burner are given in Technical Data (page 5).



---

## 6. MAINTENANCE AND CLEANING

---

The following operations must be carried out by Corgi registered engineers only.

### 6.01 Annual Servicing

The following should be checked at least once a year:

- Water pressure in the central heating system when cold should be about 1 bar. If this is not the case, bring it back to this value.
- Check control and safety devices (gas valve, flow meter, thermostats, etc) are functioning correctly.
- The burner and heat exchanger must be clean. To avoid damage, always clean them with a soft brush or compressed air. Never use chemical products.
- The expansion vessel must be checked (precharge 1 bar).
- Check there are no leaks in the gas and water circuits.
- Check the air-flue gas duct terminal is free from obstructions and sound.
- The electrodes must be free from corrosion build up and correctly positioned.
- Gas flow and pressure must correspond to the values given in the Technical Data (page 5).
- The pump must be free to rotate.

### 6.02 Cleaning the boiler and burner

The boiler should be serviced annually. The heat exchanger and burner must never be cleaned with chemical products or steel brushes. Particular attention must be paid to all seals and fixings associated with the room-sealed compartment (gaskets, grommets, etc). Air leakage would cause pressure inside the compartment to drop, possibly tripping the differential pressure switch and thus shutting down the boiler. After cleaning particular attention should also be paid to checking stages of start-up and operation of the thermostats, gas valve and pump.

### 6.03 Servicing procedure

1. Visually check boiler for correct installation and flueing.
2. Isolate electricity supply + check fuse is 3amp.
3. Remove case by undoing the two screws located at the bottom rear corners, lift slightly and pull forward.
4. Carry out preliminary electrical checks at boiler junction box. This is located in the centre of the boiler at the bottom and can be accessed by the removal of a single screw. Any faults found must be rectified before proceeding.
5. If electrical checks prove O.K. replace cover and secure with screw.
6. Attach a manometer to the boiler gas inlet test point, turn on electricity and fire boiler for hot water, check inlet pressure. This should be 20mbar **minimum** for NG and 37mbar for LPG. If this is not the case there is a supply problem and this will need to be remedied.
7. If inlet pressure is O.K. shut down boiler and remove manometer from gas inlet pressure test point and attach it to the boiler burner pressure test point. Reseal inlet pressure test point.
8. Fire boiler and check that maximum and minimum pressures are as prescribed on data table. Shut down boiler, remove manometer, seal test point. If the pressures are not as specified they will need to be adjusted on the gas valve (see page 28 - installation manual).
10. Remove fan by undoing the two fan securing screws tilt the front of the fan upwards (downwards for rear outlet flue) to detach it from the securing pin and withdraw it from the boiler, disconnect the wires and air pressure switch tubes.
11. Take off the combustion chamber cover by removing the three securing screws.
12. Lift off flue hood and flue baffle plate.
13. Pull off the ignition and flame rectification leads from their respective electrodes.
14. Undo the gas union in the centre of burner rail and take out the two securing screws. Remove the burner rail and clean rail and injectors.
15. Remove two screws securing the burner assembly and remove the assembly. Clean burners.
16. Clean heat exchanger with a soft brush.
17. Re-assemble baffle, flue hood and fan assembly, secure with screws previously removed.
18. Refit burner assembly and burner rail.
19. Reconnect ignition and flame rectification leads.
20. Reconnect gas union and tighten.

21. Refit combustion chamber cover, secure with screws.
22. Examine seals on room sealed cover refit cover and secure with screws.
23. Turn on gas and electricity.
24. Fire boiler and check all gas joints for soundness.
25. Check flame picture and all controls for correct operation.
26. Check room sealed cover for leakage.
27. Check domestic water flow rate and temperature is within specifications.
28. Check operation of all safety cut off devices.
29. If a combustion analyser is to be used there are test points provided on the front of the room sealed cover. The right hand grommet is for air and the left hand one is for flue gas. The boiler must reach operating temperature before this test is carried out (normally 10-15 minutes). CO/CO<sub>2</sub> ratio should not exceed 0.0080. Immediately after servicing (0.0040 at any other time)
30. Refit case and secure with screws.
31. Leave boiler set to customers requirements.

### 6.04 Flue Gas Analysis

1. The appliance should be checked visually for obvious defects.
2. After removing the jacket on the boiler there are two test point, one for flue gas and the other for air.
3. Open the air and flue gas test points;
4. Introduce the probes as far as the retainer;
5. Turn on the hot water tap;
6. Turn the domestic hot water stat to maximum;
7. Allow the boiler to reach thermal equilibrium (10 - 15 min.);
8. Take reading;
9. The CO/CO<sub>2</sub> ratio should be 0.0040 or below. If the reading is above this then a full strip down service must be carried out and the cause remedied.
10. Following a full strip down service and after reaching thermal equilibrium the permissible reading is 0.008 or below.

**N.B.:** To ensure correct readings the boiler **must** have reached **normal operating temperature**. Testing the boiler **before thermal equilibrium** has been attained **will give incorrect readings**.

**N.B.:** If you have only 1 probe, measure separately air and flue gas, close the test point not in use.



Fig. 33

## 7. REPLACEMENT OF PARTS

### 7.01 Initial procedure

- a) The boiler is cold, electricity supply is isolated, and the gas supply is turned off at the inlet of the boiler
- b) For replacement of parts where water connections are broken, it will be necessary to isolate and drain either or both the central heating or domestic hot water circuits of the boiler only. The cold water mains inlet is isolated at the inlet cock. The D.H.W. is drained by opening a hot tap. The C.H. flow and return cocks are turned off at the isolation cocks. The C.H. is drained via the pressure relief valve (twist about 1/2 of a turn).
- c) Remove components following special notice below and replace in reverse order.
- d) Ensure water and gas washers are in good condition.

### 7.02 Final procedure

- Re-open cocks and re-charge the system to about 1 bar, and vent boiler and radiators. Re-charge to 1 bar if necessary.
- Upon completion of the work the following. Should be checked:
  - I) Gas soundness of all joints
  - II) Water soundness of all joints
  - III) The electricity supply.
  - IV) The pressure of the sealed system and top up where necessary.

### 7.03 To lower the control panel (fig. 34)

- Remove the two fixing screw (fig. 34) "A"
- Rotate down the front panel "C"

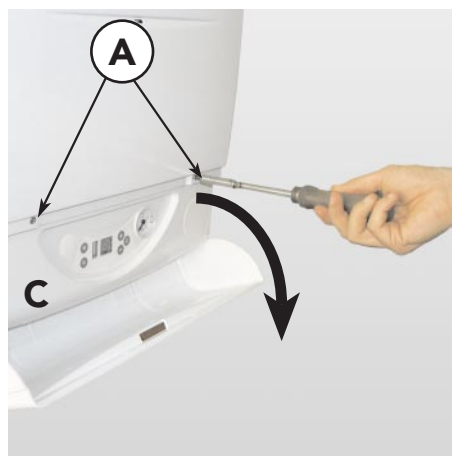


Fig. 34

### 7.04 Remove and re-pressurising of C.H. expansion vessel (fig. 35)

- Refer to 7.01 a, b
- Isolate electricity and water supplies
- Remove outer case (two screws bottom rear corners)
- Loosen the "A" connections to expansion vessel
- Remove "B" screw
- Remove the expansion vessel
- Re-assemble in reverse order
- Re-pressurise expansion vessel (charge pressure 0,8-1 bar) through the valve "C"
- Ensure pressure relief valve is open (twist about 1/2 of a turn) when repressurizing

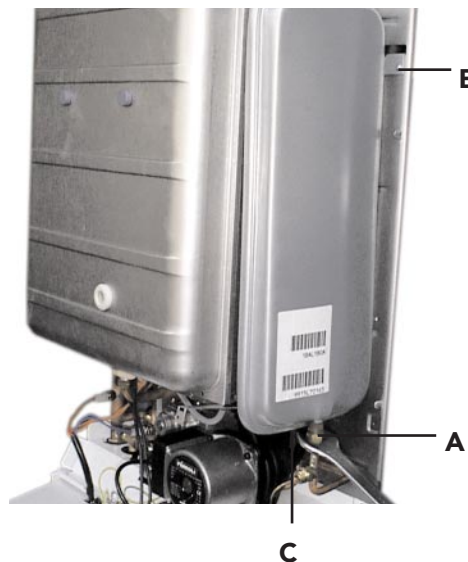


Fig. 35



## 7.05 Gas valve (fig. 36)

- Isolate gas and electricity supplies
- Remove outer case (two screws bottom rear corners)
- Remove the two securing screws and lower control panel
- Disconnect electrical connections from valve ("A")
- Disconnect plastic tube "C"
- Loosen the connection "D" on gas pipe and the gas inlet connection of the boiler "E"
- Remove the two fixing screw "E" below gas valve
- Slide out gas valve
- Remove four fixing screw "F" on top of the valve and disconnect the gas pipe
- Remove bottom connection from gas valve.
- Fit top + bottom gas connections to the new gas valve and replace in reverse order

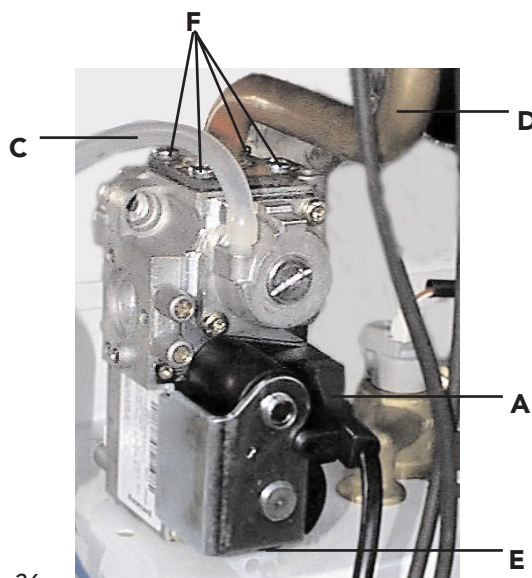


Fig. 36

## 7.06 Air pressure switch (fig. 37)

- Isolate electricity
- Remove outer case (two screws bottom rear corners)
- Open room sealed department
- Remove the two screw "A" fixing air pressure switch
- Disconnect electrical leads "B"
- Remove pressure sensing tubes (white=D; Red=C)
- Note relevant positions of all connections and replace in reverse order.

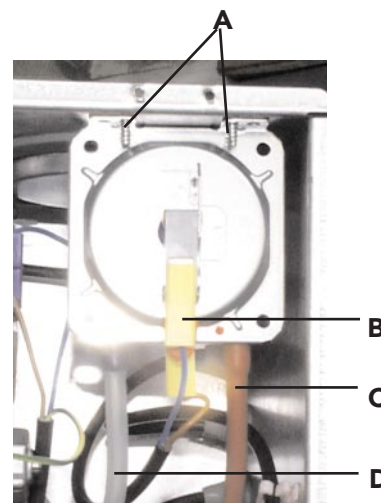


Fig. 37

## 7.07.1 D.H.W. temperature sensor or Central Heating Temperature Sensor (fig. 38)

- Isolate electricity and water supplies
- Remove outer case (two screws bottom rear corners)
- Remove the two securing screws and lower control panel
- Identify the sensor from figure 38
- Disconnect electrical connection to the sensor
- Drain the affected service either D.H.W. or C.H.
- Unscrew the sensor
- Replace in reverse order

## 7.07.2 Water Pressure Switch (fig. 38)

- Isolate electricity and water supplies
- Remove outer case (two screws bottom rear corners)
- Remove the two securing screws and lower control panel
- Identify the switch from figure 38
- Disconnect electrical connections + note positions to the switch
- Drain the boiler
- Unscrew the sensor
- Replace in reverse order

## 7.07.3 Safety Valve (fig. 38)

- Isolate electricity and water supplies
- Remove outer case (two screws bottom rear corners)
- Remove the two securing screws and lower control panel
- Identify valve from fig. 38
- Drain the boiler
- Release the outlet union to the valve and undo the valve union connection
- Remove the valve outlet fitting
- Replace in reverse order

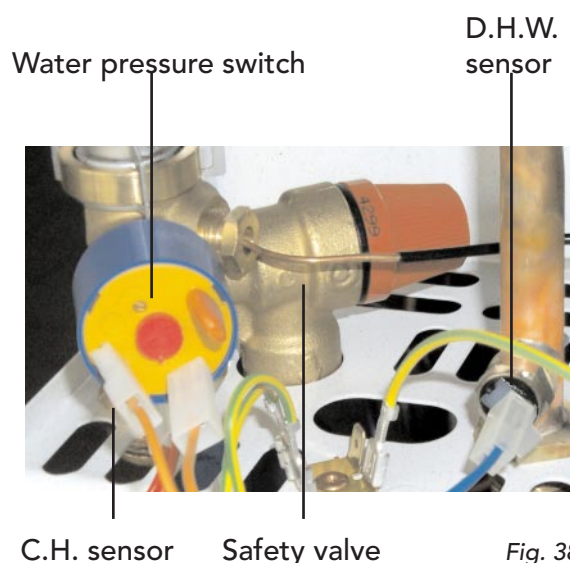


Fig. 38

## 7.08 Removal of burner (fig. 39)

- Isolate gas and electricity supplies
- Remove outer case (two screws bottom rear corners)
- Remove room sealed cover
- Disconnect ignition and flame rectification leads "A"
- undo gas rail union "B"
- Undo two screws securing the burner assembly to the boiler combustion chamber "D"
- Withdraw the burner assembly

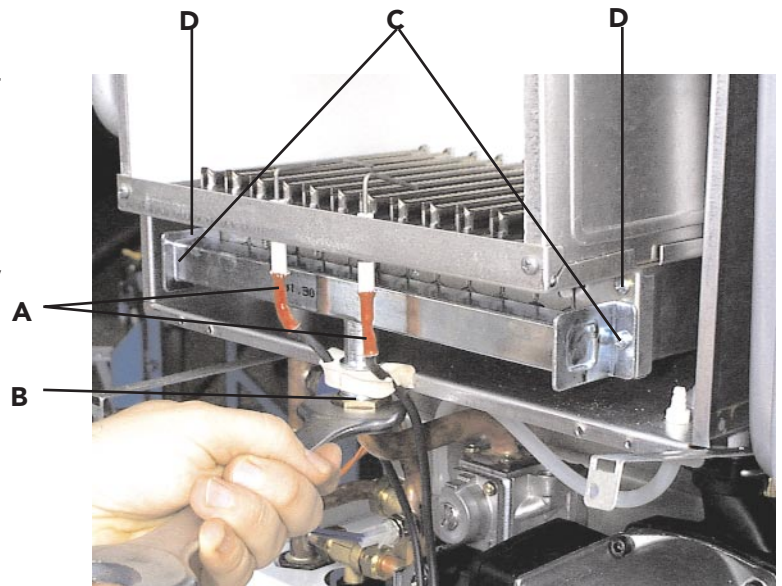


Fig. 39

## 7.09 Injectors (fig. 39)

- Proceed as 7.08
- Remove fixing screw "C" on both sides of gas collector
- Remove gas collector
- Unscrew and remove injectors;
- Clear or change injectors

## 7.10 Removal of fan (fig. 40)

- Isolate gas and electricity supplies
- Remove outer case (two screws bottom rear corners)
- Remove room sealed cover
- Disconnect fan electrical leads "A" and note positions
- Disconnect air pressure tubes from air pressure switch "B" + note positions
- Undo two screws securing fan assembly "C"
- Remove fan from boiler
- Swap mounting plate over to new fan + replace in reverse order

## 7.11 Limit thermostat, or overheating cut off thermostat (fig. 40)

- Isolate electricity
- Remove outer case (two screws bottom rear corners)
- Remove room sealed cover
- Identify the location of thermostat from fig. 40
- Pull out thermostat from tube, with its spring
- Remove electrical connections from thermostat
- Remove spring from thermostat
- Replace in reverse order

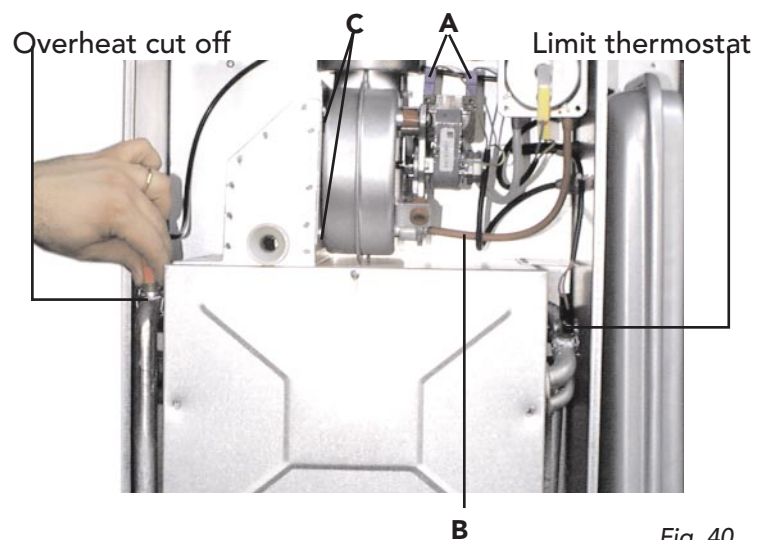


Fig. 40

**7.12 Spark or flame detect electrode**  
(fig. 41)

- Isolate gas and electricity supply
- Remove outer case (two screws bottom rear corners)
- Open room sealed compartment and combustion chamber
- Identify electrode from fig. 41
- Unplug electrical connection "A" from sensing electrode
- Remove fixing screw and remove flame detect electrode
- Remove the two fixing screw from spark electrode plate and remove it.

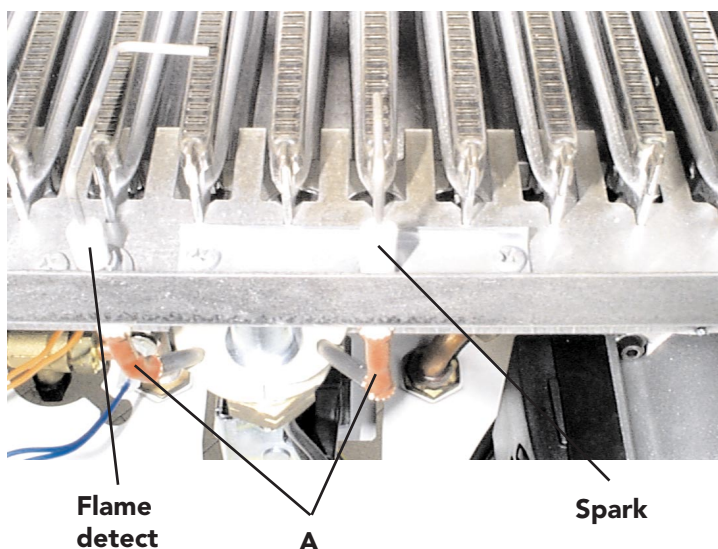


Fig. 41

**7.13 D.H.W. flowmeter**

- Isolate electricity and water supplies
- Open a hot water tap to release water pressure from the domestic side of the heat exchanger, close tap.
- Remove outer case (two screws bottom rear corners).
- Remove two screws from control panel and tilt forward
- Take off protective cover from main PCB and unplug flow meter lead from terminal X6
- Place a piece of cloth or some other absorbent material over rear of control panel to catch any drops of water that may be released when removing the flow meter
- Using a 24mm open ended spanner, undo flow meter unions "A" and "B" taking care not to twist the copper tubing (access through base panel).
- Remove flow meter, check + clean filter + restrictor + fit to new flow meter.
- Reassemble in reverse order.



Fig. 42a

**Take care on correct position of components as reported in fig. 42b**

- Key**
- 37** Cold water inlet filter
  - 38** Gasket
  - 39** Cold water flow limiter

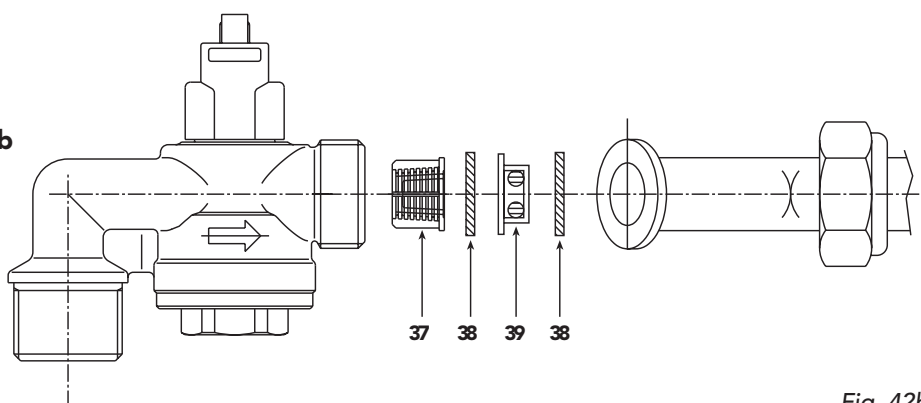


Fig. 42b



## 7.14 Pump (fig. 43)

### Replacement of pump head

- Isolate electricity and flow and return pipes
- Remove casing (two screws bottom rear corners).
- Remove the two securing screws and lower control panel
- Release pressure from boiler via pressure relief valve
- Unplug the pump lead "A" from the pump head
- Place a piece of cloth or other absorbent material over the rear of the control panel to catch any drops of water that may fall when the pump head is removed.
- Using a 4mm allen wrench undo the four allen screws "B" in the pump head, lift away pump head from the pump body
- fit new head into pump body and secure with the allen screws tightening evenly.
- Replace electrical connection.

### Replacement of pump body (fig. 43)

- Proceed as for removal of pump head
- Disconnect the expansion vessel connecting pipe "E" from the rear of the pump body by removing the clip from the left hand side
- Disconnect the boiler return pipe
- Disconnect the pump to heat exchanger connection by removing the clip "F"
- Unscrew the nut on bottom of pump "D"
- Turn the pump body through 90°, pull the bottom forward and withdraw the pump body
- Reassemble in reverse order taking care to ensure the O-rings are in place and undamaged.

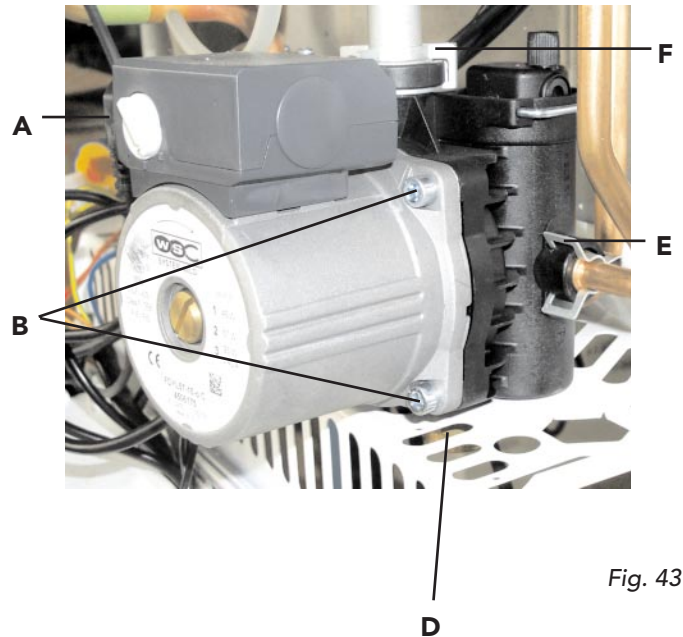


Fig. 43

## 7.15 Removal of heat exchanger

- Isolate gas, water and electricity supplies
- Remove casing (2 screws bottom corners)
- Remove the two securing screws and lower control panel
- Drain heat exchanger for both CH + DHW
- Remove sealed compartment front panel
- Disconnect the overheat thermostat and central heating limit thermostat
- Remove the main burner, fan, flue hood and flow meter as described previously
- Remove the pump to heat exchanger flow connection and locknut
- Undo the domestic water outlet connection and locknut
- Lift out heat exchanger
- Re-assemble in reverse order

## 8. FAULT FINDING

Before beginning any fault finding ensure that gas, water and electricity are available.

### 8.01 Operating Sequence

With the power established the boiler is in its stand-by mode i. e. power on but no demand. The operational sequence for C.H. and D.H.W. are as follows:

#### Central Heating Mode

**External Call for Heat:** The temperature regulator, built in or remote clock and room thermostat, if fitted, must all call for heat. This will cause the pump to run.

**Internal Call for Heat:** C.H. flow temperature sensor, 88°C high limit and low water pressure switch all calling for heat. If both external and internal calls for heat are present the MF03 PCB will energise.

In demand the fan will go to high speed causing the air pressure switch to operate. If the overheat (100°C) stat is closed circuit the ignition will operate and the gas valve will be energised.

The burner will light at ignition burner pressure, automatically range rating itself up to the heating load, then modulating down when the boiler reaches the desired flow temperature. When the central heating is satisfied the burner will go off and the fan stops i.e. stand-by mode.

**Note** - If the boiler thermostat is set to maximum than the burner pressure will go to maximum effectively bypassing the auto range rating facility

#### Domestic Hot Water Mode

**External Call for D.H.W.:** Flow meter registers at least 2.5 litres/min flow to the hot water taps.

**Internal Call for D.H.W.:** Hot water flow temperature sensor 88°C high limit stat and low water pressure switch calling for heat.

If both internal and external calls are present the boiler follows the same sequence as for C.H. to light the burner. However, for D.H.W. the burner will go straight to maximum and then modulate once the water reaches the set temperature of the control thermostat. Turning the tap off will return the boiler to stand-by mode.

**Note:** Following shut down of the D.H.W. or C.H. the boiler will go into a three minute central heating delay.

### 8.02 Limit thermostats

T/Stat	Location	Function	Nominal Operating Temperature	Circuit	Wiring Colours
<b>C.H. Limit</b>	Top RHS of Heat Exchanger	Shuts down main burner if boiler thermostat fails	88°C	Low voltage DC	Blue Brown
<b>Frost</b>	Incorporated in C.H. Sensor	Fires the boiler and runs pump to maintain minimum water temperature	7°C - 14°C	Low voltage DC	Red Red
<b>Overheat</b>	Top LHS of Heat Exchanger	Protect boiler by stopping ignition and cuts power to gas valve	100°C	240V AC	Brown Blue

**Note:** Always check for sufficient gas supply (20mbar inlet working pressure for NG and 37mbar for LPG). Minimum of 22 mm diameter pipework on C.H. flow and return with adequate by-pass. A correctly installed flue system and a 3 amp fuse.

## 8.03 DMF03 PCB and Diagnostic

The boiler features an advanced self-diagnostic system. In the case of an fault in operation, the display flashes and the code identifying the fault appears. The faults marked with the letter **"A"** cause the permanent shut-down of the boiler. To reset operation the boiler must be restarted manually, pressing the **"R"** (reset) button.

The faults marked by the letter **"F"** cause temporary shut-down and are reset automatically as soon as the value returns within the boiler's normal operating range.

The following table lists a number of indications for resolving the faults signalled by the boiler. Interventions on the appliance must be effected only by Qualified Personnel, such as the personnel from the FERROLI Customer Technical Service Centre. For any operations on the appliance or which require the opening of the boiler, always request the assistance of the service centre.

	Fault	Possible cause	Solution
A 0 1	Failed burner assembly ignition	<ul style="list-style-type: none"> <li>No gas</li> <li>Ignition or detection electrode fault</li> <li>Defective gas valve</li> </ul>	<ul style="list-style-type: none"> <li>Check that the gas flow to the boiler is correct and that air has been eliminated from the piping</li> <li>Check the wiring to the electrodes and that these are positioned correctly and free of deposits</li> </ul>
A 0 2	Safety thermostat activation	<ul style="list-style-type: none"> <li>Outlet sensor not active</li> <li>No system circulation</li> </ul>	<ul style="list-style-type: none"> <li>Check the correct positioning and operation of the outlet sensor</li> <li>Check the pump</li> </ul>
F 0 3	Outlet sensor faulty	<ul style="list-style-type: none"> <li>Sensor damaged or wiring cut</li> </ul>	<ul style="list-style-type: none"> <li>Check wiring or replace the sensor</li> </ul>
F 0 4	Domestic hot water sensor faulty	<ul style="list-style-type: none"> <li>Sensor damaged or wiring cut</li> </ul>	<ul style="list-style-type: none"> <li>Check wiring or replace the sensor</li> </ul>
F 0 6	External probe faulty	<ul style="list-style-type: none"> <li>Sensor damaged or wiring short-circuited</li> </ul>	<ul style="list-style-type: none"> <li>Check wiring or replace the sensor</li> </ul>
F 0 8	Insufficient water system pressure	<ul style="list-style-type: none"> <li>System empty</li> <li>Sensor not connected</li> </ul>	<ul style="list-style-type: none"> <li>System empty</li> <li>Water pressure switch not connected</li> </ul>
F 1 0	Excessive central heating outlet temperature	<ul style="list-style-type: none"> <li>Pump blocked</li> <li>Pump faulty</li> </ul>	<ul style="list-style-type: none"> <li>Free the pump by removing the cap and rotating the shaft with a screwdriver</li> <li>Check or replace the condenser or the pump</li> </ul>
F 1 1	Excessive domestic hot water temperature	<ul style="list-style-type: none"> <li>Modulating not working</li> </ul>	<ul style="list-style-type: none"> <li>Check gas valve</li> </ul>
F 1 2	Limit thermostat intervention	<ul style="list-style-type: none"> <li>Pump blocked</li> <li>Pump faulty</li> </ul>	<ul style="list-style-type: none"> <li>Free the pump by removing the cap and rotating the shaft with a screwdriver</li> <li>Check or replace the condenser or the pump</li> </ul>
F 1 3 F 1 4 F 1 5	microprocessor faulty	<ul style="list-style-type: none"> <li>Microprocessor operation faulty</li> </ul>	<ul style="list-style-type: none"> <li>Microprocessor operation faulty</li> </ul>

## 8.04 Temperature sensors (thermistors)

Identical, but individual, negative temperature co-efficient (NTC) thermistors are fitted in the C.H. and D.H.W. outlets from the heat exchanger. As the water temperature increases the resistance in the thermistor decreases. This causes the PCB to reduce the voltage to the modureg, in turn reducing the burner pressure. The wiring for each thermistor is colour coded red for C.H. and blue for D.H.W. The sensors are fitted in wet pockets.

## 8.05 Limit thermostats

Two surface mounted auto reset bi-metal thermostats are located on the heat exchanger secured by spring clips. Heat sink compound is used.

## 8.06 Ignition PCB

Located to the right hand side of the electrical control compartment accessed by lowering the facia then removing the rear cover.

## 8.07 Main printed circuit board

Secured by four plastic tabs the PCB is situated inside the control compartment. The transformer for low voltage AC is attached to the PCB as is the DC rectifier. C.H. output and maximum D.H.W. temperature, adjustable by the controls on the facia and because the boiler features automatic range rating no adjustments need to be made. Electro mechanical relays control pump operation and put switched live to the ignition PCB (demand relay), they have transparent plastic covers so that their contacts can be seen moving.

## 8.08 Air pressure switch

Operating at 230 V AC and situated next to the fan. Different coloured tubes connect the switch to the fan. It is a make on pressure switch and only uses two terminals, the middle terminal is not used.

## 8.09 Short spares list

KEY NO. (from fig 2 )	DESCRIPTION	PART NO.	G.C. NO.
14	Safety Valve	800130	386-816
16	Fan	800480	E23-851
34	Central Heating Flow Temperature Sensor	800320	E23-839
42	Domestic Hot Water Flow Temperature Sensor	800320	E23-839
43	Air Pressure Switch	800150	E23-840
44	Honeywell Gas Valve	800266	E23-768
49	Overheat Safety Thermostat 100°C	801270	386-815
50	High Limit Thermostat 88°C	800160	386-577
81	Ignition Electrode C/N fixing Bracket	806460	
82	Flame Sensing Electrode	801438	E23-855
136	Flow Meter	803430	E03-340
	Main PCB DMF03		
	Ignition PCB	800655	E23-848
27	Heat Exchanger	802180	E23-919

## 9 ELECTRICAL AND FUNCTIONAL SCHEME

### 9.01 General wiring diagram

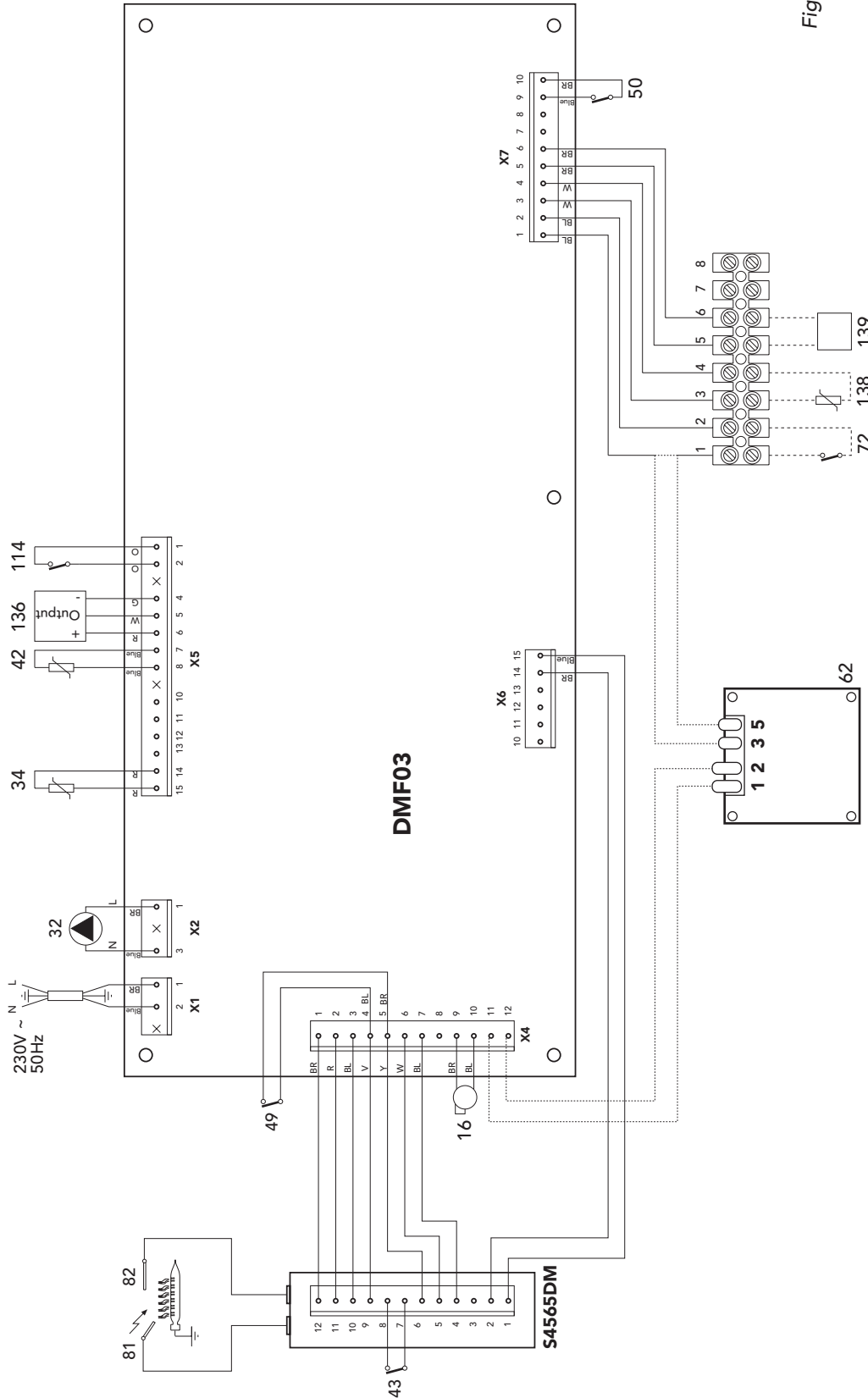


Fig. 44

#### Key

- 16 Fan
- 32 Central heating pump
- 34 Central heating flow temperature sensor
- 42 Domestic hot water flow temperature sensor
- 43 Air pressure switch
- 44 Gas valve
- 49 Safety thermostat
- 50 Central heating limit thermostat
- 62 Time clock (option)
- 72 Room thermostat
- 81 Ignition electrode
- 82 Sensor electrode
- 114 Low water pressure switch
- 136 Flow meter
- 138 Outside temperature sensor
- 139 Room unit

#### Key

- BR Brown
- BLUE Blue
- BL Black
- W White
- O Orange
- G Green
- R Red
- V Violet
- Y Yellow

#### IMPORTANT

USE A ROOM THERMOSTAT (24 V) WITHOUT VOLTAGE TO THE CONTACTS. CONNECTING 230 V TO THE ROOM THERMOSTAT TERMINALS WILL IRREPARABLY DAMAGE THE ELECTRONIC BOARD.



## 10. USER INSTRUCTIONS

The operation of the appliance is mostly automatic. The heat rate for the heating function is regulated automatically by the control system according to the characteristics of the internal and external environment (with optional external probe installed), the characteristics of the building and its location. The heat rate for the domestic hot water function is regulated automatically and continuously, to ensure rapid delivery and comfort in all supply conditions.

The user simply has to set the required temperature from inside the living area (using the room thermostat or the optional, yet recommended, remote control) or set the heating system temperature and the required outlet temperature for the domestic hot water service. The regulation and control system will then provide for optimal operation all year round.

The display provides continuous indication on the operating status of the appliance, and can display additional information on the temperature of the sensors, the set-point, etc. or be used for the configuration of such via the operating menu, using the keypad.

Any anomalies in operation involving the boiler or the heating system are signalled on the display and, where possible, corrected automatically.

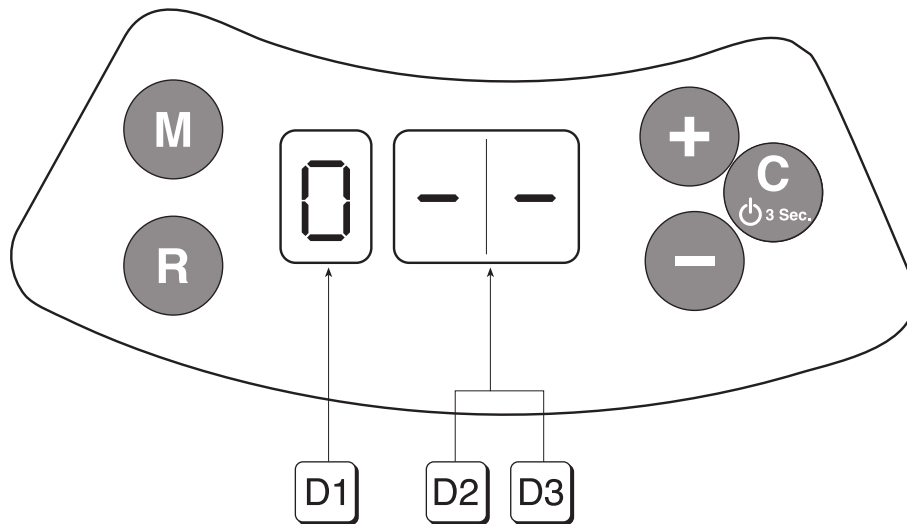


Fig. 45

### Function of the buttons

- MODE** button - Use this button to scroll the parameters.
- RESET** button - Use this button to reset the operation of the boiler in the event of shut-down.
- MODIFY** button - Use these buttons to modify the regulation values.
- CONFIRM / ON-OFF** button - Use this button to enable the set regulation value.  
Press this button for 3 sec. to shut down the boiler. For igniting press again the button for 3 sec.

### Display indications

- MODE** display - Indicates the operating mode of the boiler or the selected parameter.
- DATA** display - Indicates value of the parameters:  
C.H. flow outlet temperature  
D.H.W. temperature  
Outside temperature  
D.H.W. production  
Compensation curve  
Troubleshooting

## 10.01 Operating indications on the display

During operation, without pressing any of the buttons the display shows the operating status of the appliance:

■ <b>Standby</b>		Central heating outlet temperature
■ <b>Heating</b>		Central heating outlet temperature
■ <b>domestic hot water</b>		Domestic hot water temperature
■ <b>Standby following</b>		Domestic hot water temperature
■ <b>Standby following heating operation</b>		Central heating outlet temperature
■ <b>Test</b>		Central heating outlet temperature
■ <b>Shut down boiler</b>		Code troubleshooting
■ <b>Troubleshooting</b>		Code troubleshooting

## 10.02 Ignition

Check that any shut-off valves in the heating system and domestic hot water circuit outside of the boiler are open. Open the gas cock upstream from boiler and press the main switch. The boiler will perform a self-test cycle lasting approximately one minute, at the end of which it is ready for operation. The ignition and shut-down of the burner assembly are completely automatic operations, which depend on the requirements of the heating system or domestic hot water circuit.

## 10.03 Shut-down

In the event of extended periods of inactivity close the gas cock upstream from the boiler and disconnect the electrical power supply to the appliance. In this case, the boiler antifreeze protection function is also disabled; this function switches on the burner assembly when the heating system temperature falls below 5°C. For extended periods of inactivity during the winter months, in order to avoid damage due to freezing, all the water should be drained from the boiler, both the domestic hot water and the heating system; alternatively, drain only the domestic hot water and introduce the special antifreeze into the heating system.

## 10.04 Accessing the operating menu

Pressing the **(M)** - mode button once accesses the operating menu. Pressing the **(M)** mode button again displays the following parameters and information in sequence.

DISPLAY D1	DISPLAY D2/D3
0	Summer (0) / Winter (1) selection
1	CH outlet temperature view and setting
2	Domestic hot water temperature
3	External temperature
4	-
5	Domestic hot water flow rate
6	Compensation curve setting

## 10.05 Setting the heating system temperature

Set, using the room thermostat or remote control, the desired temperature inside the rooms. When acting on the room thermostat, the boiler is turned on and the heating system water is brought to the central heating outlet set temperature or calculated temperature (with temperature scrolling active). On reaching the required temperature inside the rooms, the generator will switch off.

If no room thermostat or remote control is installed, the boiler will maintain the heating system temperature at the central heating outlet setpoint.

To set the central heating outlet temperature, access the operating menu, and using the button **(M)** display parameter 1 – central heating outlet temperature. On pressing one of the buttons **(+/-)** the display will start to flash, showing the outlet temperature setpoint. Use the buttons **(+/-)** to set the required value. To activate the new value, press the button **(C)**. To cancel the setting, do not press the button **(C)**, and press the button **(M)**.

## 10.06 Setting the domestic hot water temperature

Set, using the control boiler panel, the required domestic hot water outlet temperature. On opening a hot water tap, the system regulates itself to supply water at the set temperature, according to the flow rate of delivery and the temperature of the cold water supplied to the boiler. If in terms of delivery or temperature difference between the inlet and outlet, the thermal capacity of the generator is exceeded (refer to the technical data), the outlet temperature will be proportionally lower than the setpoint.

To set the domestic hot water outlet temperature, access the operating menu, and using the button **M** display parameter 2 – domestic hot water temperature. On pressing one of the buttons **+/-** the display will start to flash and the domestic hot water outlet temperature setpoint will be displayed. Use the buttons **+/-** to set the required value. To activate the new value, press the button **C**. To cancel the setting, do not press the button **C**, and press the button **M**.

## 10.07 Outside temperature compensation

When the (optional) external probe is installed, the boiler regulation system functions in "Outside temperature compensation" mode. In this mode, the temperature of the heating system is regulated according to the external climatic conditions, so as to guarantee a high degree of comfort and energy saving all year round. Specifically, when the external temperature falls, the central heating outlet temperature is increased, according to a pre-determined "compensation curve".

In this mode, the temperature set in parameter 1 of the operating menu becomes the maximum central heating outlet temperature. This should be set to Maximum to allow the system to regulate over the entire working range.

The boiler must be set during installation by qualified personnel. Other minor modifications can be made by the user to improve the level of comfort: the compensation curve can in fact be modified by accessing the operating menu with the button **M** and scrolling the menu, again using the button, to parameter 9.

The set compensation curve is displayed (refer to graph below). Pressing one of the buttons **+/-** the display starts to flash; use the buttons **+/-** to set the required value. To activate the new curve, press the button **C**. To cancel the setting, do not press the **C** button, and press the button **M**.

If the ambient temperature is lower than the required value, it is suggested to set a higher curve, and vice-versa. Proceed with single unit increments or decreases, and check the results in the room.

### Compensation curve

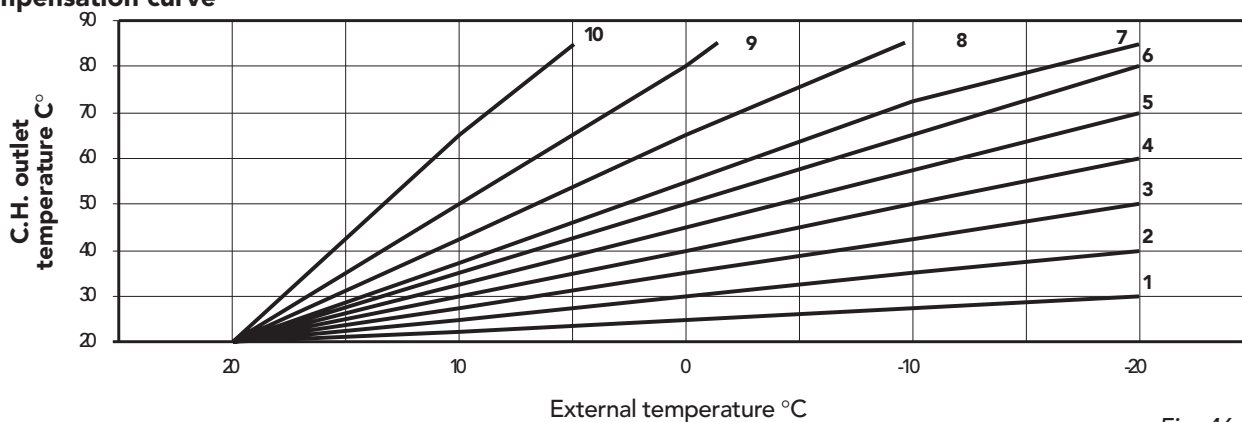


Fig. 46

## 10.08 Maintenance

It is strongly recommended to effect the annual maintenance of the heating system and at least biennial checks of the combustion device. Please refer to the "maintenance" section in this manual.

The casing, the control panel and the aesthetic parts of the boiler can be cleaned using a soft and damp cloth. Do not use abrasives or solvents.

## 10.09 Anomalies

In the event of operating anomalies or problems, the display flashes and shows the code identifying the anomaly.

The anomalies marked by the letter "F" cause temporary shut-down, and are reset automatically as soon as the value returns within the boiler's normal operating range.

The anomalies marked by the letter "A" cause a shut-down of the boiler which can be reset by the user. To reset operation, press the **R** (reset) button.

If the problem persists, or for any other anomalies, please refer to the "troubleshooting" chapter in this manual for more details.

## Time Clock

A 24 hour time clock is fitted to the boiler to control the central heating, this will come into operation when the selector switch is turned to the position marked "heating timed and hot water".

	<b>A</b> Slide switch: set clock - auto - set programme
	<b>B</b> Display. Symbol  in Display = Timer ON
	<b>P</b> Select programme ON/OFF 1.....8
	<b>D</b> Push buttons Time + Time -
	<b>E</b> Override: Boiler will switch ON if it is OFF; and OFF if it is ON
	<b>F</b> I=Heating continuous - AUTO=Heating timed - O=Heating disabled

**R** Reset (with pencil) only with switch **A** in set clock position

### To set time of day

- Slide switch (**A**) to left position
- Using button + and - adjust until the correct time is shown on display (**B**).

**Pre Set Programmes.** The timer is pre programmed with 3 ON and 3 OFF times.

6:30 - 8:30
12:00 - 12:00
16:30 : 22:30

If these are suitable no programming is required and the slide switch (**A**) can be moved to the Auto position and the central heating will be ON for these periods.  
(12:00 - 12:00 will not switch on the boiler)

### To Set Own ON and OFF times. Symbol in Display = ON time

- Slide switch (**A**) to right position (**P**)

Display

- Press button (**P**)

Display

- Press button (**P**)

Display

- Press button (**P**)

Display

- Press button (**P**)

Display

- Press button (**P**)

Display

- The timer can be programmed with up to 8 ON and 8 OFF times by repeating the above procedure.

- Use buttons + and - to set 1st ON time eg. 6:00

Display

- Use buttons + and - to set OFF time, eg. 9:00

Display

- Use button + and - to set 2nd ON time, eg. 12:30

Display

- Use button + and - to set 2nd OFF time eg. 14:00

Display

- Use button + and - to set 3rd ON time, eg. 16:00

Display

- Use button + and - to set 3rd OFF time eg. 23:30

Display

- On completion of programming slide switch (**A**) to Auto position, the time of day will be displayed and the central heating will switch ON and OFF according to the programme set.

### Over ride

By pressing the over ride button (**E**) the timer programme is over ridden ie, if programme is in OFF time it will come ON and if in ON time will go OFF.

The timer will revert back to it set programme on reaching the next ON or OFF time.

When the programme is on over ride the sign will be shown in the display window (**B**).

### Reset Button

By the use of a pencil the reset button can be pushed (**R**). This will clear all programmes apart from those factory pre set.

**Reset is only possible with switch (A) in set Clock position!**





**Should you require help with any difficulties  
call our Technical Service Helpline on  
08707 282 885**

**Phone numbers:**

**Installer** \_\_\_\_\_

**Service Engineer** \_\_\_\_\_

**BECAUSE OF OUR CONSTANT ENDEAVOUR FOR IMPROVEMENT DETAILS  
MAY VARY SLIGHTLY FROM THOSE QUOTED IN THESE INSTRUCTIONS.**



**ALL SPECIFICATIONS SUBJECT TO CHANGE**

**Please note** - to avoid incurring unnecessary expense, in the event of a boiler shut down, check this is not caused by lack of electricity supply, gas supply or low water pressure before calling our Customer Service Helpline.

**Lichfield Road, Branston Industrial Estate, Burton Upon Trent, Staffordshire DE14 3HD  
Tel. 08707 282 885 - Fax 08707 282 886**