

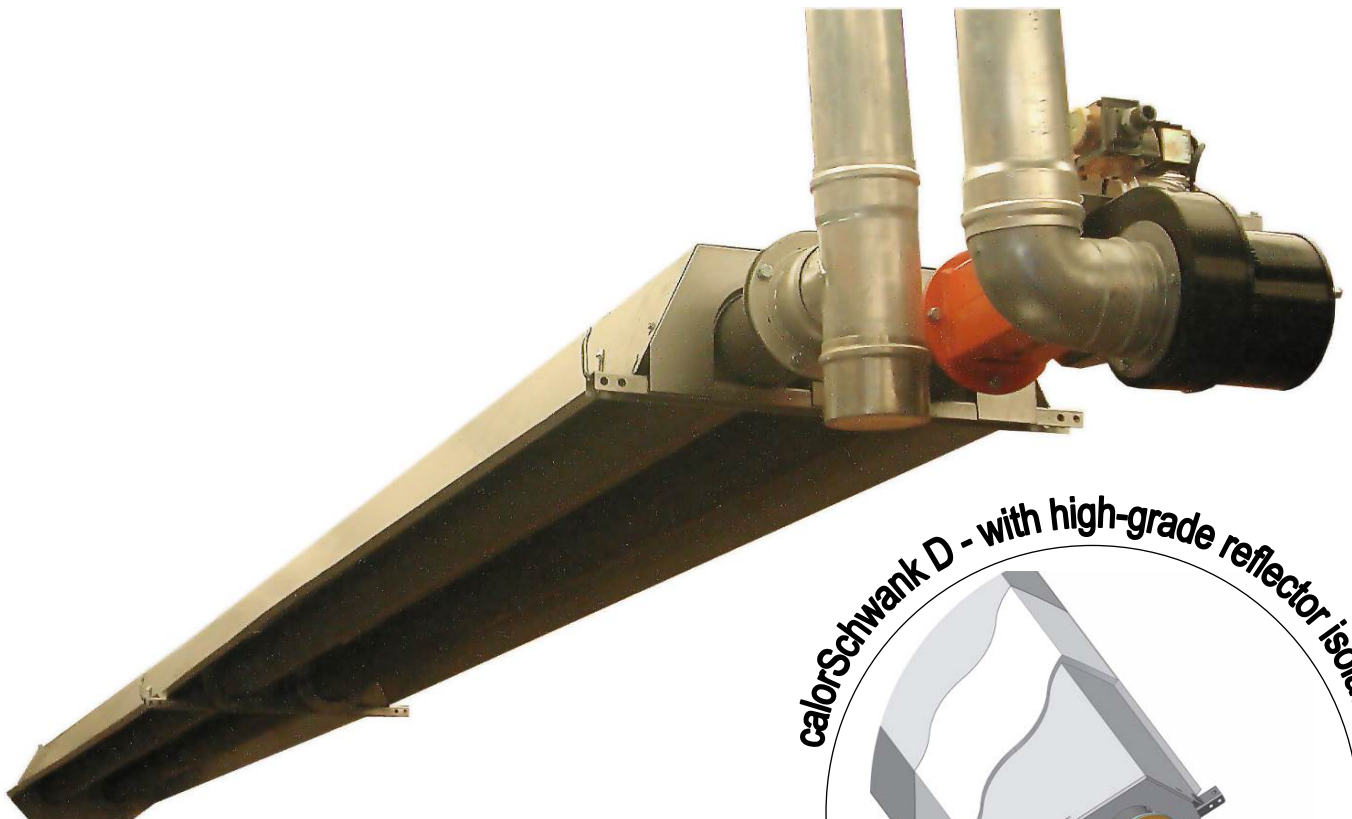


infraSchwank D / calorSchwank D

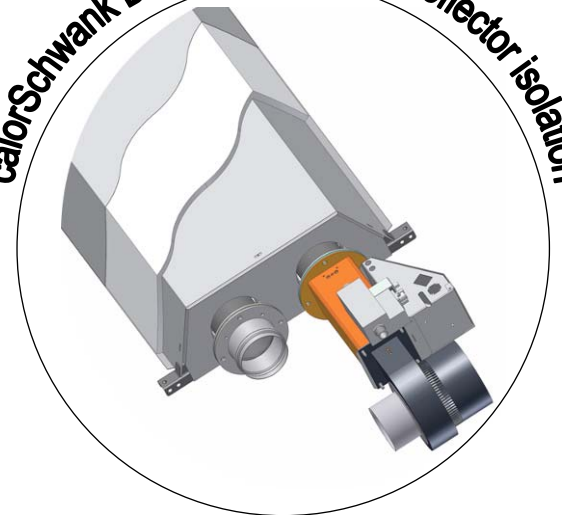
Radiant Tube Heater

15 U / 20 U / 30 U / 40 U

with single-, two-stage or modulating operation



calorSchwank D - with high-grade reflector isolation



Technical Manual



AGA Certificate 7652



0085BO0037

Technical Instructions
Operating Instructions
Legal Requirements
Assembly Instructions
Installation Instructions
Commissioning
Service Guide

Contents

1	Introduction	3
2	Your Safety	3
	Notes for your safety	3
3	Scope of Delivery	4
4	Planning	6
	Position of suspension	6
	Positioning	7
	Air supply / Exhaust Requirements	8
5	Legal Requirements	15
6	Operating	15
	Switching on the heater	15
	Switching off the heater	15
	Fault	15
	Maintenance	15
7	Technical specification	16
	Technical data	18
8	Operating description	19
9	Assembly instructions	20
10	Installation instructions	24
	Gas-pipe-system and mounting of heaters	24
	Electrical installation (wiring diagram)	26
11	Commissioning instructions	29
	Adjusting nominal thermal load at single-stage operation	29
	Adjusting thermal load at two-stage operation	30
	Adjusting thermal load for modulating operation	31
12	Service guide / Trouble shooting	32
13	Change of gas family	33
14	Accessories	34
	Ball guards	34
	Reflector elongation	37
	Set angled mounting tubes	37
	Water protection cover	38
	Gas filter - groups	39
15	Spare parts	40
	Spare parts infra D / calor D 15-40U	40
	Spare parts burner unit infra D / calor D 15-40U	41
16	AGA Certification	42
17	EC type examination certificate	43
18	EC declaration of conformity	45

SCHWANK GmbH

Bremerhavener Str. 43 • 50735 Cologne • Germany

Postfach 62 02 49 • 50695 Cologne • Germany

Tel.: + (49) (0) 221- 7176 0

Fax: + (49) (0) 221- 7176 288

Internet: www.schwank.de

Schwank companies in: Austria ▪ Benelux ▪ Canada ▪ Czech Republic ▪ France ▪ Germany ▪ Great Britain ▪ Hungary
▪ Poland ▪ Romania ▪ Russia ▪ USA ▪ Distribution in more than 40 countries worldwide

1 Introduction

Thank you for choosing a high efficiency SCHWANK radiant tube.

Your infraSchwank D / calorSchwank D is a modern and low-pollution tube heater for economic and comfortable heating of industrial and commercial buildings.

The design and operation of the heater are according to the requirements of the existing standards.

Please read this manual carefully before using the heater. Please follow carefully all instructions and warnings. The manufacturer will not be held responsible for damages resulting from installation errors or failure to comply with the manufacturer's instructions.

Grey marked text shows information to two-stage or modulating operation for tube heaters infraSchwank D / calorSchwank D

Follow carefully all warnings in chapter 2 "Your Safety".

These tube heaters are constructed exclusively for the application of large industrial and commercial space heating. Any other use is not permitted and therefore Schwank is not liable for any improper use.

2 Your Safety

You will find the following symbols in this manual:



Danger!

Note that you and others can be hurt.



Attention!

Note that the appliance can be damaged.



Danger!

Note that electrical shocks can be very dangerous. Pay attention while working on the electrical equipment.



Advice!

You find additional instructions about the application/handling of the heater.

Notes for your safety

This appliance is designed according to the requirements of the existing standards. Nevertheless it is possible that dangers for you and others result from the installation and/or operating errors.

To avoid this, please read and follow the instructions carefully.

General Notes

Only use the radiant tube if it is in a technically faultless condition.

This manual is an integral and essential part of the product and must be given to the user. Keep the manual near the heater.

Any person pursuing any of the following tasks must read this manual:

- operating
- assembling
- installation
- commissioning
- maintenance / trouble shooting

You need an explicit permission from the manufacturer for any kind of changes and reconstruction.

Use original spare parts only.

Safety for the electrical equipment

Danger of electrical shocks!

Electrical shocks can be very dangerous!

The electrical installation must be carried out by a qualified service engineer following the existing national and international standards.

Check the electrical equipment regularly.

Defect wires etc. must be replaced immediately.

The appliance must be cut off from the power supply while working with the electrical equipment. Make sure that nobody can connect the appliance to the power supply while you are installing or maintaining the unit.

After-sales Service

For all installation operations, start-up, gas changes, etc. always consult a qualified service engineer.

In case of doubt, please contact:

Mr. John Balass

Devex Systems Pty Limited

5/83 Bassett St

Mona Vale NSW 2103

Tel: 02 9997 2811

Fax: 02 9997 7852

E-mail: info@devexsystems.com.au

3 Scope of Delivery

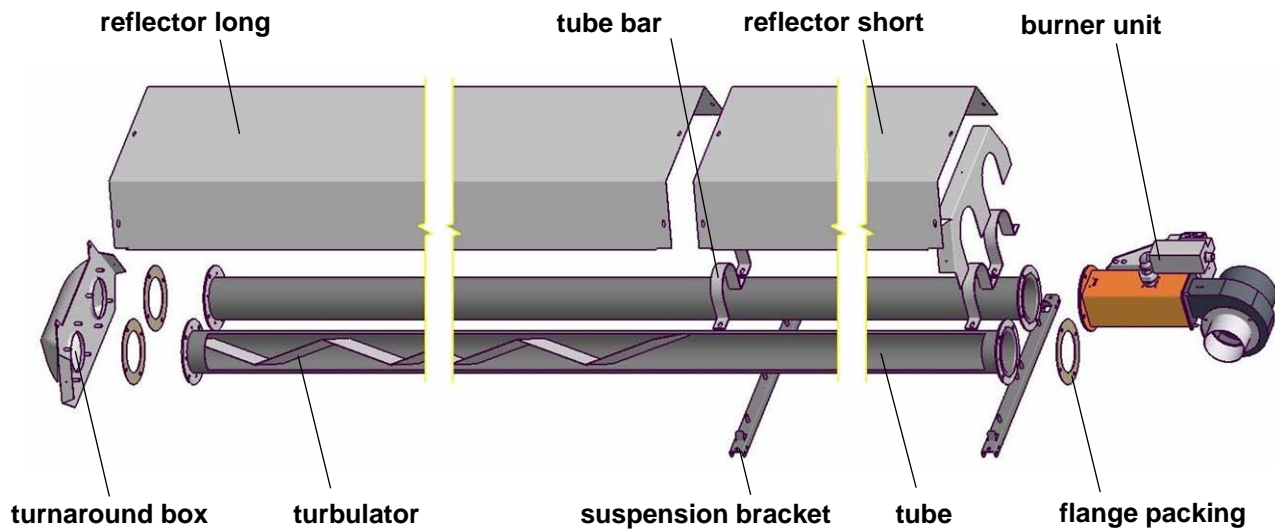


Fig 1: Radiant tube infraSchwank D / calorSchwank D 20U

Scope of Delivery

The radiant tube infraSchwank D / calorSchwank D consists of:

- Burner-unit with gas-burner, pre-mixing chamber, ignition and control unit, firing device, gas combination valve (single-, two-stage or modulating), air differential pressure switch, electrical plug connection and fan
- Radiant tubes with turnaround box, flange packing
- Corrosion resistant reflector with end cap and brackets for hanging (calorSchwank D: isolated reflectors)

Accessories

- Control box with on/off switch and indicator lamp
- Temperature regulating device
- Gas cock (gas connection)
- Gas hose connection
- Gas filter
- Supply air- / exhaust flue-system
- Brackets for wall mounting of angled position (15-30°) for infraSchwank D / calorSchwank D
- Flue gas adapter
- Ball protection grids (for sport halls)
- Reflector elongations
- Set for angled mounting
- Water protection cover (stainless steel)

Structure of the burner unit

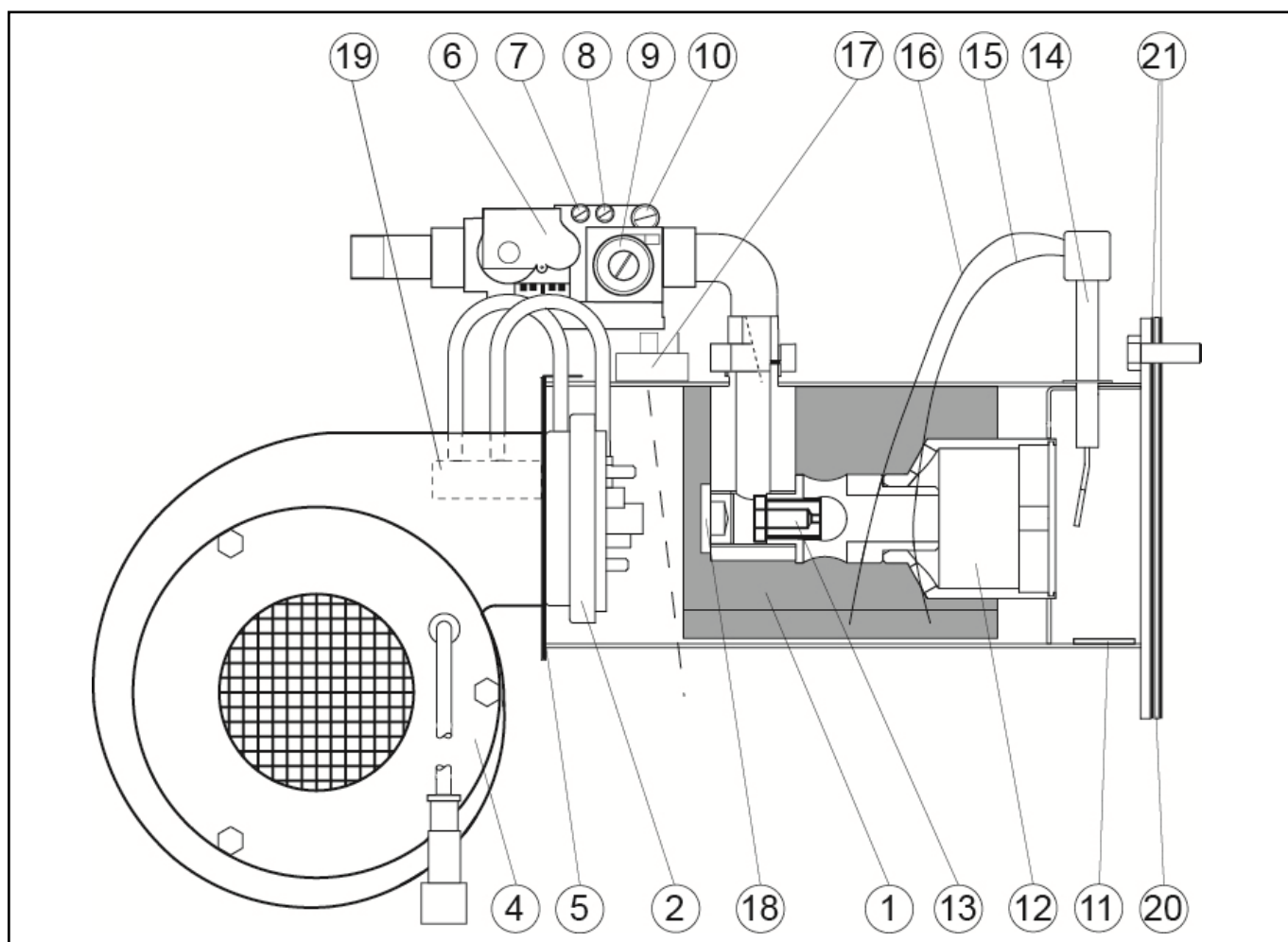


Fig. 2: Burner unit

- | | |
|--|---|
| 1. Controller | 14. Ignition and ionisation electrode |
| 2. Air differential pressure switch | 15. Ignition cable |
| 3. Fan air restrictor plate | 16. Ionisation cable |
| 4. Fan | 17. 3-pin power supply socket |
| 5. Air baffle plate (only 15 / 20 / 30 / 40U) | 18. Locking screw |
| 6. Gas combination valve
(single-, two-stage or modulating) | 19. Venturi |
| 7. Test nipple connection pressure | 20. Burner baffle (only 15 / 20 / 30 / 40U) |
| 8. Test nipple nozzle pressure | 21. Gasket |
| 9. Adjustment screw nozzle pressure | |
| 10. Adjustment screw start step valve | |
| 11. Inspection glass | |
| 12. Burner cup | |
| 13. Burner nozzle | |

4 Planning

Room temperature control

Radiant tube heating-systems must be equipped with a temperature control.

Section heating is allowed without temperature control.

Position of suspension

Suspension height

Radiant tubes must be positioned so that no one in the radiation area is exposed to an extreme high heat level. This is ensured when the minimum suspension heights shown in the following table are adhered to:

Nominal thermal load in MJ/h (type)	Suspension height in m (max. radiation 200 W/m ²)	
	A = horizontal	B = angled (30°)
60 (15U)	3.5m	3.1m
75.9 (20U)	4.0m	3.6m
115.9 (30U)	4.8m	4.3m
155.8 (40U)	5.5m	4.9m

Tab 1: Minimum suspension heights

Key: A = Minimum height when hanging horizontally
B = Minimum height when hanging angled

Type	a [cm]	b [cm]		c [cm]	d [cm]	
		infra	calor		infra	calor
15 U	110	20	10	50	15	15
20 U	110	20	10	50	15	15
30 U	130	20	10	50	15	15
40 U	170	25	10	50	25	15

Tab 2: Safe distances

Key:
a = Minimum radial safety distance (inside radiation area)
b = Minimum upper safety distance when hanging horizontally
c = Minimum upper safety distance when hanging angled
d = Minimum lateral distance to supply pipes outside radiation area

Distances to flammable materials in the radiant area

Radiant tubes must be positioned so that the surface temperature of

- components with flammable materials,
- flammable equipment, stored flammable materials not exceed 65°C above ambient.



Do not place articles on or against this appliance.

Do not use or store flammable materials near this appliance.

Do not spray aerosols in the vicinity of this appliance while it is in operation.

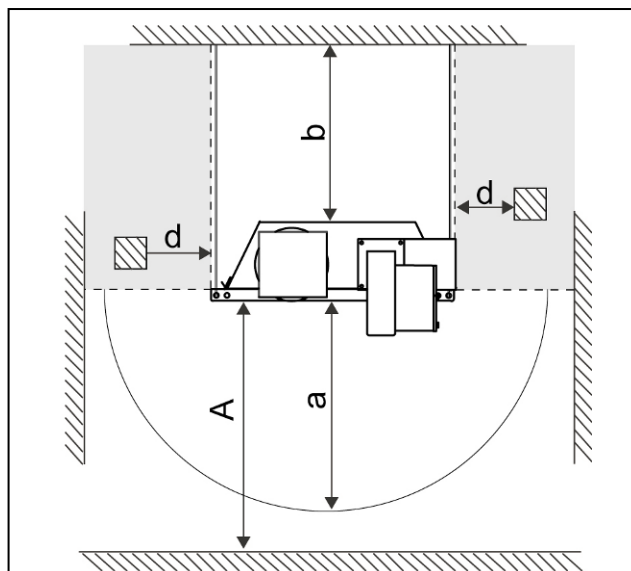


Fig 3: Suspension heights and distances for horizontal application

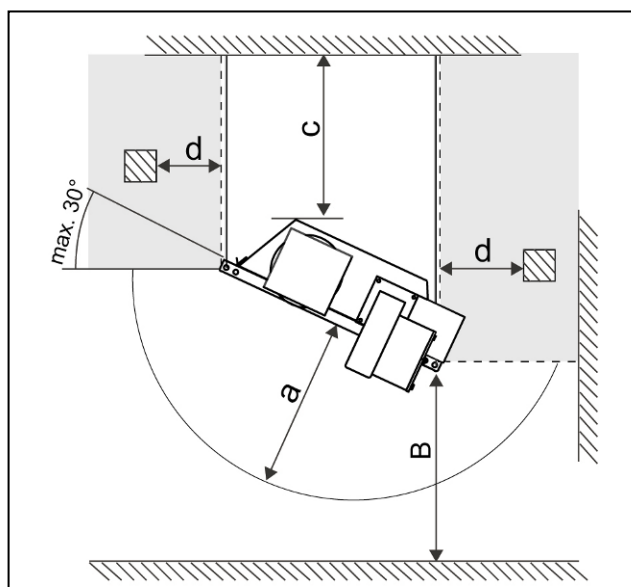


Fig 4: Suspension heights and distances for angled application

Direction of radiation

Radiant tubes infraSchwank D / calorSchwank D can be positioned horizontal or at an angle (max. 30° from vertical). For this purpose suspension steel chains and cables are installed at the suspension brackets.

Positioning

The radiant tube can be mounted with

- chains (links min. 4 mm)
- adjustable steel cable (Schwank accessories)

If you chose chains please use bolts with lock nuts for fixing the chain to the suspension bracket.



The radiant tube has to be fixed by vertical chains etc. to the roof or to supporting devices.

Chains and steel cables have to be fixed in vertical direction or slightly diagonally outwards above the fixing points of the suspension brackets to the roof or to supporting devices. Fixing of the suspension cables or chains diagonally inwards to the centre of the heater is not permitted (see Fig 5).



Please note that the radiant tube being in operation expands several centimetres because of thermal expansion. Avoid therefore inflexible suspension.

Do not use fixing elements like open hooks etc.

Hang the heater in balance. We recommend the use of turnbuckles or adjustable steel cable grips for ease of adjustment and balance.

Fixing points for chains or steel cables on the heater are shown in Fig. 13 and 14 on pages 16 and 17.



Attention!

If you do not align the burner unit correctly the device can be damaged.

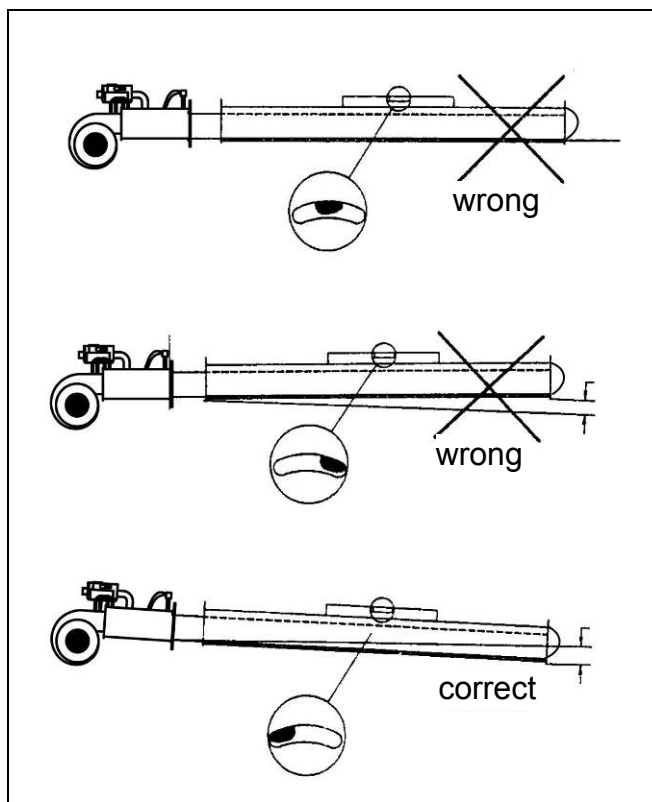


Fig 6: Slope of radiant tube heater



SCHWANK GmbH will not accept liability for damages caused by incorrect mounting of the burner unit. Correct mounting is the responsibility of the installer.

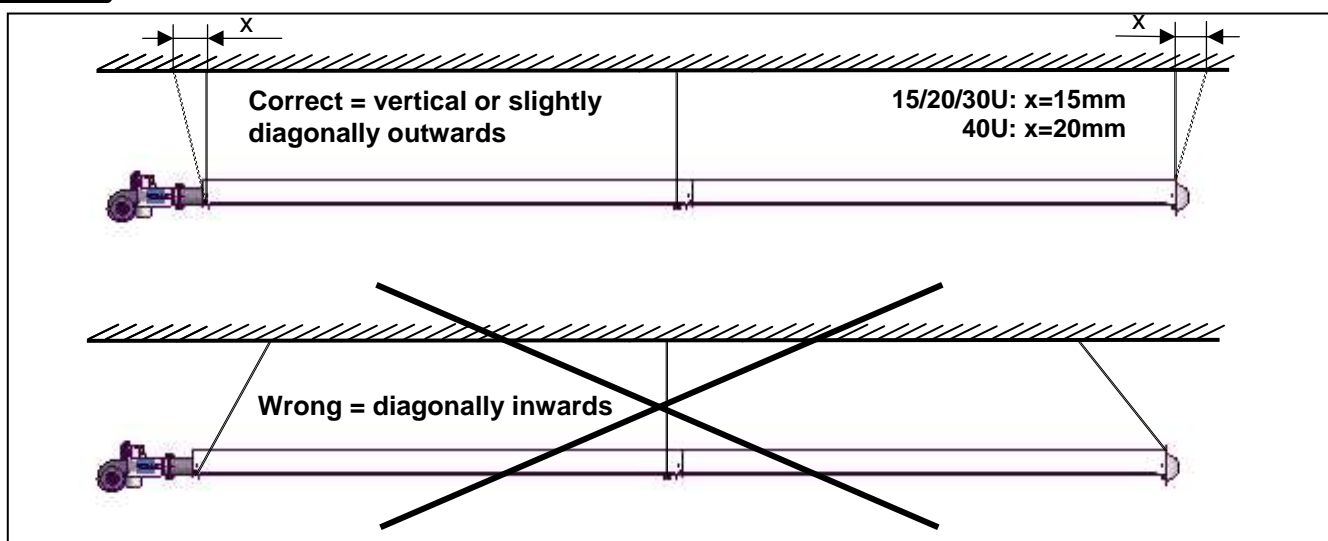


Fig 5: Chains and steel cable mounting

Air supply / Exhaust Requirements

The calculation of air supply / exhaust requirements of a building heated by radiant tube heaters is subject of Australia Standard AS 5601. Please follow local by-laws as well.

Please see the max. lengths of combustion air supply- and exhaust flue pipe on page 9 (Tab 3, page 9).

Place of Installation

The room to be heated must have an air volume of minimum 10 m³ for each kW of the nominal thermal load of the installed heater.

Air supply (combustion air from inside the room, types A3 and B23)

Heating installations with combustion air from inside the room are only allowed in rooms without string air pollution. Otherwise use system with combustion air from outside (type C).

In halls and buildings with a normal air change by means of joints and gaps it is not necessary to install additional equipment to ensure combustion air supply.

Air supply / exhaust systems

For the radiant tube infraSchwank D / calor SchwankD the following air supply / exhaust systems are possible:

1. **Indirect flue into the room**
(Type A3 without exhaust system, combustion air from inside the room)
2. **Flued with individual exhaust system,**
combustion air from inside the room
(Type B23)
3. **Flued with individual exhaust system,**
combustion air from outside the room
(Type C)
4. **Flued with flue collecting system and central flue fan – combustion air either from inside or from outside**
(according to EN 777, Type D)

1. **Indirect flue into the room**
(Type A3 without exhaust system combustion air from inside the room)

The exhaust air of the tube heater has to be conducted from the inside of the room to the outside.

Conduction of the exhaust air may be carried out with one of the following 3 methods:

- a) **Thermal ventilation: Combustion air and exhaust air are to be conducted through fixed outlets positioned on the roof or on the walls of the building.**
- b) **Mechanical ventilation: Combustion air and exhaust air are to be conducted through**
one or more fans positioned on the roof or on the walls of the building.
- c) **Natural ventilation: Combustion air and exhaust air are to be conducted through outlets as a result of differences in pressure and in temperature between the internal and external side of a building.**



For exact dimensioning and positioning of supply air and exhaust air outlet of the building according AS 5601 or please contact Schwank GmbH

2. Exhaust flue with individual exhaust system - combustion air from inside the room (Type B23)

Only use this system in rooms with no air pollution and without relevant pressure differences to outside. Otherwise use type C.

3. Exhaust flue with individual exhaust system - combustion air from outside the room (Type C)

Combustion air and exhaust air are to be conducted by a temperature stable, concentric pipe from a wall or roof entrance.

Max. length of the concentric pipe can be 6 m plus two 90° elbows.

The concentric pipe ends at a bifurcated pipe. Please ensure that the connection for exhaust air between heater and bifurcated pipe is a flexible pipe. Do not use back-pressure valves or dampers in the exhaust flue.

4. Exhaust flue with flue collecting system and central flue fan (according to EN 777, Type D)

The heating installation must not exceed 10 radiant tubes. The exhaust air of each tube is collected via a central collecting tube system by a central flue fan and led to the chimney. Planning, construction and layout of such installations must be carried out by Schwank employees, as well as commissioning. The strict observance of the Schwank layout-drawings and calculation figures are the precondition of the manufacturer's warranty.

If the radiant tubes will be installed *without* their individual flue fans, please note that it could be necessary to install in the collecting tube behind each radiant heater a damper or a pressure-balancing device. This ensures a precise regulation and an even exhaust flue of each radiant tube.



See technical instruction infraSchwank D / calorSchwank D with flue collecting system

infraSchwank D/ calorSchwank D, shape U		
Max. length between heater and roof/wall entrance	max. number of elbows (90°)	Ø of air/exhaust flue
6 m	2	100 mm

Tab 3: air / exhaust flue

Version 005 infra_calor_D shape U Australia 42/14 Technical specification subject to change

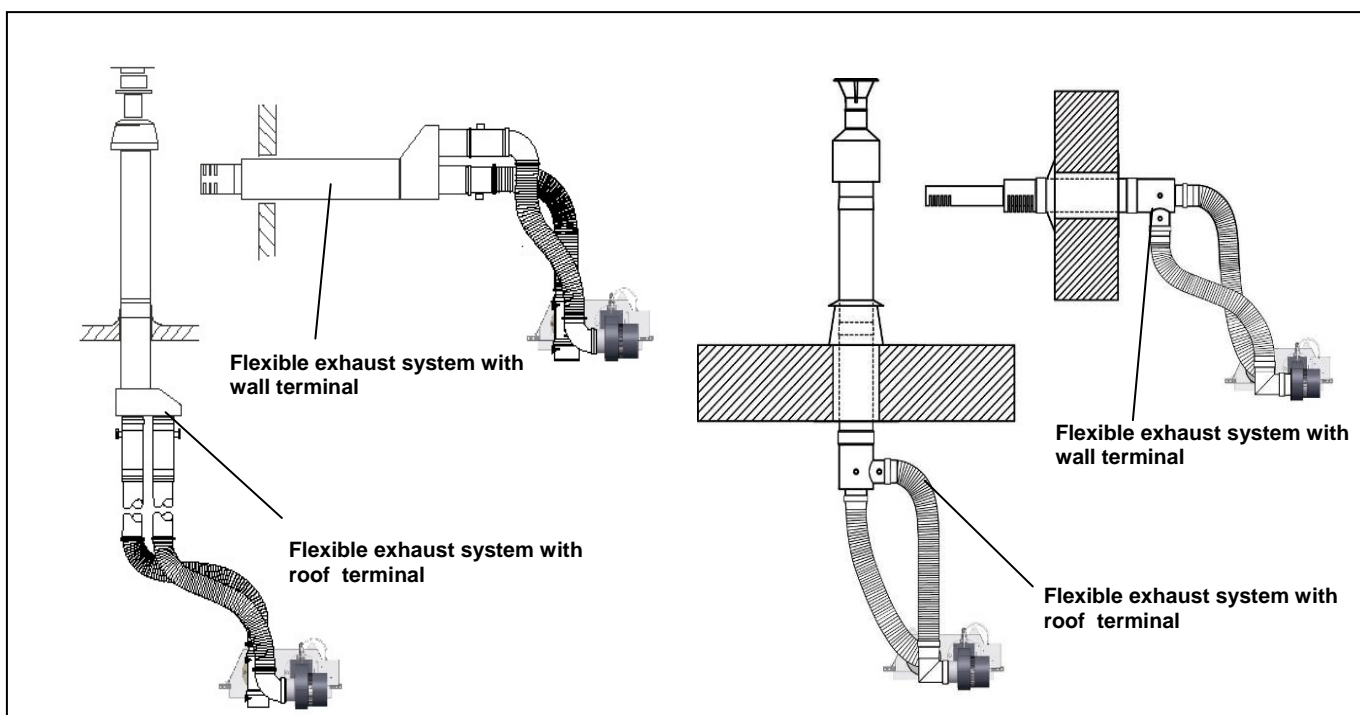


Fig. 7: Air/exhaust-system, version aluminium or stainless steel

Indirect flue into the room with flue gas diverter



Installation with indirect flue into the room must be mounted with flue gas diverter to avoid flow back of flue gas in combustion air stream.

Note that the flue gas diverter (code no. 126 7018 0) is mounted in a position so that the flue gas is diverted from the burner.



To prevent CO₂ impingement on wall when configured as an indoor flue less appliance a clearance of 1200mm from the flue outlet is required.

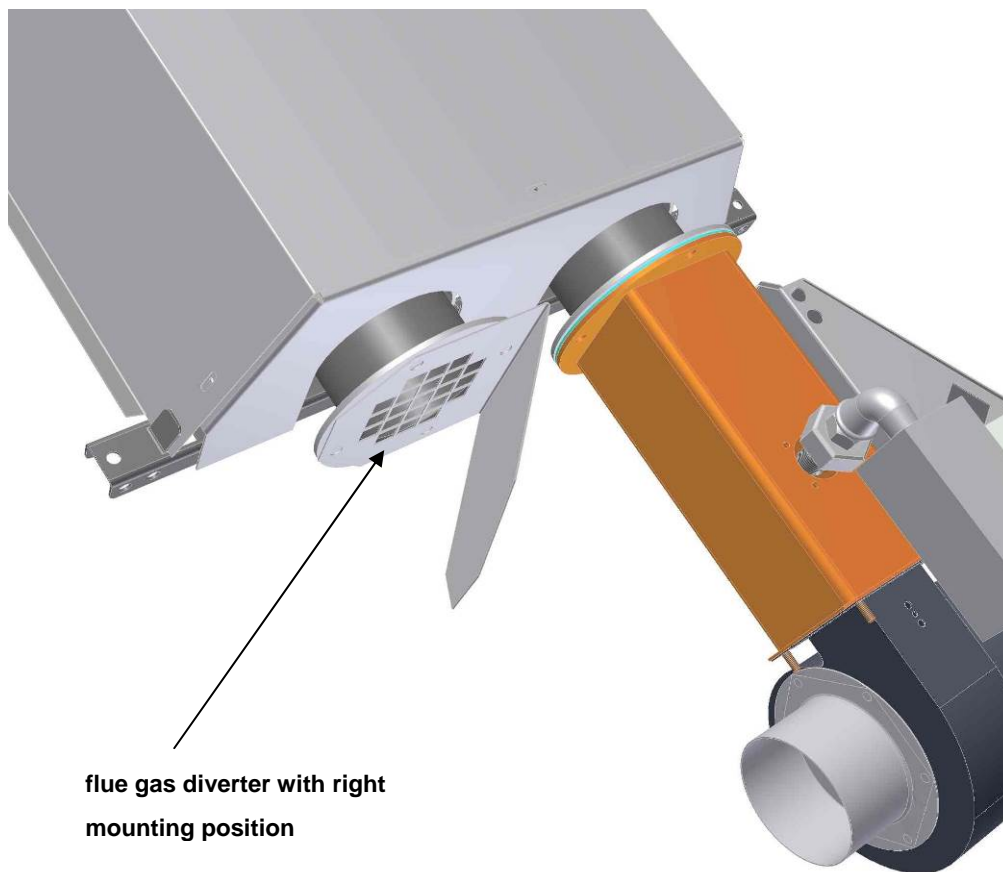


Fig 8: Flue less appliance with flue gas diverter

Flexible exhaust system infraSchwank D / calorSchwank D 15-40U (wall terminal)

- version aluminium -



The stainless flexible pipe (exhaust line) must be installed uncut for the heater 40U. Make sure that there is no sink in the pipe.

All socket connections on the exhaust and air line must be locked by means of self-tapping screws.

The wall terminal is mounted with a small gradient to outside to prevent intrusion of driving rain.

The 90° elbow at the sucking fan side is to mount with the opening on the top.

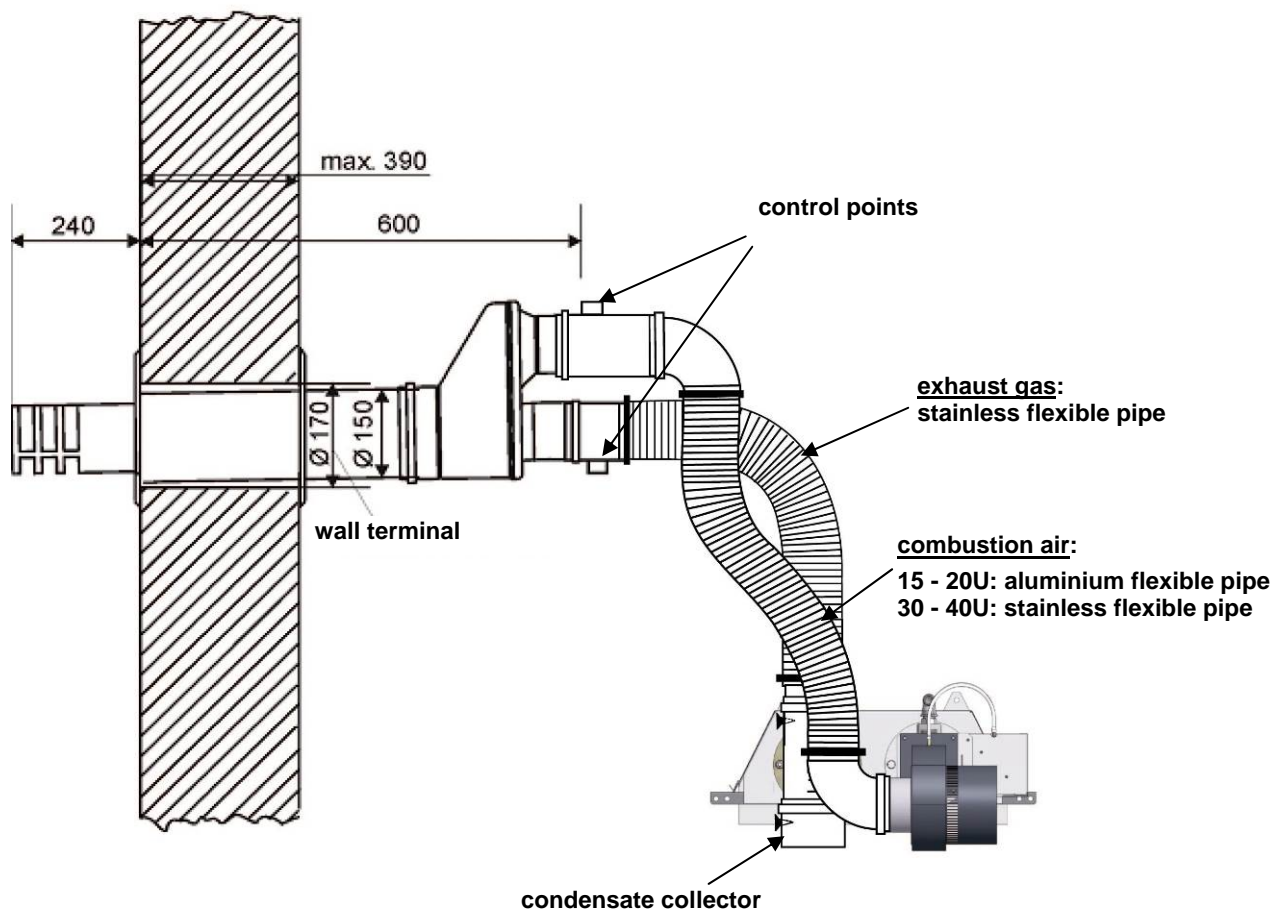


Please note the safety distance to flammable materials:

- single-wall exhaust pipe: 40mm
- double-wall exhaust pipe + wall terminal: 0mm



System certification tube heater infraSchwank D / calorSchwank D with exhaust line system CE 0432-CPD-217915, System 0.2 / 0.5 (Muelink&Grol)



Version 005 infra_calor_D shape U Australia 42/14 Technical specification subject to change

Fig 9: Position of control points 15 – 40U (wall terminal), version aluminium

Flexible exhaust system infraSchwank D / calorSchwank D 15-40 U (roof terminal)

- version aluminium -



The stainless flexible pipe (exhaust line) must be installed uncut for the heater 40U. Make sure that there is no sink in the pipe.

All socket connections on the exhaust and air line must be locked by means of self-tapping screws.

The 90° elbow at the sucking fan side is to mount with the opening on the top.



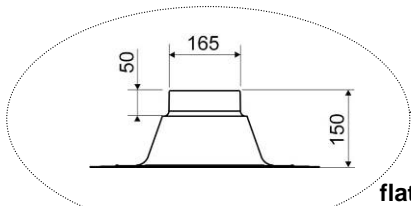
Please note the safety distance to flammable materials:

- single-wall exhaust pipe: 40mm
- double-wall exhaust pipe + wall terminal: 0mm

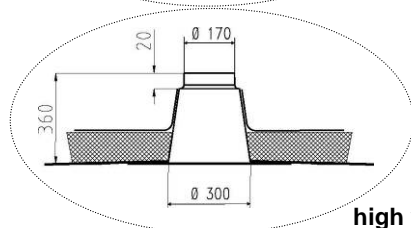


System certification tube heater infraSchwank D / calorSchwank D with exhaust line system CE 0432-CPD-217915, System 0.2 / 0.5 (Muelink&Grol)

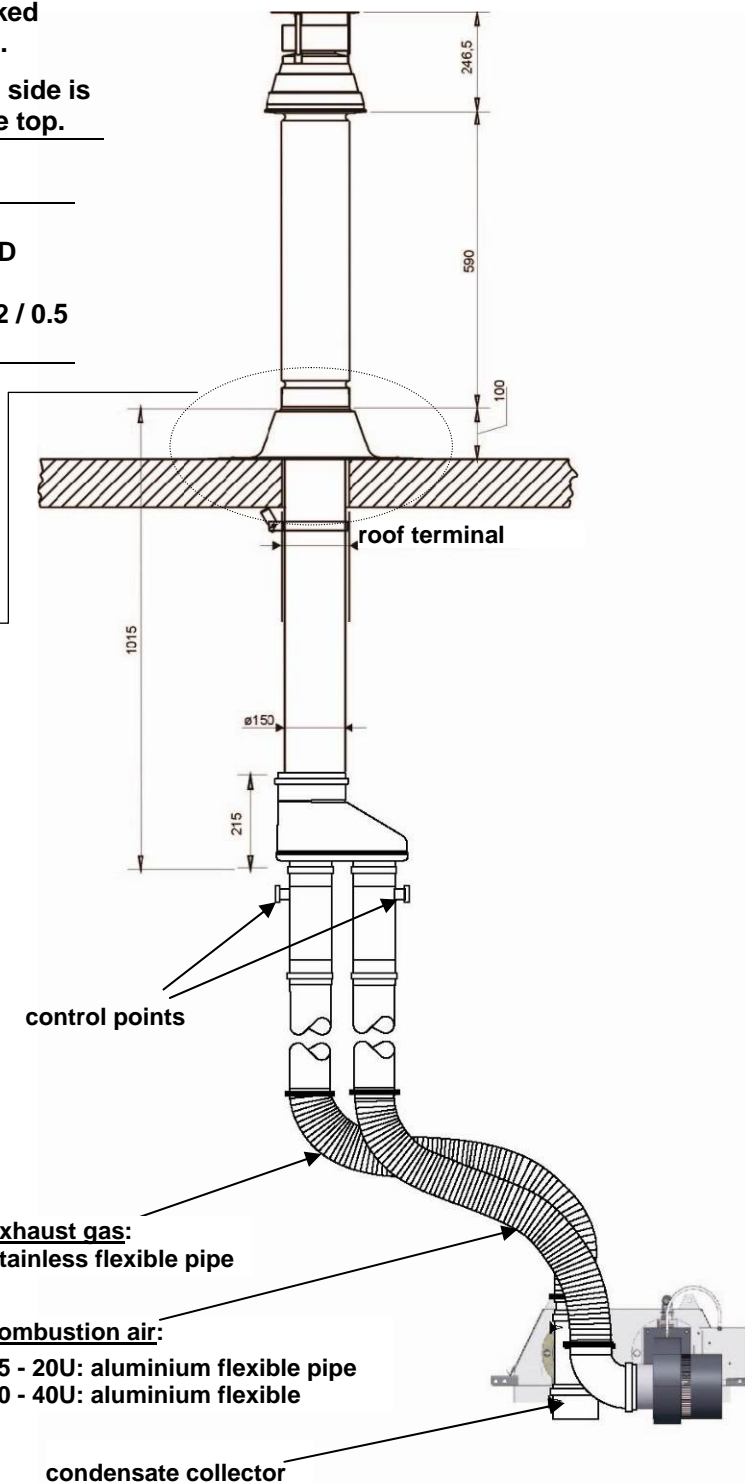
dimensions flat roof sockets



flat version



high version



Version 005 infra_calor D shape U Australia 42/14 Technical specification subject to change

Fig 10: Position of control points 15 – 40U (roof terminal), version aluminium

Flexible exhaust system infraSchwank D / calorSchwank D 15-40U (wall terminal)

- version stainless steel -



Install stainless steel flexible pipe without sink.

Join parts of the roof terminal by compression strongly together!

All joints inside the building tighten securely with clamp fittings!

The 90° elbow at the sucking fan side is to mount with the opening on the top.

The wall terminal is mounted with a small gradient to outside to prevent intrusion of driving rain.



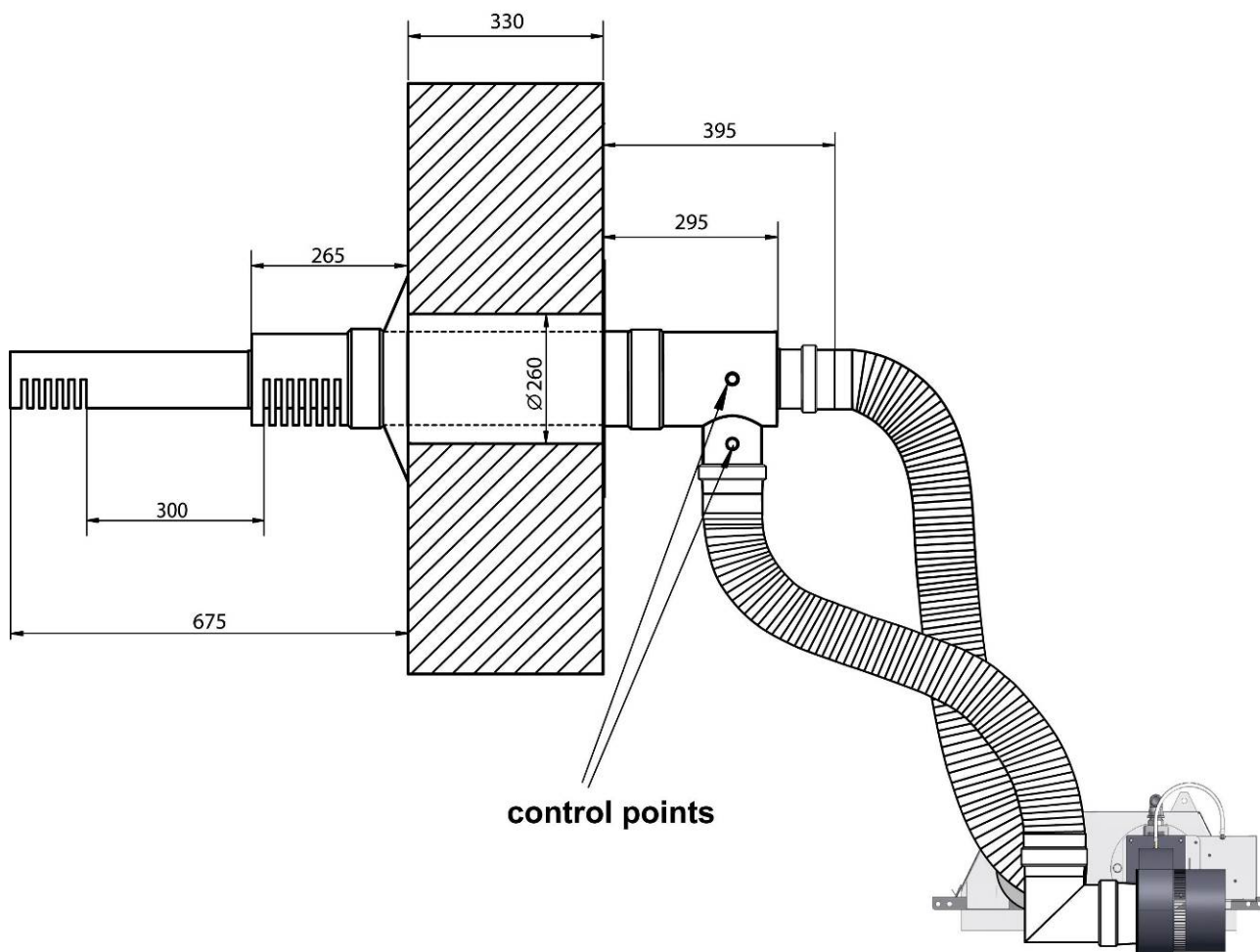
Please note the safety distance to flammable materials:

- single-wall exhaust pipe: 80mm
- double-wall exhaust pipe + wall terminal: 0mm



System certification tube heater infraSchwank D / calorSchwank D with exhaust line system

Future ew	CE 0432-CPD219983 /
Future ew-flex	CE 0432-CPD-219952 /
Future dw	CE 0432-CPD-219996
(Schröder)	



control points

Fig. 11: Position of control points 15 – 40U (wall terminal), version stainless steel

Flexible exhaust system infraSchwank D / calorSchwank D 15-40U (roof terminal)

- version stainless steel -



Install stainless steel flexible pipe without sink.

Join parts of the roof terminal by compression strongly together!

All joints inside the building tighten securely with clamp fittings!

The 90° elbow at the sucking fan side is to mount with the opening on the top.



Please note the safety distance to flammable materials:

- single-wall exhaust pipe: 80mm
- double-wall exhaust pipe + roof terminal: 0mm



System certification tube heater infraSchwank D / calorSchwank D with exhaust line system

Future ew	CE 0432-CPD-219983 /
Future ew-flex	CE 0432-CPD-219952 /
Future dw	CE 0432-CPD-219996

(Schröder)

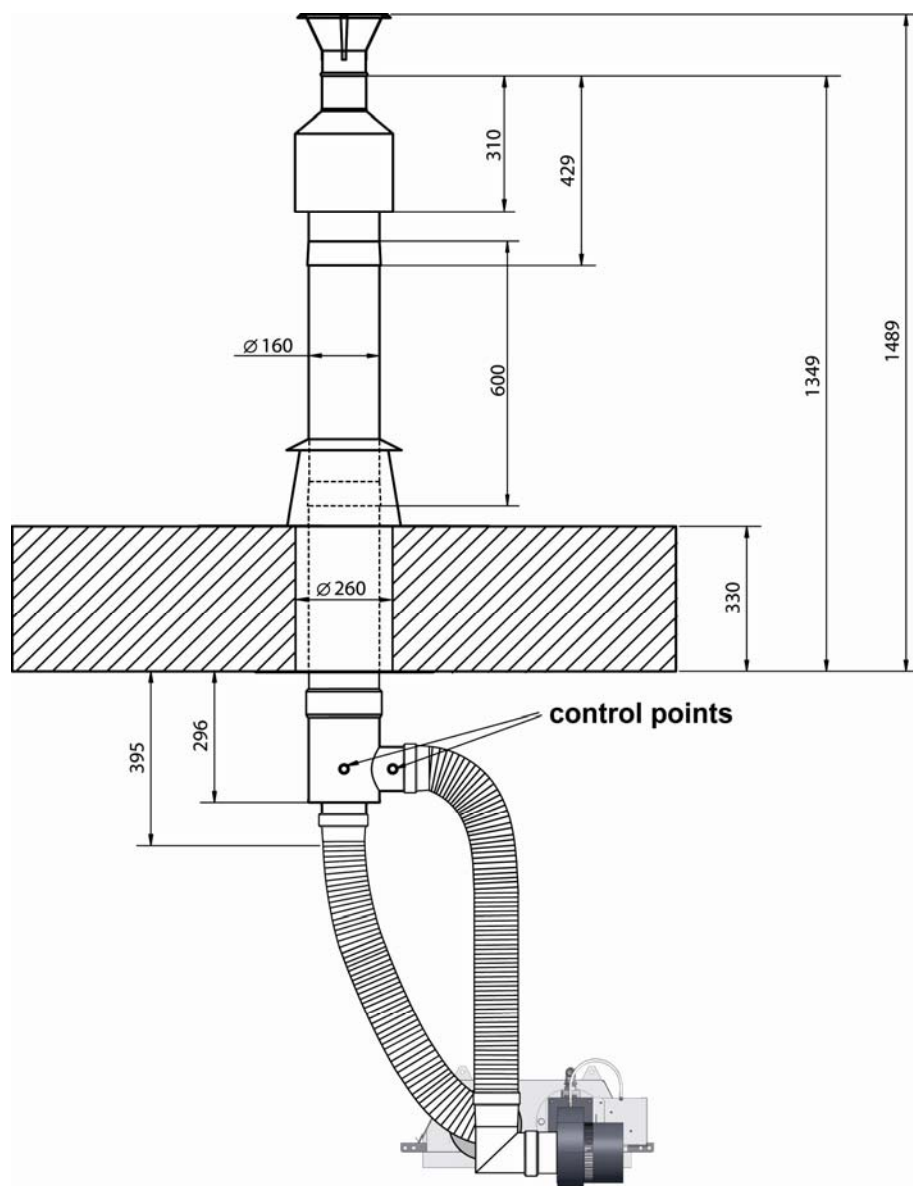


Fig. 12: Position of control points 15 – 40U (roof terminal), version stainless steel

5 Legal Requirements

We recommend that these installation guidelines should be observed with the relevant Building Standards Regulations of your country. Comply with any local by-laws and the current IEE Wiring Regulations.

Notwithstanding their limited scope, the appliance should be installed by a competent person in accordance with the relevant provisions of the Gas Safety (Installation and Use) Regulations. Caution must also be taken of any obligations arising from the Health and Safety of Work Act. Full compliance with all relevant regulations, including amendments in force at the time of installation is a requirement of our warranty.

6 Operating



The installation must be carried out by a qualified engineer following the manufacturer's instructions.

SCHWANK will not accept liability damages caused by improper assembly and/ or operating of the heater. Proper assembly and operation is the responsibility of the user.

Switching on the heater

⇒ Switch on the heater. The main switch is on the control box. After a pre-purge period of about 25 sec. the ignition starts.

Switching off the heater

⇒ Switch off the heater.

If the radiant tube is controlled by a thermostat the heater will be switched on and off automatically.

Fault

If no flame is reported during the pre-purge period and the safety time (approx. 30 sec.) the heater repeats the ignition process. If there is no flame after the second ignition process the radiant tube switches off automatically and is locked.

Investigation and repair must be carried out by authorized personnel. After clearance of the fault the heater can be reset.

Lock release (Reset)

⇒ Interrupt the electric power supply for 3 seconds.

Maintenance



Maintenance and servicing of the appliance must be carried out by authorised personnel and not less than once a year.

Servicing of the heater is essential for continued efficient operation.

After any servicing, the heater must be recommissioned as detailed in **Chapter 12**.

7 Technical specification

Appliance Automatic heating device, heat transfer by mean of infrared dark radiation.

Fuel Types Natural gas
Propane

Minimum connection pressure in front of valve

Type	15-40U
Natural Gas	1.13kPa
LPG	2.75kPa



Attention!
Max. connection pressure
Natural Gas: 5.0kPa

Electrical connection

Single phase A.C. 230 V, N, PE - 50Hz (cycles)
(approx. 80 VA)

Power supply for the heater and fan are connected to the socket of the burner box. To set the burner box free of voltage, it is only necessary to remove the plug of the power supply.

The connection cable for the lifting magnet of 2-stage gas combination valve must connect from the connection box (230 V/50 Hz) to the provided luster terminal inside of the burner unit.

The connection cable for the lifting magnet of modulating gas combination valve must connect direct from the modulation box to the lifting magnet.

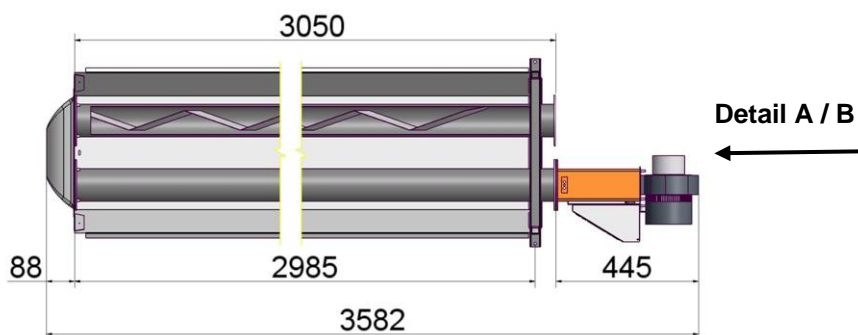
The distance between modulation box and burner unit should be $\leq 1,5m$.

Exhaust gas Connection Flue gas pipe connection \varnothing 100 at exit of tube

Gas connection 15-30U R=1/2" male
40U R=3/4" male

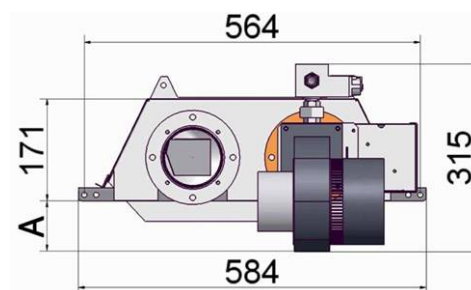
infraSchwank D / calorSchwank D 15U

(all dimensions in mm)



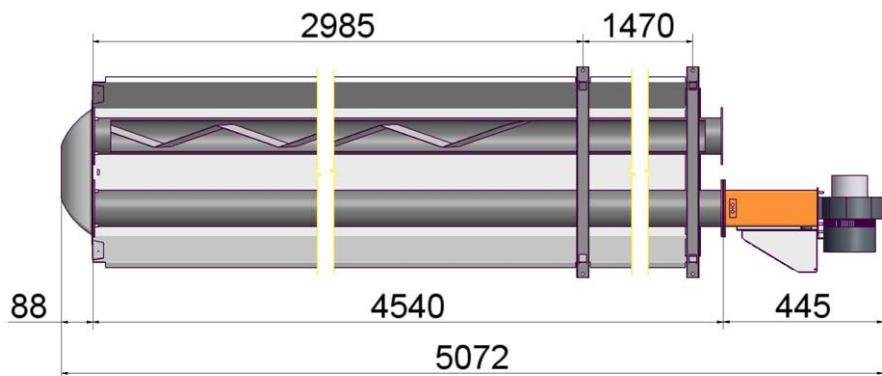
Detail A

Cross dimensions at burner unit
15-40U A=80mm



infraSchwank D / calorSchwank D 20U

(all dimensions in mm)



Detail B

Cross dimensions reflector
valid for all types

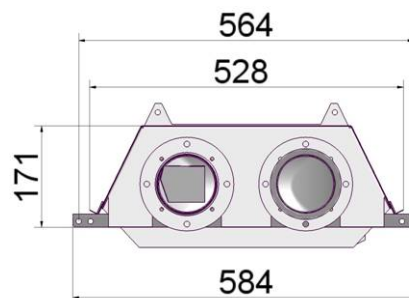
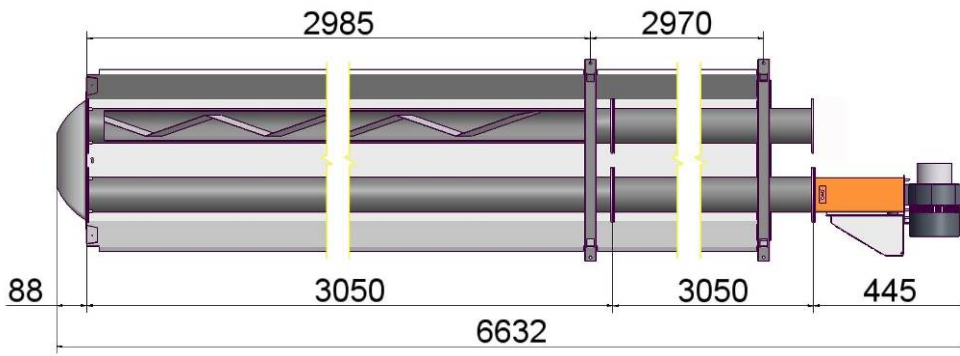


Fig 13: Measurements infraSchwank D / calorSchwank D 15U and 20U (view from below)

infraSchwank D / calorSchwank D 30U (all dimensions in mm)



infraSchwank D / calorSchwank D 40U (all dimensions in mm)

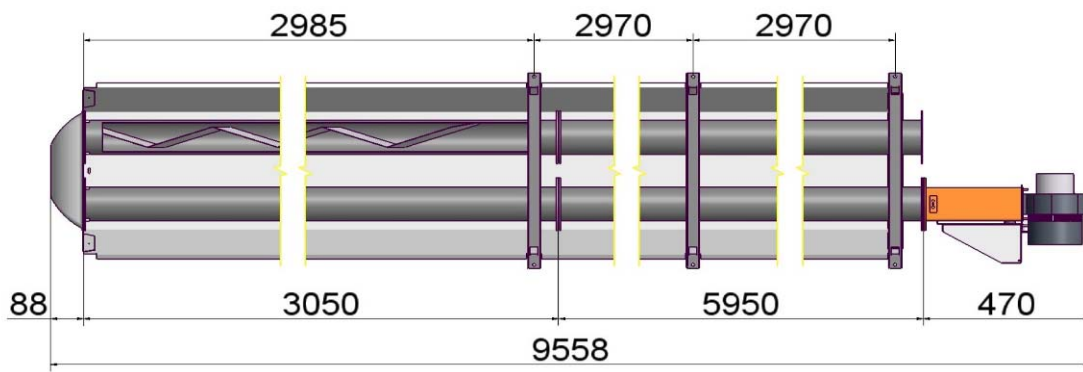


Fig 14: Measurements infraSchwank D / calorSchwank D 30U and 40U (view from below)

Technical data
for single, two-stage and modulating regulation

Gas		infraSchwank D / calorSchwank D			
		15U	20U	30U	40U
1) Natural gas	Gas consumption [MJ/h] single state	59.9	75.9	115.9	155.8
	Gas consumption [MJ/h] 2-stage/modulating max./min.	59.9 - 44.7	75.9 - 57.2	115.9 - 87.9	155.8 - 119.9
2) Propane	Gas consumption [MJ/h] 2-stage/modulating max./min.	58.7	74.4	113.5	152.6
	Gas consumption [MJ/h] 2-stage/modulating max./min.	58.7 - 43.8	74.4 - 56.0	113.5 - 86.1	152.6 - 117.4
Weight infra / calor [kg]		54 / 68	75 / 95	92 / 119	130 / 171
Ø of air/exhaust flue [mm]		Ø 100			
Electrical consumption [W]		104			
Electrical protection		IP 20			
Gas connection (male)		R ¹ / ₂ "		R ³ / ₄ "	
Electrical supply		230 V / 50 Hz ~			
Ignition / Control		Spark ignition and ionisation control by automatic controller system			
CE-Identification		CE - 0085 BO 0037			
AGA Certification no.		7652			

1) H_{i,B} = 37.8 MJ/m³ / 2) H_{i,B} = 95.8 MJ/m³

Tab 4: Technical data infraSchwank D / calorSchwank D

Gas		infraSchwank D / calorSchwank D			
		15U	20U	30U	40U
1) Natural gas	Burner nozzle [mm]	3.75	4.10	5.35	6.25
	cipher burner nozzle	375	410	535	625
	Fan air restrictor plate	D 15	D 20	D 30	D 40
	Air baffle plate	D 15	D 20	D 30 + spin	D 40 U
	Burner baffle plate	Ø 50	Ø 50	Ø 65	/
	Nozzle pressure [kPa] 1-stage	0.87	0.87	0.87	0.83
	2-stage / modulating	0.87 / 0.6	0.87 / 0.6	0.87 / 0.6	0.83 / 0.6
	Start step pressure [kPa]	0.4	0.4	0.4	0.3
Start step adjustment [°]	MIN	MIN	MIN	MIN	
2) Propane	Burner nozzle [mm]	2.30	2.50	3.15	3.60
	cipher burner nozzle	230	250	315	360
	Fan air restrictor plate	D 15	D 20	D 30	D 40
	Air baffle plate	D 15	D 20	D 30 + spin	D 40 U
	Burner baffle plate	Ø 50	Ø 50	Ø 65	Ø 65
	Nozzle pressure [kPa] 1-stage	2.4	2.4	2.4	2.4
	2-stage / modulating	2.4 / 1.4	2.4 / 1.4	2.4 / 1.4	2.4 / 1.4
	Start step pressure [kPa]	1.2	1.2	1.2	1.2
Start step adjustment [°]	MAX	MAX	MAX	MAX	

1) H_{i,B} = 37.8 MJ/m³ / 2) H_{i,B} = 95.8 MJ/m³ *) IA= inlet angle plate

Tab 5: Function parts burner unit infraSchwank D / calorSchwank D

8 Operating description

Start-up

If heat demand exists, the fan will start up automatically. A differential pressure arises in the burner box, which is reported to the ignition unit via the differential pressure switch.

After a pre-purge period of about 25 seconds the automatic ignition starts (max. ignition time 5 sec.). The twin solenoid valve with pressure regulator opens the gas supply to the burner in 2 steps. The burner flame is controlled by an ionisation electrode. The ignition is switched off, if the ionisation electrode reports a flame to the ignition and control unit within the safety time.

If the ignition process fails, the ignition unit repeats the start-up for one more time.

Operation

A very long laminar flame is created in the first tube by the special burner construction. The hot flue heats the tube surface while being fed through the tubes by the fan. The hot tubes emit long-waved infrared radiation which is directed to the room by the reflector construction.

The radiant tube infraSchwank D / calorSchwank D work with a closed combustion system. The combustion air is taken from the room or from the outside. The flue is evacuated indirectly into the room or directly by the exhaust pipe or by a special air/exhaust pipe system.

For optimal adaption of heaters' performance to the heat demand of the building heaters are offered in 2-stage or modulating operation. Start and ignition of the heater has always to be in full load. After a time of minimal 1 minute the heater can be switched to small step.

Fault

If no flame is reported during the pre-purge period (including 1 repetition of ignition process), the ignition unit will switch off the radiant tube and will lock it.

Investigation and repair must be carried out by authorized personnel only. After clearance of the fault, the interlock can be reset.

The lock release can be carried out by an interruption of the electric power supply for 3 sec. A new start-up begins. If no flame signal is reported to the ignition and control unit during operation, the solenoid valve shuts and stops the gas supply immediately. A new start-up process is repeated.



Troubleshooting: page 32

Monitoring of the combustion air supply

The combustion air supply is permanently controlled by the differential pressure switch during the operation. If the differential pressure switch is not in rest position during the start-up the operation will not start. If the operating contact is not closed during the pre-purge the system will set in interference release. If combustion air supply fails during operation (lack of air), the differential pressure switch will close the gas combination valve and stop the gas supply. A new start-up process is to be repeated.

9 Assembly instructions

infraSchwank D / calorSchwank D 15U



Tools you need

- hexagonal wrench or ratchet (width: 10, 13)
- socket wrench (width: 7 and 8)

Note before mounting

- Note the distance measure of suspension brackets.
- Flanges are mounted with flange packing (each 4 screws/washers/lock washers/nuts M8).
- Start mounting the heater at the turnaround box connection.
- Turn welding line of the tubes to the side.
- Tube with turbulator (*with paint mark*) has to be mounted behind the turnaround box (flow direction). The paint mark showing to the turnaround box!
- Tube bars have to be fixed by nuts/lock washers/3D-washers M8 on the suspension bracket.
- First the reflector will be fixed on the U-bend connection by self-tapping screws. For insulated reflectors (calorSchwank D) the reflector end with notch on sides shows to the turnaround box.
- The other reflector ending will be shoved under the clip of the suspension brackets. Reflector and front plate have to be fixed by self-tapping screws.
- Mounting of burner unit with valve on the top.
- **Indirect flue into the room (Type A3):
Flue gas diverter code no. 126 70180**
Note that the flue gas diverter is mounted in a position so that the flue gas is diverted from the burner.

Accessory:

Flue gas adapter code no. 126 7035 0

Adapter is mounted at the end of the tube with gasket.

• **Flue gas connection (Type B23, C): version stainless steel:**

Note that the flue gas flexible pipe is mounted at the end of the tube with gasket.

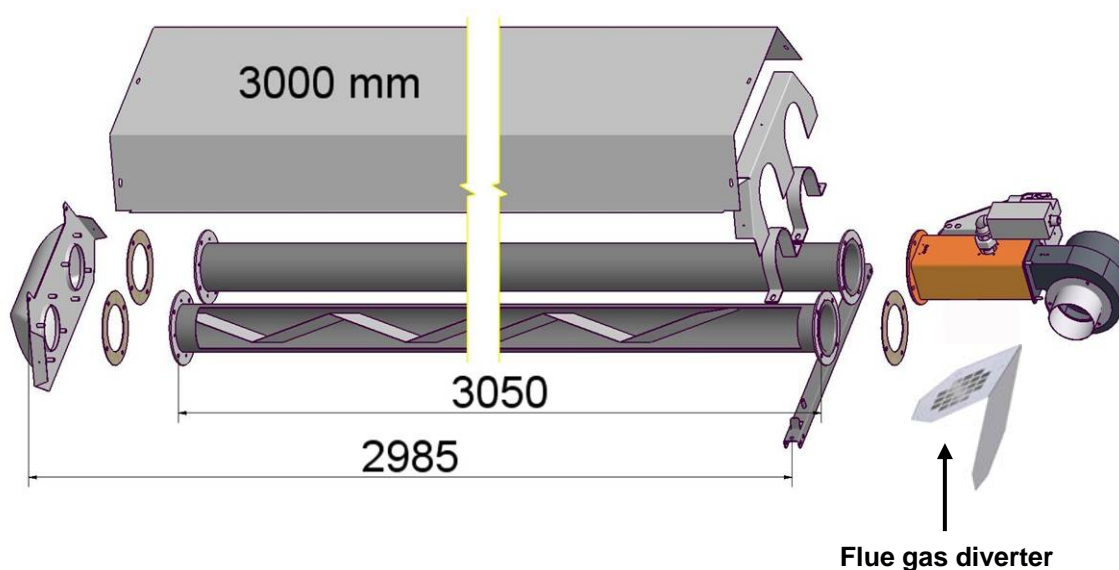


Fig. 15: Mounting of infraSchwank D / calorSchwank D 15U
(all dimensions in mm)

Assembly

infraSchwank D / calorSchwank D 20U



Tools you need

- hexagonal wrench or ratchet (width: 10, 13)
- socket wrench (width: 7 and 8)

Note before mounting

- Note the distance measures of suspension brackets.
- Flanges are mounted with flange packing (each 4 screws/washers/lock washers/nuts M8).
- Start mounting the heater at the turnaround box connection.
- Turn welding line of the tubes to the side.
- Tube with turbulator (with paint mark) has to be mounted behind the turnaround box (flow direction). The paint mark showing to the turnaround box!
- Tube bars have to be fixed by nuts/3D-washers/lock washers M8 on the suspension brackets.
- Start the reflector mounting at the turnaround box connection with the longest reflector L=3000mm. Reflector will be fixed on the turnaround box connection by self-tapping screws. For insulated reflectors (calorSchwank D) the reflector end with notch on sides shows to the turnaround box.
- The other reflector endings will be shoved under the clips of the suspension brackets.
- The short reflector L=1500mm is mounted at the front of the heater.
- Reflectors will be jointly fixed by 3x M 5 screws and self-locking nuts.
- Reflector and front plate have to be fixed by self-tapping screws.
- Mounting of burner unit with valve on the top.
- **Indirect flue into the room (Type A3):**
Flue gas diverter code no. 126 70180
 Note that the flue gas diverter is mounted in a position so that the flue gas is diverted from the burner.
- **Accessory:**
Flue gas adapter code no. 126 7035 0
 Adapter is mounted at the end of the tube with gasket.
- **Flue gas connection (Type B23, C):**
version stainless steel:
 Note that the flue gas flexible pipe is mounted at the end of the tube with gasket.

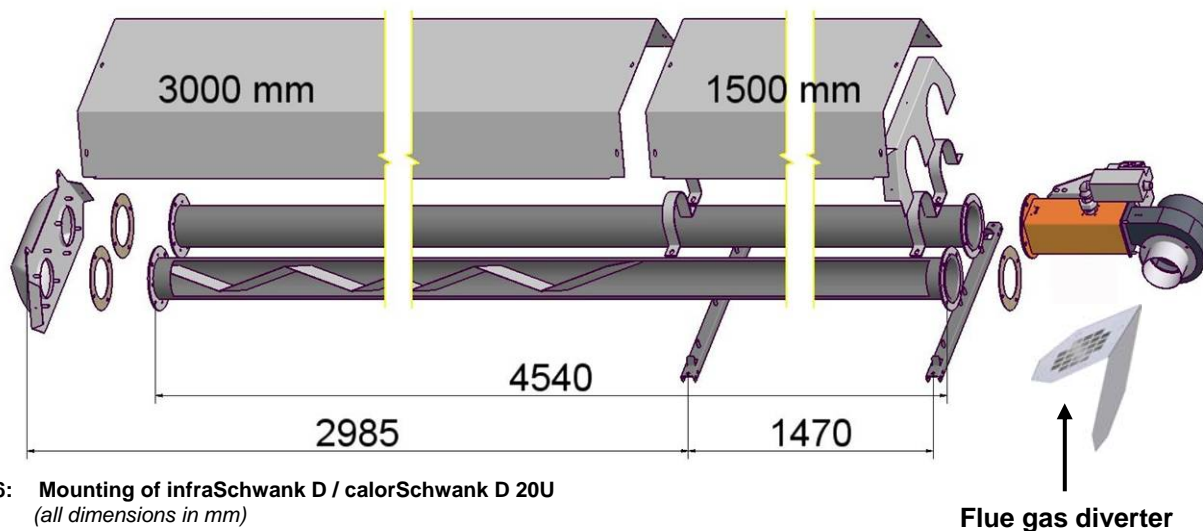


Fig. 16: Mounting of infraSchwank D / calorSchwank D 20U
(all dimensions in mm)

Flue gas diverter

Assembly

infraSchwank D / calorSchwank D 30U



Tools you need

- hexagonal wrench or ratchet (width: 10, 13)
- socket wrench (width: 7 and 8)
- hand rivet tool, drill machine, drill \varnothing 4.9mm

Note before mounting

- Note the distance measures of suspension brackets.
- Flanges are mounted with flange packing (each 4 screws/washers/lock washers/nuts M8).
- Start mounting the heater at the turnaround box connection.
- Turn welding line of the tubes to the side.
- Tube with turbulator (with paint mark) has to be mounted behind the turnaround box (flow direction). The paint mark showing to the turnaround box!
- **Supporting sleeve for first flange connection:** Insert half of the supporting sleeve into first heater tube (slot on top). Drill \varnothing 4.9mm hole through the tube and sleeve and fix it by rivet. Mount the second tube and fix the sleeve by the rivet as well. Fix the rivets always in the opposite position lateral to the tube. Use only stainless rivets.
- Tube bars have to be fixed by nuts / 3D washers / lock washers M8 on the suspension brackets.
- Start the reflector mounting at the turnaround box connection. Reflector will be fixed on the turnaround box connection by self-tapping screws. For insulated reflectors (calorSchwank D) the reflector end with notch on sides shows to the turnaround box.
- The other reflector endings will be shoved under the clips of the suspension brackets.
- Reflectors will be jointly fixed by 3x M 5 screws and self-locking nuts.
- Reflector and front plate have to be fixed by self-tapping screws.
- Mounting of burner unit with valve on the top.
- **Indirect flue into the room (Type A3): Flue gas diverter code no. 126 70180**
Note that the flue gas diverter is mounted in a position so that the flue gas is diverted from the burner.
- **Accessory:**
Flue gas adapter code no. 126 7035 0
Adapter is mounted at the end of the tube with gasket.
- **Flue gas connection (Type B23, C): version stainless steel:**
Note that the flue gas flexible pipe is mounted at the end of the tube with gasket.

Supporting sleeve
4 rivets (stainless steel) \varnothing 4,8mm
hole to drill \varnothing 4,9mm

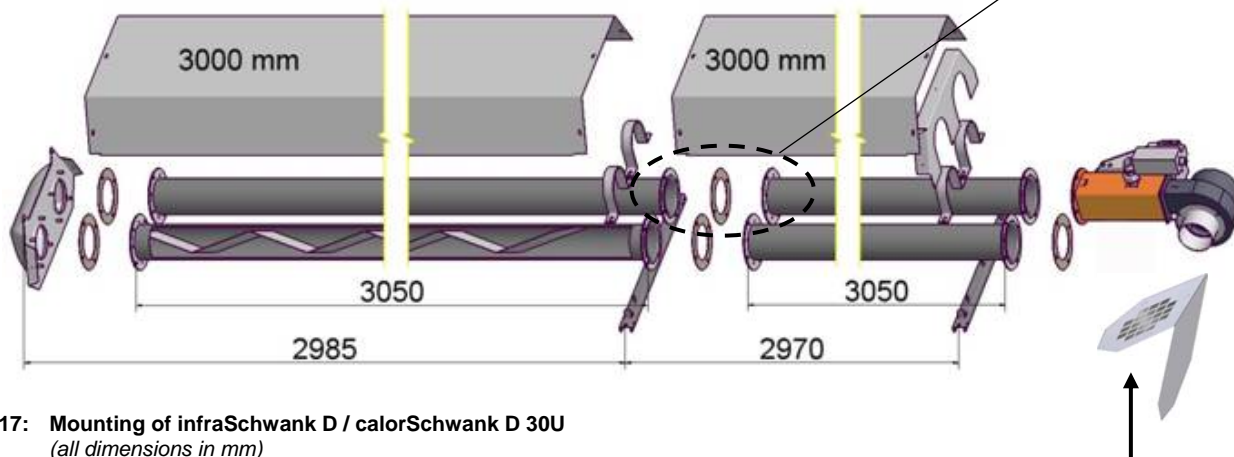
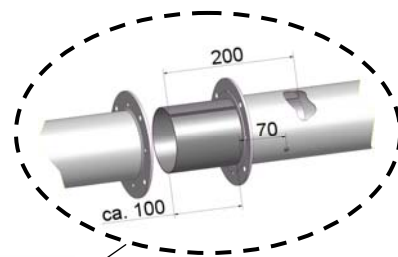


Fig. 17: Mounting of infraSchwank D / calorSchwank D 30U
(all dimensions in mm)

Flue gas diverter

Assembly

infraSchwank D / calorSchwank D 40U



Tools you need

- hexagonal wrench or ratchet (width: 10, 13)
- socket wrench (width: 7 and 8)

Note before mounting

- Note the distance measures of suspension brackets.
 - Flanges are mounted with flange packing (each 4 screws/washers/lock washers/nuts M8).
 - Start mounting the heater at the turnaround box connection.
 - Turn welding line of the tubes to the side.
 - Tube with turbulator (with paint mark) has to be mounted behind the turnaround box (flow direction). The paint mark showing to the turnaround box!
 - Tube bars have to be fixed by nuts/3D-washers/lock washers M8 on the suspension brackets.
 - Start the reflector mounting at the turnaround box connection. Reflector will be fixed on the turnaround box connection by self-tapping screws. For insulated reflectors (calorSchwank D) the reflector end with notch on sides shows to the turnaround box.
 - The other reflector endings will be shoved under the clips of the suspension brackets.
 - Reflectors will be jointly fixed by 3x M 5 screws and self-locking nuts.
 - Reflector and front plate have to be fixed by self-tapping screws.
 - Mounting of burner unit with valve on the top.
- **Indirect flue into the room (Type A3):**
Flue gas diverter code no. 126 70180
 Note that the flue gas diverter is mounted in a position so that the flue gas is diverted from the burner.
Accessory:
Flue gas adapter code no. 126 7035 0
 Adapter is mounted at the end of the tube with gasket.
 - **Flue gas connection (Type B23, C):**
version stainless steel:
 Note that the flue gas flexible pipe is mounted at the end of the tube with gasket.

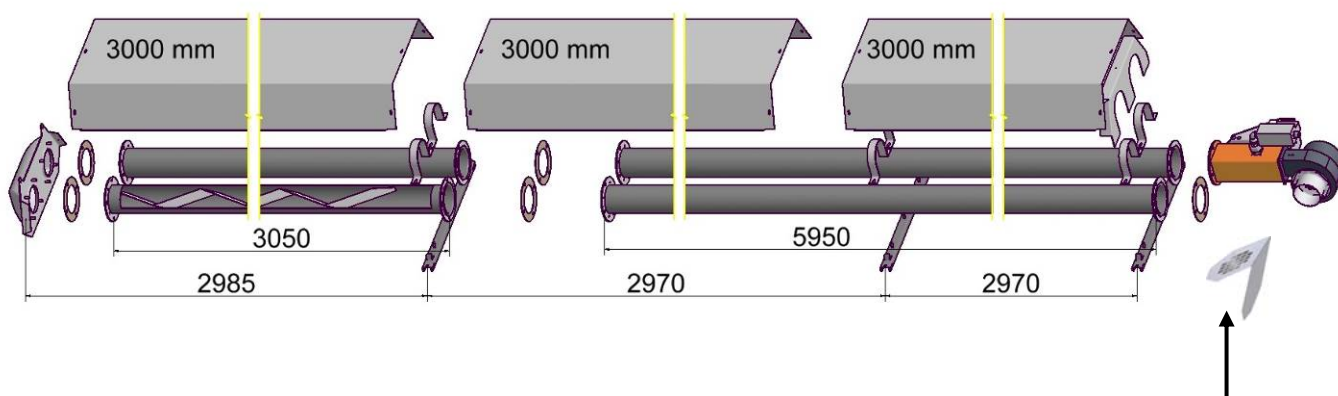


Fig. 18: Mounting of infraSchwank D / calorSchwank D 40U
(all dimensions in mm)

10 Installation instructions



Danger of fire and explosion!
Unprofessional handling of gas pipes, gas connections and the appliance can produce gas leaks. It is highly dangerous if gas is ignited!
Working on gas pipes and the appliances is only allowed by approved installers.



Mount the flexible connection, so that it can compensate the longitudinal expansion of the tube.

Only use flexible connections for the radiant tube regarding:

- gas
- electricity and
- air (if necessary)

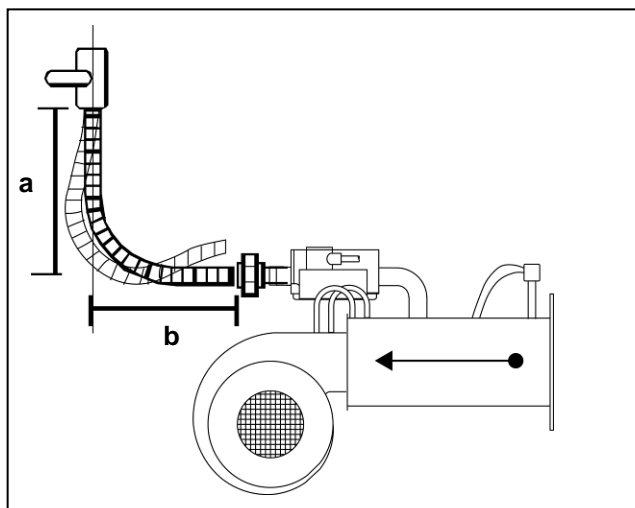


Fig 19: Longitudinal expansion

Gas-pipe-system and mounting of heaters



All gas installation work must be carried out only by an authorised person in accordance with standard AS 5601.

Additional installation notices of national or local institutions must be observed. The pipe must be dimensioned in a way that the minimum connection pressure in front of the gas combination valve of the individual devices is available at the nominal thermal load of the entire system, according to table 6.

Please consider the pressure drop of the upstream mounted gas connection and gas filter. For the detailed pressure drop value of the Schwank gas-pipe-systems see table 7.

Minimum connection pressures in front of valve

infraSchwank D / calorSchwank D shape U					
	type	min. connection pressure [kPa]	nozzle pressure		start step pressure [kPa]
			single stage [kPa]	two stage / modulating max. - min. [kPa]	
Natural gas*	15 - 30U	1.13	0.87	0.87 - 0.6	0.4
	40U		0.83	0.83 - 0.6	0.3
Propane*	15 - 40U	2.75	2.4	2.4 - 1.4	1.2

* Natural gas: $H_{S,B}$: 37,8 MJ/m³ Propane: $H_{S,B}$ 95.8 MJ/m³

Tab 6: min. connection pressures with single and two stage regulation in front of gas combination valve

Pressure drop Schwank gas-pipe-systems

infraSchwank D / calorSchwank D shape U			
	type	gas pipe system	pressure drop [kPa]
Natural gas	15 - 30U	1/2" / L=800mm	0.2
	40U	3/4" / L=800mm	0.25
Propane	15 - 30U	1/2" / L=800mm	0.1
	40U	3/4" / L=800mm	0.1

Tab 7: Pressure drop Schwank gas-pipe-systems



The max. connection pressure for natural gas is 5.0kPa!



In case of contaminated gas pipes and generally at gas pipes of welded black steel have to be mounted gas filter - groups directly in front of the heater (see page 39).

Flexible final connections to the heater must either

- a) hose assembly to AS/NZS 1869 of a suitable size, temperature and pressure rating or
- b) a limited flexibility connector to AS 4631 of a suitable size.

Note the following points while installing the gas-pipe-system:

- ⇒ Use only gas lines as per national standards, refer to AS 5601 for pipe size details.
- ⇒ Never hang heaters on the gas pipes.
- ⇒ Mount a manual gas cock upstream of every radiant tube.
- ⇒ Close all gas cocks before carrying out the leak test and disconnect the connection between the gas cock and the burner to avoid damages to the gas regulator and gas combination valve.
- ⇒ Clean gas pipes before the installation of the heater. Reconnection after pressure control and expansion.

Please observe the national standards.

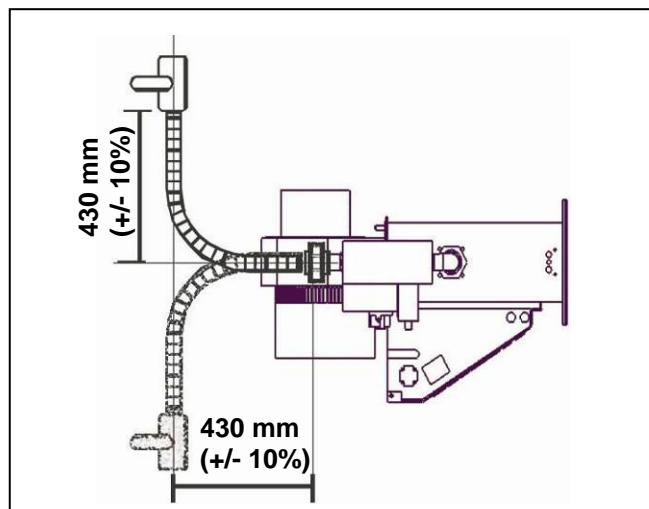


Fig. 21: lateral connection 90° bend



Connect the heater with an approved flexible hose.

- ⇒ Use the following hose length:

15-30U	R 1/2"	length 800mm
40U	R 3/4"	length 800mm

- ⇒ Mount only a flexible hose with 90° bend or with 2 x 90° elbow with 180° bend according to fig. 20, 21 and 22.
- ⇒ Keep the specified installation dimensions.
- ⇒ Wrong mounting of flexible hoses shown in Fig. 23 (sketches ① to ③)

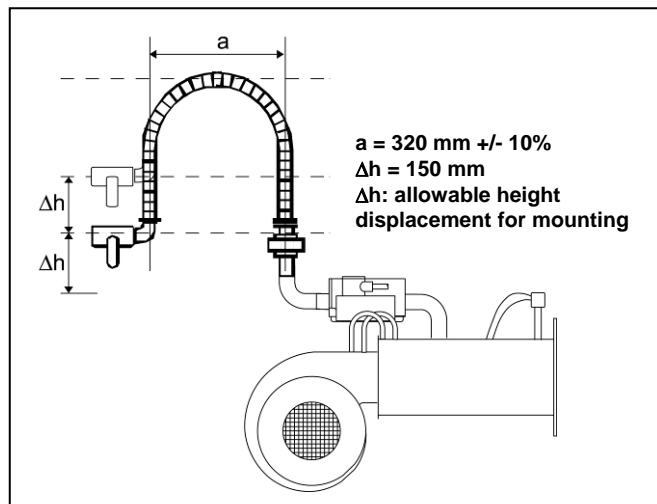


Fig. 22: Alternative flexible hose 180°-bend with 2 x 90° elbow

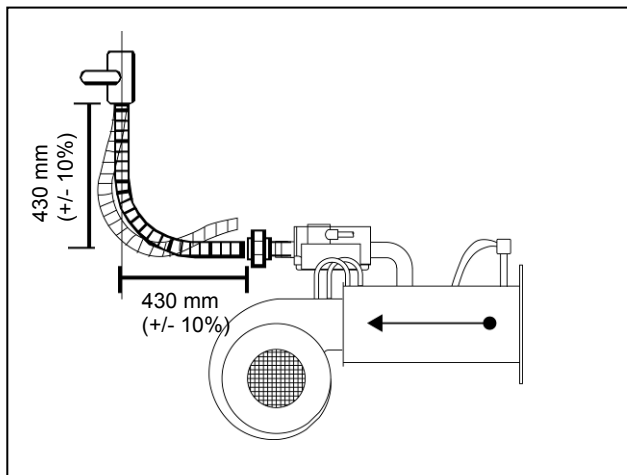


Fig 20: Stand connection 90° bend

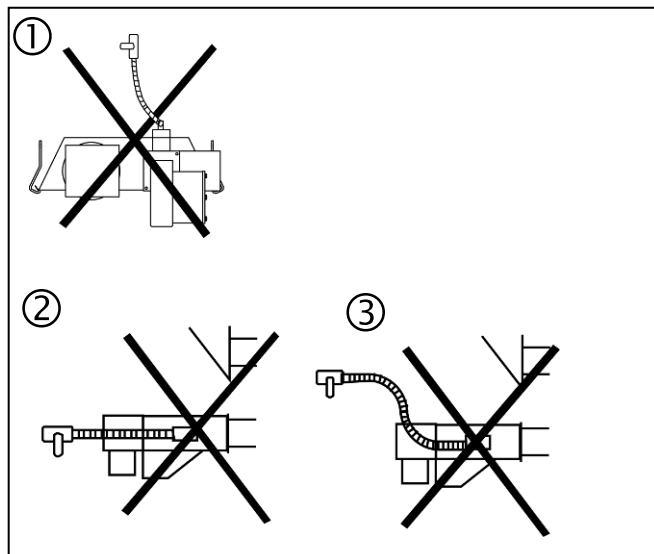


Fig 23: Wrong mounting of flexible hoses



Gas connection has to be positioned in the axle of the heater. Otherwise torsional forces will operate on the hose!

Avoid twisting of the flexible hose! (When tightening the union, counter hold the nipple on the hose.)

Pay attention that the flexible hose will not be mechanically damaged by tools etc. Do not buckle the hose.

Do not mount damaged flexible hoses! Damaged hoses can break due to the movement of the heater.

Electrical installation (wiring diagram)



Danger of electric shock! Electric shocks are highly dangerous! Working at the electrical equipment of the appliance is only allowed by professional personnel observing the current IEE regulations.



Isolate the electrical supply while working at the electrical equipment of the appliance and safeguard the appliance against unintentional connection to the circuit.



The gas supply and electrical cable must be situated on the outside of the radiation and combustion heat. Only use heat-resistant cables near the tubes.

Electrical connection

Single stage operation

- ⇒ Route the connection cable (power supply) to the three-pin plug and connect the cables (see Fig. 24, page 27).
- ⇒ Plug in the three-pin plug into the socket of the burner box.
- ⇒ Connect the plug of the fan into the corresponding socket at the burner box.



Pay attention of the correct polarity! If the polarity is incorrect, the firing device will not note any ionisation signal!



You find the three-pin socket for the electrical supply on the burner box.

Electrical connection two stage operation

- ⇒ Route the connection cable (power supply burner unit) to the three-pin plug and connect the cables (see Fig. 25, page 27).
- ⇒ The connection cable of the modulation spool connects by a branch box (see Fig.25, page 27).
- ⇒ Plug in the three-pin plug into the socket of the burner box.
- ⇒ Connect the plug of the fan into the corresponding socket at the burner box.



Start and ignition of the heater has always to be in full load. After a time of minimal 1 minute the heater can be switched to small step.



You find the three-pin socket for the electrical supply on the burner box. The connection cable of the modulation spool is screw on the gas combination valve.

Electrical connection modulating operation

- ⇒ Make sure that protective earth is connected between modulation box and ThermoControl Plus M controller.
- ⇒ Route the connection cable (power supply burner unit) from the modulation box to the three-pin plug and connect the cables (see Fig. 26, page 28).
- ⇒ Connect the connection cable for the lifting magnet from the modulation box direct to the lifting magnet modulating valve (see Fig.26, page 28).
- ⇒ Plug in the three-pin plug into the socket of the burner unit.
- ⇒ Connect the plug of the fan into the corresponding socket at the burner unit.



Start and ignition of the heater has always to be in full load. After a time of minimal 1 minute the heater can be switched to small step.



You find the three-pin socket for the electrical supply on the burner unit. The connection cable of the lifting magnet is screws on the modulating gas combination valve.

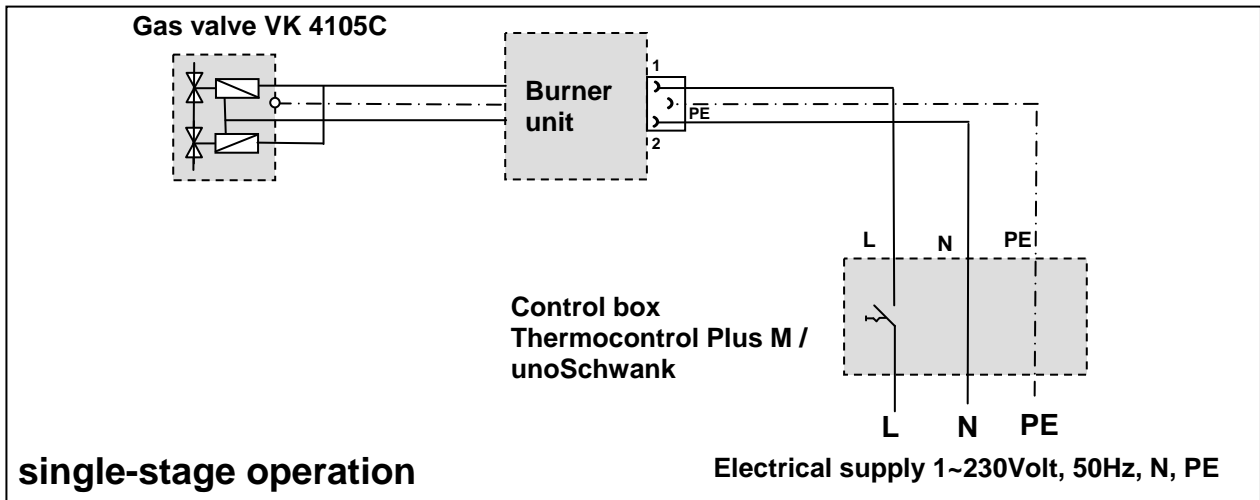


Fig. 24: Connecting diagram single-stage regulation infraSchwank D / calorSchwank D

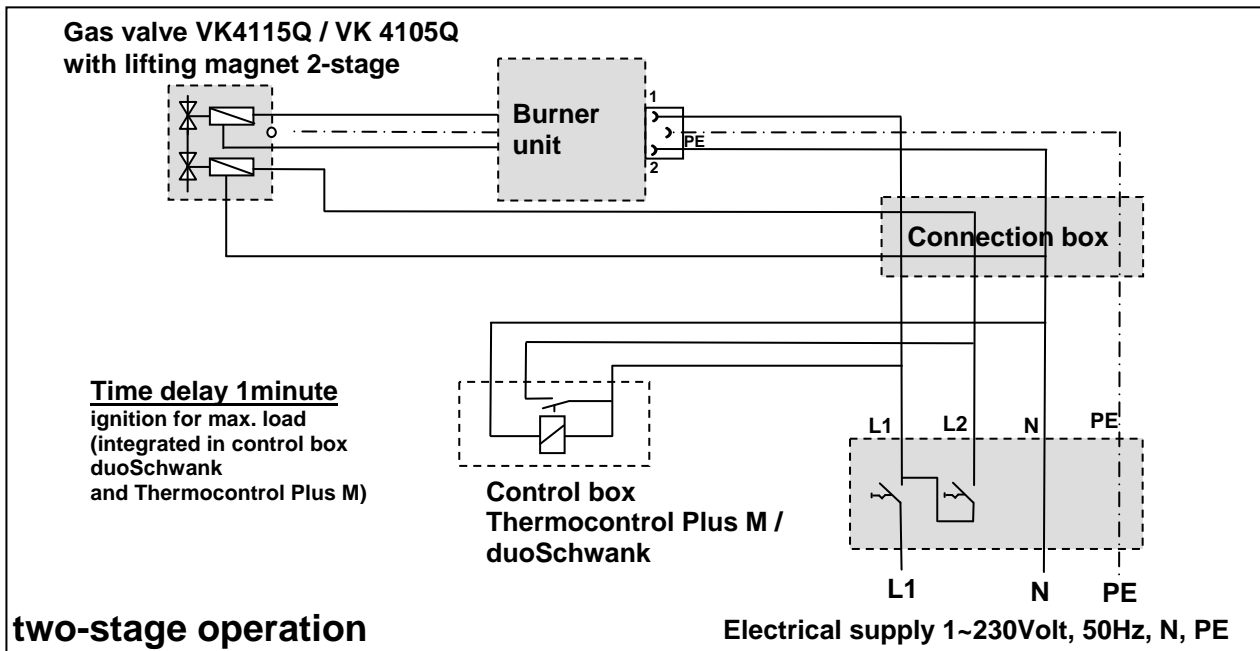


Fig. 25: Connecting diagram two-stage regulation infraSchwank D / calorSchwank D

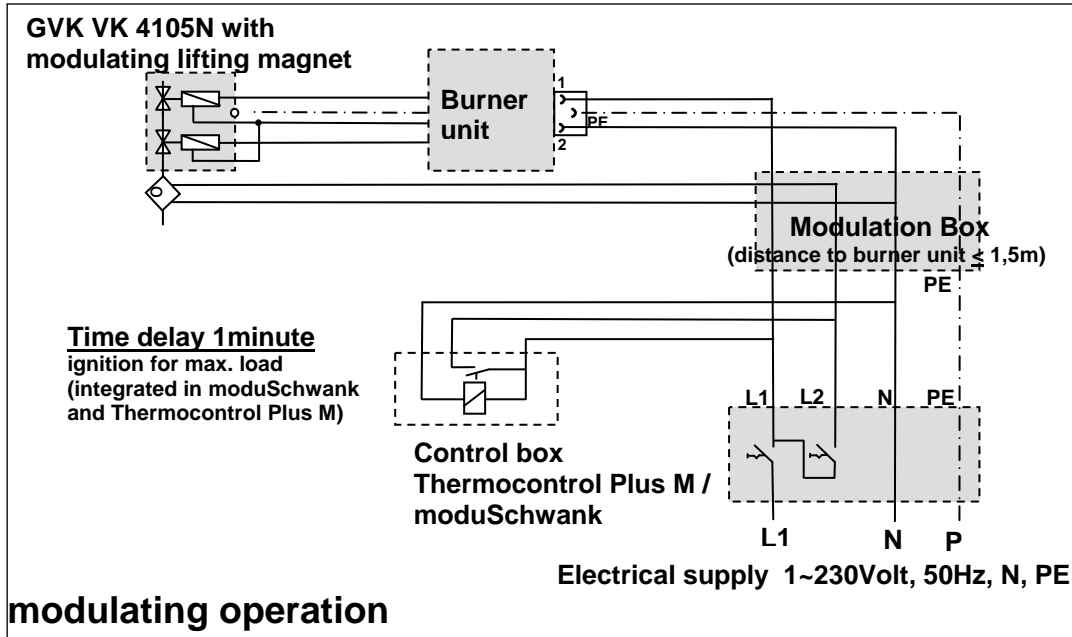


Fig. 26: Connecting diagram modulating operation infraSchwank D / calorSchwank D

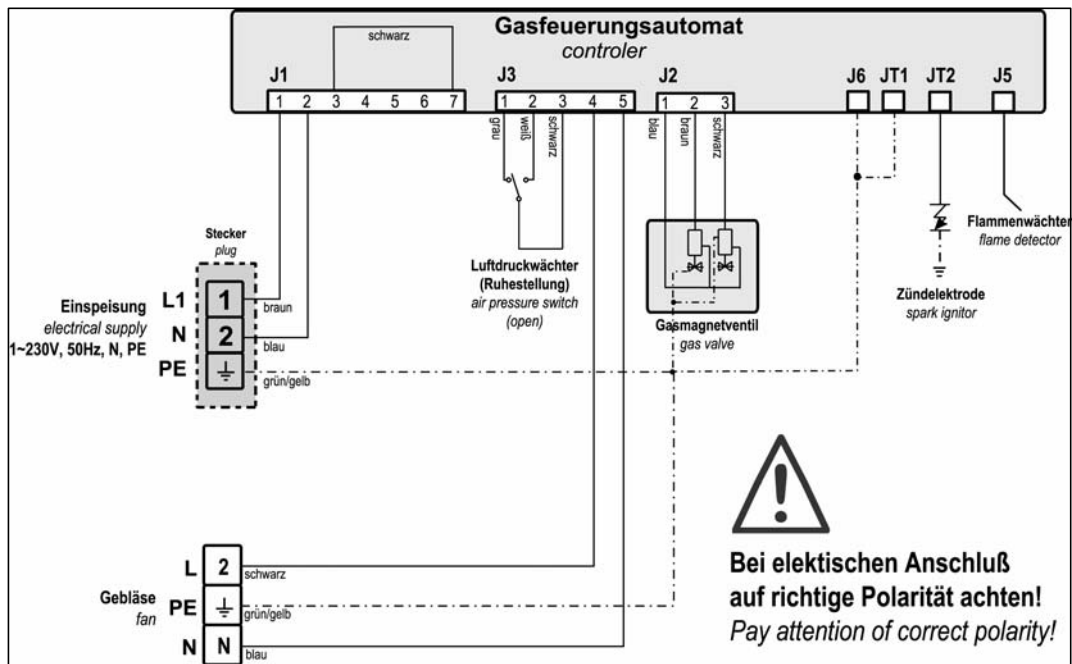


Fig 27: Wiring diagram burner unit infraSchwank D / calorSchwank D

11 Commissioning instructions

Before commissioning



Only authorised personnel can carry out this operation.

The correct operation and fixing of the heater is prerequisite for the warranty. Checking gas lines and flue system is not included in this service.

Check the function of the following equipment:

- Exhaust flue
- Combustion air supply
- Control unit
- Safety equipment
- Safety of electrical circuit



Pay attention when commissioning! Vaporization of remaining grease of metal units may cause greasy mist. This kind of mist disperses after approx. 30 minutes. During this time the room has to be ventilated.

Adjusting nominal thermal load at single-stage operation



Attention!

The pressure control unit is pre-adjusted on natural gas / propane. Do not put the appliance into operation uncontrolled.

Adjusting the nozzle pressure

1. Open first the gas cock which is at the end of the flexible gas hose (Fig.28, page 30).
2. Open the test nipple connection pressure. Connect the pressure measuring instrument to the test nipple and determine the connection pressure.
Close the test nipple after the measurement!
3. Open the test nipple nozzle pressure. Connect the pressure measuring instrument to the test nipple to determine the connection pressure.
4. Remove the protection cap **A** (see Fig. 29, page 30).
5. Put the radiant tube into operation.
6. Turn the adjusting screw on the pressure regulator slowly in the “+” or “-” -direction while continuously watching the pressure measuring instrument. Stop turning as soon as the required nozzle pressure is reached. The required nozzle pressure for natural gas H ($W_{o,B} = 50.0 \text{ MJ/m}^3$) or propane is shown in table 5, page 18.
7. Put the protection cap **A** on the valve after the adjusting.
8. **Close the test nipple after the measurement and check if the test nipple is gas-tight.**

Checking adjustment

1. Turn the adjustment screw slightly to “-” -direction. Nozzle pressure must drop immediately. If this does not happen, you must readjust the jet pressure until the point is reached at which a decrease or increase in the nozzle pressure is noticeable on the measuring instrument.
2. **Close test nipple after the measurement!**
3. Remove the measuring instrument and check if the test nipple is gas-tight

Adjusting nominal thermal load at two-stage operation

Adjusting the nozzle pressure

1. Open first the gas cock at the end of the flexible gas hose (Fig.28, page 30).
2. Open the test nipple connection pressure. Connect the pressure measuring instrument to the test nipple and determine the connection pressure.
Close the test nipple after the measurement!
3. Open the test nipple nozzle pressure. Connect the pressure measuring instrument to the test nipple to determine the nozzle pressure.
4. Take off the plastic cap **E** (see Fig. 30, page 30) from the lifting magnet (lift the cap with a small screw-driver)
5. Put the radiant tube into operation.
7. The electrical supply must activate for burner unit and lifting magnet to adjust the **nozzle pressure of max. load**. Turn the outer adjusting screw **C** (width 8) slowly in the “+” or “-” -direction while continuously watching the pressure measuring instrument. Stop turning as soon as the required nozzle pressure is reached The required nozzle pressure for natural gas H ($W_{o,B} = 50.0 \text{ MJ/m}^3$) or propane is shown in table 5 page 18.
8. The electrical supply must activate only for the burner unit to adjust the **nozzle pressure of min. load**. Turn the inner adjusting screw **D** (screw-driver 6x1) slowly in the “+” or “-” -direction while continuously watching the pressure measuring instrument. Stop turning as soon as the required nozzle pressure is reached.
9. Checking adjustment nozzle pressure as described by the single stage performance.
10. **Close test nipple after the measurement and check if the test nipple is gas-tight.**
11. Put the plastic cap **E** on the lifting magnet.



Fig 28: Gas cock with integrated TSD

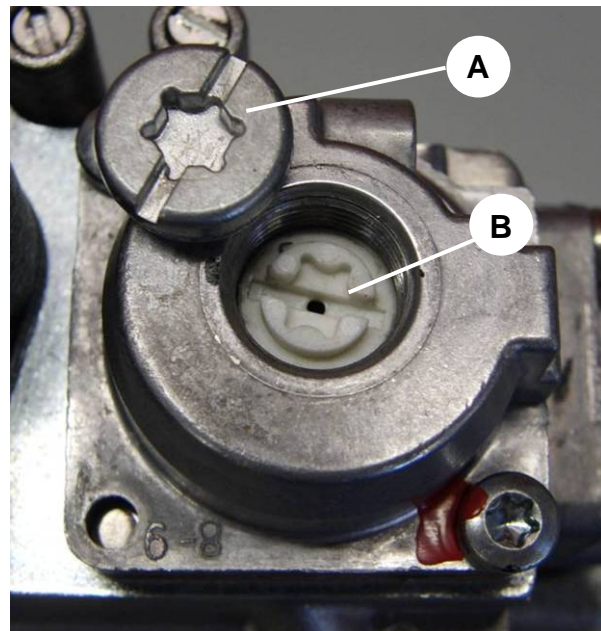


Fig 29: Adjusting screw nozzle pressure single stage gas combination valve

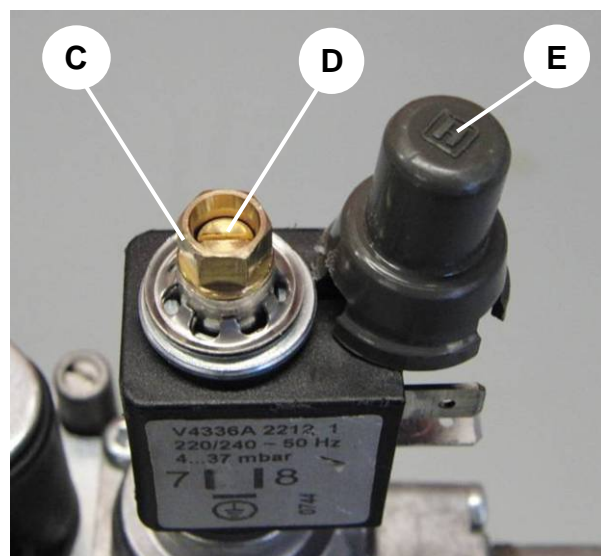


Fig 30: Adjusting screw nozzle pressure with lifting magnet two stage gas combination valve

Adjusting thermal load for modulating operation

Adjusting the nozzle pressure

1. Open first the gas cock which is at the end of the flexible gas hose (Fig.28, page 30).
2. Open the test nipple connection pressure. Connect the pressure measuring instrument to the test nipple and determine the connection pressure.
Close the test nipple after the measurement!
3. Open the test nipple nozzle pressure. Connect the pressure measuring instrument to the test nipple to determine the nozzle pressure.
4. The required nozzle pressure for natural gas H ($W_{o,B} = 50.0 \text{ MJ/m}^3$) or propane is shown in table 5, page 18.
4. Take off the plastic cap **A** (see Fig. 31, page 31) from the lifting magnet.
5. Put the radiant tube into operation

In case a different value has to be set the output current value in the Modulation Box has to be changed. Please follow below mentioned procedure [e.g. **0.87 / 0.6 kPa**]:

7. Switch the jumper at the ThermoControl Plus M to "**Modulation**"
8. Switch on the "**Chimney sweeper**" mode at the ThermoControl Plus M
9. Ensure that the input pressure at the gas pressure regulator is sufficient enough [e.g. 1.13 kPa]
10. Push the "+/-" button (**button block "B"**) so that the measured nozzle pressure will be 0.1 kPa below the **required minimum value** (e.g. 0.5 kPa). If the value cannot be adjusted, the **mechanical limitation** at the lifting magnet (large adjusting screw **B**, Fig. 31) needs to be amended. Afterwards continue with adjusting to the required minimum value
11. To adjust the maximum pressure, the jumper has to be switched to "Max". With the "+/-" buttons adjust the value to 0.1 kPa above the **required maximum pressure** (e.g. 0.88 kPa). In case the value cannot be adjusted the **mechanical limitation** of the lifting magnet (small adjusting screw **C**, Fig. 31) needs to be amended. Afterwards continue with adjusting to the required minimum value.
12. Check the minimum value again and re-switch the jumper to "Min" position and adjust the value if necessary (e.g. 0.5 kPa).

13. Adjustment of the **mechanical pressure range** of the lifting magnet:

Place the jumper of the Modulation Box to the "N" position. "Chimney sweeper" mode needs to be still switched on. Disconnect the power supply (clamp 7 / 8, Fig. 32) of the Modulation Box or the connector of the lifting magnet. Adjust the minimum value to the required nozzle pressure (e.g. 0.6 kPa) at the lifting magnet. Re-connect the electrical connection at the Modulation Box (clamp 7 / 8) or the connector of the lifting magnet and adjust the required maximum value (e.g. 0.87 kPa) at the lifting magnet.

14. Switch off the "chimney sweeper" mode.
15. Close test nipple after the measurement and check if the test nipple is gas-tight.
16. Put the plastic cap **A** on the lifting magnet

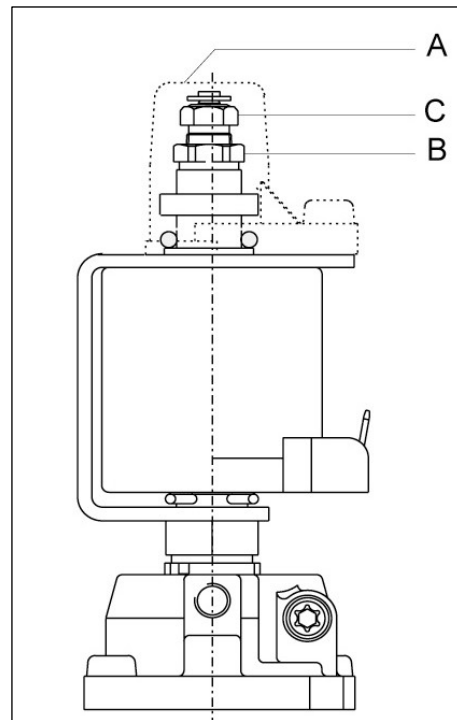


Fig. 31: Section of modulating lifting magnet

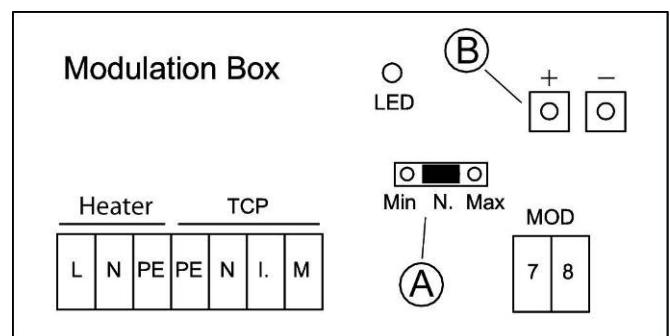


Fig. 32: Modulation Box

12 Service guide / Trouble shooting

Maintenance and annual check

A regular maintenance is the requirement for a faultless operation of the appliance.

According to the National Standard Regulations, heating-systems with radiant tubes must be checked at least once a year.

Maintenance and trouble shooting is only allowed by professional personnel that is competent and instructed in radiant tubes.

Maintenance must include the following checks:

- Check the surface of radiant tubes
- Check the pollution and sooting of tubes
⇒ clean (if necessary)
- Check tightness of the tube system including connection to the burner unit
- Check the air/flue-system ⇒ clean (if necessary)
- Check the gas connection ⇒ Leakage-test
- Check the connection pressure, nozzle pressure and start step
- Check gas filter in case of reduced line pressure, in case of pollution change filter set
- Check the safety functions of the ignition- and ionisation-controls
- Check the valve functions
- Check the function of the pressure switch
- Check the electrical connections
- Check the slope of the tubes (3 mm/m in direction of the turn around box connection)
- Check the flexible gas hose and electrical connection to the burner unit
- Check the room temperature control
- Check the distances to any flammable materials
- Check the air/flue ventilation of the room
- Remove condensation water in the tube
- Check correct connection of the reflectors
- Check if the fan impeller runs correctly and is free of any damages
- Check the tight fit of the fan venturi
- Check connection and tightness of the fan to the burner unit

Any deviations must be fixed immediately. Defect parts must be changed directly.

Pressure switches, pressure regulators, valves and safety- and ignition devices can only be maintained by the manufacturer or authorized personnel.

Trouble Shooting

fault	reason
Burner does not start	<ul style="list-style-type: none"> • No gas (check pre- and nozzle pressure) • Fault in electrical supply • Thermostat "OFF" • Connection of ignition- and ionisation electrode is wrong • Differential pressure switch is defect or out of order (contact must be open)
Control goes in fault position during pre-purge period	<ul style="list-style-type: none"> • Flame signal wrongfully caused by electrical defect of control • Pressure differential is not sufficient
Control goes in fault position during the safety time	<ul style="list-style-type: none"> • No flame (no ignition, valve doesn't open, no gas) • No or poor flame signal (flame does not stick, bad insulation of the flame detector, no contact between burner and earth connection) • Wrong polarity
Control goes into fault position during operation	<ul style="list-style-type: none"> • Flame is off • Contact of differential pressure switch opens • Flame signal is poor

In case of doubt, please contact:

Mr. John Balass
Devex Systems Pty Limited
5/83 Bassett St
Mona Vale NSW 2103
Tel: 02 9997 2811
Fax: 02 9997 7852

13 Change of gas family

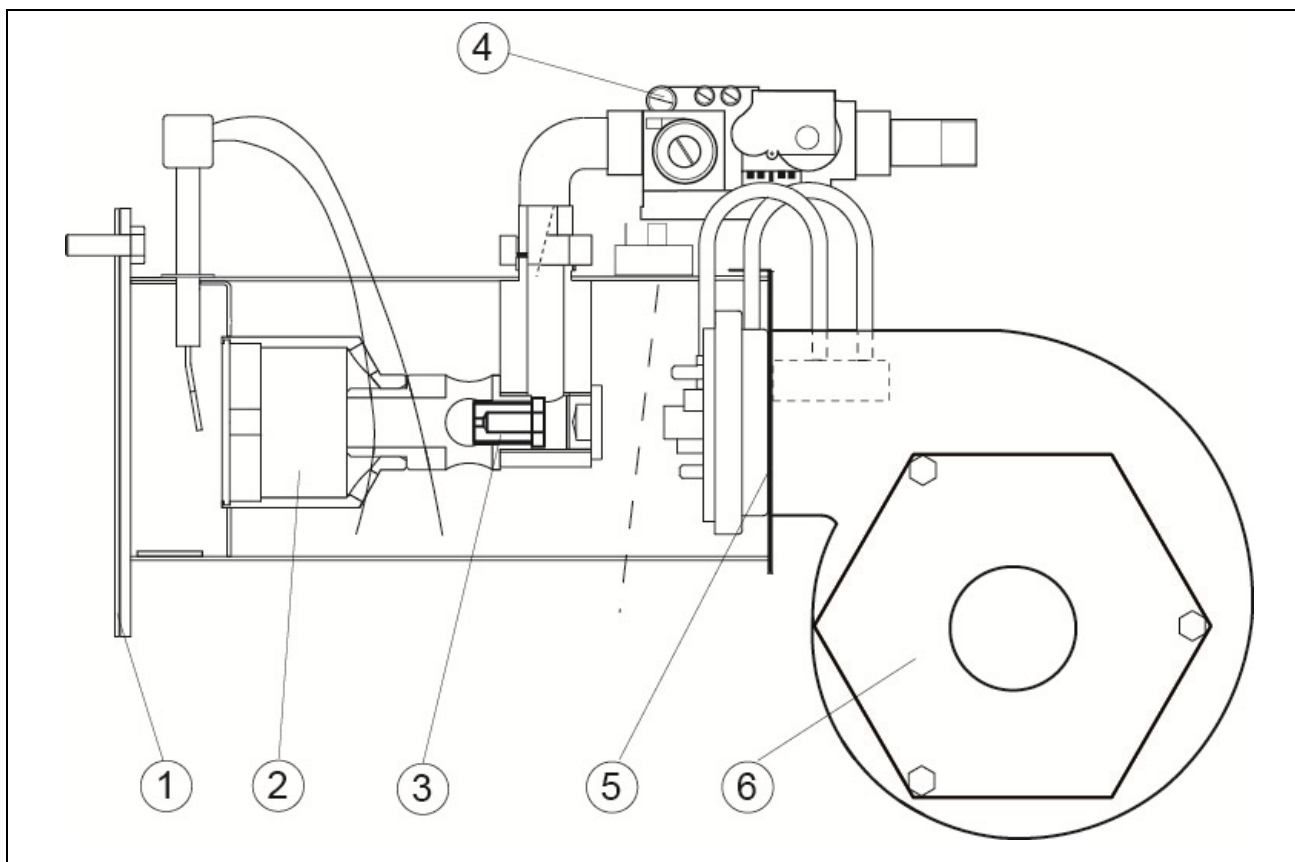


Fig 33: Change of gas family

- ① Burner baffle (only 15 / 20 / 30 / 40U)
- ② Burner cup
- ③ Burner nozzle
- ④ Regulation screw start step
- ⑤ Air baffle plate (only 15 / 20 / 30 / 40U)
- ⑥ Fan air restrictor

Instruction to change the gas family

1. Change the burner nozzle
2. Adjust the new nozzle pressure (see tab. 5, page 18)
3. Adjust the new start step pressure (see tab 8, page 33)
4. Stick on the new rating label

Instruction to adjust start step pressure

1. Adjust the start step pressure with the regulation screw, the pressure rise and the opening time can be changed between set limits.
2. The start step pressure must be set as the specified values in tab 8. Turn it clockwise with a screwdriver to increase the start step.

infraSchwank D / calorSchwank D shape U			
gas	type	adjustment regulation screw	start step pressure [kPa]
Natural gas	15 - 30U	MIN	0.4
	40 U	MIN	0.3
Propane	15 - 40U	MAX	1.2

Tab 8: Setting regulation screw start step

14 Accessories

Ball guards

Ball protection grids acc.18032-3 for using heaters in sport halls (grid 40x40mm).

Delivery scope

Mounting set complete for each type of heater existing of:

infra/calorSchwank D shape U	15U	20U	30U	40U
Ball protection grid L=1443mm				
Ball protection grid L=1843mm	2x		2x	2x
Ball protection grid L=2203mm		1x		
Ball protection grid L=2963mm		1x	1x	2x
Protection grid burner top	1x	1x	1x	1x
Front protection cover burner	1x	1x	1x	1x
Protection grid burner end side	1x	1x	1x	1x
End bracket with stud bolts M8	1x	1x	1x	1x
Holding bracket (1x infra D +1x calor D)	1x		1x	1x
Angled bracket with stud bolt M8	4x	4x	6x	8x
Clamp	6x	6x	8x	10x
Set fixing material	1x	1x	1x	1x

Assembling

(Description for heater infra/calorSchwank D 30 U, other types similar)

1. Mounting heater as usually acc. manual (see chapter 9, page 20 - 23).
2. Fix end bracket at inner side of turnaround box, open and close again 4 nuts M8 (Fig. 35, page 36)
3. Fix two angled brackets at each tube hanger (screws M8 x 60, nuts) (Fig. 36, page 36)
Screw on angled brackets at the inner holes of suspension bracket.
4. Holding bracket put loose on the first reflector (view from burner unit) and screw together with two angled brackets (screws M8 x 60, nuts), holding bracket remain axially movable
NOTE: Use the right holding bracket – difference infraSchwank D or calorSchwank D – both in the delivery scope (Fig. 37, page 36)!
5. Assembling segments ball protection grids starts on the turnaround box (*last suspension bracket for shape L*). Put first segment ball protection grid L=2963 mm **from below** on end bracket and angled brackets of the next suspension bracket – Put clamps on stud bolts M8 and mount with self-locking nuts
Mount clamp loose on one stud bolt of angled bracket for further assembling next protection grid (Fig. 38, page 36).
6. Put next segment ball protection grid L= 1843mm **from below** on angled brackets and mount clamp with self-locking nuts M8, clamp and angled bracket connect two segments ball protection grid to each other.
Mount clamp loose on one stud bolt of angled bracket for further assembling next protection grid.
7. Put next segment ball protection grid L= 1843mm **from below** on angled brackets and mount clamps with self-locking nuts M8
Last segment ball protection grid L= 1843mm protects the burner unit at the bottom.

8. version stainlessAfter finish assembling of all ball protection grids fix holding bracket with 3x self-tapping screws on the reflector.
9. Push on protection grid burner top **from behind** over ball protection grid and burner up to the suspension bracket. Note that the lower short bending is on the left side in view from behind. Fix burner protection grid burner top with supplied cable straps or similar at bottom protection grid.
10. Protection grid burner top has to be cut holes depends on installation on-site for flue system and may be gas line. Connect flue system pipes and gas line.
NOTE: Select the cutouts large enough to compensate the thermal length expansion of the heater!
11. Insert front protection cover burner between front cover plate reflector and burner unit and fix it with supplied cable straps or similar on protection grid burner top (Fig. 39, page 36).
12. Protection grid burner end side has to be cut hole depends on installation on-site for gas line. Fix with supplied cable straps or similar on protection grid burner top.



Please note the required number and length of segments ball protection grids for each type of heater. Compare this to the tabular and graphical overview.

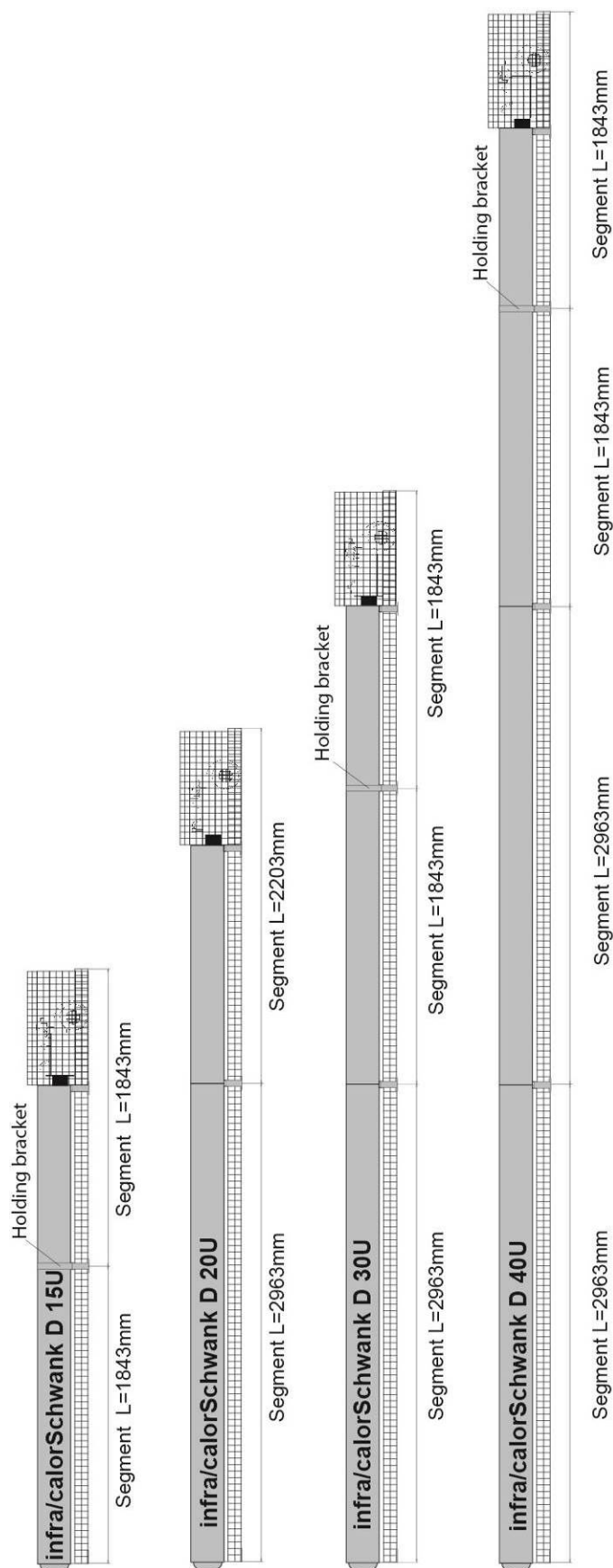


Fig. 34: Overview of ball guards



Fig. 35: Fixed end bracket on turnaround box



Fig. 38: Loose mounted clamp



Fig. 36: Fixed angled bracket on suspension bracket



Fig. 39: Fixing front protection cover burner on protection grid burner top

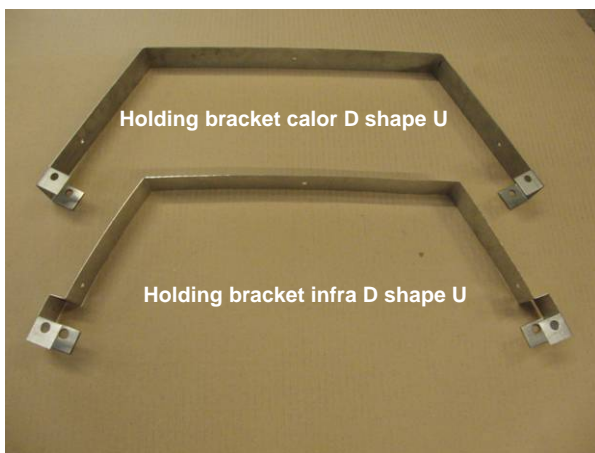


Fig. 37: Holding bracket infra D and calor D

Reflector elongation

Vertical elongation of reflectors $b=415\text{mm}$ for thermal protection. The numbers reflector elongation (single sheets) is depend on required protection (one side both side, protection length) and the power of the radiant heater.

Delivery scope

Reflector elongation consist of

- numbers of sheet reflector elongation
- mounting material

Assembling

1. Assembling and mounting tubes with reflectors complete acc. manual (see chapter 9, page 20-23).
2. Fix screws with distance sleeve and mounting angles **A** at hangers as required.
3. Mount end bracket **B** at turn around box.
4. Put reflector elongation sheet **B** on mounting angle **A**. Screw both parts together with the added clip **C** and screw/nut M8 and lock a nut to ensure the reflector elongation sheets.
5. Fix reflector elongation sheets to another with screw/nut M8.



At heaters with axial reflector elongation the last suspension bracket on the burner side must be mounted at the junction point reflector/reflector end plate.

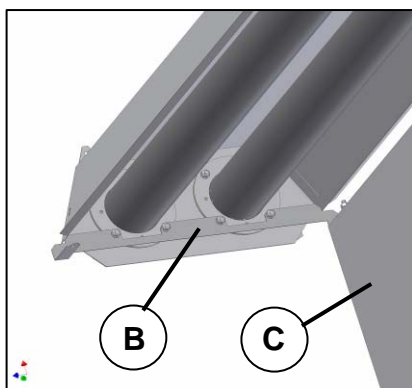
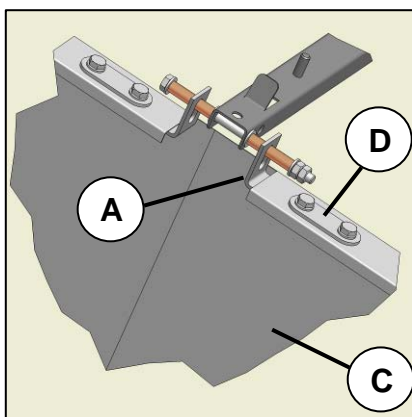


Fig 40, 41: Assembling order reflector elongation

Set angled mounting tubes

Bracket to ensure form and position of reflectors when the heater is mounted angled ($>15^\circ$). Bracket to mount at each junction point reflector/reflector, not at reflector end caps.

Delivery scope

Mounting set consist of

- numbers of brackets
- mounting material

Assembling

1. Assembling and mounting of tubes complete (without reflectors) acc. manual (see chapter 9, page 20-23).
2. Lay first reflector on turn around box and first hanger, fix it at turn around box with two screws.
3. Fix angled bracket **D** with screws and nuts M8 at first hanger, bracket under reflector.
4. Put on next reflector, reflectors are fixed to another by 3 screws/nuts M5, middle screw through angled bracket.
5. Further assembling as usually acc. to manual.

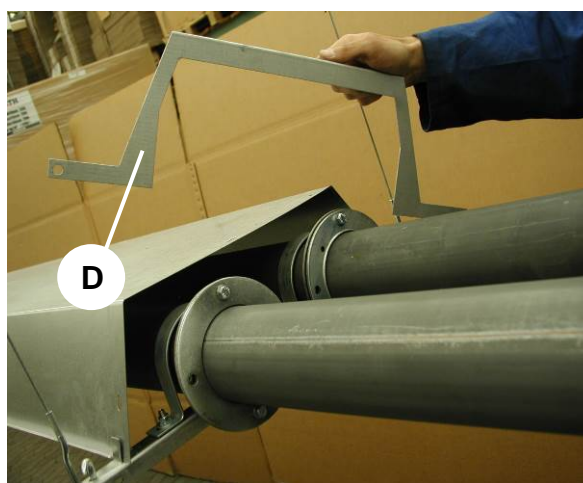


Fig 42, 43: Assembling order set angled mounting

Water protection cover

Protection cover of the burner unit 15-40U with electrical protection class IP 55 against water or aggressive mediums, cover complete in stainless steel.

In delivery scope a mounting set existing of:

- Protection cover with inlet air adapter (premounted and sealed), hinged cover plate and premounted surrounding rubber seal
- Gas inlet connection with union fitting (premounted)
- Gasket for mounting water protection cover and radiant tube

Assembly instruction

1. Divide gas inlet connection at the union fitting
2. Install with sealant the half of the divided gas inlet connection with coupling fitting to male thread gas connection burner unit.
Note 40kW: First replace reducing nipple $\frac{3}{4}$ "x $\frac{1}{2}$ " from burner unit!
3. Mount complete burner including burner baffle into protection box, front fixing bolt at burners flange reaches through front of the protection box.
4. Pass other half gas inlet connection through PG gland and connect with burner unit. Union fitting first tighten by hand.
5. Stick gasket on protection box with silicon. Mount complete protection box with burner unit inside at radiant tube flange with gasket between tube flange and protection box. Fix front fixing bolt of the burner unit tight with flange radiant tube.
6. Tighten union fitting of the gas inlet connection with tool.
7. Assemble electrical connection through PG grand and connect with device plug, if necessary pass cable for 2-stage or modulating regulation through the second PG grand.
8. Fit tight the counter nuts of all PG glands.
9. Connect the heater with an approved flexible gas hose.
Note 40kW: Mount reducing nipple $\frac{3}{4}$ "x $\frac{1}{2}$ " on outer thread gas inlet connection with sealant!
10. Start tube heater, check gas pressures.
11. Close cover plate water protection box with two wing screws.



Fig. 44: Mounted burner unit in protection cover with gas inlet and electrical connections



Fig. 45: Complete mounted and closed water protection cover

Gas filter - groups

To avoid technical problems with the gas combination valves which are caused by pollution of dust or rust coming out of the gas pipe should to be mounted a gas filter-group $\frac{3}{4}$ " (gas filter + premounted double nipple) for tube heater 40U.

For tube heaters 15-30U a similar gasfilter-group $\frac{1}{2}$ " has to be ordered in case the gas pipe is made of black steel (welded).

gas filter-group Rp $\frac{1}{2}$" for 15-30U	code no: 192 0756 0
---	----------------------------

gas filter-group Rp $\frac{3}{4}$" for 40U	code no: 192 0757 9
--	----------------------------

Assembly instruction

Direct installation between flexible gas pipe and valve burner unit, with a slight radial slope for better cleaning the filter bottom! In case of strong polluted filter pad use the corresponding spare part set for gas filter.

Pay attention to the flow direction of the filter!



Fig 46: Mounted gas filter-group at tube heater

15 Spare parts

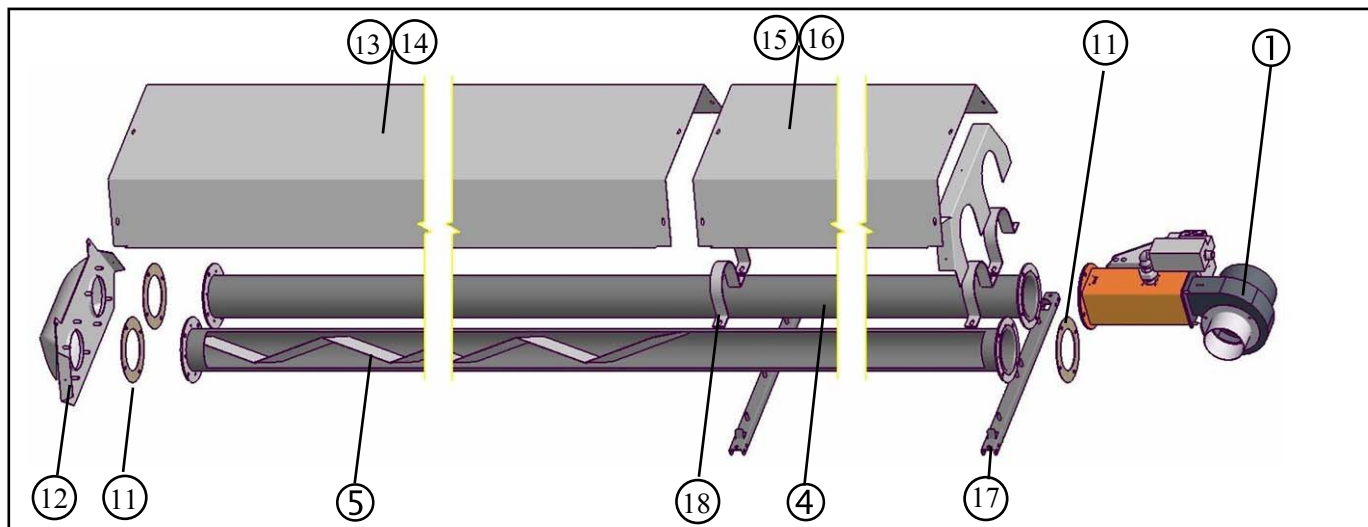


Fig. 47: Spare parts infra D / calor D 20U

Spare parts infra D / calor D 15-40U

Pos.	Part	Art.-No.
1	Burner unit infra D / calor D 15 Natural gas	126 7165 0
	Burner unit infra D / calor D 20 Natural gas	126 7151 0
	Burner unit infra D / calor D 30 Natural gas	126 7153 0
	Burner unit infra D / calor D 40 Natural gas	126 7155 0
2	Radiant tube L 3050mm infra D / calor D <i>(not in figure 42)</i>	126 7020 0
3	Radiant tube L 3050mm with turbulator infra D / calor D <i>(not in figure 42)</i>	126 7055 0
4	Radiant tube L 4540mm infra D / calor D	126 4722 0
5	Radiant tube L 4540mm infra D / calor D with turbulator	126 7056 0
6	Radiant tube L 5950mm infra D / calor D <i>(not in figure 42)</i>	126 7199 0
7	Radiant tube L 5950mm stainless steel with welded flanges <i>(not in figure 42)</i>	126 7220 0
8	Radiant tube L 3050mm with burner flange <i>(not in figure 42)</i> [only for heringbone systems]	126 7069 0
9	Radiant tube L 4540mm with burner flange <i>(not in figure 42)</i> [only for heringbone systems]	126 7070 0
10	Radiant tube L 5950mm with burner flange <i>(not in figure 42)</i> [only for heringbone systems]	126 7408 0
11	Gasket between tubes and burner infra D / calor D	126 7048 0
12	Turnaround box	126 7015 0
13	Reflector infra D shape U (L 3000mm)	126 7011 0
14	Reflector calor D shape U (L 3000mm)	126 7062 0
15	Reflector short infra D 20U (L 1500mm)	126 7221 0
16	Reflector short calor D 20U (L 1500mm)	126 7234 0
17	Suspension bracket infra D / calor D shape U	126 7012 0
18	Tube bar	126 4529 5
19	Mounting set infra D / calor D 15U <i>(not in figure 42)</i>	126 7102 0
20	Mounting set infra D / calor D 20U <i>(not in figure 42)</i>	126 7129 0
21	Mounting set infra D / calor D 30U <i>(not in figure 42)</i>	126 7103 0
22	Mounting set infra D / calor D 40U <i>(not in figure 42)</i>	126 7116 0

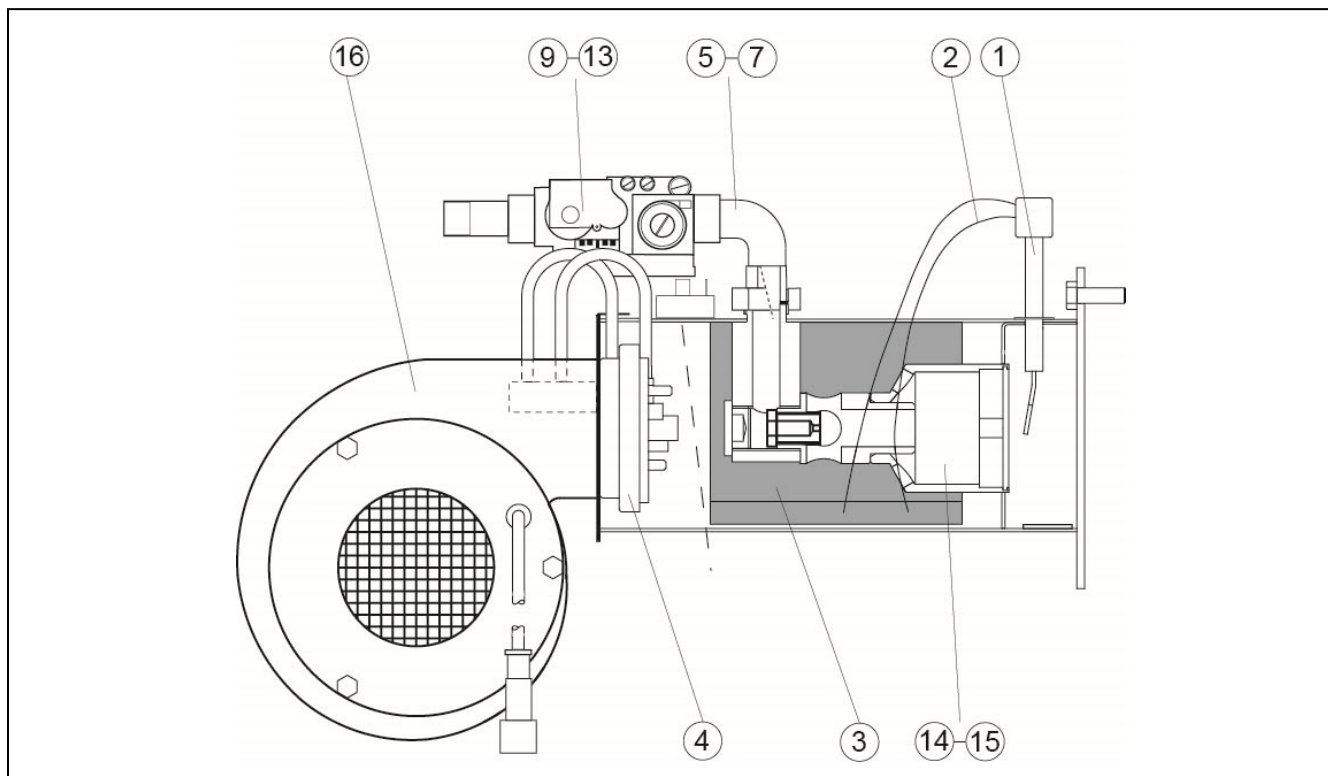


Fig. 48: Spare parts burner unit

Spare parts burner unit infra D / calor D 15-40U

Pos.	Part	Art.-No.
1	Spark igniter with ionisation cable	127 0246 9
2	Ignition wiring with plug	126 7021 0
3	Controller Microgas P25	126 7495 0
4	Pressure switch DL1E with damping nozzle	192 0217 8
5	Spare part gas valve cpl. premounted – replacement HONEYWELL for SIT infra D / calor D 15-40U / 1-stage with cable valve – <i>in cardboard</i>	126 7532 1
6	Spare part gas valve cpl. premounted - replacement HONEYWELL for SIT 2-stage / Natural gas infra D / calor D 15-40U / with cable for valve and 2-stage coil – <i>in cardboard</i>	126 7536 1
7	Spare part gas valve cpl. premounted - replacement HONEYWELL for SIT 2-stage / Propane infra D / calor D 15-40U / with cable for valve and 2-stage coil – <i>in cardboard</i>	126 7536 2
8	Connection cable lifting magnet modulating valve (<i>not in figure 43</i>)	169 1019 0
9	Spare part gas valve HONEYWELL for HONEYWELL 1-stage VK 4105C	192 0765 0
10	Spare part gas valve HONEYWELL for HONEYWELL 2-stage / Natural gas VK 4115Q 2004	192 0766 0
11	Spare part gas valve HONEYWELL for HONEYWELL 2-stage / Propane VK 4105Q 2010	192 0766 1
12	Spare part gas valve HONEYWELL for HONEYWELL modulating / Natural gas VK 4105N 2005	192 0761 2
13	Spare part gas valve HONEYWELL for HONEYWELL modulating / Propane VK 4105N 2054	192 0761 0
14	Burner cup aluminum complete infra D / calor D 15-30U	126 7239 0
15	Burner cup steel complete infra D / calor D 40U Natural gas	126 7219 0
16	Fan complete with venturi infra D / calor D 15-40U with transport lock - <i>in cardboard</i>	126 7684 0
17	Gas filter complete 1/2" (for infra D / calor D 15-30U) (<i>not in figure 43</i>)	192 0756 0
18	Gas filter complete 3/4" (for infra D / calor D 40U)(<i>not in figure 43</i>)	192 0757 9
19	Spare part kit for gas filter 1/2" (<i>not in figure 43</i>)	192 0758 0
20	Spare part kit for gas filter 3/4" (<i>not in figure 43</i>)	192 0759 0



The reducing nipple reducing nipple 3/4" to 1/2" installed on site for heaters 40U has to be used again (position 5-7).

16 AGA Certification



AGA CERTIFIED PRODUCT



Certificate Holder:	SCHWANK GmbH
ABN/ACN No. (if applicable):	N/A
Manufacturer:	Schwank GmbH
Agent (if applicable):	Northwest Gas Pty Ltd
Type of Appliance:	Overhead Radiant Tube Gas Heaters (Flueless)
Model No. & Description: <i>(Refer www.aga.asn.au for more details)</i>	Schwank InfraSchwank D & CalorSchwank D 15U, 20U, 30U, 40U, 50U, 60U NovoSchwank 15U, 20U, 30U, 40U, 50U
Relevant Standard(s):	AS 4643 - 2007
Gas Type(s):	Natural & Propane

This is to certify that the particular **APPLIANCE** specifically described herein and supplied to The Australian Gas Association (hereafter called the AGA) by the Certificate Holder named above has been subject to "type-testing" and assessed by the AGA to comply with the requirements of the AGA's Product Certification Scheme for Type Tested Gas Products.

This Certificate is issued on the express conditions that:

- (i) The Certificate Holder undertakes to comply with the Rules Governing The AGA's Product Certification Scheme (hereafter called the Rules Governing);
- (ii) The Certificate Holder undertakes to affix the AGA's Certification Badge (an image of which is endorsed hereon) to every appliance of the above-named model(s) throughout the currency of the certification;
- (iii) This Certificate remains the property of the AGA; and
- (iv) The AGA reserves the right to cancel this Certificate in accordance with the Rules Governing, and in such an event the Certificate Holder undertakes to surrender the Certificate and Certification Badges to the AGA upon request.




Reviewing Officer


Certificate Authorised

Certificate first issued: **27 April 2010**

Certificate No: **7652**

QF711/10

This copy valid from: **27 April 2010** —

Refer specification issue: **01**

This Certificate issued by The Australian Gas Association ABN 98 004 206 044

17 EC type examination certificate

CE 0085



CERT

EC type examination certificate EG-Baumusterprüfbescheinigung

CE-0085BO0037

Product Identification No.
Produkt-Identnummer

Field of Application <i>Anwendungsbereich</i>	EC Gas Appliances Directive (2009/142/EC) <i>EG-Gasgeräte-Richtlinie (2009/142/EG)</i>
Owner of Certificate <i>Zertifikatinhaber</i>	Schwank GmbH Bremerhavener Straße 43, D-50735 Köln
Distributor <i>Vertreiber</i>	Schwank GmbH Bremerhavener Straße 43, D-50735 Köln
Product Category <i>Produktart</i>	Heating or air conditioning appliances: Radiant heater (dark) (3311)
Product Description <i>Produktbezeichnung</i>	Single burner gas-fired overhead radiant tube heater, which can be combined to a multi-burner system D or F
Model <i>Modell</i>	novoSchwank...; infra/calorSchwank D...
Countries of Destination <i>Bestimmungsländer</i>	AT, BE, BY, CH, CY, CZ, DE, DK, EE, ES, FI, FR, GB, GR, HR, HU, IE, IS, IT, LT, LU, LV, MT, NL, NO, PL, PT, RO, RU, SE, SI, SK, TR, UA
Test Reports <i>Prüfberichte</i>	supplement test: B14/04/1766 EU from 03.03.2014 (DBI)
Test Basis <i>Prüfgrundlagen</i>	EU/2009/142/EG (30.11.2009) DVGW VP 118 (01.09.1999) DIN EN 777-1 (01.09.2009) DIN EN 777-3 (01.09.2009) DIN 3372-6 (01.12.1988) DIN EN 416-1 (01.09.2009) DIN EN 416-2 (01.10.2006)
File Number <i>Aktenzeichen</i>	14-0108-GEA

70028-04 A-DE

30.06.2014 Rie A-1/2

Date, issued by, Street, Head of Certification Body
Datum, Bearbeiter, Blatt, Leiter der Zertifizierungsstelle

DVGW CERT GmbH is an accredited body by DAkkS according to EN 45011:1998 and notified by the government of the Federal Republic of Germany for certification of gas appliances under EC Directive 2009/142/EC.

DVGW CERT GmbH ist von der DAkkS nach DIN EN 45011:1998 akkreditierte und von der Deutschen Bundesregierung benannte Stelle für die Zertifizierung von Gasgeräten gemäß EG-Richtlinie 2009/142/EG.



Deutsche
Akkreditierungsstelle
D-ZE-16028-01-01

DVGW CERT GmbH
Zertifizierungsstelle

Josef-Wirmer-Str. 1-3
53123 Bonn

Tel. +49 228 91 88 - 888
Fax +49 228 91 88 - 993

www.dvgw-cert.com
info@dvgw-cert.com

A-2/2

CE-0085BO0037

Appliance Categories <i>Geräte kategorien</i>	Supply Pressures <i>Versorgungsdrücke</i>	Countries of Destination <i>Bestimmungsländer</i>	Remarks <i>Bemerkungen</i>
I2E(R)	20/25 mbar	BE	
I2E+	20/25 mbar	BE	
I3+	28-30/37 mbar	BE, IT, PT	
I3+	50/67 mbar	BE, PT	
I3B/P	30 mbar	CY, IS, MT	
I3B/P	50 mbar	CY, IS, MT	
I3P	37 mbar	BE	
I12E Lw3P	20, 37 mbar	PL	
I12E+3+	20/25, 28-30/37 mbar	FR	
I12E+3+	20/25, 29/37 mbar	BE	
I12E3B/P	20, 37 mbar	PL	
I12ELL3B/P	20, 50 mbar	DE	
I12ELL3P	20, 50 mbar	DE	
I12Er3P	20/25, 50 mbar	FR	
I12H3B/P	20, 30 mbar	DK, FI, LU, SE	
I12H3B/P	20, 50 mbar	AT, CH, CZ, GR, LU, RO	
I12H3B/P	25, 50 mbar	HU	
I12H3P	20, 30 mbar	EE, GR, LT, LV, NO, SK	
I12H3P	20, 37 mbar	ES, FR, GB, GR, HR, IE, IT, PT, SI, TR	
I12H3P	20, 50 mbar	CH, CZ, ES, FR, GB	
I12HS3B/P	25, 50 mbar	HU	
I12L3P	25, 50 mbar	NL	

Type <i>Typ</i>	Technical Data <i>Technische Daten</i>	Remarks <i>Bemerkungen</i>
novoSchwank 20S/... U/L; infraSchwank D 15/... U/L; calorSchwank D 15/... U/L	heat input (Hi): 11,2...15,0 kW	radiation factor (U/L): 55,7%/55,7% (infraSchwank) and 65,3%/67,2% (calorSchwank)
novoSchwank 25S/... U/L; infraSchwank D 20/... U/L; calorSchwank D 20/... U/L	heat input (Hi): 14,3...19,0 kW	radiation factor (U/L): 57,6%/56,9% (infraSchwank) and 66,8%/70,2% (calorSchwank)
novoSchwank 30S/... U/L; infraSchwank D 25/... U/L; calorSchwank D 25/... U/L	heat input (Hi): 18,8...25,0 kW	
novoSchwank 35S/... U/L; infraSchwank D 30/... U/L; calorSchwank D 30/ U/L; calorSchwank D 30/... U ST	heat input (Hi): 22,0...29,0 kW	radiation factor (U/L): 59,3%/59,9% (infraSchwank) and 70,2%/69,8% (calorSchwank) as well as 79,3 % (calorSchwank...ST)
novoSchwank 45S/... U/L; infraSchwank D 40/... U/L; calorSchwank D 40/... U/L	heat input (Hi): 30,0...39,0 kW	radiation factor (U/L): 57,8%/59,1% (infraSchwank) and 66,3%/72,7% (calorSchwank)
novoSchwank 55S/... U/L; infraSchwank D 50/... U/L; calorSchwank D 50/... U/L	heat input (Hi): 38,0...49,0 kW	radiation factor (U/L): 58,2%/60,2% (infraSchwank) and 70,8%/71,4% (calorSchwank)
novoSchwank 70S/... U/L; infraSchwank D 60/... U/L; calorSchwank D 60/... U/L	heat input (Hi): 48,0...60,0 kW	radiation factor (U/L): 57,6%/59,4% (infraSchwank) and 70,6%/70,2% (calorSchwank)

Hints of Utilization /Remarks

Verwendungshinweise / Bemerkungen

Tube form ...U: radiant pipe in U-form; tube form ...L: radiant pipe in stretched or wounded form

Type variations regarding power control: .../1: 1-stage, .../2: 2-stage, .../M: modulating

Installation codes: A3, B23, C13, C33 and C63

Installation codes B23, C13 and C33: with flue system Z-7.2-1602, 0432-BPR-119933 (Fa. Muelink & Grol) as well as 0432-CPD-219952, 0432-CPD-219983, 0432-CPD-219996 (Fa. Schröder)

The different models can be combined to a multi-burner system D and F according to DIN EN 777

The flue system can be implemented with a flue-gas heat exchanger.

The lay-out of the multi-burner systems D and F with their arm pipes, exhaust collecting pipes, exhaust chimneys and exhaust fans will be carried out by the Schwank GmbH.

Equipment: flexible hoses according to DIN 3384; types RS 331L (NG-4602AR0643, Fa. Witzenmann), MW 22 U (NG-4602BL0115, Fa. Berghöfer) and WSO (NG-4602BL0002, Fa. AZ-Pokorny)

Additionally tested appliance categories, supply pressures and countries of destination: BY, RU, UA: I12H3P (20, 37 mbar) In Belarus, Croatia, in the Ukraine and in the Russian Federation the CE-marking will be accepted as conformaty approval if the Gas Appliance Directive (2009/142/EC) is transferred into national law by Belarus, Croatia, Ukraine and Russian Federation.

18 EC declaration of conformity

Schwank
INNOVATIVE HEATING SOLUTIONS



EC Declaration of Conformity for type examined heaters

We declare that the following heaters are in conformance with the basic security and health requirements according to EC directives due to their conception and design.

Changes or modifications of the heaters without our authorization terminate the validity of this declaration.

Description:	Gas-fired Radiant Tube Heater
Model / Type:	novoSchwank 20S / 25S / 30S / 35S / 45S / 55S / 70S infraSchwank D / calorSchwank D / novoSchwank 15 / 20 / 25 / 30 / 35 / 40 / 50 / 60 80 LL / 100 LL / 120 LL (existing of 2 heaters 40/50/60 L)
Applied EC-Directives:	EC-Machinery Directive 2006/42/EG EC-Low Voltage Directive (LVD) 2006/95/EG EC-Electromagnetic Compatibility Directive (EMC) 2004/10/EG EC-Gas Appliance Directive (GAD) 90/396/EWG
EC-Type Examination Certificate:	CE-0085 BO 0037
Issued by:	DVGW Bonn / Germany
Basis of Harmonized Standards:	DIN EN 416-1, DIN EN 416-2 DIN EN 777-1 and DIN EN 777-3
Basis of National Standards:	DIN 3372-6 [12.1988]

SCHWANK GMBH
Cologne, 2014-07-08


D. Müller
Managing Director

Schwank GmbH • Bremerhavener Str. 43 • 50735 Cologne • Germany
Tel. 0049/(0)221-7176-0 • Fax: 0049/(0)221-7276-288 • E-Mail: info@schwank.de