

GB

Friendly Format

*Installation and
servicing instructions*



*The code of practice for the installation,
commissioning & servicing for central heating systems*

CERTIFICAZIONE
DEL SISTEMA DI
QUALITÀ AZIENDALE

ISO 9001
registered by

GASTEC



Friendly Format 80:
Gas Council number 4771907

Friendly Format 80 E:
Gas Council number 4771908

Friendly Format 100 E:
Gas Council number 4771909



***The code of practice for the installation,
commissioning & servicing for central heating systems***

Please refer to commissioning instructions for filling in the log book

Note: All CORGI registered installers carry a CORGI ID Card.
You can check your installer is CORGI Registered by calling 01256 372300

SIME COMBINATION BOILERS

Installer checklist

Please remember to carry out the following checks after installation. This will achieve complete customer satisfaction, and avoid unnecessary service calls. A charge will be made for a service visit where the fault is not due to a manufacturing defect.

- Has a correct by-pass been fitted and adjusted?
- Has the system and boiler been flushed?
- Is the system and boiler full of water, and the correct pressure showing on the pressure gauge?
- Is the Auto Air Vent open?
- Has the pump been rotated manually?
- Is the gas supply working pressure correct?
- Is the boiler wired correctly? (See installation manual).
- Has the D.H.W. flow rate been set to the customer requirements?
- Has the customer been fully advised on the correct use of the boiler, system and controls?
- Has the log book provided been completed?

CONTENTS

1 TECHNICAL FEATURES AND DIMENSIONS

1.1	INTRODUCTION	1
1.2	DIMENSIONAL DETAILS	
1.3	GENERAL DATA	2
1.4	HYDRAULIC CIRCUIT	3

2 GENERAL REQUIREMENTS FOR INSTALLATION

2.1	STATUTORY REQUIREMENTS	4
2.2	BOILER POSITION	
2.3	FLUE TERMINAL POSITION	
2.4	VENTILATION REQUIREMENTS	5
2.5	GAS SUPPLY	
2.6	ELECTRICITY SUPPLY	
2.7	EXTERNAL CONTROLS	
2.8	WATER SYSTEMS - GENERAL	
2.9	REQUIREMENTS FOR SEALED WATER SYSTEMS	
2.10	D.H.W. SYSTEMS	7

3 INSTALLING THE BOILER

3.1	UNPACKING THE BOILER	8
3.2	FIXING THE WALL MOUNTING BRACKET	
3.3	HANGING THE BOILER	
3.4	FLUE AND TERMINAL PREPARATION	9
3.5	FLUE AND TERMINAL INSTALLATION	10
3.6	SEPARATE DUCTS	11
3.7	WATER CONNECTIONS	13
3.8	GAS CONNECTIONS	
3.9	SAFETY VALVE CONNECTION	
3.10	WIRING INSTRUCTIONS	
3.11	TIME-CLOCK INSTRUCTIONS	14

4 COMMISSIONING AND TESTING

4.1	FILLING THE WATER SYSTEM	14
4.2	COMMISSIONING THE BOILER	
4.3	SETTING THE C.H. INPUT	15
4.4	SETTING THE D.H.W. FLOWRATE	
4.5	FINAL CHECKS	
4.6	USER'S INSTRUCTIONS	

5 ROUTINE SERVICING INSTRUCTIONS

5.1	MAIN BURNER ASSEMBLY	16
5.2	FAN ASSEMBLY	

5.3	HEAT EXCHANGER	16
5.4	RE-ASSEMBLY	
5.5	RE-COMMISSIONING	17
6	FAULT FINDING	
6.1	EARTH CONTINUITY CHECK	17
6.2	SHORT CIRCUIT CHECK	
6.3	POLARITY CHECK	
6.4	RESISTANCE TO EARTH CHECK	
6.5	C.H. MODE - FAULT FINDING ("FRIENDLY FORMAT 80" model)	18
6.6	C.H. MODE - FAULT FINDING ("FRIENDLY FORMAT 80 E - 100 E" models)	19
6.7	D.H.W. MODE - FAULT FINDING	20
7	INTERNAL WIRING DIAGRAMS AND VIEWS	
7.1	FUNCTIONAL FLOW WIRING DIAGRAM	21
7.2	INTERNAL VIEW	22
8	REPLACEMENT OF PARTS	
8.1	HEAT EXCHANGER	23
8.2	COMBUSTION CHAMBER INSULATION	
8.3	FAN ASSEMBLY	
8.4	MAIN BURNER	
8.5	IGNITION/DETECTION ELECTRODES	
8.6	GAS VALVE	24
8.7	AIR PRESSURE SWITCH	
8.8	LIMIT THERMOSTAT	
8.9	OVERHEAT THERMOSTAT	
8.10	THERMISTOR	25
8.11	IGNITION CONTROL BOX	
8.12	DRIVER PCB	
8.13	PUMP	
8.14	D.H.W. HEAT EXCHANGER	
8.15	DIVERTOR VALVE - COMPLETE	
8.16	DIVERTOR VALVE - MICROSWITCH ASSEMBLY	
8.17	C.H. EXPANSION VESSEL	
8.18	PRESSURE GAUGE	26
8.19	SAFETY VALVE	
8.20	AUTOMATIC AIR VENT	
8.21	TIME CLOCK	
9	SHORT LIST OF PARTS	27

1 TECHNICAL FEATURES AND DIMENSIONS

1.1 INTRODUCTION

The Sime "FRIENDLY FORMAT" are wall mounted, fan assisted balanced flue combination boilers.

The appliance is supplied suitable for use with natural gas, (a conversion kit is available for LPG) and provide central heating and instantaneous production of D.H.W. Heat output is varied according to demand by the modulating gas control on both D.H.W. and C.H.

The appliance is supplied with a concentric air and flue duct suitable for wall thicknesses up to 740 mm (29 in) although extension duct kits are available and may be used up to a total flue length of 3.0 m (118 in).

The combined flue and air duct can exit the boiler from either side or from the rear of the appliance.

A vertical extension and additional flue elbow may be fitted. If required, the boilers can also be fitted with a separate flues kit (see section 3 for details).

The boiler is designed for use with sealed primary water systems and is supplied fully assembled and equipped with complete valve packs.

If the wall thickness is less than 0.5 m (19 in) the appliance can be installed from inside the room without access to the external wall although a wall liner is required.

This is available as an optional extra, and full details are given in section 3.

The boiler can be used with a 240V room thermostat (class II according to EN 60730.1). This booklet provides instructions for the following boiler models:

- "FRIENDLY FORMAT 80" with electronic ignition and modulation;
- "FRIENDLY FORMAT 80 E" with electronic ignition and modulation, mechanical time clock built-in ex factory.
- "FRIENDLY FORMAT 100 E" with electronic ignition and modulation, mechanical time clock built-in ex factory.

1.2 DIMENSIONAL DETAILS

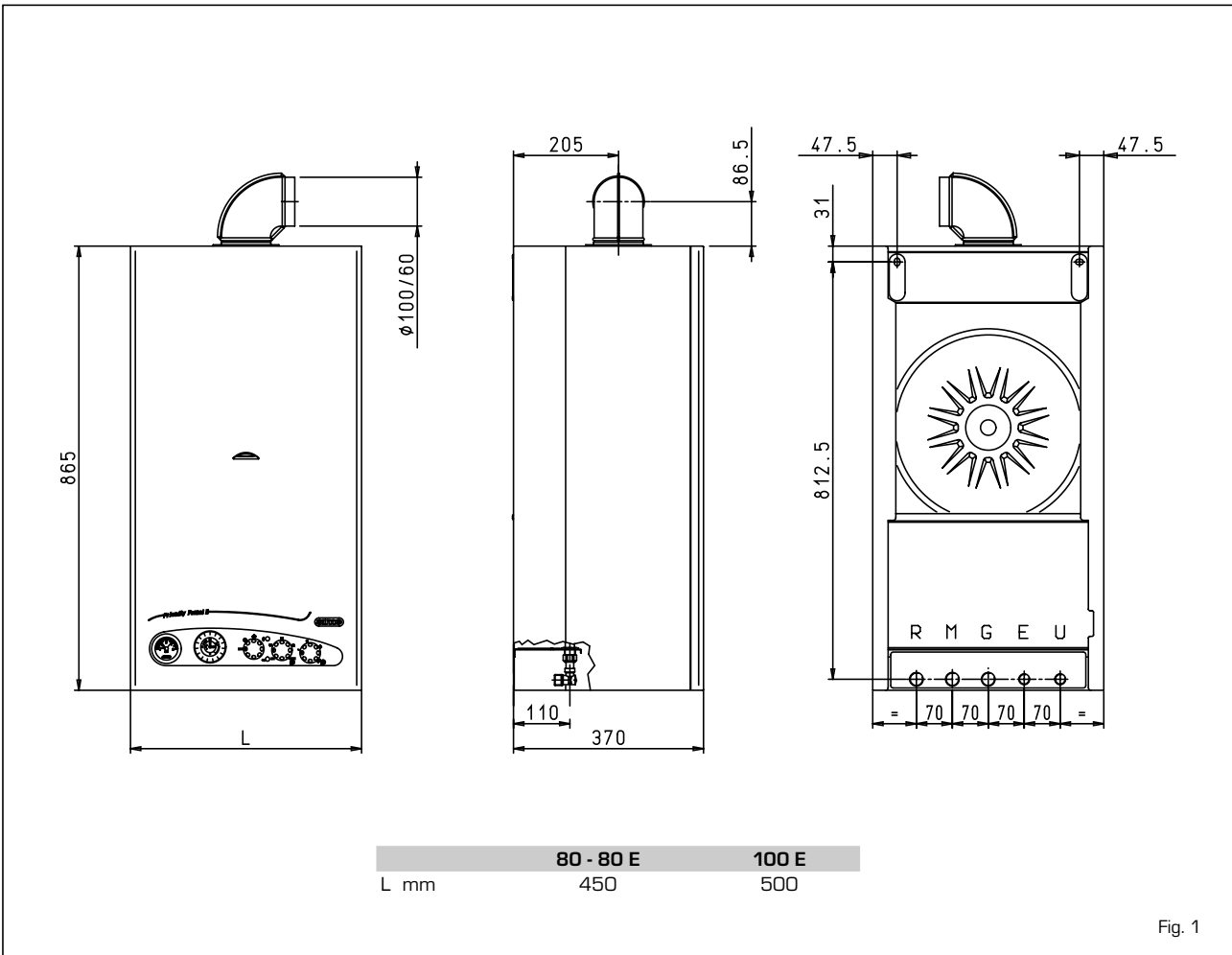


Fig. 1

TABLE 1 - Connections

R	C.H. return	22 mm	Compression
M	C.H. flow	22 mm	Compression
G	Gas connection	1/2 in	Bsp
E	Cold water	15 mm	Compression
U	Hot water	15 mm	Compression

TABLE 2 - Minimum clearances

ABOVE THE APPLIANCE CASING	200 mm	8 in
AT THE R.H.S.	90 mm	3 1/2 in
AT THE L.H.S.	5 mm	1/4 in
BELOW THE APPLIANCE CASING	200 mm	8 in
IN FRONT OF THE APPLIANCE	450 mm	18 in

1.3 GENERAL DATA

TABLE 3a - Nominal boiler ratings (5 minutes after lighting) for "FRIENDLY FORMAT 80 - 80 E"

MODE	OUTPUT		INPUT (G.C.V.)		BURNER PRESSURE		
	kW	Btu/h	kW	Btu/h	mbar	inwg	
CENTRAL HEATING RANGE		9.4	32,000	12.0	40,900	1.5	0.6
		11.7	40,000	15.2	51,800	2.5	1.0
		13.8	47,000	17.7	60,400	3.4	1.4
		16.1	55,000	20.2	68,800	4.4	1.8
		17.6	60,000	22.1	75,600	5.4	2.2
	X*	19.0	65,000	23.7	80,900	6.0	2.4
		20.8	71,000	25.7	87,800	7.4	3.0
		22.3	76,000	27.3	93,200	8.3	3.3
		23.4	80,000	28.6	97,700	9.3	3.7
	DOMESTIC HOT WATER	Max.	23.4	80,000	28.6	97,700	9.3
	Min.	9.4	32,000	12.0	40,900	1.5	0.6

* Factory setting

TABLE 3b - Nominal boiler ratings (5 minutes after lighting) for "FRIENDLY FORMAT 100 E"

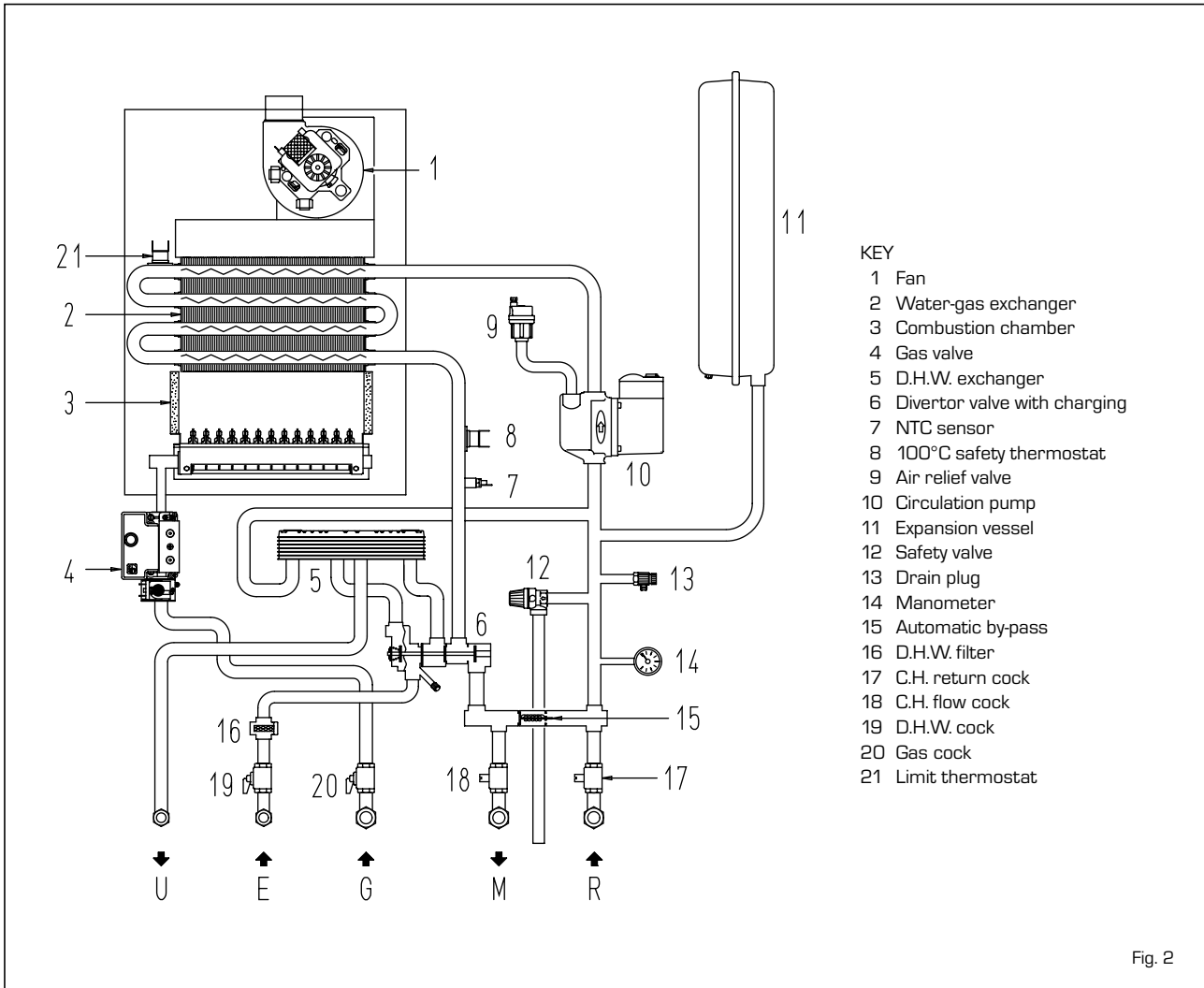
MODE	OUTPUT		INPUT (G.C.V.)		BURNER PRESSURE		
	kW	Btu/h	kW	Btu/h	mbar	inwg	
CENTRAL HEATING RANGE		11.4	39,000	14.9	51,000	1.5	0.6
		13.5	46,000	17.4	59,500	2.3	0.9
		15.8	54,000	20.2	69,100	3.2	1.3
		17.8	61,000	22.6	77,500	4.1	1.6
		19.0	65,000	23.8	81,250	4.5	1.8
	X*	22.2	76,000	27.6	94,550	6.7	2.7
		24.6	84,000	30.3	103,650	7.7	3.1
		26.6	91,000	32.5	111,250	9.2	3.7
		29.3	100,000	35.1	120,000	10.4	4.2
	DOMESTIC HOT WATER	Max.	29.3	100,000	35.1	120,000	10.4
	Min.	11.4	39,000	14.9	51,000	1.5	0.6

* Factory setting

TABLE 4 - General specifications

		80 - 80 E		100 E	
Main burner injectors	No off		13		15
	Dia	mm	1.3		1.3
Water capacity		l (gal)	3.4 (0.85)		3.4 (0.85)
Minimum water flow	D.H.W.	l/min (gal/min)	2 (0.5)		2 (0.5)
D.H.W. flow rate					
at a temperature rise of	30°C	l/min (gal/min)	11.2 (2.5)		13.8 (3.0)
	35°C	l/min (gal/min)	9.6 (2.1)		11.9 (2.6)
Static head	Minimum	bar (psi)	0.5 (7.3)		0.5 (7.3)
	Maximum	bar (psi)	3.0 (43.5)		3.0 (43.5)
D.H.W. pressure	Minimum	bar (psi)	0.5 (7.3)		0.5 (7.3)
	Maximum	bar (psi)	7.0 (102)		7.0 (102)
Weight	Empty	kg (lb)	43 (95)		49 (108)
	Total (full)	kg (lb)	46.5 (102)		52.5 (116)
Electrical supply	230 V - 50 Hz, Fused at 3 A				
Internal fuse	Line: F 1.6 A				
Maximum power consumption	Watt		150		160
Maximum gas consumpt. (G20)	m ³ /h (ft ³ /h)		2.72 (96)		3.34 (118)
Max. working temperature	°C (F)		95 (203)		95 (203)
Integral exp. vessel capacity	l (gal)		7 (1.5)		10 (2.2)

1.4 HYDRAULIC CIRCUIT



2 GENERAL REQUIREMENTS FOR INSTALLATION

2.1 STATUTORY REQUIREMENTS

GAS SAFETY (INSTALLATION AND USE) REGULATIONS (as amended). It is the law that all gas appliances are installed by a registered person, in accordance with the above regulations. Failure to install appliances correctly could lead to prosecution. It is in your own interest, and that of safety, to ensure that the law is complied with.

In addition to the above regulations, this appliance must be installed in accordance with the current IEE Wiring Regulations (BS 7671), Local Building Regulations, the Building Standards (Scotland) (Consolidation) Regulations, Byelaws of the local water undertaking, and Health and Safety Document No 635 "The Electricity at Work Regulations 1989". It should also be in accordance with the relevant recommendations in the current editions of the following British Standards and Codes of Practice: BS5449, BS5546, BS5440:1, BS5440:2, BS6798, BS6891, and BG.DM2, BS7074, and BS5482 for propane installations.

Manufacturer's instructions must NOT be taken in any way as over-riding statutory obligations.

2.2 BOILER POSITION

In siting the combination boiler, the following limitations MUST be observed:

- The boiler is not suitable for external installation. The position selected for installation should be within the building, unless otherwise protected by a suitable enclosure, and MUST allow adequate space for installation, servicing, and operation of the appliance, and for air circulation around it (section 2.4).
- This position MUST allow for a suitable flue termination to be made. The combination boiler must be installed on a flat vertical wall which is capable of supporting the weight of the appliance, and any ancillary equipment.
- If the combination boiler is to be fitted in a timber framed building it should be fitted in accordance with the Institute of Gas Engineers document for Gas Installations In Timber Frame Housing, Reference 16E/UP/7: 1998. If in doubt, advice must be sought from the gas supplier.
- If the appliance is installed in a room containing a bath or shower, any electrical switch or control utilising mains electricity must be so situated that it cannot be touched by a person using the bath or shower. Attention is drawn to the requirements of the current I.E.E. Wiring Regulations (BS 7671), and in Scotland the electrical provisions of the Building Regulations applicable in Scotland.
- A compartment used to enclose the appliance MUST be designed and constructed specifically for this purpose. An existing cupboard, or compartment, may be used provided it is modified accordingly.
- Where installation will be in an unusual location, special procedures may be necessary. BS6798 gives detailed guidance on this aspect.

2.3 FLUE TERMINAL POSITION

Detailed recommendations for flue installation are given in BS5440:1. The following notes are for general guidance:

- The boiler MUST be installed so that the terminal is exposed to the external air:

- It is important that the position of the terminal allows free passage of air across it at all times.
- It is ESSENTIAL TO ENSURE, in practice that products of combustion discharging from the terminal cannot re-enter the building, or any other adjacent building, through ventilators, windows, doors, other sources of natural air infiltration, or forced ventilation/air conditioning. If this does occur, the appliance MUST be turned OFF IMMEDIATELY and the gas supplier consulted.
- The minimum acceptable dimensions from the terminal to obstructions and ventilation openings are specified in fig. 3.

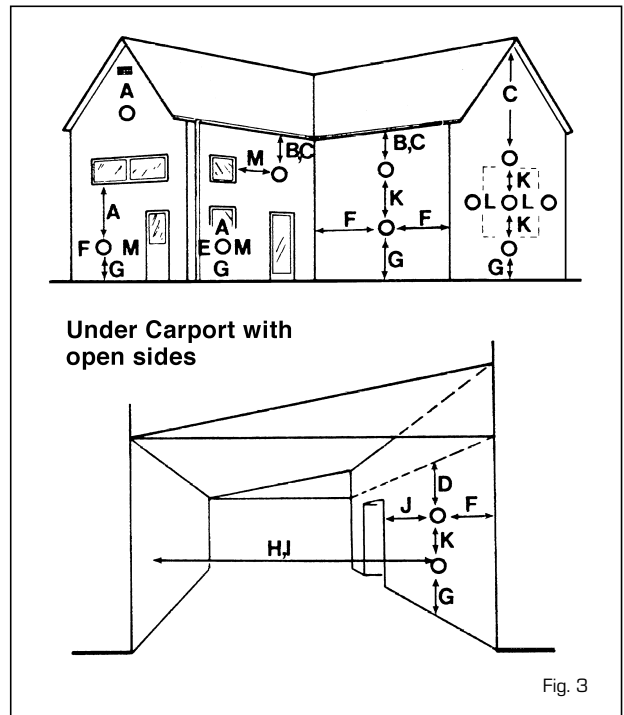


Fig. 3

TABLE 5

Terminal position	Minimum spacing
A Directly below an openable window, air vent or any other ventilation opening	300 mm 12 in
B Below guttering, drain pipes or soil pipes	75 mm 3 in
C/D Below eaves, balconies or carport roof	200 mm 8 in
E From vertical drain pipes or soil pipes	75 mm 3 in
F From internal or external corners	300 mm 12 in
G Above adjacent ground, roof or balcony level	300 mm 12 in
H From a surface facing the terminal	600 mm 24 in
I From a terminal facing the terminal	1,200 mm 48 in
J From an opening in the carport (eg door, window into dwelling)	1,200 mm 48 in
K Vertically from a terminal on the same wall	1,500 mm 60 in
L Horizontally from a terminal on the same wall	300 mm 12 in
M Adjacent to opening	300 mm 12 in

- If the terminal discharges into a pathway or passageway check that combustion products will not cause nuisance and that the terminal will not obstruct the passageway.
- Where the lowest part of the terminal is fitted less than 2 m (78 in) above ground, above a balcony or above a flat roof to which people have access, the terminal MUST be

protected by a purpose designed guard. Terminal guards are available from Quinnell, Barrett, and Quinnell, Old Kent Road, London. State model C2, (G.C. Part No 382946).

- Where the terminal is fitted within 850 mm (34 in) of a plastic or painted gutter, or 450 mm (18 in) of painted eaves, an aluminium shield at least 1,500 mm (59 in) long must be fitted to the underside of the painted surface.
- The air inlet/outlet flue duct MUST NOT be closer than 25 mm (1 in) to combustible material.
- In certain weather conditions the terminal may emit a plume of steam. This is normal but positions where this would cause a nuisance should be avoided.

2.4 VENTILATION REQUIREMENTS

Detailed recommendations for air supply are given in BS5440:2. The following notes are for general guidance:

- It is not necessary to have a purpose provided air vent in the room or internal space in which the appliance is installed.

2.5 GAS SUPPLY

- The gas supplier should be consulted at the installation planning stage in order to establish the availability of an adequate supply of gas.
- An existing service pipe MUST NOT be used without prior consultation with the gas supplier.
- A gas meter can only be connected by the gas supplier or their contractor.
- An existing meter should be of sufficient size to carry the maximum boiler input plus the demand of any other installed appliance. (BS6891: 1988). The gas required for the boiler is specified in *Table 4*.
- The governor at the meter must give a constant outlet pressure of 20 mbar (8 inwg) for natural gas when the appliance is running.
- The gas supply line should be purged.

NOTE: Before purging open all doors and windows, also extinguish any cigarettes, pipes, and any other naked lights.

- The complete installation must be tested for gas soundness.
- It is important to assure an adequate gas supply to the appliance. No more than 3 m of 15 mm pipe should be used. Where the supply exceeds 3 m the pipe should be suitably sized only reducing to 15 mm for the last 3 m prior to the appliance.

2.6 ELECTRICITY SUPPLY

The appliance MUST be earthed. A mains supply of 230 V - 50 Hz single phase is required. All external controls and wiring MUST be suitable for mains voltage.

Wiring should be in 3 core PVC insulated cable NOT LESS than 0.75 mm² (24 x 0.2 mm) to BS6500, Table 16. Wiring external to the boiler MUST be in accordance with current I.E.E. Wiring Regulations (BS 7671) and local regulations. The supply connection to the flying lead provided MUST be made to a fused double pole switch, having a 3 mm (1/8 in) contact separation in both poles, serving only the boiler and system

controls. The fuse rating should be as per the original instructions. This connection should be readily accessible and be made adjacent to the boiler (except in the case of bathroom installations for domestic boilers where the point of connection to the mains MUST be outside of the bathroom).

2.7 EXTERNAL CONTROLS (Refer to section 3.10)

The boiler is intended for use with a 240 V room thermostat. The connection is made inside the control box as described in section 3.10.

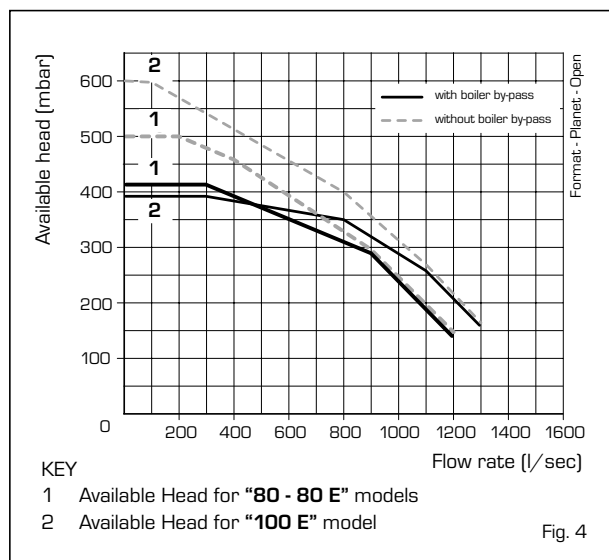
2.8 WATER SYSTEMS - GENERAL

- This appliance is designed for connection to sealed central heating water systems.
- Check that the mains water pressure is sufficient to produce the required D.H.W. flow rate, but does not exceed the maximum D.H.W. pressure (*Table 4*). If necessary, a pressure reducing valve must be fitted to the mains supply before the D.H.W. inlet connection.

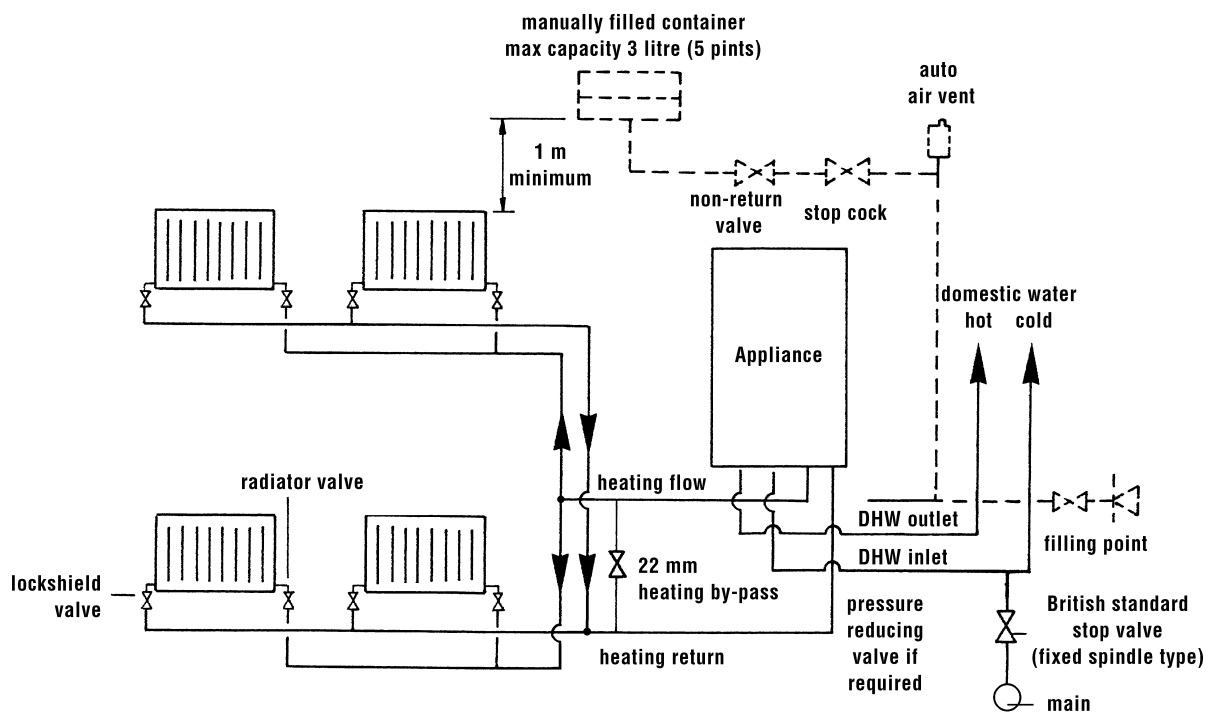
2.9 REQUIREMENTS FOR SEALED WATER SYSTEMS

The heating system design should be based on the following information:

- The available pump head is given in fig. 4.
- A minimum flow rate corresponding to a heating differential of 11°C must be obtained at all times.
- A heating by-pass is usually only required when micro-bore piping is used on the system.** If however condition (b) can not be satisfied a heating by-pass should be fitted. If thermostatic radiator valves are to be installed, at least one radiator should be without a thermostatic valve (usually the bathroom radiator).
- A sealed system must only be filled by a competent person using one of the approved methods shown in fig. 6. The system design should incorporate the connections appropriate to one of these methods.
- The following paragraphs outline the specifications of the items fitted to the boiler:



TYPICAL SYSTEM DESIGN

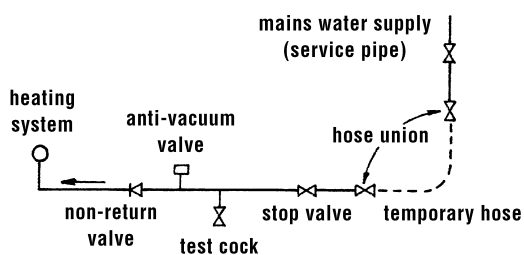


NOTE: A drain cock should be installed at the lowest point of the heating circuit and beneath the appliance.

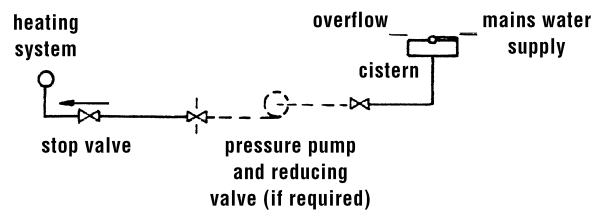
Fig. 5

ALTERNATIVE METHODS OF FILLING A SEALED SYSTEM

METHOD 1 (complies with BS6798.1987)



METHOD 2 (complies with BS6798.1987)



NOTES:

- When it is not possible to avoid a situation where the initial system pressure and static head are equal a manually fitted top up container should be fitted as shown above. Take note of the requirements relative to container capacity: height above system, inclusion of a non-return valve, stop cock and automatic air vent in the feed pipe, as shown in fig. 5. Note also the feed pipe connection is made to the heating return as close to the appliance as possible.
- The Local Water Undertaking MUST approve ALL connections between the system and a water storage cistern or water main supplying D.H.W.

Fig. 6

2.9.1 Pump

The available head shown in fig. 4 is that in excess of the appliance hydraulic resistance, i.e. that available for the system at any given heating load up to the maximum output in C.H. mode. Never reduce the pump speed below maximum as this will reduce D.H.W. output. The pump speed is indicated on the side of the pump speed selector switch (if fitted).

2.9.2 System volume (total water content)

The following Table gives the maximum system volume that the integral expansion vessel can sustain under different charge pressure conditions.

If the system volume exceeds that shown, an additional expansion vessel must be fitted and connected to the heating system primary return pipe as close as possible to the appliance.

If an extra vessel is required, ensure that the total capacity of both vessels is adequate. Further details are available in the current issues of BS5449 and BS6798.

NOTE: If the pressure gauge indicates 2.65 bar or greater when the appliance is at maximum temperature with all radiators in circulation an extra expansion vessel is required.

TABLE 6

Vessel charge and initial system pressure	bar psi	0.5 7.3	1.0 14.5	1.5 21.8
Total water content of system using 7 l (1.54 gal) capacity expansion vessel supplied with appliance ("FRIENDLY FORMAT 80 - 80 E")	l gal	87 19.1	64 14.0	44 9.7
Total water content of system using 10 l (2.2 gal) capacity expansion vessel supplied with appliance ("FRIENDLY FORMAT 100 E")	l gal	124 27.3	91 20.0	63 13.9
For systems having a larger capacity multiply the total system capacity in litres (gal) by the factor to obtain the total minimum expansion vessel capacity required litres (gal)		.0833	.109	.156

2.9.3 Pressure gauge

A pressure gauge is mounted on the appliance fascia panel.

2.9.4 Safety valve

A safety valve set at 3 bar (43.5 psi) is fitted to the appliance and a discharge pipe is routed to outside of the appliance. This discharge pipe should be extended to terminate safely away from the appliance and where a discharge would not

cause damage to persons or property but would be detected. The pipe should be able to withstand boiling water, be a minimum of 15 mm in diameter, and not include any horizontal runs prone to freezing.

2.10 D.H.W. SYSTEMS

- The authority of the local Water Company should be obtained before the appliance is connected to the cold water mains supply. Check that the mains supply pressure is within the prescribed limits (Table 4).
If necessary, a pressure reducing valve should be fitted to the mains supply before the D.H.W. inlet connection.
- The final 600 mm (24 in) of the mains supply pipe to the boiler must be copper.
- A maximum D.H.W. flow rate of 10.3 l/m (2.3 gpm) (13 l/m (2.9 gpm) for "FRIENDLY FORMAT 100 E") is recommended. Higher flow rates will not damage the appliance but may lower the water temperature below an acceptable level.
- If the appliance is installed in an area where the temporary hardness of the water supply is high, say over 150 ppm, the fitting of an in line scale inhibitor may be an advantage. Consult the Local Water Undertaking if in doubt.
- Devices capable of preventing the flow of expansion water: e.g. non return valves and/or loose-jumpered stop cocks should not be fitted unless separate arrangements are made for expansion water.
- For specific information relating to fittings (eg. Showers, washing machines etc.) suitable for connection in the D.H.W. circuit, consult the Local Water Undertaking, however the following information is given for guidance.

2.10.1 Domestic hot/cold water supply taps and mixing taps

All equipment designed for use at mains water pressure is suitable.

2.10.2 Showers

Any mains pressure shower is suitable, but if the unit has a loose head which may become immersed in bath water either an anti-syphonage device must be fitted, or the length of the flexible hose must be reduced so that it cannot fall closer than 13 mm (1/2 in) to the top of the bath.

2.10.3 Bidets

Providing that the appliance is of the over-rim flushing type, the outlets are shrouded and it is impossible to attach a temporary hand held spray, no anti syphonage device is necessary.

3 INSTALLING THE BOILER

3.1 UNPACKING THE BOILER

The standard appliance is supplied in two separate cardboard cartons. In addition up to two extension duct kits may be used. If the appliance is to be installed without access to the outside wall, the wall liner will also be required. Unpack each carton and check the contents against the following lists:

Appliance package:

- combination boiler (assembled);
- installation and servicing instructions;
- users instructions;
- wall mounting templates (paper);
- wall mounting bracket assembly ;
- fixing screws with wall plugs;
- plastic bags containing:
 - gas service cock;
 - C.H. F/R isolation valves;
 - D.H.W. isolation valve;
 - D.H.W. elbow connection;
 - D.H.W. compression fitting;
 - aluminium ring;
 - associated fixing screws;
 - associated gaskets;
 - safety valve discharge pipe.

Flue Package:

- inner duct (flue) c/w flue terminal and centering springs;
- outer duct (air);
- junction collar with protective metal sleeve;
- flue elbow with gasket;
- rubber sealing ring.

3.2 FIXING THE WALL MOUNTING BRACKET

Before installing the appliance ensure that the chosen location is suitable (section 2.2) and that the requirements for flue position, (section 2.3), and minimum clearances, (Table 2) are satisfied. These minimum clearances are essential to provide access for servicing, and are included on the wall mounting templates.

- Open the paper wall mounting templates. If a rear flue is to be used, discard the side templates and secure the rear template in the desired position. For a side flue application, secure both the rear and appropriate side template in position.
- Mark the position of the two wall mounting bracket fixing holes, the two lower frame fixing holes, and the flue/air duct hole on the appropriate wall(s).
- Remove the template(s) and drill the top two fixing holes using a 10 mm masonry drill and the bottom two fixing holes using a 6 mm masonry drill. Fit the plastic plugs provided.
- Cut the hole in the wall for the flue/air duct. The diameter should not be less than 100 mm (4 in) and must be horizontal. If the hole is not accessible from the outside of the building, its minimum diameter should be sufficient to allow the insertion of the wall liner (130 mm - 5 1/4 in diameter) which will be sealed with mortar. Refer to fig. 13. (The wall liner is available as an optional extra).
- Accurately measure the wall thickness, and note this dimension for later use.

- Secure the wall mounting bracket in position using the screws provided. Ensure that it is the correct way up, as indicated in fig. 7.

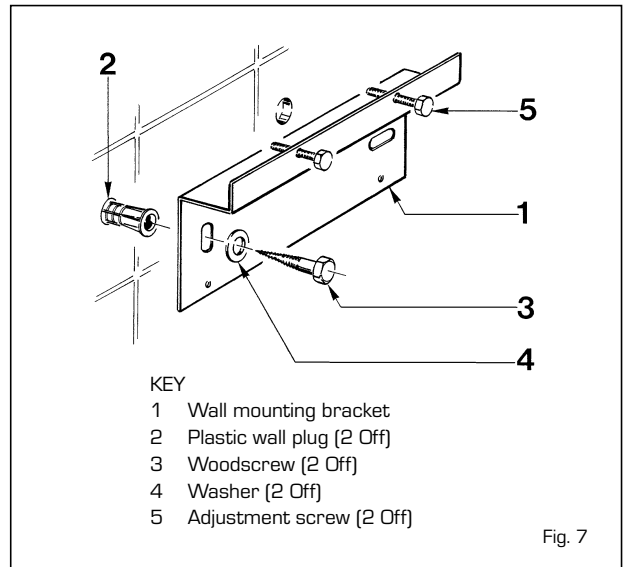


Fig. 7

3.3 HANGING THE BOILER

- Remove the outer casing front panel fixing screw (6 fig. 8) and remove the front panel (5 fig. 8) by pulling forwards, starting at the top corners.
- Lift the appliance into position. The upper cross member locates onto the wall mounting bracket. Slide the appliance sideways (if necessary) until the lower frame fixing holes line up with the wall plugs.
- Screw in the wall mounting bracket adjusting screws until the appliance is secure and vertical, then fit the two lower fixing screws to prevent any further movement using a long screwdriver.

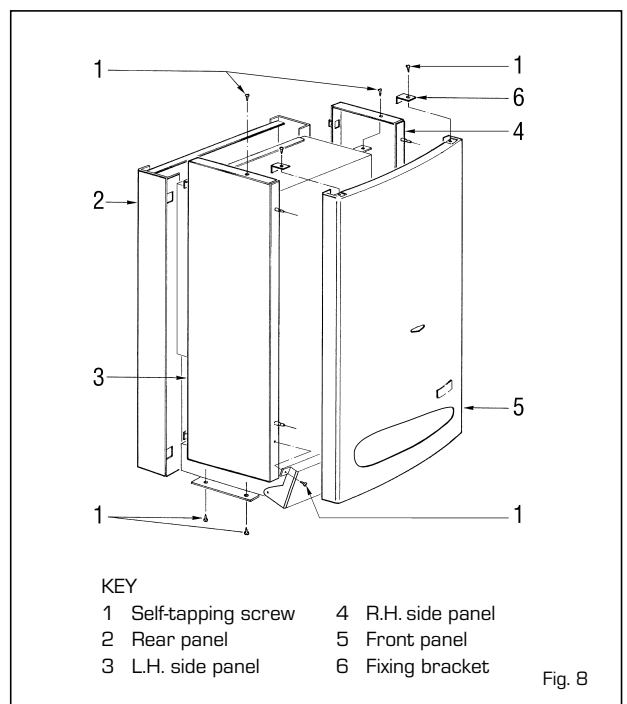


Fig. 8

3.4 FLUE AND TERMINAL PREPARATION

If the wall thickness is less than 0.5 m [19 in] the flue/air duct may be fitted without access to the outside wall providing that the optional wall liner kit is used. (This consists of a steel pipe, 0.5 m long and 129 mm outside diameter with a 1 mm wall thickness).

3.4.1 Flue/air duct lengths

- Determine whether an extension duct is required with reference to the **Z** dimension shown in figs. 10-11-13. Alternatively max. flue lengths information is given in *Table 7*.
 - Z** Dimension UP TO 945 mm.
No extension duct required.
 - Z** Dimension greater than 945 mm and up to 1,760 mm.
One extension duct kit required.
 - Z** Dimension greater than 1,760 mm and up to 2,575 mm.
Two extension duct kits required.
 - Z** Dimension greater than 2,575 mm and up to 3,000 mm.
Three extension duct kits required.
 - Z** Dimension greater than 3,000 mm.
NOT PERMITTED.
- If no extension ducts are required, proceed to 3.4.2.
 - If an extension duct or ducts is/are to be used, the flue and air ducts should be joined before proceeding to the next section. The extension ducts should be joined to each other and to the standard ducts using the following procedure (fig. 9);
 - For the flue ducts in turn, push the plain end of the standard and (if using two or three extensions) extension duct into the swaged end of the extension duct(s).
 - Push an air duct in to the clamp. Join the air ducts (larger ducts) and tighten the screws on the clamp to connect them.

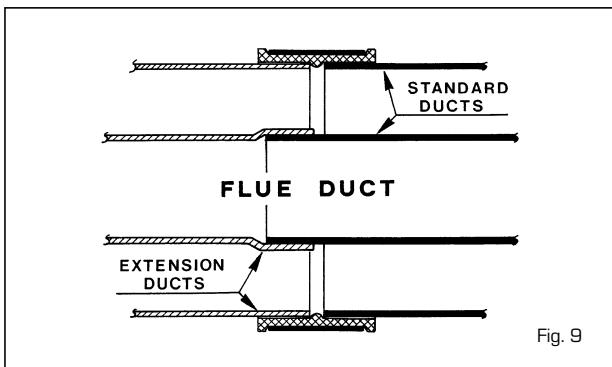


Fig. 9

3.4.2 Cutting the flue/air duct to the correct length

Rear flue outlet (Only - fig. 10)

- Select the air duct (larger duct) and starting at the formed end, 'mark off' the length to be cut which is the wall thickness **X** + 130 mm [5 1/8 in].

Side flue outlet (Only - fig. 11)

- Select the air duct (larger duct) and starting at the formed end, 'mark off' the length to be cut which is the wall thickness **X** + the clearance **Y** plus 180 mm [7 1/4 in].

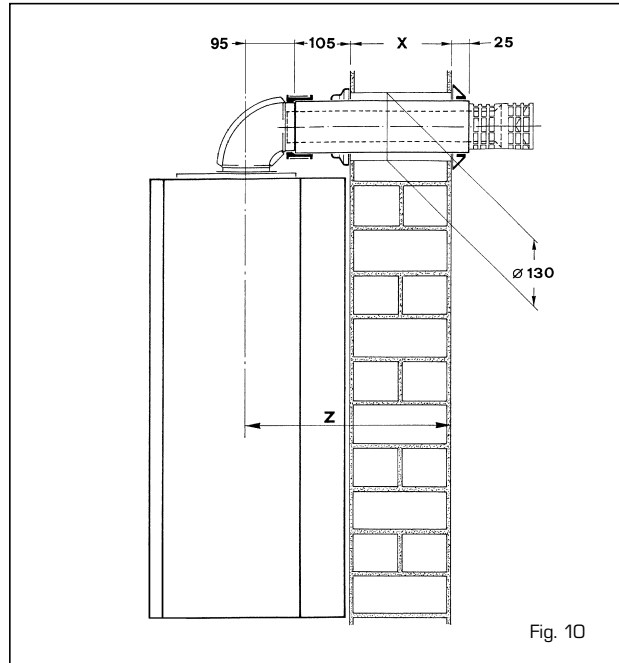


Fig. 10

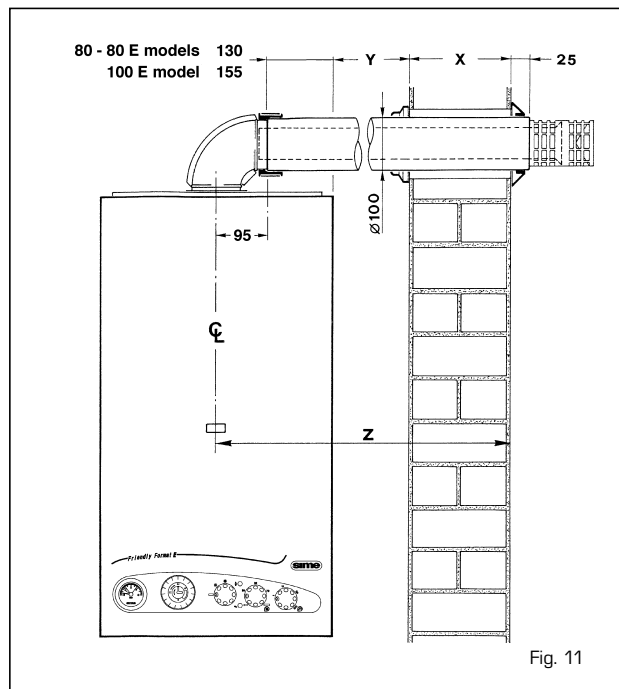


Fig. 11

TABLE 7 - Maximum flue lengths
(measured from appliance casing to outside wall face)

FRIENDLY FORMAT 80 - 80 E	Rear outlet		R.H./L.H. side outlet	
	mm	in	mm	in
STANDARD FLUE KIT	740	29	715	28
WITH 1 EXTENSION KIT	1,555	61 1/4	1,530	60 1/4
WITH 2 EXTENSION KITS	2,370	93 1/4	2,345	92 1/4
WITH 2 1/2 EXTENSION KITS	2,795	110	2,775	109 1/4

FRIENDLY FORMAT 100 E	Rear outlet		R.H./L.H. side outlet	
	mm	in	mm	in
STANDARD FLUE KIT	740	29	690	27 1/4
WITH 1 EXTENSION KIT	1,555	61 1/4	1,505	59 1/4
WITH 2 EXTENSION KITS	2,370	93 1/4	2,320	91 1/4
WITH 2 1/2 EXTENSION KITS	2,795	110	2,750	108 1/4

All installations

- Cut the air duct square to the mark and remove all burrs and sharp edges.
- Refer to fig. 12. Hold the air duct at the plain end, and slide the flue duct (small duct) inside the air duct (terminal first) until the external swage of the terminal stops against the internal swage of the air duct, then mark off the length to be cut which leaves 20 mm protruding flue duct.
- Remove and cut the flue duct square to the mark and remove all burrs and sharp edges.

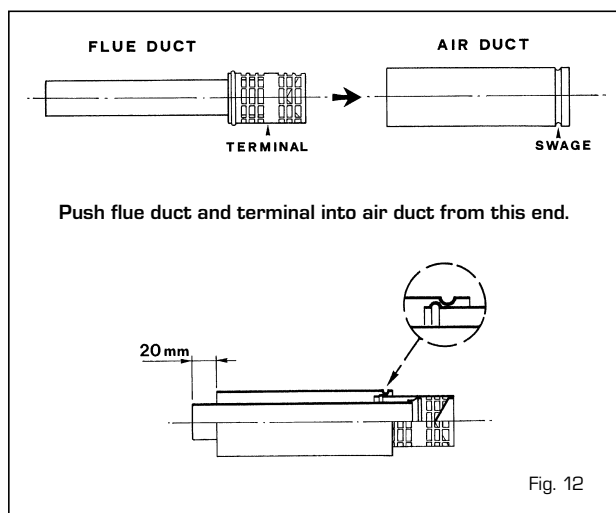


Fig. 12

3.5 FLUE AND TERMINAL INSTALLATION

3.5.1 Installations from inside the room

Wall thicknesses up to 0.5 m (19 in) only, Hole diameter sufficient to accept wall liner 130 mm (5 1/4 in) if optional kit is used.

- A wall liner, 127 mm (5 in) internal diameter, 500 mm (19 in) long is available as an optional extra for use when fitting the flue/air duct from inside the building, (or where it is required to seal the hole through a cavity wall). Cut the liner to the wall thickness, insert into the hole, and seal with mortar at inner and outer wall faces. Access to the outside can be made by inserting one's hand through the liner.
- Fit the rubber sealing ring into the swaged groove in the

air duct as shown in fig. 13. Ensure that it is the correct way around and spray the outside surface with talcum powder or soap solution to reduce friction.

- Push the flue duct assembly into the air duct until the external swaged ring on the flue terminal stops against the internal swage on the air duct (fig. 12).
- From inside the building slide the duct assembly into the wall liner until the sealing ring passes completely through the wall, then pull the air duct back until the ring is pulled up to the wall surface.
- Proceed to section 3.5.3.

3.5.2 Installations from outside the building only (Hole diameter 100 mm - 4 in)

- Push the flue duct assembly into the air duct until the external swaged ring on the flue terminal stops against the internal swage on the air duct (fig. 12).
- From inside or outside the building, slide the duct assembly into the wall until the sealing ring forms a good seal against the outside wall.
- Fit the rubber sealing ring into the swaged groove in the air duct as shown in fig. 13. Ensure that it is the correct way around.

3.5.3 Connecting the duct assembly - All installations

- With reference to fig. 13, slide on the aluminium retention ring (D), check that the rubber sealing ring (E) is pulled up to the wall and that the duct assembly is horizontal, then secure the aluminium retention ring to the air duct using the two screws (H) provided. Do not overtighten the screws.
- Push the junction collar (B) over the air duct until the air duct touches the inner part of the collar where the diameter becomes smaller.
- Push the elbow socket into the junction collar and onto the flue duct.
- Fit the protective metal collar (I) over the junction collar.
- Remove the six fixing screws securing the sealed chamber front panel then remove the panel.
- Place the gasket (G) under the flange of the elbow and fit the elbow onto the top of the appliance, taking care to ensure that the silicon seal on the fan outlet correctly engages and forms a seal at its joint with the elbow. This must be checked from inside the sealed chamber.

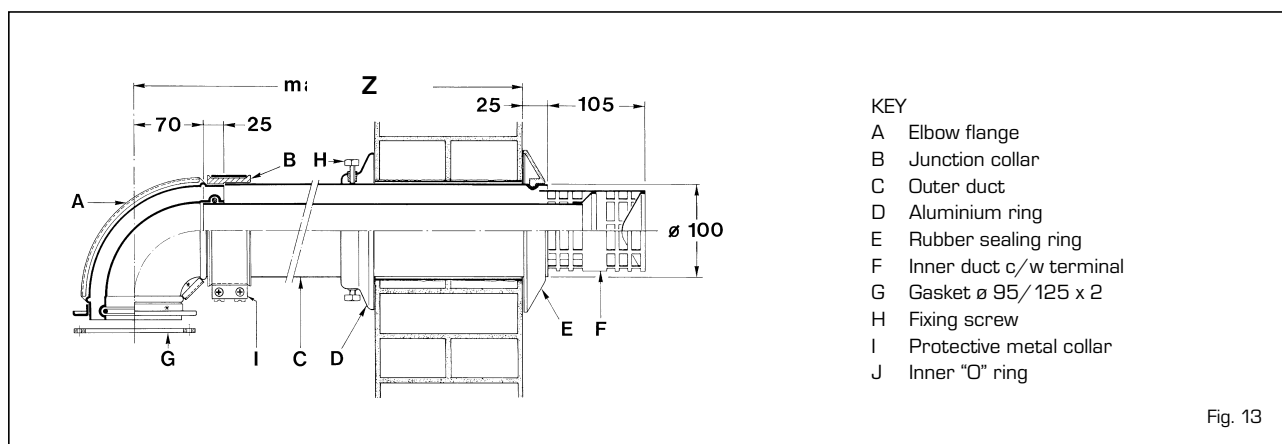


Fig. 13

- Secure the elbow onto the top of the appliance using the four screws and washers provided, and refit the sealed chamber front panel.

3.6 SEPARATE DUCTS (Optional alternative twin pipe system)

When installing the separate ducts, comply with the requirements of the current standards, as well as the following practical pointers:

- The temperature on the surface of the discharge pipe, in the portions that pass through masonry and/or come into contact with walls should not exceed room temperature by more than 60°C (pr EN 483).
- With direct intake from outside, when the pipe is longer than 1 m, you are recommended to insulate the piping so as to prevent formation of dew on the outside of the piping during particularly cold periods of the year.
- With the outlet pipe outside the building or in cold indoor environments, insulation is necessary to prevent burner ignition failure.

In such cases, provide for condensate drainage.

The maximum overall length of the intake and exhaust ducts depends on the head losses of the single fittings installed (excluding the adaptors) and must not be greater than 7.00 mm H₂O ("80 - 80 E" models) and 11.00 mm H₂O ("100 E" model). For head losses in the fittings, refer to Table 8.

Example of allowable installation calculation ("FRIENDLY FORMAT 80 - 80 E" models) in that the sum of the head losses of the single fittings is less than 7.00 mm H₂O:

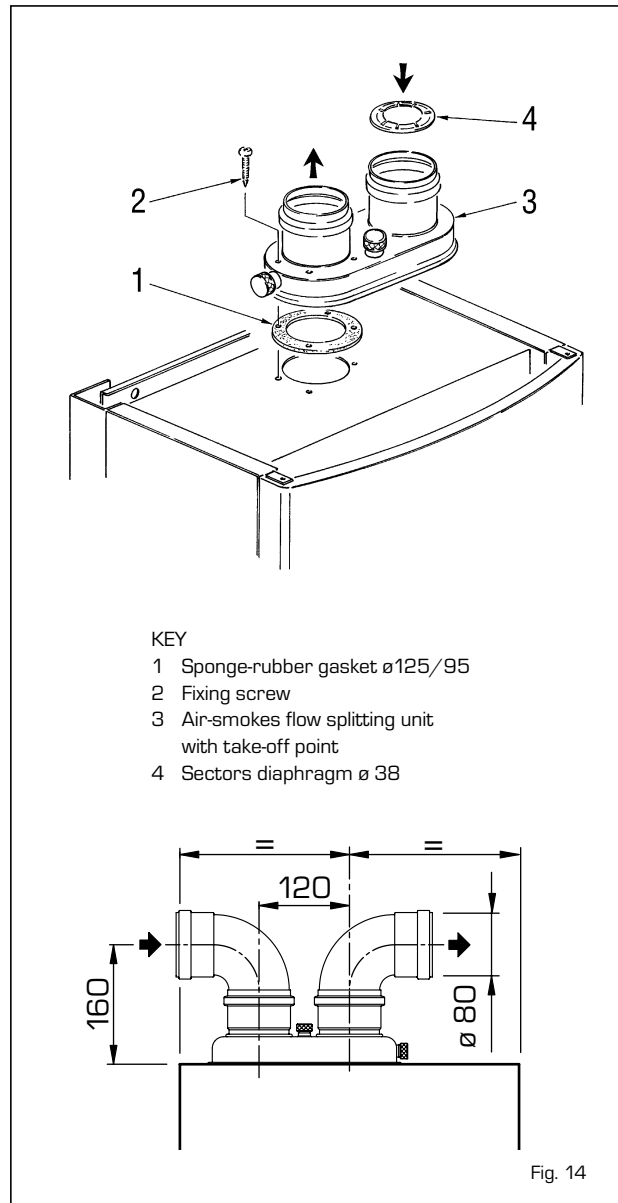
	Intake	Outlet
7 meter horizontal pipe ø 80 x 0.20	1.40	-
7 meter vertical pipe ø 80 x 0.30	-	2.10
n° 2 90° elbows ø 80 x 0.30	0.60	-
n° 2 90° elbows ø 80 x 0.40	-	0.80
N° 1 terminal ø 80	0.10	0.30

Total head loss = 2.10 + 3.20 = 5.3 mm H₂O

With this total head loss, remove the ø 38 baffle from the intake pipe.

3.6.1 Separate flue accessories

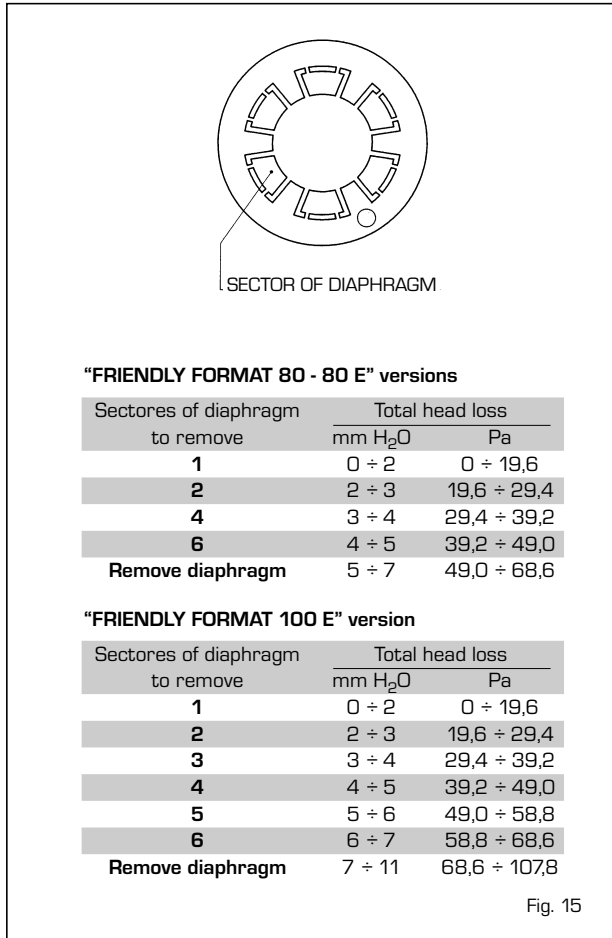
Part No 8093000 is supplied for this purpose (fig. 14). The sectored diaphragm is to be used according to the maximum head loss allowed in both pipes, as given in fig. 15. The complete range of accessories necessary for satisfying all installation requirements is shown in fig. 16.



- KEY
- 1 Sponge-rubber gasket ø125/95
 - 2 Fixing screw
 - 3 Air-smokes flow splitting unit with take-off point
 - 4 Sectors diaphragm ø 38

TABLE 8

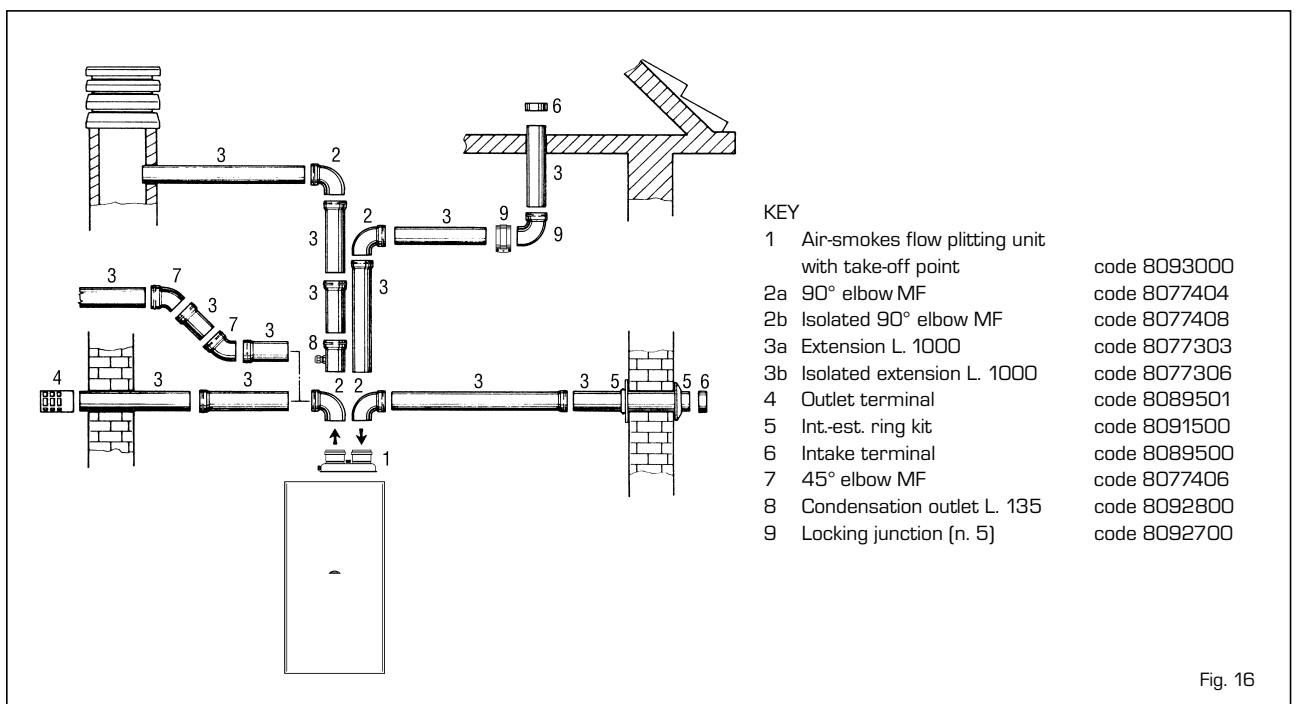
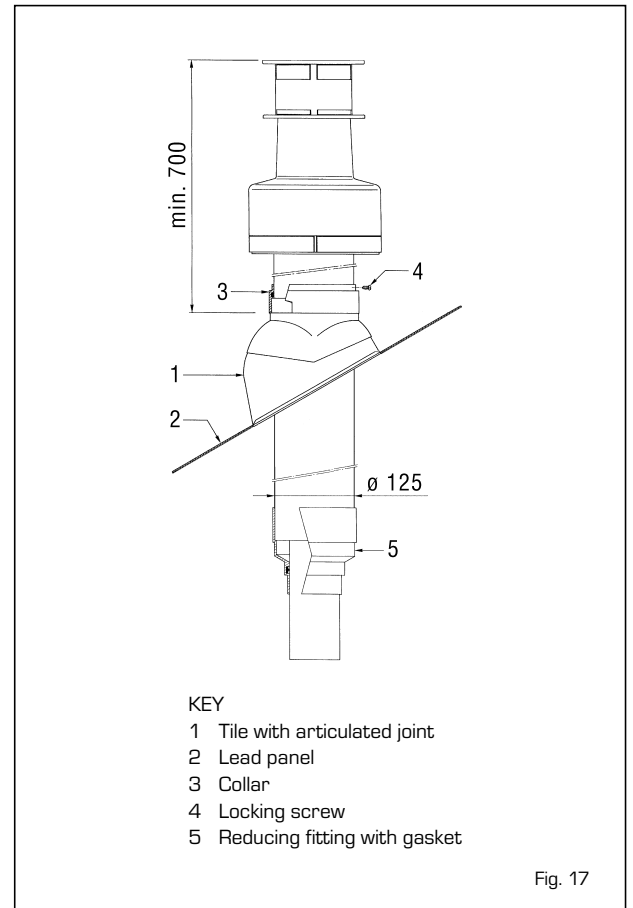
Accessories ø 80	Head loss (mm H ₂ O)					
	"FRIENDLY FORMAT 80 - 80 E"			"FRIENDLY FORMAT 100 E"		
	Inlet	Outlet	Roof outlet	Inlet	Outlet	Roof outlet
90° elbow MF	0,30	0,40	-	0,30	0,50	-
45° elbow MF	0,20	0,30	-	0,20	0,40	-
Extension L. 1000 (horizontal)	0,20	0,30	-	0,20	0,40	-
Extension L. 1000 (vertical)	0,10	0,20	-	0,10	0,30	-
Outlet terminal	-	0,30	-	-	0,40	-
Intake terminal	0,10	-	-	0,10	-	-
Doubler fitting	0,50	1,50	-	0,50	1,80	-
Roof outlet terminal L.1240	-	-	0,50	-	-	0,60
Tee condensation outlet	-	0,90	-	-	1,10	-



3.6.2 Separate-pipes roof outlet

The roof outlet terminal (1240 mm) cannot be shortened and when positioning the tile, the minimum distance from the discharge head terminal must not be less than 700 mm (fig. 17).

The accessories to be used for this type of installation and some of the connecting systems that may be adopted are illustrated in fig. 18. There is the possibility of separating the air-intake and flue-outlet dusts and then bringing them back together again so as to obtain a concentric discharge by using the doubler fitting (7 fig. 18).



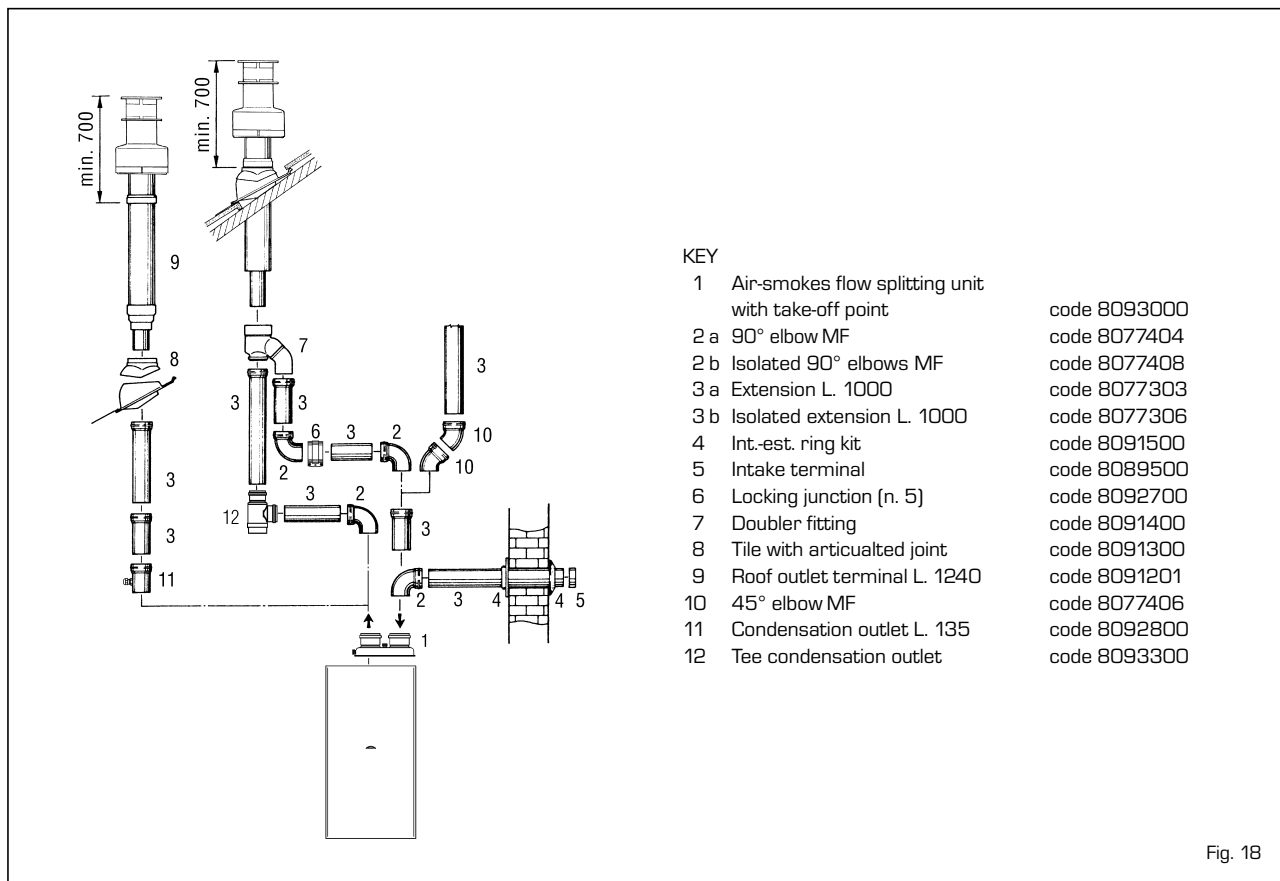


Fig. 18

In these cases, when assembling, recover the silicone gasket used on the terminal adapter (5 fig. 17), which is to be replaced by the doubler, and insert it into the seat made in the doubler. **For this type of discharge the sum of the maximum rectilinear development allowed for the pipes must not exceed 7.00 mm H₂O ("80 - 80 E" models) and 11.00 mm H₂O ("100 E" model).** When calculating the lengths of pipe, take into account the parameters given in the *Table 2*.

3.7 WATER CONNECTIONS

3.7.1 Central heating connections

- Fit the two C.H. isolation valves using the gaskets supplied to the flow and return connections as shown in fig. 2. The pipe connections are labelled on the lower part of the boiler.
- Connect the C.H. pipework as required.

3.7.2 D.H.W. connections

- Fit the D.H.W. isolation valve to the cold water inlet connection as shown in fig. 2.
- Fit the union connection to the D.H.W. outlet.
- Connect the D.H.W. pipework as required.

3.8 GAS CONNECTIONS

- Screw the gas cock into the internal thread in the gas inlet connection using a suitable jointing compound.
- Connect the gas supply pipe.

3.9 SAFETY VALVE CONNECTION

- The appliance safety valve is located towards the R.H.S. of the boiler and the discharge pipe is supplied loose. Remove the two selftapping screws and lower the control box to improve access.
- Screw the discharge pipe to the valve outlet using a suitable jointing compound, and extend the pipe to ensure that any discharge from the safety valve is safely routed to a drain. The discharge pipe should be a minimum of 15 mm copper, and should avoid sharp corners or upward pipe runs where water may be retained.

3.10 WIRING INSTRUCTIONS

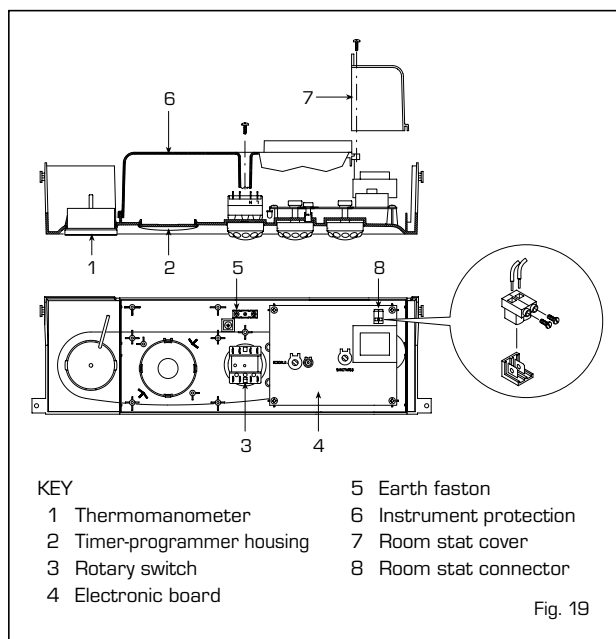
(Refer to sections 2.6 - 2.7 and fig. 19)

The external wiring is connected to the boiler via a lead cable situated behind the control box at the L.H.S.

- If a room thermostat is to be used, unscrew the two screws at either side of the control box, pivot the box downwards, then remove the room thermostat connection cover (one screw) to gain access to connector TA.
- Remove the pre-wired kink and connect the room thermostat to terminals 22 and 23.
- Re-fit the room thermostat connection cover.

The thermostat or timer-thermostat, recommended for better room temperature control, must be class II as specified by standard EN 60730.1 (clean contact).

- Carry out electrical system checks through a suitable test meter: earth continuity, polarity, resistance to earth and short circuit.
- Re-secure control box.



3.11 TIME-CLOCK INSTRUCTIONS

Setting the time

Turn the programming dial in clockwise direction to set the read off the 24-hour dial opposite the marking.

Program setting

Press inwards the segments on the program disk corresponding to the selected switching periods.

Function 1: segment set outwards (C.H. "ON")

Function 2: segment set inwards (C.H. "OFF")

Programming characteristics

Cycle	Number of actions per cycle	Program time per segment	Min. interval between two actions
24 hour	96	15 min.	15 min.

Manual override

0 = "OFF" permanently

⊕ = automatic programmed operation

1 = "ON" permanently

4 COMMISSIONING AND TESTING

SIME SUPPORT THE BENCHMARK INITIATIVE

All relevant sections of the logbook must be filled in at the time of installation and thereafter service information on the back page of the logbook. Commissioning of the boiler is not complete until the logbook is filled in.

Before commissioning the appliance, the whole gas installation including the meter **MUST** be purged and tested for gas soundness in accordance with BS6891.

IMPORTANT: open all doors and windows, extinguish naked lights, and DO NOT SMOKE whilst purging the gas line.

Before commencing the commissioning procedure, ensure that the gas service cock is turned on, the electricity supply is isolated, and that the D.H.W. and C.H. isolation valves are in the closed position.

4.1 FILLING THE WATER SYSTEM

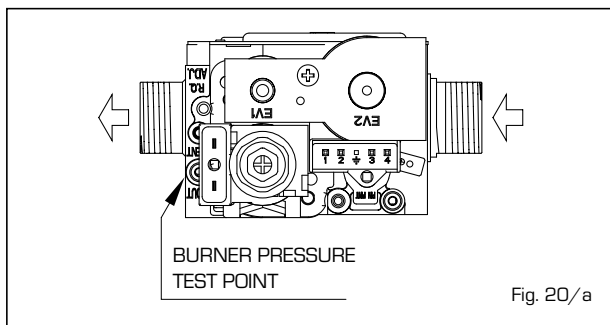
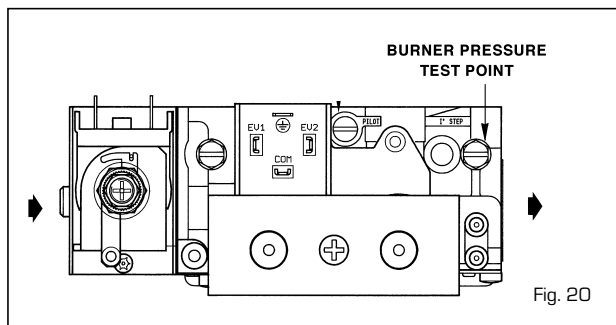
- Open the C.H. flow and C.H. return valves (17 - 18 fig. 2).
- Loosen the automatic air vent cap (9 fig. 2).
- Open all radiator valves and system air vents. Fill the system with water using one of the approved methods described in section 2.9 to about 0.5 bar greater than the system design pressure. Close all air vents. Do not forget the one near the pump!
- Check the system for water soundness.
- Completely drain the appliance and heating system, thoroughly flush the system, and refill the system design pressure.
- Open the D.H.W. inlet valve, open any hot tap, clear of air bubbles. Close hot tap.

4.2 COMMISSIONING THE BOILER

- Remove the screw and connect a pressure gauge to the burner pressure test point on the gas valve (fig. 20 "SIT TANDEM 837" gas valve - fig. 20/a "SIT SIGMA 845" gas valve).
- Ensure that the rotary switch on the facia panel is set to the SUMMER position "☀" (D.H.W. Only), turn the D.H.W. thermostat to maximum (fully clockwise), and turn on the electrical supply. Fully open any D.H.W. tap and the burner will light.
- Allow the boiler to run for at least 5 minutes and check that the burner pressure is as stated in section 1.3. The D.H.W. burner pressure is factory set and should not require adjusting. If the burner pressure is low, check that the appliance has not begun to modulate (this will occur if the D.H.W. flow rate is low. If modulation is suspected, open all D.H.W. taps to maximise flow and recheck burner pressure). Check also the inlet pressure with the burner alight; this should be 20 mbar (8 in.wg) +/- 2.5 mbar (1 in.wg) for natural gas. If it is necessary to adjust the D.H.W. burner pressure the method is described in section 8.6.
- Reduce the D.H.W. draw off rate to the minimum necessary to maintain the burner alight by carefully adjusting the D.H.W. inlet valve and check that the burner pressure decreases in response to D.H.W. temperature rise. Fully open the inlet valve.
- Close the D.H.W. tap and ensure that the burner is extinguished and the pump stops.

4.3 SETTING THE C.H. INPUT

- Turn the rotary switch to the WINTER position "❄" and ensure that the room thermostat (if fitted) is calling for

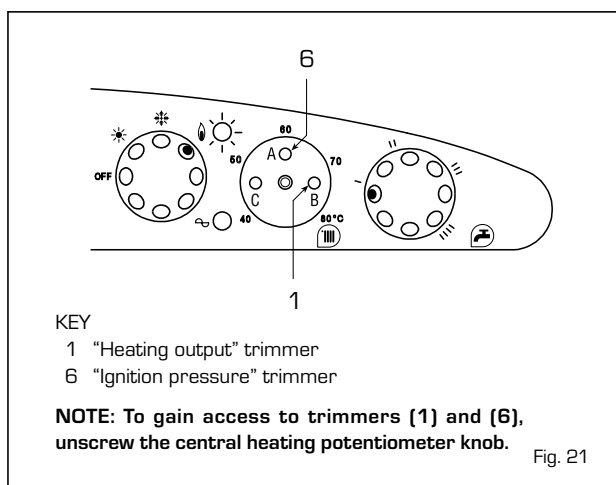


- heat. Turn the C.H. thermostat knob to maximum (fully clockwise) and the burner will light.
- Allow the boiler to run for at least 5 minutes and check the burner pressure. The heating input is factory set as stated in *Table 3*.
 - If the heating output is to be adjusted, proceed as follows:
 - refer to section 1.3 and establish the desired burner pressure;
 - remove (pull forwards) the C.H. knob protecting the potentiometer;
 - set the burner pressure as required using a small screwdriver on potentiometer (1 fig. 21). Rotate the screw anti-clockwise to reduce the burner pressure;
 - operate the rotary switch between SUMMER and WINTER position a few times and check that the correct burner pressure is maintained.
 - Replace the C.H. knob over potentiometer.
 - To set the time clock ("80 E - 100 E" models only) proceed as follows:
 - push in the setting tabs around the clock dial at the times corresponding to when the heating is desired ON;
 - set the clock to the correct time by rotating the dial clockwise until the arrow corresponds to the current time.

- adjust the D.H.W. flowrate by turning the restrictor lever on the divertor valve until a D.H.W. temperature rise of approx 35°C is achieved. This corresponds to the flowrates shown in *Table 4*;
- turn off the tap;
- remove the pressure gauge and refit the sealing screw;

Remember that the flow rates and corresponding temperatures of use of hot water, given in *Table 4*, have been obtained by positioning the selector of the circulation pump on the maximum value.

Should there be any reduction in the D.H.W. flow rate, the filter installed on the inlet to the pressure switch valve will need cleaning. To gain access to the filter, first close the cold water isolation valve (19, figure 2), drain the D.H.W. circuit via the lowest tap, make provision to collect a small discharge of water, then loosen the brass swivel connection to access the filter.



4.5 FINAL CHECKS

- Re-light and test for gas soundness.
- Re-fit the casing front panel and securing brackets.
- Set the C.H. and D.H.W. potentiometers to the required settings.
- Ensure that the time clock ("80 E - 100 E" models only) is set at the desired time periods. Set the room thermostat (if fitted) to the required setting.

4.6 USER'S INSTRUCTIONS

Upon completion of commissioning and testing the system, the installer should:

- Give the "Users Instructions" to the householder and emphasise their responsibilities under the "Gas Safety (Installation and Use) Regulations 1996 (as amended)".
- Explain and demonstrate the lighting and shutdown procedures.
- Advise the householder on the efficient use of the system, including the use and adjustment of all system controls for both D.H.W. and C.H.
- Advise the user of the precautions necessary to prevent damage to the system, and to the building, in the event of the system remaining inoperative during frost conditions.
- Explain the function of the boiler overheat thermostat, and how to reset it. Emphasise that if cut-out persists, the boiler should be turned off and the installer or service engineer consulted.
- Stress the importance of an annual service by a registered heating engineer.

4.4 SETTING THE D.H.W. FLOWRATE

A restrictor lever is fitted into the diverting valve to reduce the D.H.W. flow to that which will give an acceptable D.H.W. temperature. To set the D.H.W. flow, proceed as follows:

- select Summer position "☀" and turn the D.H.W. thermostat to max.;
- fully open the D.H.W. tap furthest from the boiler;
- check that the boiler is firing at maximum burner pressure;

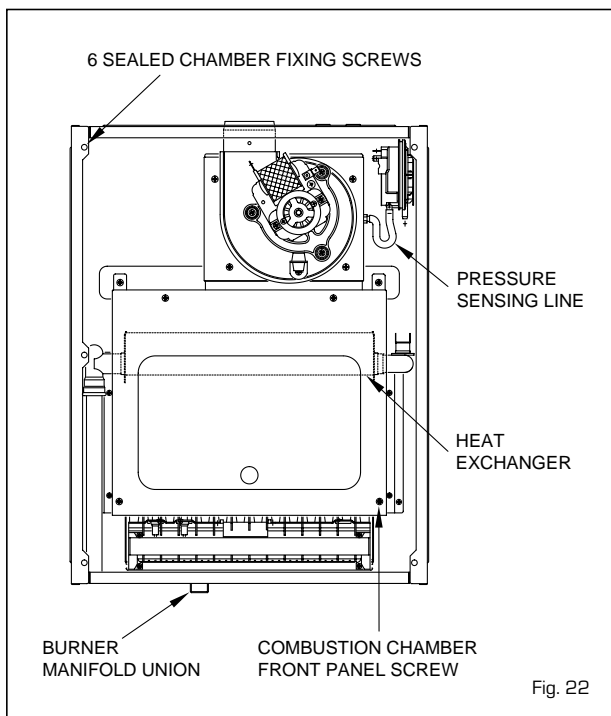
5 ROUTINE SERVICING INSTRUCTIONS

To ensure continued efficient operation of the appliance, it is recommended that it is checked and serviced as necessary at regular intervals. The frequency of servicing will depend upon the particular installation conditions and usage but in general once a year should be adequate.

It is the law that any service work must be carried out by registered personnel (C.O.R.G.I.). Before commencing any service operation, ISOLATE the mains electrical supply, and TURN OFF the gas supply at the main service cock. Service the appliance by following the full procedure detailed below.

5.1 MAIN BURNER ASSEMBLY

- Remove the front casing panel by unscrewing the retaining screws and brackets situated above the front panel, and pulling the panel forwards from the top corners.
- Remove the 6 fixing screws securing the sealed chamber front panel then remove the panel.
- Unscrew the 4 screws securing the combustion chamber front panel and remove the panel, taking care not to damage the insulation.
- Unplug the HT lead from the ignition electrode, then remove the detection electrode from the burner (one screw).
- Unscrew the burner manifold union and locking nut. Lift the front of the burner to disengage manifold thread and then lift the burner clear.
- Remove the burner manifold by disconnecting the four screws.
- Inspect and if necessary, clean the injectors, electrodes, and the main burner bars



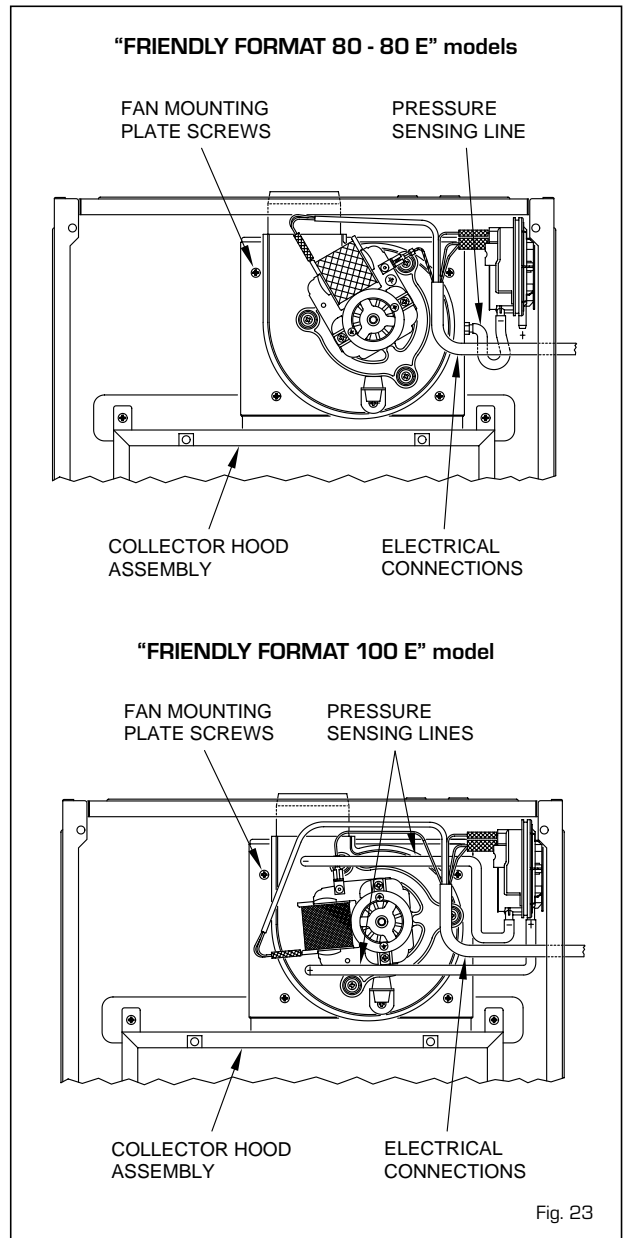
5.2 FAN ASSEMBLY

- Disconnect the electrical connections to the fan. Note the position of the earth conductor.
- Remove the four screws securing the fan mounting plate.

- Tilt the fan assembly forwards and remove in a downwards direction.
- Inspect the fan assembly and clean if necessary.

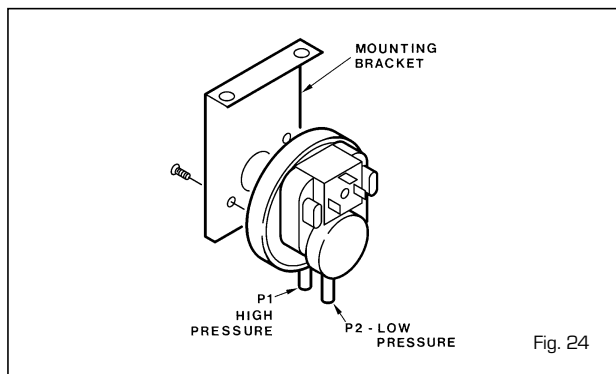
5.3 HEAT EXCHANGER

- Pull off the pressure sensing line(s) from the flue hood.
- Lift the collector hood assembly, tilt forwards and remove the hood.
- Inspect the heat exchanger, and clean if necessary.



5.4 RE-ASSEMBLY

- Re-assemble all the components in reverse order and replace all the gaskets fitted in the gas line. Ensure that all seals are correctly fitted and that the pressure sensing line is correctly fitted. Check that the fan earth connection is correctly re-fitted. Note that the fan polarity (Line and Neutral) is immaterial.



- Check for gas soundness before fitting the casing front panel.

5.5 RE-COMMISSIONING

- Turn on the gas supply, and check for gas soundness whilst the appliance is running.
- Check the operation of the appliance in both C.H. and D.H.W. mode and ensure in both cases that the burner pressure after at least 5 minutes running is as stated on the data plate or in *Table 3*.
Adjust if necessary as described in section 8.

6 FAULT FINDING

If an electrical fault occurs on the appliance the preliminary electrical system checks contained in the British Gas Multimeter Instruction Booklet must be carried out first. When any service or replacement of electrical components which has required the breaking and re-making of electrical connections has taken place, the following tests must be repeated:

- earth continuity;
- short circuit;
- polarity;
- resistance to earth.

6.1 EARTH CONTINUITY CHECK

Appliances must be electrically disconnected, meter set on Ω (ohm) x 1 scale and adjust zero if necessary. Tests leads from any appliance earth point (e.g. inside control box) see wiring diagrams (section 7) to earth pin on plug. Resistance should be less than 1 Ω (ohm). If the resistance is greater than 1 Ω (ohm) check all earth wires for continuity and all contacts are clean and tight. If the resistance to earth is still greater than 1 Ω (ohm) then this should be investigated further.

6.2 SHORT CIRCUIT CHECK

Switches turned FULL ON - meter set on Ω (ohms) x 1 scale. Test leads from L to N on appliance terminal block, if meter reads 0 then there is a short circuit. Meter set on Ω (ohm) x 100 scale. Repeat it with leads from L to E. If meter reads less than infinity (∞) there is a fault.

NOTE: Should it be found that the fuse has failed but no

fault is indicated, a detailed continuity check (i.e. by disconnecting and checking each component) is required to trace the faulty component.

It is possible that a fault could occur as a result of local burning/arcing but no fault could be found under test. However, a detailed visual inspection should reveal evidence of burning around the fault.

6.3 POLARITY CHECK

Appliance reconnected to mains supply and meter set on 300 V ac scale. Test at appliance terminal block.

- Test leads from L to N meter reads approx.: 240 V ac.
- Test leads from L to E "⬇" meter reads approx. 240 V ac.
- Test leads from N to E "⬇" meter reads from 0 to 15 V ac.

6.4 RESISTANCE TO EARTH CHECK

Appliance must be disconnected from main supply and meter on Ω (ohm) x 100 scale.

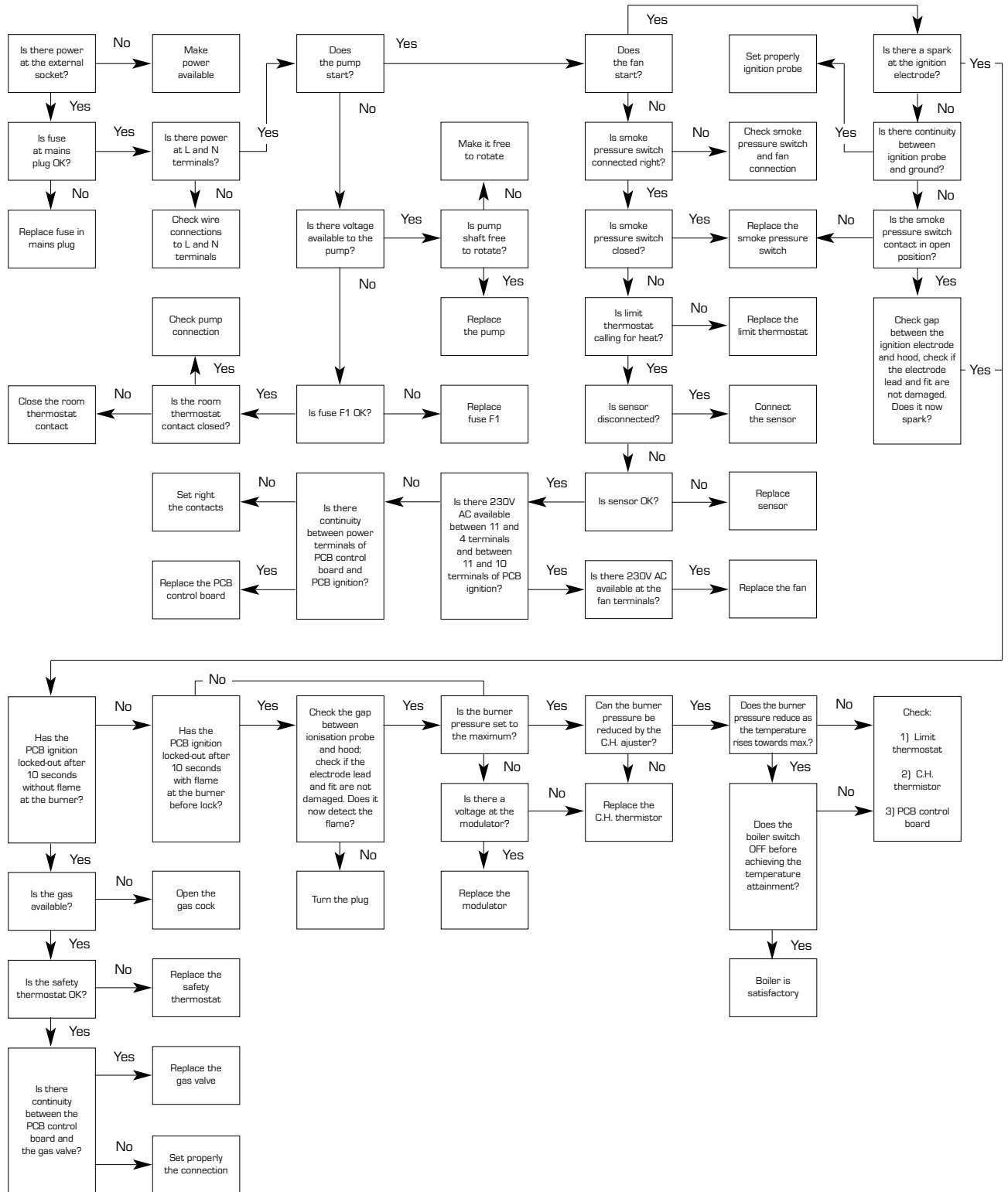
All switches including thermostat on test leads from L to E - if meter reads other than infinity (∞) there is a fault which should be isolated. A detailed continuity check is required to trace the faulty component.

IMPORTANT:

These series of checks are the first electrical checks to be carried out during a fault finding procedure. On completion of the service/fault finding task which has required the breaking and remaking of electrical connections then the checks 6.1 Earth continuity, 6.3 Polarity and 6.4 Resistance to earth must be repeated.

6.5 C.H. MODE - FAULT FINDING ("FRIENDLY FORMAT 80" model)

Start from cold Rotary switch set to WINTER position.
 Room thermostat (if fitted) calling for heat and all D.H.W. taps off.
 C.H. thermostat set to maximum position.
 Clock in the on position (if fitted).

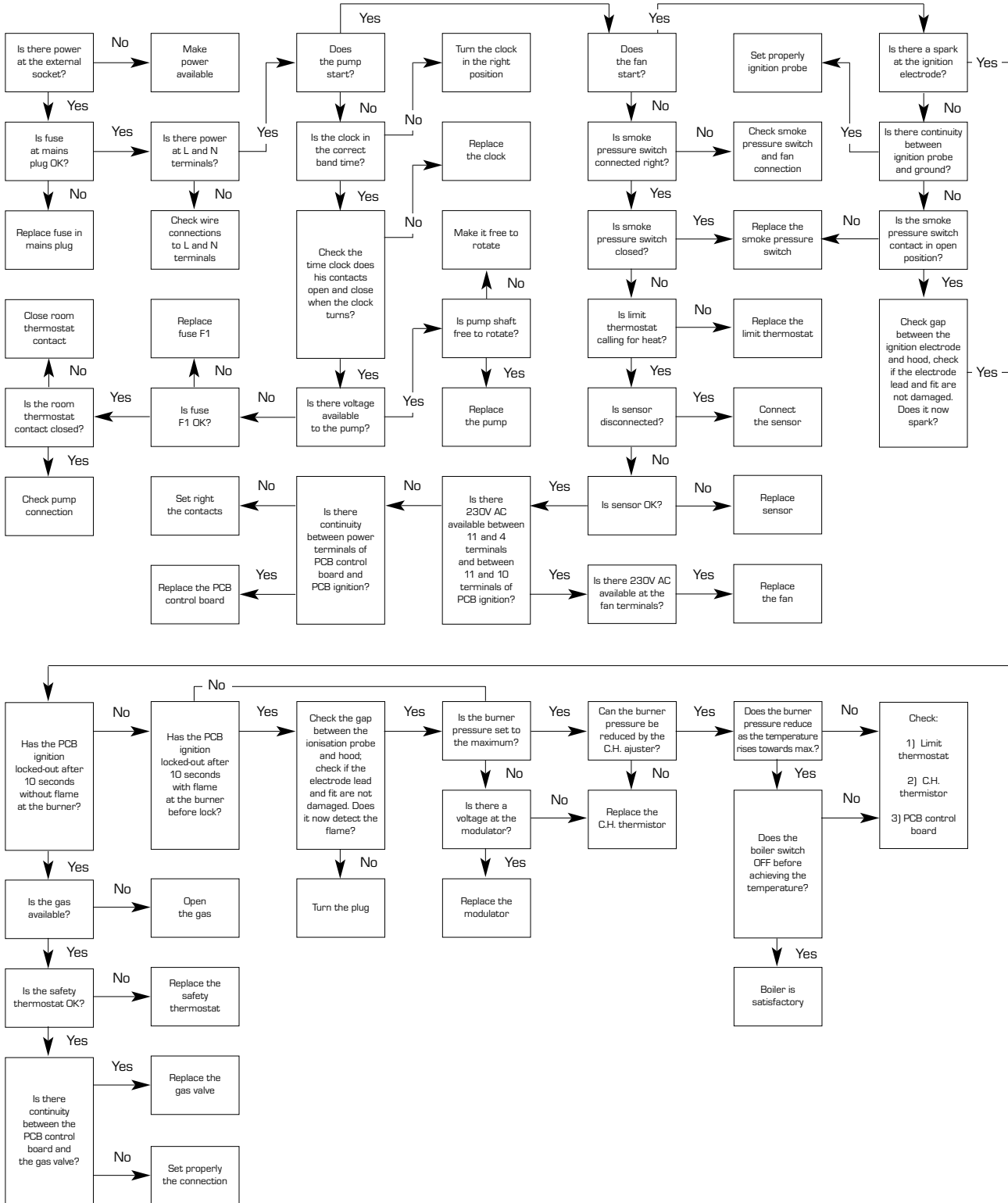


NOTE:

After completing fault finding reset the room thermostat (if fitted) to the required setting. If the appliance will not function check the wiring to the clock and if necessary, replace the clock.

6.6 C.H. MODE - FAULT FINDING ("FRIENDLY FORMAT 80 E - 100 E" models)

Start from cold Rotary switch set to WINTER position.
 Room thermostat (if fitted) calling for heat and all D.H.W. taps off.
 C.H. thermostat set to maximum position.
 Clock in the on position (if fitted).

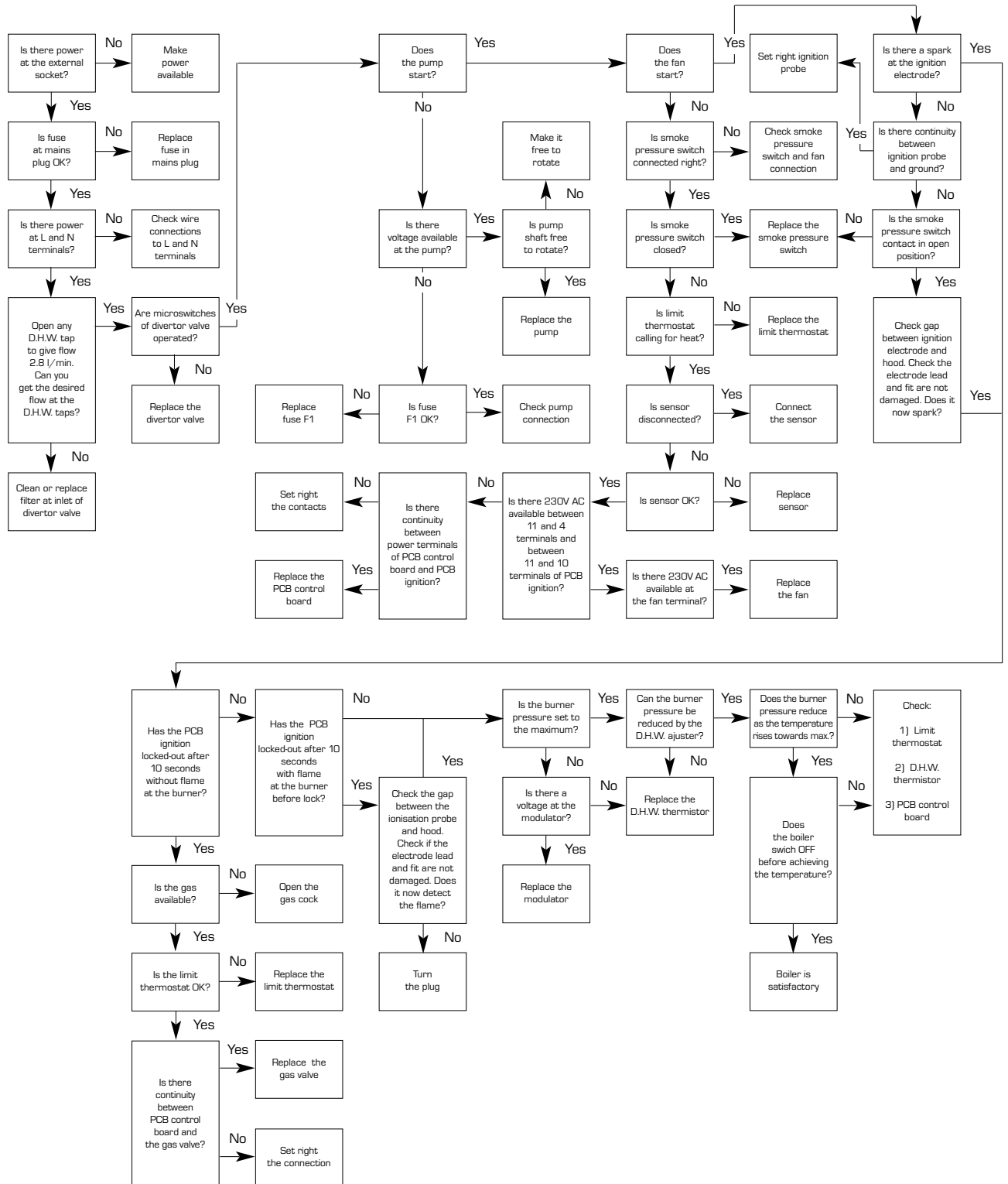


NOTE:

After completing fault finding reset the room thermostat (if fitted) to the required setting. If the appliance will not function check the wiring to the clock and if necessary, replace the clock.

6.7 D.H.W. MODE - FAULT FINDING

Start from cold - rotary switch set to SUMMER position, D.H.W. thermostat set to maximum, and all D.H.W. taps OFF.

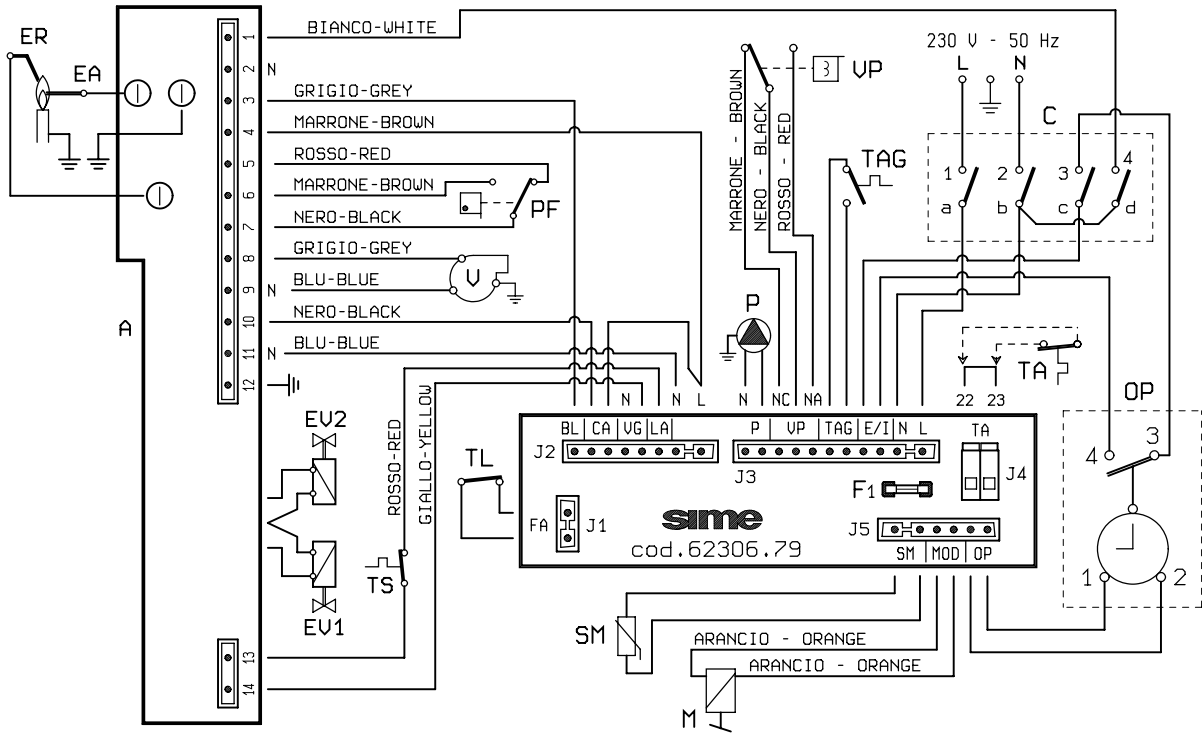


NOTE:

When commissioning the boiler, please check the polarity in case the pump and the fan are running but the burner does not fire.

7 INTERNAL WIRING DIAGRAM AND VIEW

7.1 FUNCTIONAL FLOW WIRING DIAGRAM



KEY

L	Phase	V	Fan
N	Neutral	P	Circulation pump
EV1	Gas valve coil	VP	Divertor valve
EV2	Gas valve coil	TAG	Frost thermostat
EA	Ignition electrode	C	Rotary switch
ER	Detection electrode	TA	Room thermostat
A	SIT 503 control box	M	Modulator
TS	100°C safety thermostat	SM	C.H. sensor
OP	Time clock ("80 E - 100 E" models)	TL	Limit thermostat
PF	Air pressure switch	F1	Fuse

NOTE: The room thermostat must be connected to the terminals 22-23

Fig. 25

8 REPLACEMENT OF PARTS

Before commencing any service operation, ISOLATE the mains electrical supply, and TURN OFF the gas supply at the main service cock. It is the law that any service work must be carried out by registered personnel (C.O.R.G.I.).

8.1 HEAT EXCHANGER

- Remove the fan as described in section 8.3.
- Disconnect the pressure sensing pipe from the flue box, lift the collector hood assembly, tilt forwards, and remove the hood.
- Isolate the C.H. flow and return valves.
- Drain the heat exchanger using the drain cock (at the bottom RHS of the appliance)
- Unclip the heat exchanger securing clips, then lift out the heat exchanger.
- Re-assemble in reverse order, ensuring that the heat exchanger seals and clips are correctly located and that the pressure sensing pipe is correctly re-fitted. The fan polarity is not important except the earth conductor (G/Y which is marked on the appliance).
- Refill, and re-commission the system as described in section 4.

8.2 COMBUSTION CHAMBER INSULATION

The design of this appliance is such that the rear and side insulation should not require replacement unless mechanically damaged.

IMPORTANT: When handling insulation panels, take care to avoid producing or inhaling dust particles. When removing old or damaged insulation panels, dampen with water to minimise dust.

To replace the insulation front panel, proceed as follows:

- remove the combustion chamber front panel as described in section 5.1;
- replace the front insulation panel and glue it into position on the front panel using the glue supplied. Re-assemble in reverse order.

Should the rear or side panels become damaged, replace them as follows.

- remove the heat exchanger as described in section 8.1;
- remove the side insulation panels followed by the rear panel;
- re-assemble in reverse order, refill, and recommission the system as described in section 4.

8.3 FAN ASSEMBLY

- Remove the casing front panel and sealed chamber front panel as described in section 5.1.
- Disconnect the electrical connections to the fan. Note the position of the earth conductor.
- Unscrew the four screws securing the fan mounting plate.
- Drop and tilt the fan assembly forwards and remove in a downwards direction.
- Unscrew the three screws retaining the fan on the fan plate. Remove the fan assembly.
- Transfer the fan outlet seal onto the new fan.
- Re-assemble in reverse order. Ensure that the earth connection is correctly refitted. Note that the polarity (Line and Neutral) is immaterial.

8.4 MAIN BURNER

- Remove the main burner by following section 5.1.
- Transfer the ignition electrode onto the new burner assembly.
- Re-assemble in reverse order. Check the electrode gaps (fig. 27) and test for gas soundness.
- Re-commission the appliance as described in section 4.

8.5 IGNITION/DETECTION ELECTRODES

- Remove the casing front panel and sealed chamber front panel as described in section 5.1.
- Unscrew the single screw securing the electrode in position, and release the electrode from the burner.
Ignition electrode: Pull off the HT lead from the base of the electrode, and replace the electrode.
Detection electrode: Follow the detection lead back to the control box. Unscrew the two screws from the front of the control box and remove the control box plastic front cover.
- Carefully remove the electrode and integral lead from the appliance. Replace the electrode assembly, and carefully route the lead through the grommet below the burner and to the control box.
- Re-assemble in reverse order.

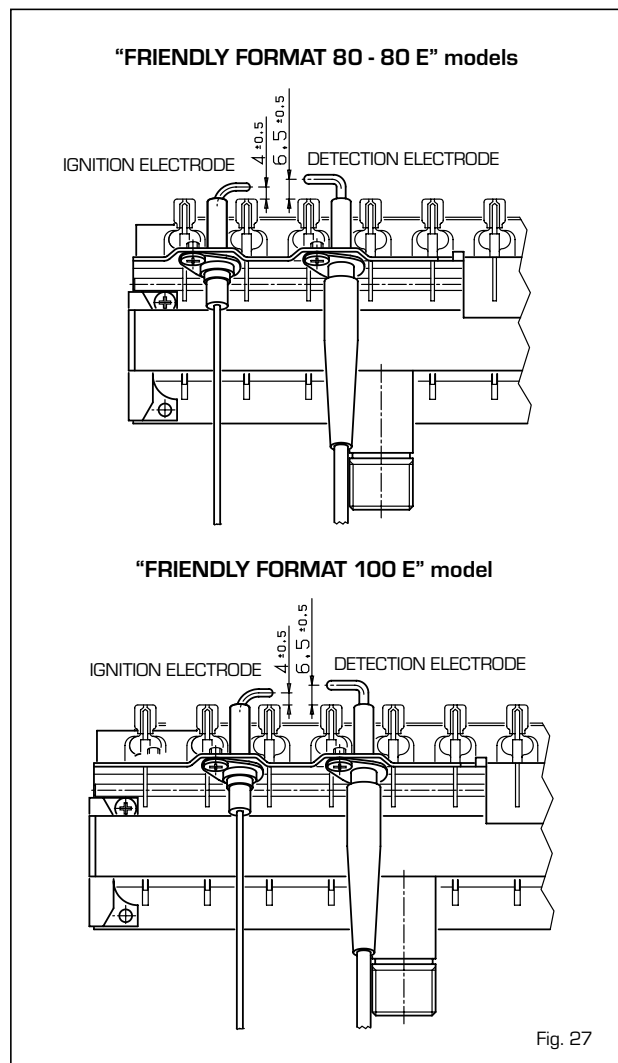


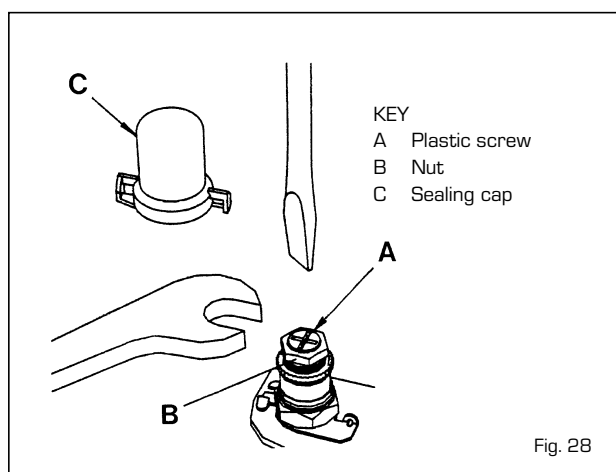
Fig. 27

8.6 GAS VALVE

- Remove the casing front panel as described in section 5.1.
- Unscrew the single screw securing the plastic ignition control box to the gas valve and pull off the control box in a forwards direction.
- Disconnect the two leads from the modulating solenoid.
- From underneath the appliance, unscrew the four pos-head screws securing the gas valve inlet pipe flange.
- Remove the two screws securing the control box and pivot the control box downwards
- Unscrew the burner manifold nut underneath the sealed casing, and withdraw the gas valve complete with outlet pipe.
- Transfer the outlet pipe onto the new gas valve, using a new gasket (supplied with the valve).
- Fit the new gas valve assembly into the appliance using the other new gasket supplied on the valve inlet, and re-assemble in reverse order.
- Re-light the appliance, check for gas soundness, and re-commission in accordance with section 4.

In addition it will be necessary to set the D.H.W. and C.H. heat inputs, with reference to fig. 28, as follows: (SIT gas valve). Note that it is necessary to set the **MAXIMUM PRESSURE FIRST**.

- Connect a pressure gauge to the burner pressure test point.
- Remove the sealing cap of the proportioning unit (C) by rotating it/turn anticlockwise.
- Adjust DHW potentiometer to maximum, then fully open any DHW tap to light the boiler.
- Using a 10 mm spanner, turn nut (B) to attain the maximum pressure in *Table 3*.
Turn the nut clockwise to increase or anti-clockwise to decrease the burner pressure.
- Turn the main selector switch on and off a few times (with the hot tap still open) and check that the pressure returns to the correct (set) maximum value (as in *Table 3*).
- Set the minimum burner pressure by first isolating the electricity supply and disconnecting one of the modulating solenoid leads, then restore the electricity supply and fully open a DHW tap to light the appliance at minimum gas rate.
- Set the minimum pressure of 1.5 mbar by holding nut (B) in position with a 10 mm spanner and rotating the plastic screw (A) with a screwdriver until the correct pressure is



obtained. Turn the screw clockwise to increase the pressure or anti-clockwise to decrease it. It is essential that the max pressure has been set prior to adjusting the minimum pressure. Check that the minimum pressure is correctly set by turning on and off the D.H.W. inlet valve several times and ensuring that the pressure returns to that previously adjusted;

- Isolate the power supply, re-connect the modulation lead, restore the power and re-check the maximum pressure, then re-fit the plastic cover (1).
- Reduce the D.H.W. draw off rate to the minimum necessary to maintain the burner alight by carefully adjusting the D.H.W. Inlet valve and check that the burner pressure decreases in response to D.H.W. temperature rise. Fully open the inlet valve;
- Close the D.H.W. tap and ensure that the burner is extinguished and the pump stops.
- Adjust the Central Heating maximum pressure as described in section 4.3, then complete the re-commissioning as described in 4.4 and 4.5.

8.7 AIR PRESSURE SWITCH

- Remove the casing front panel and sealed chamber front panel as described in section 5.1.
- Disconnect the pressure sensing pipe from the switch.
- Unscrew and remove the two screws securing the mounting bracket.
- Remove the switch from the bracket (two screws) and fit the new one.
- Transfer the electrical connections one at a time (to ensure that they are not incorrectly re-fitted) to the new switch.
- Re-assemble in reverse order referring to the wiring diagrams (section 7) if necessary. Ensure that the pressure sensing lead is correctly connected to the low pressure connection on the pressure switch (marked P2).

8.8 LIMIT THERMOSTAT

The limit thermostat is situated on the top, R.H.S. of the heat exchanger (12 fig. 26).

- Remove the outer casing and the sealed chamber front panel as described in section 5.1.
- Without disconnecting the wires, unscrew the two limit thermostat fixing screws.
- Lift the thermostat and fixing screws out using the wires.
- Replace the thermostat and spread heat sink compound (supplied) over the base of the new one. Connect the wires, (polarity is immaterial) and position the screws in the flange and re-fit using the wires to position the thermostat before tightening the screws.
- Re-assemble in reverse order.

8.9 OVERHEAT THERMOSTAT

The overheat thermostat is situated on the flow pipe, below the sealed chamber (10 fig. 26).

- Remove the casing front panel as described in section 5.1.
- Disconnect the two overheat thermostat wires.
- Unscrew the two limit thermostat fixing screws and remove the thermostat.

- Replace the thermostat and spread heat sink compound (supplied) over the base of the new one.
- Re-assemble in reverse order. (Polarity is immaterial).

8.10 THERMISTOR

The thermistor is clipped to the flow pipe below the overheat thermostat.

The thermistor does not penetrate the waterways, therefore it is not necessary to drain the appliance.

- Remove the casing front panel as described in section 5.1.
- Remove the thermistor securing clip from the pipe.
- Pull off the thermistor connection plug, and release the thermistor from the clip.
- Replace the thermistor and re-assemble in reverse order using the heat sink compound supplied.

TABLE 9

Temperature (°C)	Resistance (Ω)
20	12,764
30	8,579
35	7,102
40	5,915
45	4,955
50	4,173
55	3,533
60	3,006
70	2,208
80	1,650

8.11 IGNITION CONTROL BOX

- Remove the casing front panel as described in section 5.1.
- Unscrew the single screw securing the plastic ignition control box to the gas valve and pull off the control box in a forwards direction.
- Unscrew the single screw securing the plastic control box cover to reveal the electrical connections.
- Transfer the electrical connectors and wires etc to the new PCB and re-assemble in reverse order.

8.12 DRIVER PCB

- Remove the casing front panel as described in section 5.1.
- Pivot the control box downwards, by removing the two screws.
- Open the plastic driver control box housing by removing the room thermostat cover (one screw) and the single central fixing screw then prising open the four locating tabs.
- Pull off the potentiometer knobs.
- Release the PCB (four screws), transfer all connections onto the new PCB, and re-assemble in reverse order.
- Re-set the CH burner pressure as described in section 4.3.

8.13 PUMP

- Remove the casing front panel as described in section 5.1.
- Unplug the electrical connection plug.
- Isolate the C.H. flow and return valves (17 - 18 fig. 2), and drain the appliance through the drain plug (13 fig 2).

- Unscrew both union connections.
- Replace the pump, and re-assemble in reverse order, using the new gaskets supplied with the pump. If the new pump is fitted with a speed adjuster, ensure that the speed is set to maximum.
- Refill and commission the system as described in section 4.1.

8.14 D.H.W. HEAT EXCHANGER

- Remove the casing front panel as described in section 5.1.
- Remove the gas valve (to improve access) as described in section 8.6.
- Isolate the C.H. flow and return valves, and the D.H.W. isolation valve (17 - 18 - 19 fig. 2).
- Drain the appliance through the drain plug (13 fig 2).
- Drain the D.H.W. circuit by opening any D.H.W. tap below the level of the boiler.
- Remove the two screws pivot the control box downwards.
- Disconnect all union connections to the D.H.W. heat exchanger and remove the heat exchanger.
- Fit new heat exchanger and re-assemble in reverse order using the new gaskets supplied with the heat exchanger.
- Refill and re-commission the system as described in section 4.1.

8.15 DIVERTOR VALVE - COMPLETE

- Remove the casing front panel as described in section 5.1.
- Remove the gas valve (to improve access) as described in section 8.6.
- Isolate the C.H. flow and return valves, and the D.H.W. isolation valve (17 - 18 - 19 fig. 2).
- Drain the appliance through the drain plug (13 fig 2)
- Drain the D.H.W. circuit by opening any D.H.W. tap below the level of the boiler.
- Remove the two screws pivot the control box downwards.
- Disconnect all union connections from the divertor valve. Withdraw the valve and remove the circlip securing the microswitch assembly.
- Transfer the electrical connections onto the new valve. If necessary, refer to the wiring diagrams in section 7.
- Re-assemble in reverse order, using the new gaskets supplied with the valve.
- Refill and re-commission the system as described in section 4.1.

8.16 DIVERTOR VALVE - MICROSWITCH ASSEMBLY

- Remove the casing front panel as described in section 5.1.
- Remove the two screws pivot the control box downwards.
- Pull out the microswitch circlip, and lift off the microswitch assembly.
- Transfer the electrical connections onto the new microswitch assembly. If necessary, refer to the wiring diagrams in section 7.
- Re-assemble in reverse order.

8.17 C.H. EXPANSION VESSEL

In the unlikely event of failure of the expansion vessel diaphragm it is acceptable to leave the vessel in position

and to fit a replacement vessel (of similar or greater capacity) external to the appliance but as close as possible to the C.H. return.

Alternatively the vessel can be replaced as follows.

Note replacement is not recommended if a rear flue outlet is used or if the clearance above the casing is less than 300 mm.

- Remove the casing front panel as described in section 5.1.
- Isolate the C.H. flow and return valves (17 - 18 fig. 2), and drain the appliance through the drain plug (13 fig. 2).
- Unscrew the expansion vessel pipe union at its connection union.
- Remove the screw securing the expansion vessel bracket at the top, rear of the appliance.
- If a rear flue outlet is used it is necessary to disengage the flue and air duct temporarily. Refer to section 3.5.
- Remove the adjusting screws on the wall mounting bracket thereby allowing the appliance to move slightly forwards at the top.
- Lift the expansion vessel out of the appliance through the top.
- Replace the expansion vessel and re-assemble in reverse order. Re-pressurise and re-commission the system as described in section 4.1.

8.18 PRESSURE GAUGE

- Remove the casing front panel as described in section 5.1.
- Remove the two screws and pivot the control box downwards.
- Isolate the C.H. flow and return valves (17 - 18 fig. 2).
- Drain the appliance through the drain point (13 fig. 2).
- Unscrew the pressure sensor from the brass body near the drain point.
- Squeeze the gauge to depress the retaining clips, then ease the gauge forwards.
- Reassemble in reverse order.
Refill and re-commission the system as described in section 4.1.

8.19 SAFETY VALVE

- Remove the casing front panel as described in section 5.1.
- Remove the two screws and pivot the control box downwards.
- Isolate the C.H. flow and return valves (17 - 18 fig. 2).
- Drain the appliance through the drain point (13 fig. 2).
- Unscrew the union supporting the outlet pipe from the valve, and remove the valve by unscrewing it from the brass housing.
- Fit the new safety valve using a suitable jointing compound and re-assemble in reverse order. Refill and re-commission the system as described in section 4.1.

8.20 AUTOMATIC AIR VENT

- Remove the casing front panel as described in section 5.1.
- Isolate the C.H. flow and return valves (17 - 18 fig. 2).
- Drain the appliance through the drain point (13 fig. 2).
- Unscrew the automatic air vent.
- Fit the new automatic air vent using a suitable jointing compound and re-assemble in reverse order. Refill and re-commission the system as described in section 4.1.

8.21 TIME CLOCK

- Remove the casing front panel as described in section 5.1.
- Remove the two screws and pivot the control box downwards.
- Open the plastic driver control box housing by removing the room thermostat cover (one screw) and the single central fixing screw then prising open the four locating tabs.
- Pull off the electrical connections at the back of the clock.
- Remove the four screws securing the plastic frame of the time clock to the fascia panel.
- Remove the plastic frame and pull out the time clock.
- Re-assemble in reverse order and test the operation of the new clock.

Set it to the desired settings as described in section 4.3

9 SHORT LIST OF PARTS

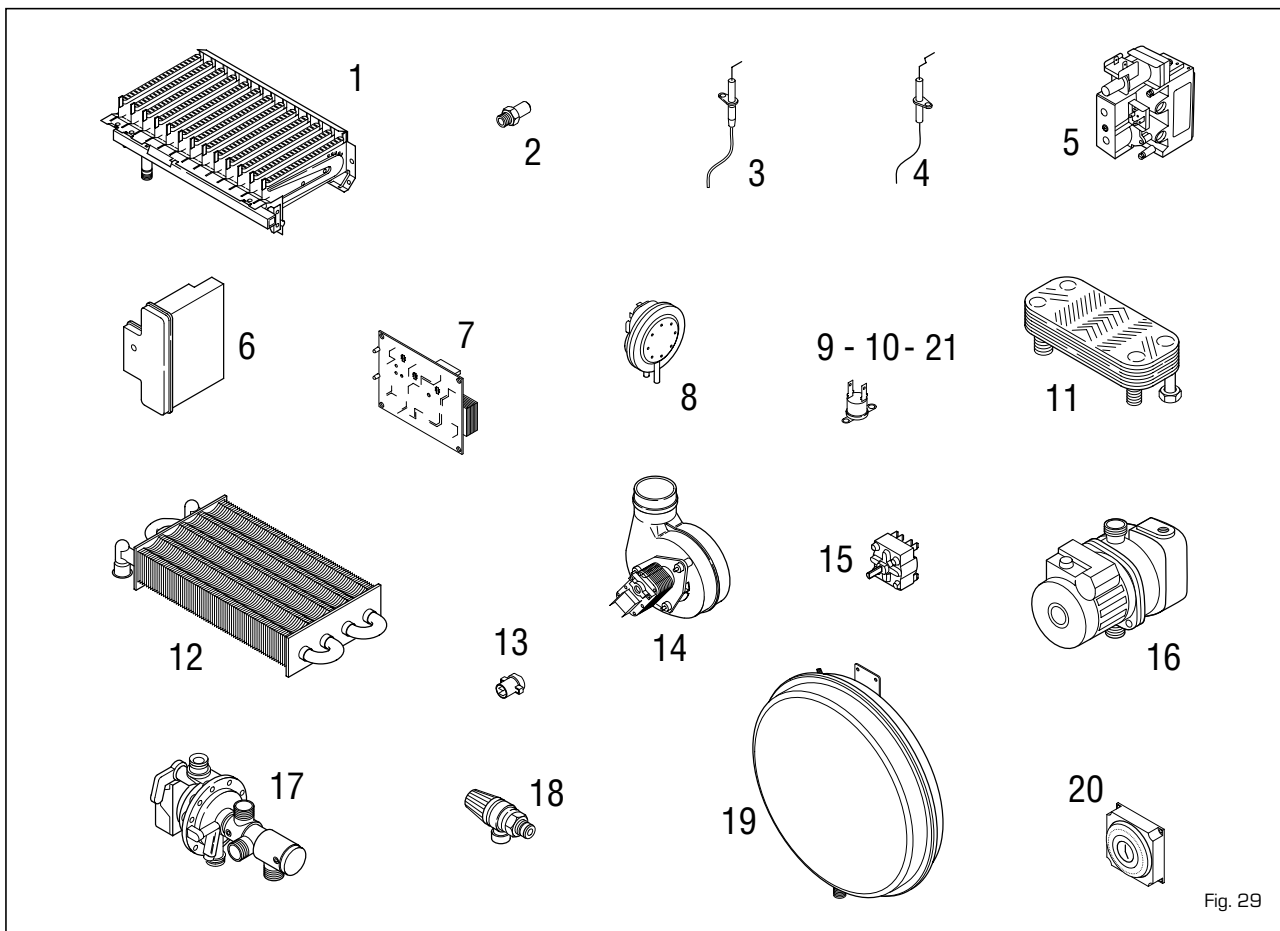


Fig. 29

KEY	G.C. PART NO	DESCRIPTION	NO OFF	MAKER'S PT NO
1	309 328	Main burner POLIDORO ("80 - 80 E")	1	5172700
1		Main burner POLIDORO ("100 E")	1	5172720
2	397 950	Main injector NP 130 ("80 - 80 E")	13	6154402
2	397 950	Main injector NP 130 ("100 E")	15	6154402
3		Ignition electrode	1	6235920
4		Sensing electrode	1	6235916
5 a		SIT TANDEM 837 gas valve	1	6243802
5 b		SIT SIGMA 845 gas valve	1	6243810
6 a		Ignition control box SIT 503 (TANDEM 837)	1	6210203
6 b		Ignition control box SIT 537 (SIGMA 845)	1	6210205
7		Driver PCB	1	6230679
8		Air pressure switch ("80 - 80 E")	1	6225707
8		Air pressure switch ("100 E")	1	6225708
9		Overheat thermostat	1	6146701
10	397 590	Limit thermostat	1	6146700
11		D.H.W. heat exchanger ("80 - 80 E")	1	6265602
11		D.H.W. heat exchanger ("100 E")	1	6265600
12		Heat exchanger ("80 - 80 E")	1	6174221
12		Heat exchanger ("100 E")	1	6174223
13		Thermistor	1	6231352
14	397 585	Fan assembly ("80 - 80 E")	1	6225612
14		Fan assembly ("100 E")	1	6225613
15		Rotary switch	1	6260701
16		Circulating pump ("80 - 80 E")	1	6124803
16		Circulating pump ("100 E")	1	6124810
17		Divertor valve	1	6102806A
18		Safety valve	1	6040201
19		C.H. expansion vessel 7 l ("80 - 80 E")	1	5139110
19		C.H. expansion vessel 10 l ("100 E")	1	5187700
20		Time clock	1	6197707
21		Frost stat	1	6146702



Sime Ltd

Unit D2 Enterprise Way, Bradford Road, Idle, Bradford BD10 8EW

Tel. 0870 9911114 - Fax 0870 9911115

www.sime.ltd.uk - e-mail: enquiries@sime.ltd.uk