

VALOR FIRES

INSTALLER AND OWNER GUIDE

Model 954

Inset live fuel effect gas fire

Incorporating the VALOR FIRES **FireSlide**[®] CONTROL

Fitted with one of the following fascia.

BROOKLYN, CHIC, ENVY, HERITAGE,
LUXOR, MOONLIGHT, OPULENT or
WESTMINSTER SLIMLINE.

(G.C. Number 32-032-69)



We trust that this guide gives sufficient details to enable this appliance to be installed, operated and maintained satisfactorily. However, if further information is required, our **Valor Fires Technical Helpline** will be pleased to help.
Telephone **08706 061 065** (National call rates apply in the United Kingdom).
In the Republic of Ireland
Telephone **0044 8706 061 065**.



BAXI • VALOR • WONDERFIRE

INSTALLER: Please leave this guide with the owner

INSTALLER GUIDE

**THIS APPLIANCE IS FOR USE WITH NATURAL GAS (G20).
WHEN CONVERTED USING CONVERSION KIT NO. 0595221 THIS
APPLIANCE IS FOR USE WITH PROPANE GAS (G31).
THIS APPLIANCE IS SUITABLE ONLY FOR INSTALLATION IN THE UNITED
KINGDOM (GB) AND THE REPUBLIC OF IRELAND (IE).**

© Baxi Heating U.K. Limited 2007.

All rights reserved. No part of this publication may be reproduced in any material form (including photocopying), stored in any medium by electronic means (including in any retrieval system or database) or transmitted, in any form or by any means, whether electronic, mechanical, recording or otherwise, without the prior written permission of the copyright owner.

Applications for the copyright owner's permission to reproduce any part of this publication should be made, giving details of the proposed use, to the following address: The Company Secretary, Baxi Heating UK Limited, The Wyvern Business Park, Stanier Way, Derby, DE21 6BF.

Warning: Any person who does any unauthorised act in relation to a copyright work may be liable to criminal prosecution and civil claims for damages.

VALOR FIRES

Valor Fires, Erdington, Birmingham B24 9QP
www.firesandstoves.co.uk

Because our policy is one of constant development and improvement, details may vary slightly from those given in this publication

INSTALLER GUIDE

Safety First.

Valor Fires fires are CE Approved and designed to meet the appropriate British Standards and Safety Marks.



Quality and Excellence.

All Valor Fires fires are manufactured to the highest standards of quality and excellence and are manufactured under a BS EN ISO 9001 quality system accepted by the British Standards Institute.



The Highest Standards

Valor Fires is a member of SBGI and HHIC (Heating and Hot water Industry Council) which works to ensure high standards of safety, quality and performance.



Careful Installation

Valor Fires is a CORGI registered company. All our gas fires must be installed by a competent CORGI Registered Installer in accordance with our Installer Guide and should not be fitted directly on to a carpet or floor of combustible material.

INSTALLER GUIDE

FOR OWNER GUIDE SEE PAGES 45 TO 59

INSTALLER GUIDE

CONTENTS

<u>Section</u>	<u>Heading</u>	<u>Page</u>
	INSTALLER GUIDE	4 - 44
	OWNER GUIDE	45 - 59
1.	SAFETY	6
2.	APPLIANCE DATA	7
3.	GENERAL INSTALLATION REQUIREMENTS	9
4.	PACK CONTENTS	18
5.	FIREPLACE CHECK	21
6.	IGNITION CHECK	22
7.	GAS SUPPLY CONNECTION	23
8.	PREPARING APPLIANCE FOR INSTALLATION	24
9.	HOTBOX INSTALLATION	25
10.	BURNER INSTALLATION	28
	10.1 Burner and supply pipe installation.	28
	10.2.1 Lighting the burner.	28
	10.2.2 Operating the burner.	28
	10.3 Inlet pressure check.	28
	10.4 Fitting the burner tray trim to the Chic model.	29
11.	FITTING THE FASCIA	30
12.	FITTING THE CERAMIC FUEL EFFECT	33
13.	FULL OPERATING CHECKS	34
14.	SPILLAGE & FLAME SUPERVISION CHECKS	35
15.	FINAL REVIEW	36
16.	SERVICING & PARTS REPLACEMENT	37
	16.1 Checking the aeration setting of the burner.	38
	16.2 To remove the ignition microswitch.	38
	16.3 To remove the gas shut-off microswitch.	39
	16.4 To remove the fascia.	39
	16.5 To replace the slider control button.	40
	16.6 To remove the burner unit.	40
	16.7 To remove the electronic ignition generator.	41
	16.8 To remove the thermocouple interrupter block.	41
	16.9 To remove the pilot unit.	41
	16.10 To remove the shut-off tap.	42
	16.11 To remove the gas flow rate controller.	43
	16.12 To replace the burner.	43
	16.13 To remove the main burner injector.	44
	16.14 To remove the appliance from the fireplace.	44

INSTALLER GUIDE

1. SAFETY

Installer

Before continuing any further with the installation of this appliance please read the following guide to manual handling.

- The approximate lifting weight of this appliance is as below:-

<u>Model</u>	<u>Hotbox and burner assembly (kg)</u>	<u>Fascia (kg)</u>
Brooklyn	5.7	3.2
Chic	5.7	4.1
Envy	5.7	3.11
Heritage	5.7	11.13
Luxor	5.7	12.5
Moonlight	5.7	3.2
Opulent	5.7	12.5
Westminster	5.7	8.2

- One person should be sufficient to lift the fire. If for any reason this weight is considered too heavy then obtain assistance.
- When lifting always keep your back straight. Bend your legs and not your back.
- Avoid twisting at the waist. It is better to reposition your feet.
- Avoid upper body/top heavy bending. Do not lean forward or sideways whilst handling the fire.
- Always grip with the palm of the hand. Do not use the tips of fingers for support.
- Always keep the fire as close to the body as possible. This will minimise the cantilever action.
- Use gloves to provide additional grip.
- Always use assistance if required.

INSTALLER GUIDE

2. APPLIANCE DATA

This product uses fuel effect pieces and a burner compartment rear wall containing Refractory Ceramic Fibres (RCF), which are man-made vitreous silicate fibres. Excessive exposure to these materials may cause irritation to eyes, skin and respiratory tract. Consequently, it is important to take care when handling these articles to ensure that the release of dust is kept to a minimum. To ensure that the release of fibres from these RCF articles is kept to a minimum, during installation and servicing we recommend that you use a HEPA filtered vacuum to remove any dust and soot accumulated in and around the fire before and after working on the fire. When replacing these articles we recommend that the replaced items are not broken up, but are sealed within a heavy duty polythene bag, clearly labelled as RCF waste. RCF waste is classed as a stable, non-reactive hazardous waste and may be disposed at a landfill licensed to accept such waste. Protective clothing is not required when handling these articles, but we recommend you follow the normal hygiene rules of not smoking, eating or drinking in the work area and always wash your hands before eating or drinking.

This appliance does not contain any component manufactured from asbestos or asbestos related products.

Gas	Natural (G20)	Propane (G31) *
Inlet Pressure	20mbar	37mbar
Input - Max. (Gross)	6.0kW (20,500Btu/h)	6.1kW (20,800Btu/h)
Input - Min. (Gross)	2.7kW (9,212Btu/h)	4.3kW (14,670Btu/h)
Inlet Test Pressure (Cold)	20.0 ± 1.0mbar (8.0 ± 0.4in w.g.)	37.0 ± 1.0 mbar (14.85 ± 0.4in w.g.)
Gas Connection	8mm pipe	8mm pipe
Burner Injector	Cat 82 - 069	Stereomatic Size 128
Pilot & Atmosphere Sensing Device	Copreci Ref. O.D.S 21500/166	Copreci Ref. O.D.S 21500/166 Fitted with RBM 180 - 02 injector
Ignition	Electronic (Battery 9V PP3)	Electronic (Battery 9V PP3)
Aeration	See section 16.1	Non-adjustable

* When converted using Kit 0595221

The appliance information label is located on a plate at the base of the fire. This can be seen by removing the lower hanging trim / firefront casting.

INSTALLER GUIDE

The efficiency of this appliance has been measured as specified in BS 7977 - 1 and the result is as below :

<u>Model</u>	<u>Efficiency % (Gross)</u>
954	51
954 when converted to LPG.	54

The gross calorific value of the fuel has been used for this efficiency calculation. The test data from which it has been calculated has been certified by Advantica Certification services (0087). The efficiency value may be used in the UK Government's Standard Assessment Procedure (SAP) for energy rating of dwellings.

The conversion of **net** efficiency to **gross** was achieved by multiplying the net efficiency by the following conversion factor from Table E3 of SAP 2005, rounding down to the nearest whole number.

Gas	Conversion factor from net to gross efficiency
Natural Gas	0.901
LPG	0.921

INSTALLER GUIDE

3. GENERAL INSTALLATION REQUIREMENTS

3.1 The installation must be in accordance with this guide.

For the user's protection, in the United Kingdom it is the law that all gas appliances are installed by competent persons in accordance with the current edition of the Gas Safety (Installation and Use) Regulations. Failure to install the appliance correctly could lead to prosecution. CORGI requires its members to work to recognised standards.

In the United Kingdom the installation must also be in accordance with:

All the relevant parts of local regulations.

All relevant codes of practice.

The relevant parts of the current editions of the following British Standards: -

BS 715

BS EN 1856 Part 1

BS EN 1858 which replaces BS 1289 Part 1

BS EN 1806 which replaces BS 1289 Part 2

BS EN 1856 Part 1 which replaces BS 4543 Part 2

BS 5440 Part 1

BS 5440 Part 2

BS 6461 Part 1

BS 1251

BS EN 1806

BS 5871 Part 2

BS 6891

In England and Wales, the current edition of the Building Regulations issued by the Department of the Environment and the Welsh Office

In Scotland, the current edition of the Building Standards (Scotland) Regulations issued by the Scottish Executive.

In Northern Ireland, the current edition of the Building regulations (Northern Ireland) issued by the Department of the Environment for Northern Ireland.

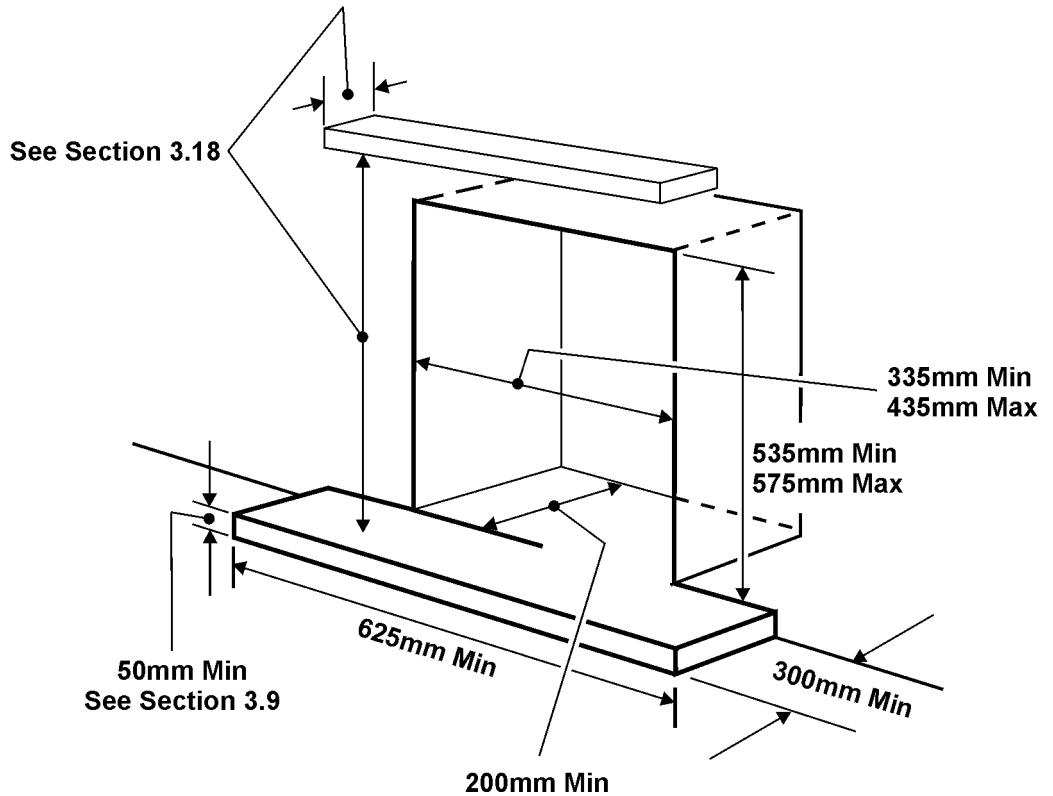
In the republic of Ireland the installation must be carried out by a competent person and installed in accordance with:

- a) The current edition of IS 813 "Domestic gas installations"
- b) All relevant national and local rules in force.
- c) The current building regulations

Where no specific instructions are given, reference should be made to the relevant British Standard Code of Practice.

INSTALLER GUIDE

For Chic, Envy, Heritage, Luxor, Opulent and Westminster models only.



For Brooklyn and Moonlight models only

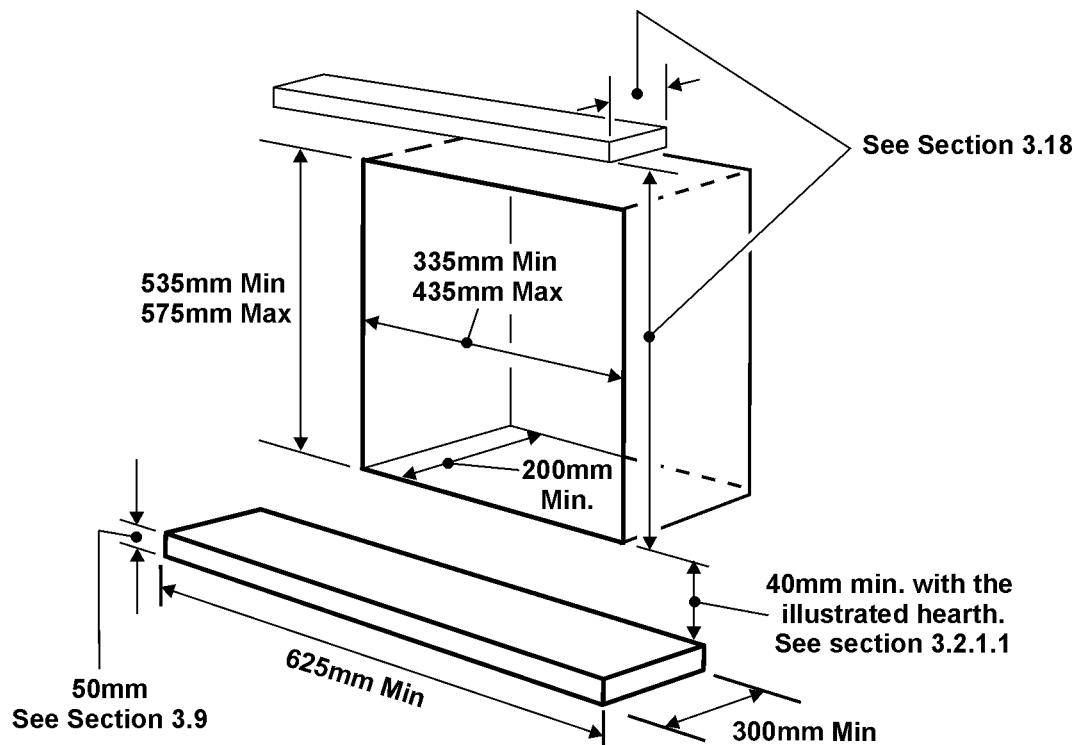


Figure 1. Hearth and fireplace opening dimensions

INSTALLER GUIDE

3.2 In the United Kingdom, as supplied, this appliance can be installed in the following situations: -

3.2.1 A masonry chimney with a minimum diameter of 175mm (7") free from any obstruction, and with any damper or restrictor plate in the chimney removed or secured, and having a minimum effective flue height of 3m (10ft). A masonry chimney having a correctly installed flue liner to BS EN 1856 or BS 715 and with a minimum flue diameter of 125mm is also acceptable. Chair brick removal may not be required providing at least 50mm clearance is available from the flue outlet to any fireplace component. The appliance is designed to cater for low lintel installations (min height 505mm) providing a minimum distance of 25mm is maintained between the lintel and the front face of the fireplace (i.e. 25mm rebated fire surround).

3.2.1.1 'Hole-in-the-wall' Installations

- It is recommended that a hearth should be installed as in figure 1.
- Brooklyn, Chic, Envy, Heritage, Moonlight and Westminster models.
If a hearth is not fitted, the fire must be installed so that the distance from the base of the fireplace opening in the wall to the finished floor level is at least 72mm. Where there is no floor covering or carpet and the floor is of a type that is likely to be covered in such a way in the future then the distance from the base of the fireplace opening in the wall to the floor level should be increased to at least 147mm.

Luxor and Opulent models.

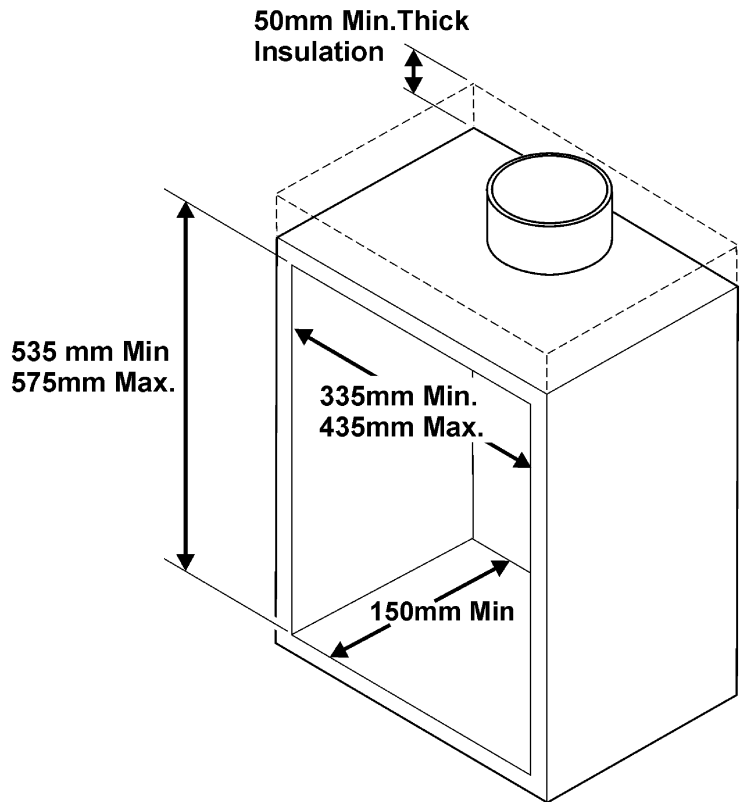
If a reduced depth hearth is fitted, the fire must be installed so that the distance from the base of the fireplace opening in the wall to the finished floor level is at least 72mm. It is recommended that the reduced hearth has a depth from the fixing plane of the fire of 100mm minimum. This is necessary to support the lower front casting. Where there is no floor covering or carpet and the floor is of a type that is likely to be covered in such a way in the future then the distance from the base of the fireplace opening in the wall to the floor level should be increased to at least 147mm.

- To protect from the risk of burns and ignition of clothing a tactile separator shall be used. The hearth detailed in section 3.9 meets the requirements for a tactile separator. If this is not used then a 625mm long fender, kerb, horizontal bar, or other barrier, being fixed not less than 50mm above floor level and positioned 300mm in front of the fixing plane of the fire will meet the requirement.

3.2.2 To a fireplace incorporating a metal flue box conforming to BS EN 1856 Part 1 or BS 715 with a minimum internal depth of 150mm. Incombustible mineral wool insulation of not less than 50mm thickness must be applied to the top surface of the hotbox (See figure 2) and it must stand on a non-combustible hearth (See figure 1).

INSTALLER GUIDE

Chic, Envy, Heritage, Luxor, Opulent and Westminster only



Brooklyn and Moonlight only

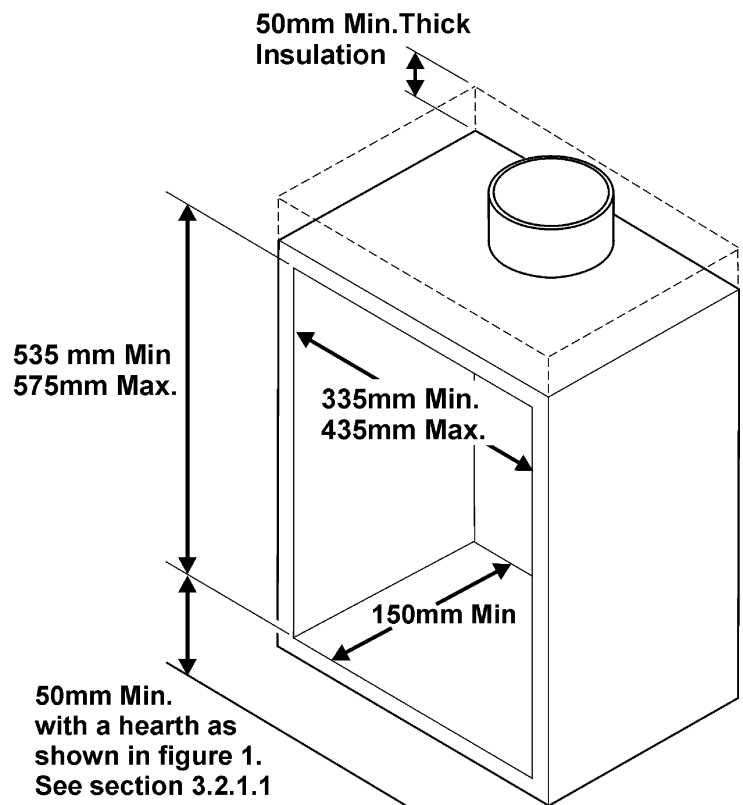


Figure 2. Metal flue box

INSTALLER GUIDE

3.2.3 To a fireplace that has a precast concrete or clay flue block system conforming to BS1289 or BS EN 1806. The appliance is suitable for installations conforming to older versions of BS1289 as well as the current edition. The flue blocks must have a minimum width not less than 63mm and a cross-sectional area not less than 13,000mm². Older editions of BS1289 required a cross-sectional area of 13,000mm².

The current revision of the standard requires 16,500mm². This appliance is suitable in both cases. The total depth of the opening measured from the finished front of the fireplace (Including plaster, surround etc.) must be **not less than 120mm** (See figure 3).

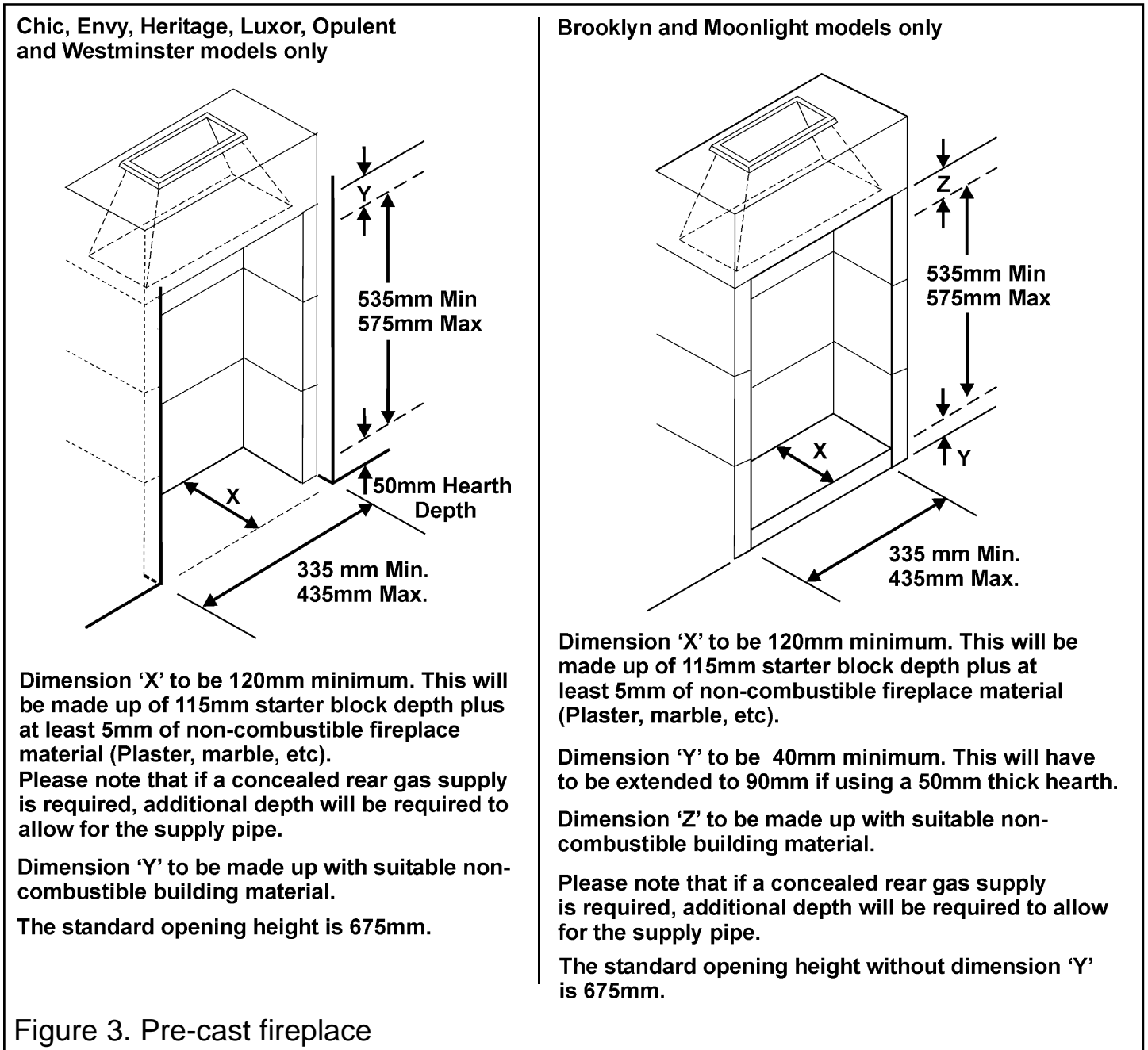


Figure 3. Pre-cast fireplace

The current versions of BS1289 and BS EN 1806 recommend that there should be an air space or insulation between the flue blocks and the plaster because heat transfer may cause cracking on directly plastered flues. However, generally this appliance is suitable for installations under all circumstances unless there is a history of cracking

INSTALLER GUIDE

problems. Remember that faults such as cracking may be caused by poorly built and restrictive flues, e.g. mortar extrusions, too many bends, flue heights below three metres, restrictive terminations, etc.

3.2.4 If the fireplace opening is greater than the acceptable dimensions given in this guide, do not use the back of a fire surround or marble to reduce the opening. This may cause cracking of the surround back or marble.

3.3 The following flues are suitable:

- 225mm x 225mm conventional brick flue.

If a flue liner is used, it must be a minimum of 125mm diameter. The liner must be sealed to the surrounding area above the fireplace opening and to the top of the chimney. An approved terminal must be fitted.

- A properly constructed precast flue conforming to B.S 1289 or BS EN 1806.
- A flue pipe with a minimum diameter of 127mm. See B.S 6461 Part 1 for suitable materials. Metal flue pipes must comply with BS EN 1856 or BS 715.

3.3.1 The minimum effective height of the flue must be 3m.

3.3.2 The flue must be clear of any obstruction and its base must be clear of debris.

3.3.3 The flue must be completely sealed so that combustion products do not come into contact with combustible materials outside the chimney.

3.3.4 The flue must serve only one fireplace.

3.4 The flue must conform to BS 5440: Part 1 in design and installation.

The flue, measured from the bottom of the fireplace opening to the bottom of the terminal, shall be not less than 3m in actual vertical height. When calculated in accordance with BS 5440: Part 1 Annex A, the minimum **equivalent** height of the flue shall be 2.0m of 125mm dia. flue pipe.

3.5 The flue must not be used for any other appliance or application.

3.6 Any chimney dampers or restrictors should be removed. If removal is not possible they must be fixed in the open position.

3.7 If the appliance is intended to be installed to a chimney, which was previously used for solid fuel, the flue must be swept clean prior to installation. All flues should be inspected for soundness and freedom from blockages.

3.8 If the fireplace opening is an under floor draught type, it must be sealed to stop any draughts.

3.9 The appliance must be mounted behind a non-combustible hearth unless the conditions of section 3.2.1.1 are met (N.B. conglomerate marble hearths are considered as non-combustible). The appliance can be fitted to a purpose made proprietary class "O"-150°C surround. The hearth material must be at least 12mm thick. The periphery of the hearth (or fender) should be at least 50mm above floor level to discourage the placing of carpets or rugs over it.

The appliance must not stand on combustible materials or carpets (See figure 1).

INSTALLER GUIDE

3.10 The front face of the fireplace should be reasonably flat over the area covered by the hotbox top and side flange seals to ensure good sealing. These faces should be made good if necessary. The fireplace floor should be reasonably flat to ensure that a good seal with the hotbox can be made.

3.11 Note that soft wall coverings (e.g. embossed vinyl, etc.) are easily affected by heat. They may scorch or become discoloured when close to a heating appliance. Please bear this in mind when installing.

3.12 The appliance must not be installed in any room, which contains a bath, or shower or where steam is regularly present.

3.13 An extractor fan may only be used in the same room as this appliance, or in any area from which ventilation for the appliance is taken, if it does not affect the safe performance of the appliance. Note the spillage test requirements detailed further on in this manual. If the fan is likely to affect the appliance, the appliance must not be installed unless the fan is permanently disconnected.

3.14 Normal adventitious ventilation is usually sufficient to satisfy the ventilation requirements of this appliance. In GB reference should be made to BS 5871 Part 2 and in IE reference should be made to the current edition of IS 813 "Domestic gas Installations" which makes clear the conditions that must be met to demonstrate that sufficient ventilation is available.

3.15 Propane gas appliances must not be installed in a room, which is built entirely below ground level (See BS 5871 Pt2).

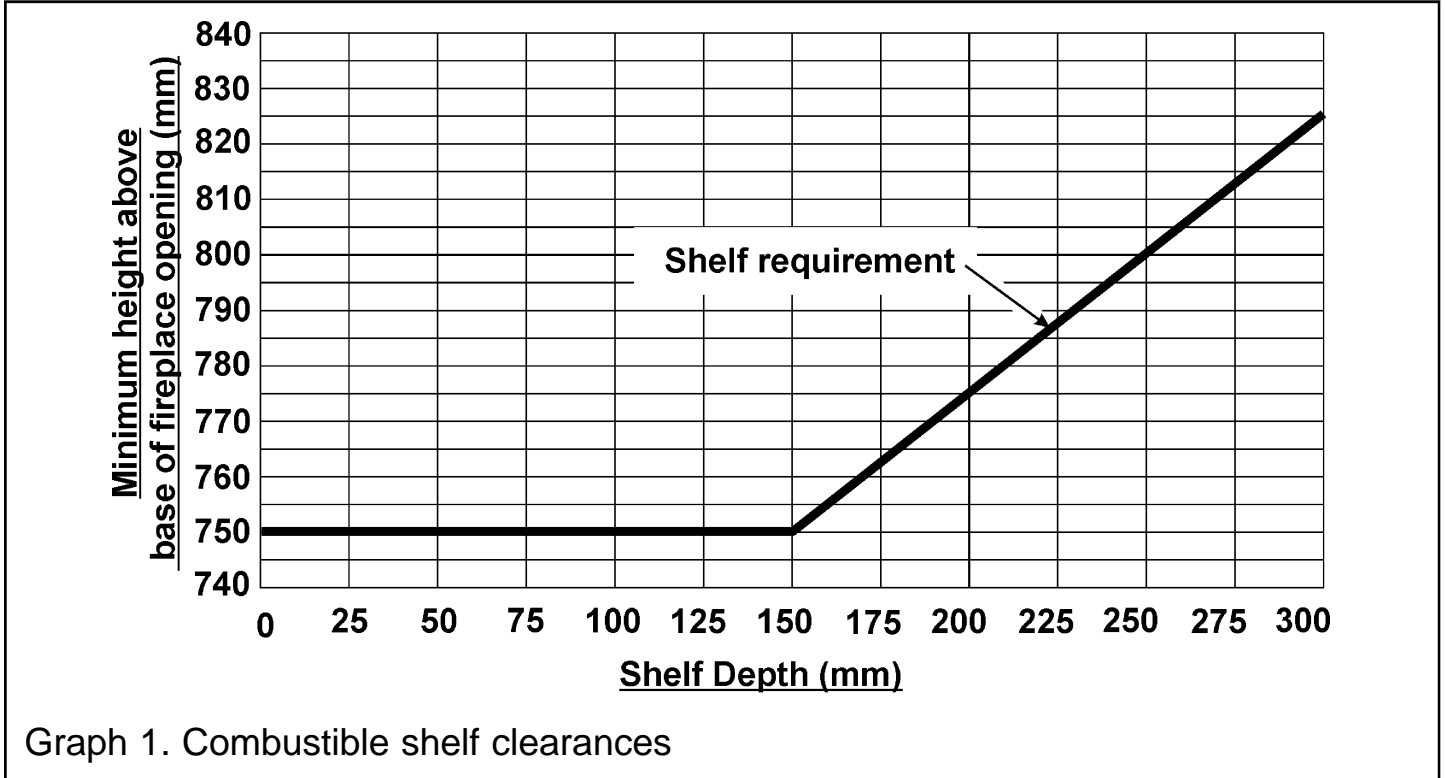
3.16 Proprietary terminals must comply with BS 715 or BS 1289. Any terminal or termination must be positioned in accordance with BS 5440 Part 1 to ensure that the products of combustion can be safely dispersed into the outside atmosphere. Where the appliance is connected to an unlined brick chimney it is generally unnecessary for the chimney pot to be replaced or for a terminal to be fitted unless the flue has a diameter smaller than 170mm.

3.17 The appliance is fitted with an A.S.D (Atmosphere sensing device). If the appliance closes down after a period of operation for no apparent reason, the consumer should be informed to stop using the appliance until the installation and appliance have been thoroughly checked. The A.S.D will shut the appliance down if an unacceptable amount of harmful products of combustion accumulate. Under no circumstances should the A.S.D be altered or bypassed in any way. Only a genuine manufacturers replacement part should be fitted. The individual A.S.D components are not replaceable.

INSTALLER GUIDE

3.18 The minimum height from the base of the fireplace opening to the underside of any shelf made from wood or other combustible materials is detailed below.

- For a shelf up to 150mm deep: Minimum height = 750mm.
- For a shelf deeper than 150mm: 750mm + 12.5mm for every 25mm depth over 150mm (See Graph 1).



3.19 If the appliance is to be fitted against a wall with combustible cladding, the cladding must be removed from the area covered by the fascia. The cladding must also not touch the fascia (See figure 4). We suggest that the actual fascia is used as a template to mark the area for combustible cladding removal and that this area is increased by at least 2mm all round. Ensure that the depth of the cladding will not prevent the fitting or subsequent removal of the fascia.

3.20 A fireguard complying with BS 8423 should be fitted for the protection of young children, the elderly, the infirm and pet animals.

3.21 The minimum allowable distance from the outside of the fascia to a corner wall having combustible material or any other combustible surface which projects beyond the front of the appliance is shown in

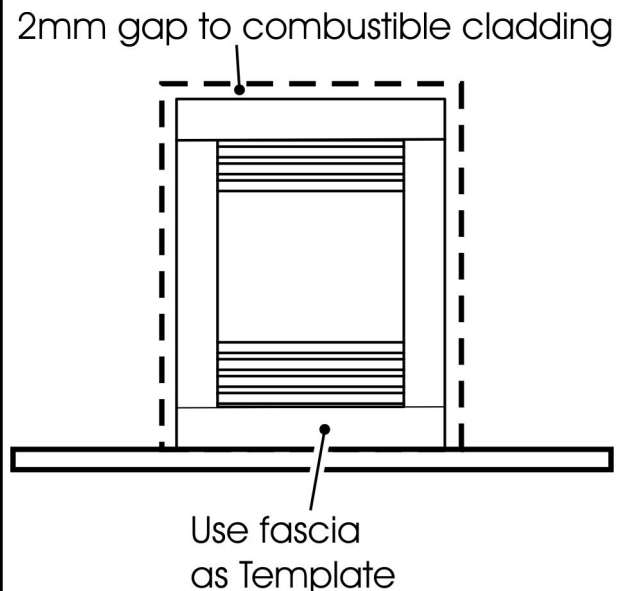
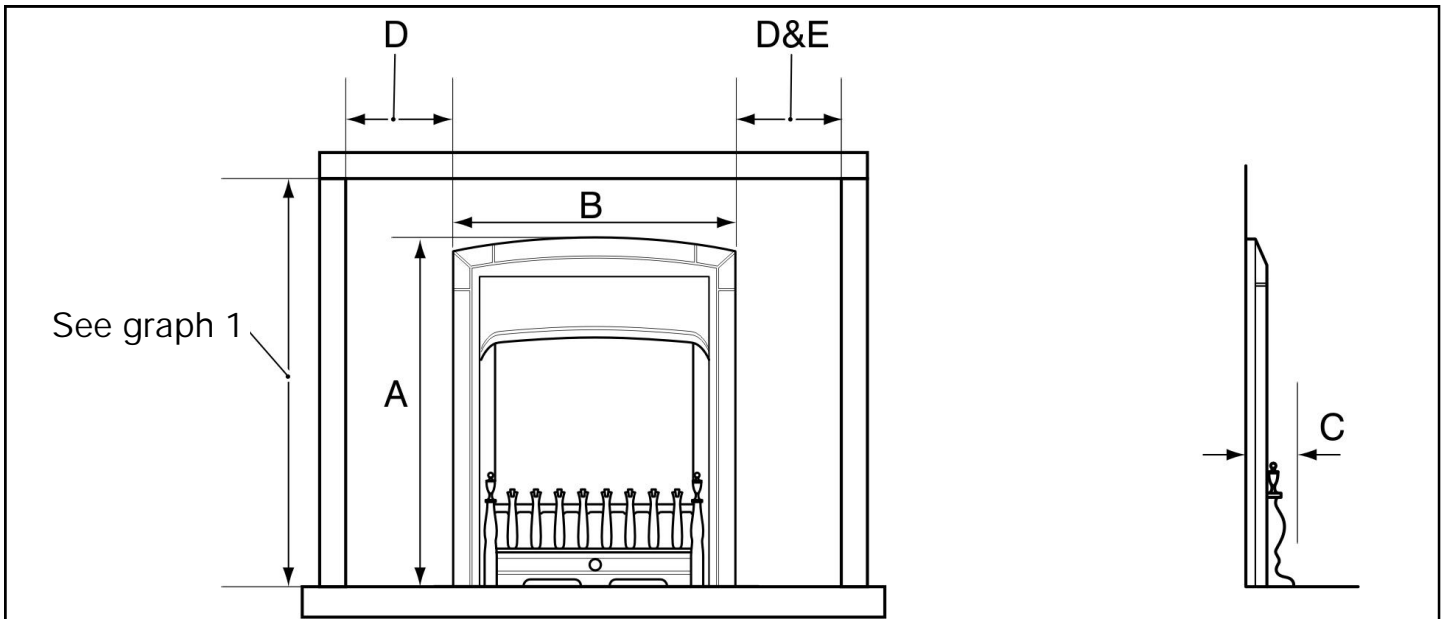


Figure 4. Removal of combustible cladding (Shown with the 'Chic' fascia)

INSTALLER GUIDE

figure 5.



Model	Key				
	A	B	C	D	E
	Height (mm)	Width (mm)	Depth into room (mm)	Minimum mandatory clearance to combustible surfaces projecting beyond the front of appliance (mm).	Recommended clearance to non-combustible surfaces for access purposes (mm).
Opulent & Luxor	606	518	85	100	100
Chic & Envy	600	467	57	100	100
Heritage	638	515	51	100	100
Westminster	610	510	56	100	100
Brooklyn & Moonlight	660	660	40	100	100

Figure 5. Appliance dimensions and clearances (Fascia may differ from that shown). Dimensions are subject to manufacturing tolerance.

INSTALLER GUIDE

4. PACK CONTENTS

(See figure 6).

- 1 Hotbox and burner assembly (On 'Moonlight' and 'Brooklyn' models the slider control is fitted to the hotbox).
- 1 Literature pack
- 1 Loose parts pack including: -
- 1 Length of self-adhesive foam seal
- 2 Fire retaining cables
- 2 Cable adjusters
- 1 Flue restrictor
- 4 Eyebolts
- 4 Fibre plugs
- 1 Slider knob and bracket assembly for Brooklyn and Moonlight models.
- 2 M4 x 10mm Screws (Knob assembly to slider on Brooklyn and Moonlight models).
- 2 No.8 x 3/8" screws for fitting flue restrictor
- 2 No.8 x 3/8" screws for fitting Chic "Hole in the wall" baffle.
- 2 M5 x 10 screws for fitting the fascia brackets on Opulent, Luxor, Heritage and Westminster models.
- 2 M4 x 10 screws for securing the fascia (Not required on Brooklyn and Moonlight models).
- 2 M4 x 10mm countersunk screws (For slider fixing on Opulent, Luxor, Westminster and Heritage).
- 4 Woodscrews
- 1 Strip of floor sealing tape
- 1 Self adhesive control position label.
- 1 Ceramic fuel effect pack (Not shown)
- 1 9V Battery
- 1 Grommet for rear of hotbox.
- 1 "T" connector including pressure test point, Nut and olive for 8mm inlet pipe.
- 1 Shoulder screw for connecting the slider control
- 1 Burner tray trim (Brooklyn and Moonlight)

'Opulent' and 'Luxor' fascia.

- 1 Fascia
- 1 Decorative knob
- 2 Fascia securing brackets
- 1 Slider control

'Heritage' fascia.

- 1 Fascia
- 2 Brackets
- 1 Slider control

'Envy' fascia

- 1 Fascia assembly.

'Chic' fascia

- 1 Fascia assembly.
- 1 Burner tray trim.
- 1 'Hole in the wall' baffle.

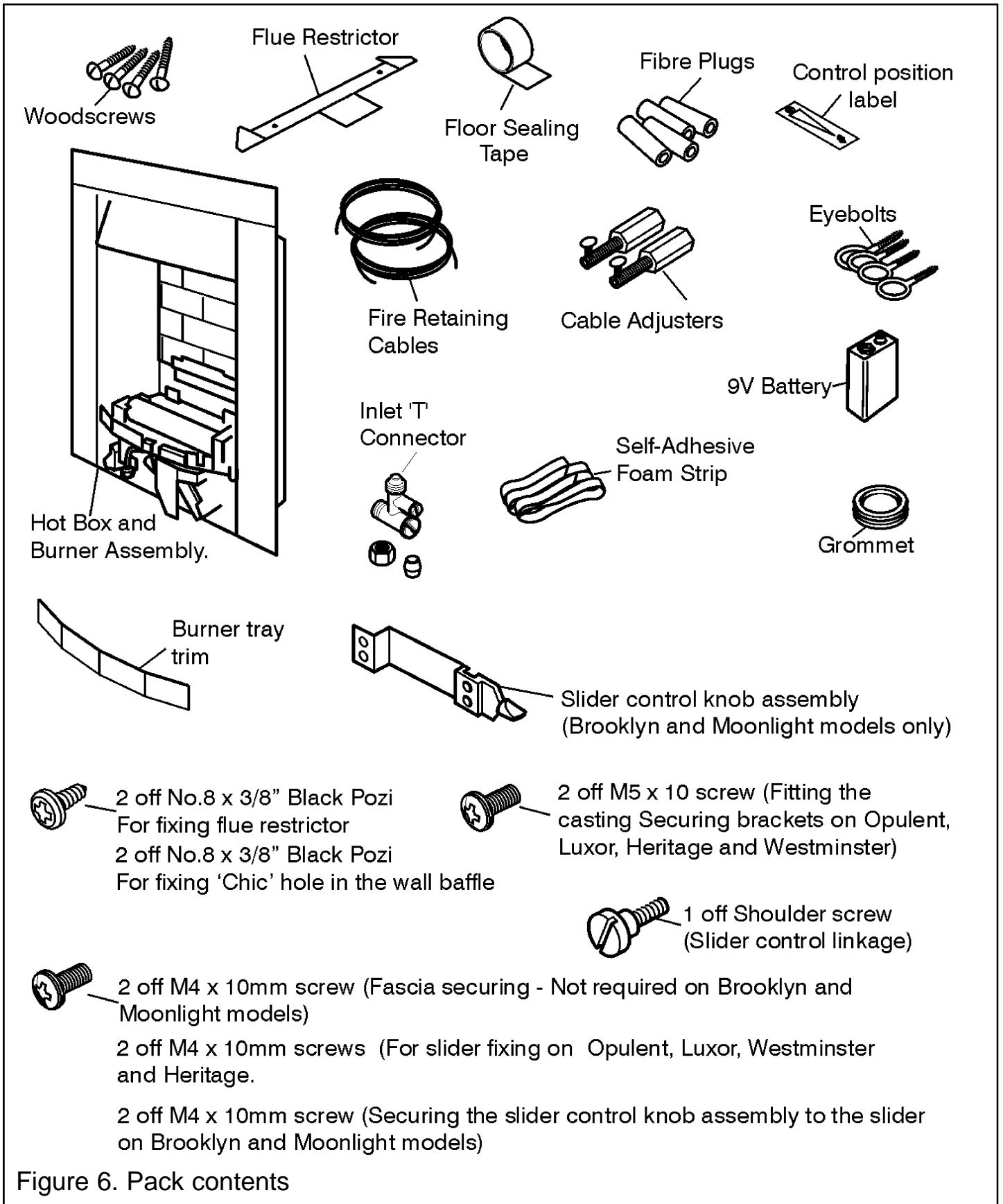
'Westminster' fascia.

- 1 Fascia
- 1 Slider control
- 2 Brackets
- 1 Slider control

'Moonlight' and 'Brooklyn' fascia.

- 1 Fascia with magnets

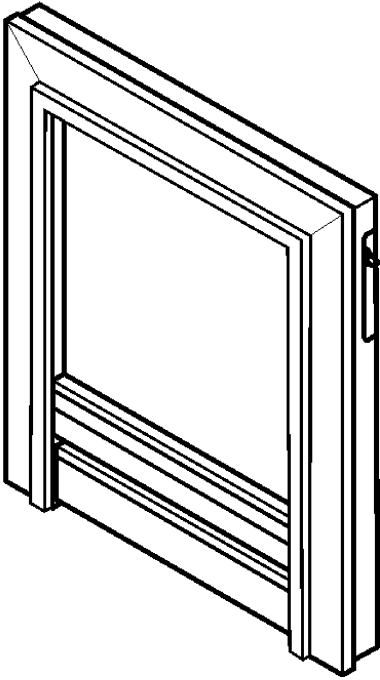
INSTALLER GUIDE



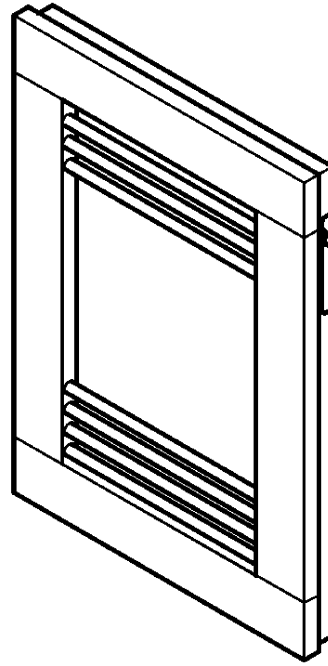
Remove all the items carefully to prevent damage. Take special care when handling the ceramic components. Some items may be contained in the packaging fitments - Examine the packaging carefully before discarding. Check that all the items are present and undamaged.

INSTALLER GUIDE

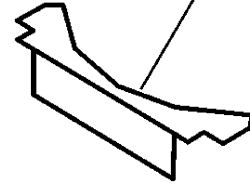
Envy



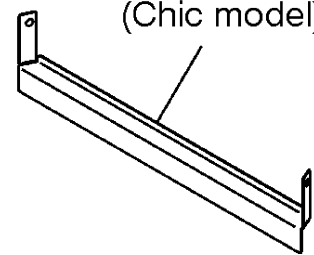
Chic



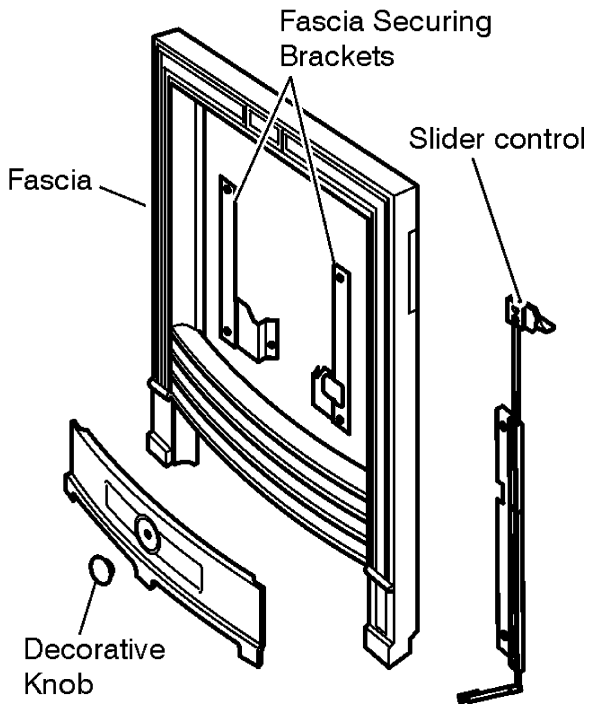
Burner tray trim
(Chic model)



'Hole in the wall' baffle
(Chic model)



Opulent and Luxor



Heritage

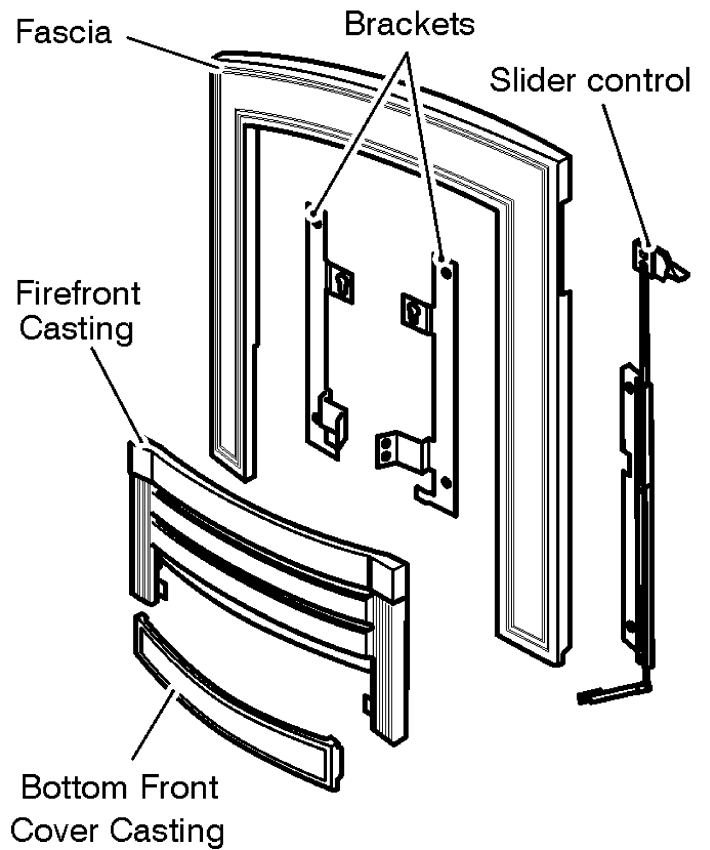
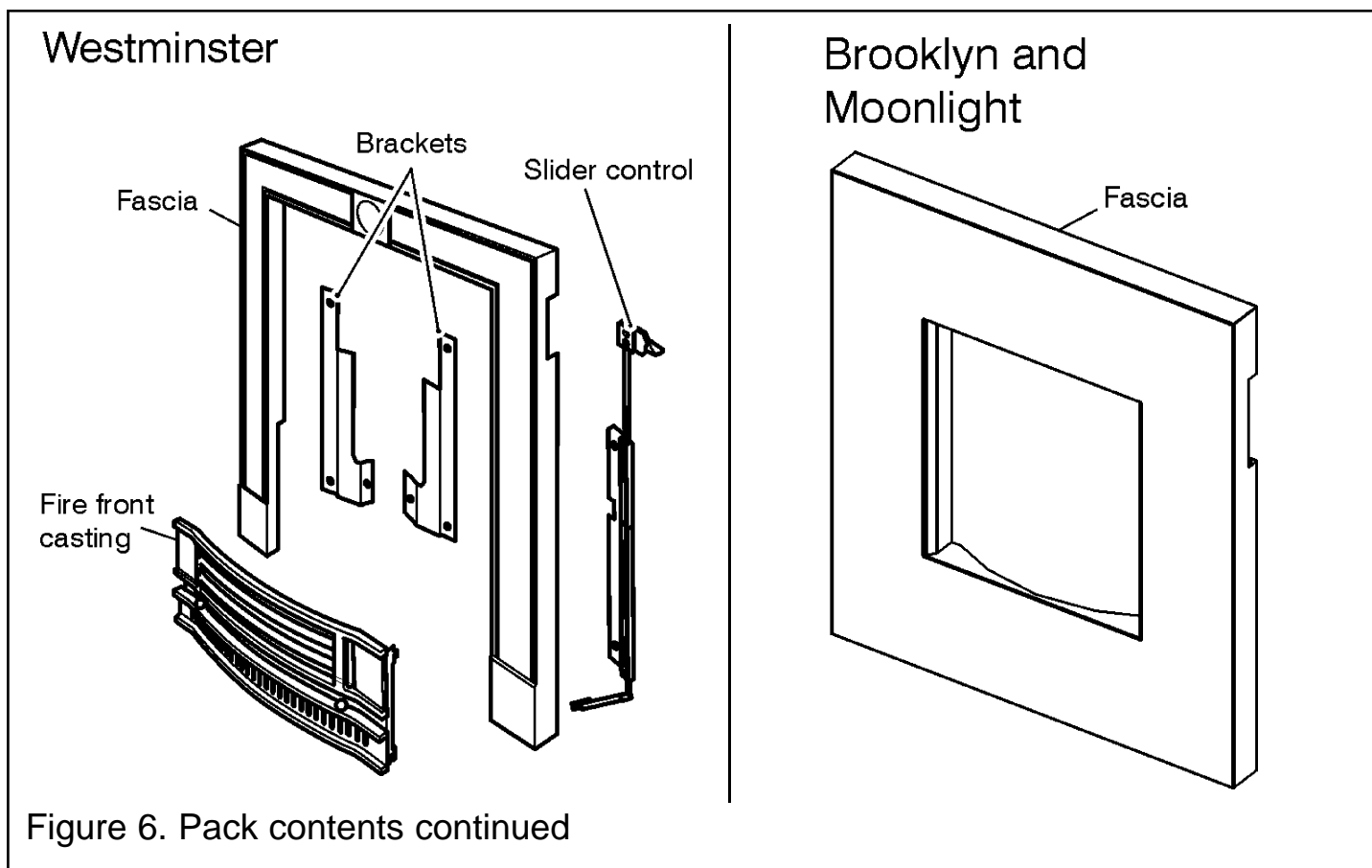


Figure 6. Pack contents continued

INSTALLER GUIDE



5. FIREPLACE CHECK

5.1 Fireplace check.

5.1.1 Fireplace size.

The fireplace must comply with the requirements described in section 3.2. This may entail removing the fireback and infill material behind the fireback.

5.1.2 Fireplace general condition.

The fireplace floor should be reasonably flat to ensure that the hotbox can be installed without it rocking and so that a good seal can be made at the bottom front of the box. The front face of the fireplace should be reasonably flat over the area covered by the hotbox top and side flange seals to ensure good sealing. These faces should be made good if necessary. If the appliance is to be fitted against a wall with combustible cladding, the cladding must be removed from the area covered by the fascia. The cladding must also not touch the fascia (See figure 4). We suggest that the actual fascia is used as a template to mark the area for combustible cladding removal and that this area is increased by at least 2mm all round.

5.1.3 Soundness for appliance attachment.

Two primary methods of retaining the appliance are provided: -

- 1) By fixing to the fireplace front surround.
- 2) Using concealed tension cables fixed to the rear of the fireplace opening together with secondary fixing to the fireplace floor.

The methods are detailed in section 9 of this manual. Before selecting the retention method, consult with the customer. Method 2 is provided for instances where drilling

INSTALLER GUIDE

holes in the front surface of the fireplace surround is unacceptable to the customer or otherwise impractical. *N.B. It is unwise to attempt to drill into marble without the proper tools and equipment.*

If method 1 is chosen, make sure that the front surround area is sound enough to take the fibre plugs and woodscrews. If necessary, make sound with suitable cement. If method 2 is chosen, make sure that the area at the back is sound enough to take the eyebolts. If these areas have deteriorated due to prolonged use, they should be made sound with suitable cement.

5.1.4 Installations using a metal flue box

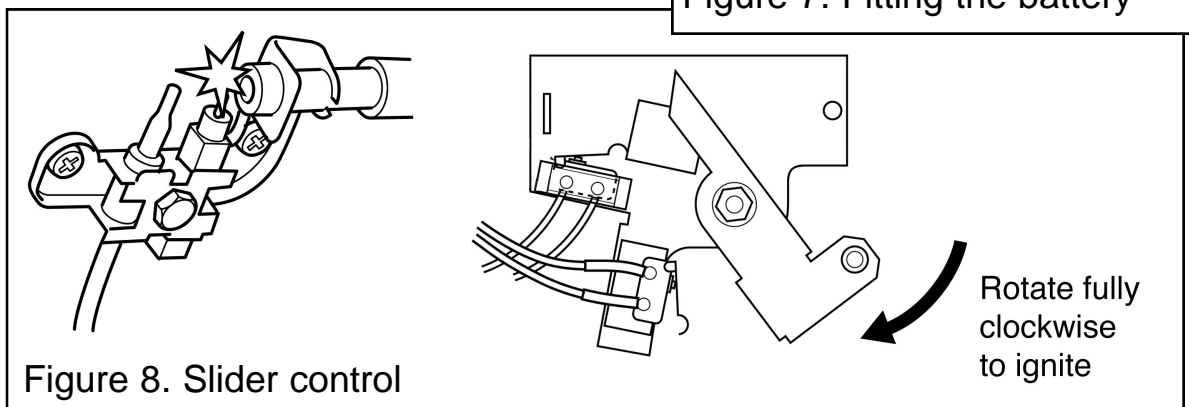
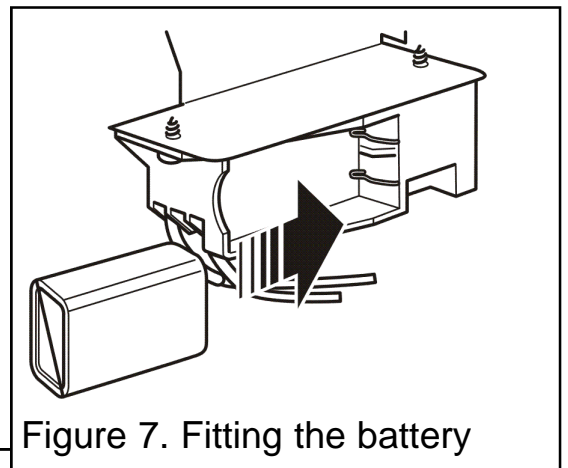
The whole of the top surface of the metal flue box must be covered with a minimum 50mm layer of mineral wool or equivalent insulation (See figure 2).

5.2 Fireplace flue pull.

Close all doors and windows in the room in which the appliance is to be installed. After confirming with a match that smoke is drawn into the flue, light a 13 gram smoke pellet and check that there is a definite flow through the flue. Verify outside that the smoke exits from one terminal only and that the termination is suitable. Observe where possible, upstairs rooms and loft spaces for signs of escaping smoke indicating a defective flue. If there is not a definite flow warm the flue for a few minutes and repeat the smoke pellet test. If there is still no definite flow the flue may need remedial work – **Do not fit the appliance until there is a definite flow through the flue.**

6. IGNITION CHECK

Before attempting to install, it is worth checking that the electronic ignition system performs satisfactorily. Fit the battery to the ignition block located below the burner tray at the left side (See figure 7). The positive (+ ve) and negative (- ve) terminals are clearly shown on the ignition block body.



INSTALLER GUIDE

Chic, Envy, Heritage, Luxor, Opulent & Westminster Slimline models.

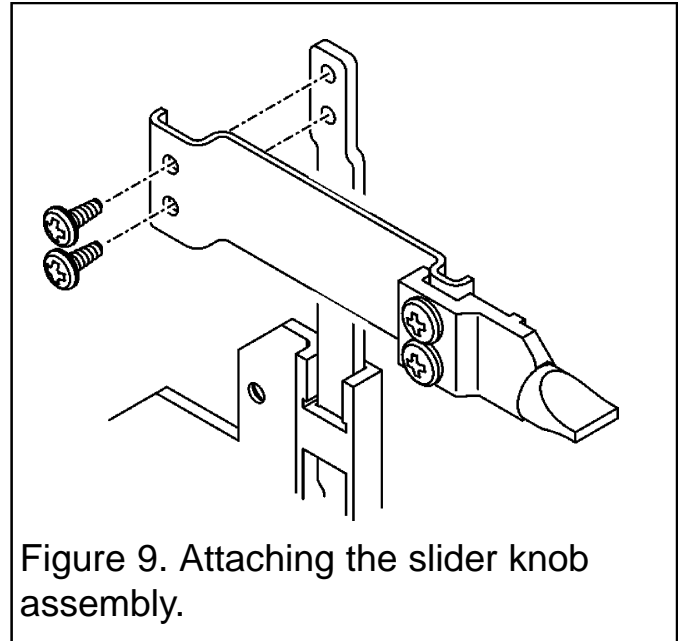
- Depress the control pivot plate as far as it will go. This should close the ignition circuit. Sparks should be seen tracking from the electrode pin to the pilot tip (See figure 8).

Brooklyn & Moonlight models.

- Attach the Slider knob assembly to the slider using two M4 x 10mm screws supplied (See figure 9).
- Press down the control knob as far as it will go. This should close the ignition circuit. Sparks should be seen tracking from the electrode pin to the pilot tip

On Moonlight and Brooklyn models

- If there are no sparks make the following checks.
- Check condition of battery and that it is correctly fitted.
- If the above is satisfactory, check the ignition circuit and components (See the servicing section in this manual).



7. GAS SUPPLY CONNECTION

A nut and olive are provided for an 8mm pipe inlet connection to the 'T' connector at the bottom front of the appliance. The 'T' connector can be rotated to allow a connection from any direction. The 'T' connector includes a valve for isolating the gas supply and a pressure test point.

The supply pipe must be rigid material. Flexible pipe must not be used.

Concealed supply pipe connection.

If a concealed connection from inside the fireplace is required then, **before the appliance is fitted into the fireplace** it will be necessary to extend the supply line so that it will project through the hole in the back of the hotbox and run to the 'T' connector at the front. The pipe run from the supply line up to the rear opening in the hotbox must be kept away from the area which will be taken by the hotbox when it is installed. Note that the centre of the appliance inlet 'T' connector is 25mm above the fireplace floor.

The inlet 'T' connector should be fitted to the supply pipe at this stage.

INSTALLER GUIDE

8. PREPARING APPLIANCE FOR INSTALLATION

8.1 Appliance preparation.

1. Remove any transit tape and packing and inspect for any evidence of mishandling which might affect the performance. Each unit is flame tested before it leaves the factory and as a result there may be slight discolouration around the burner ports.

2. Detach the burner unit from the hotbox by removing two screws (See figure 10). Lift the burner unit clear.

IMPORTANT

Before continuing with the installation of this gas fire the aeration setting on the burner must be checked. The aeration is factory set for use with a ceramic pebble fuel effect (See section 16.1).

3. It is important that the grommet supplied in the loose parts pack is fitted to the hole in the rear of the hotbox.

4. There is a length of self adhesive foam seal supplied with the fire. This will need to be fitted to the outer rear edges of the side and top flanges of the hotbox. Cut the foam seal to the required length. Be careful not to stretch the seal when measuring. Remove the protective backing from the foam seal and fit this to the rear of the top flange (See figure 11).

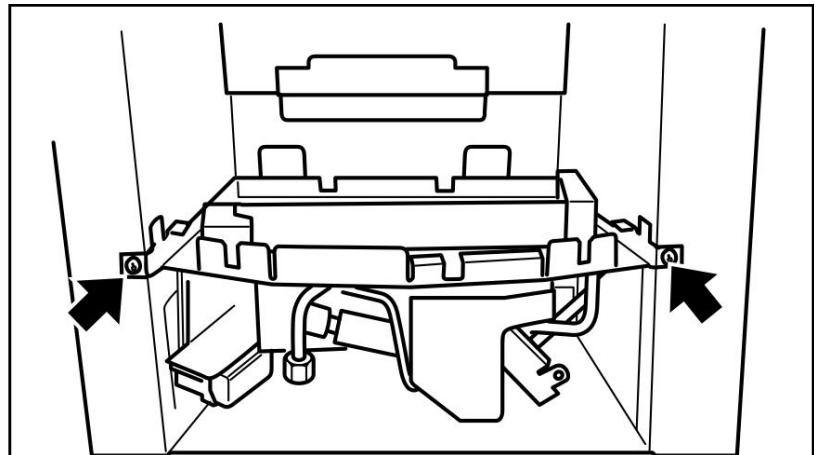


Figure 10. Burner attachment points (Burner detail may differ from that shown)

The Foam Seal should touch at this point
Ensure that there is no gap between the seals

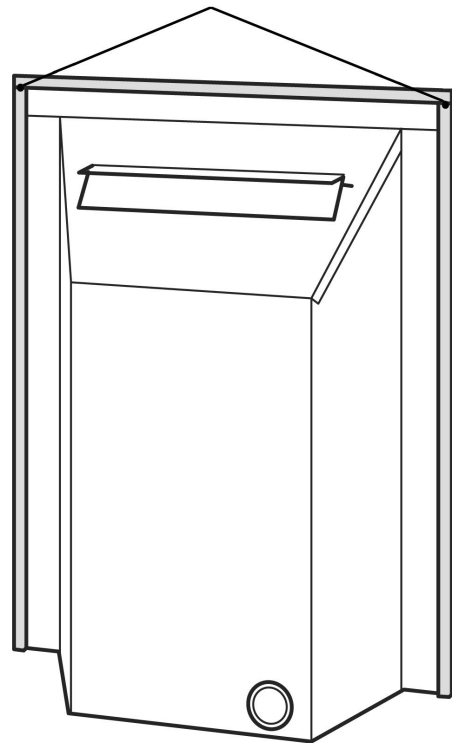


Figure 11. Fitting the foam seal

INSTALLER GUIDE

8.2 The flue restrictor.

This appliance is supplied with a flue restrictor for use where the flue draught is excessive. **The restrictor must not be fitted where a precast flue or a 125mm flue liner is used.** For flue liners greater than 125mm and all other installations the restrictor should be fitted. There may however, be certain exceptional circumstances where fitting the restrictor causes the fire to fail the spillage test. In such cases the restrictor will have to be removed. After removal conduct the spillage check again. The restrictor is packed flat with the appliance and will require bending prior to fixing. Bend the restrictor as shown in figure 12. Fit the restrictor as shown in figure 13 using the two screws provided.

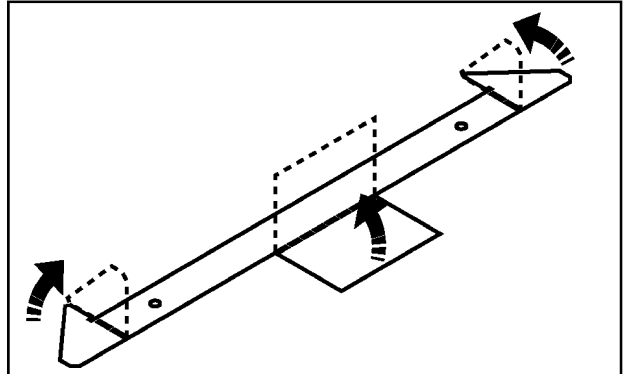


Figure 12. Bending the restrictor

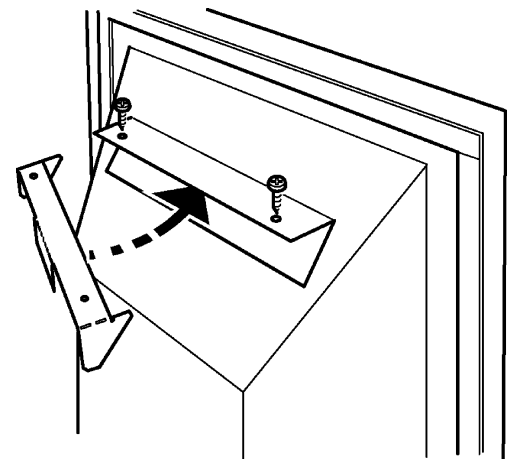


Figure 13. Fixing restrictor

9. HOTBOX INSTALLATION

9.1 Method 1- Front fixing to fireplace surround.

1. Make sure that the fireplace front surround area is sound enough to take the fibre plugs and woodscrews. If necessary, make sound with suitable cement.
2. Place the hotbox centrally in the fireplace in the position in which it is to be permanently installed. If a concealed connection is being used, insert the hotbox into the fireplace feeding the supply pipe through the pierced hole in the grommet.
3. Mark the fireplace front surround through the four fixing holes in the side flanges of the hotbox (See figure 14).
4. Remove the hotbox. Drill four holes in the fireplace front surround at the marked positions using a suitably sized masonry drill for the wall plugs supplied.
5. Insert a fibre plug into each hole.
6. Place the hotbox back in position in the fireplace.

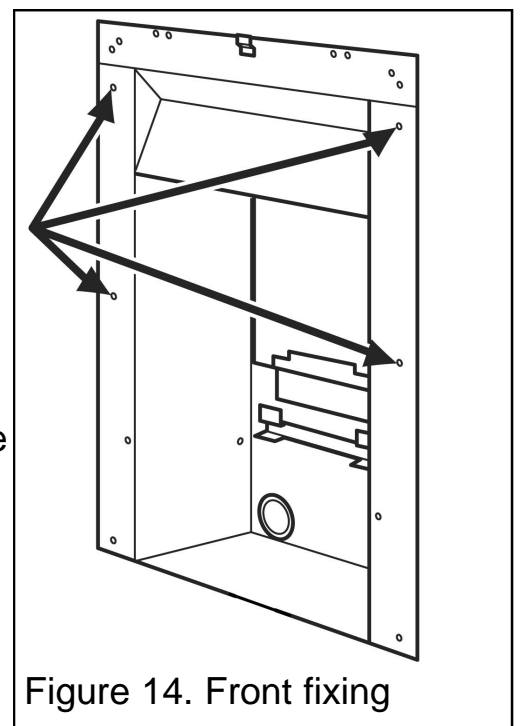


Figure 14. Front fixing

INSTALLER GUIDE

7. Fit a woodscrew through each hole in the hotbox flanges and tighten to seal the box to the fireplace surround.

9.2 Method 2 - Cable retention.

1. Make sure that the relevant areas at the fireplace back are sound enough to take the eyebolts. If these areas have deteriorated due to prolonged use they should be made sound with suitable cement.

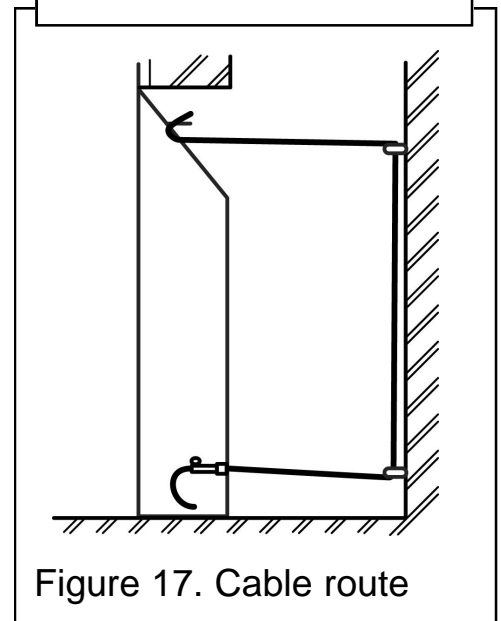
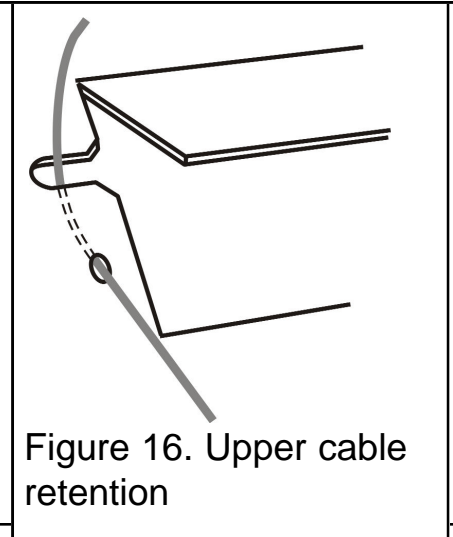
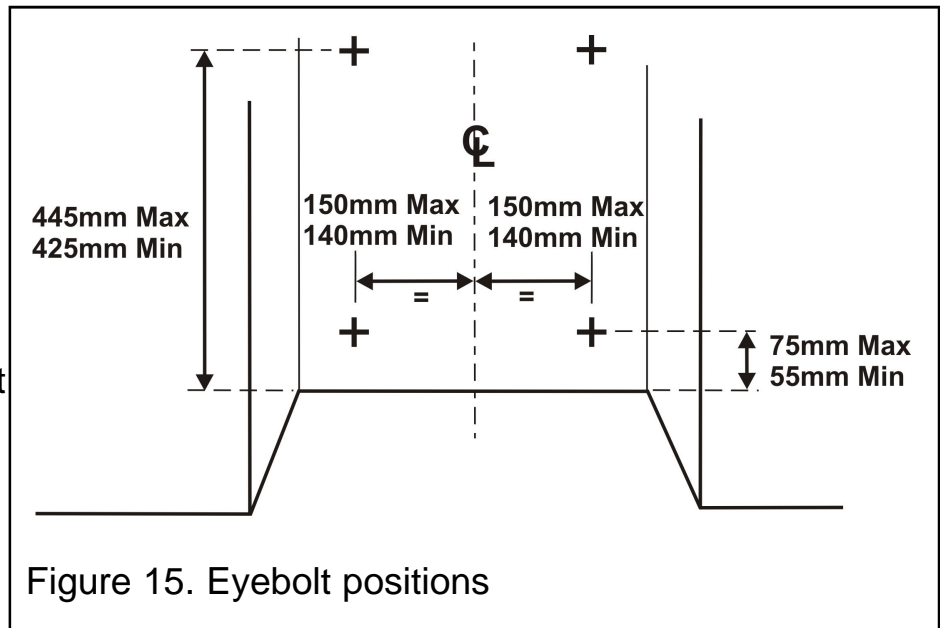
2. Drill four holes in the rear wall of the fireplace for the eyebolt plugs. The holes should be drilled within the range of positions shown in figure 15 using a suitably sized masonry drill bit for the wall plugs supplied. The holes should be equidistant each side of the centre line of the fireplace to ensure that the appliance finishes centrally in the opening when tension is applied to the cables.

3. Insert a fibre plug into each hole. Use the fibre plugs supplied with this appliance - **Never use plastic plugs instead of the fibre plugs supplied.** Screw the eyebolts into the plugs. Make sure that the bolts are secure.

4. Place the hotbox unit close to the fireplace but allow sufficient access into the fireplace opening so that the cables can be threaded through the eyebolts and returned through the side of the hotbox. If a concealed connection is being used, insert the hotbox into the fireplace feeding the supply pipe through the pierced hole in the rear grommet.

5. The rear of the hotbox has a slot and hole each side of the outlet opening. Assemble one end of the cable to the top of the fire by passing it through the small round hole and locking by positioning the cable in the adjacent slot (See figure 16). Give the cables a pull so that they grip.

6. Thread the cables through the eyebolts. Return the cables through the holes near the bottom of the hotbox side panels (See figure 17).



INSTALLER GUIDE

7. Place the hotbox fully back into the fireplace opening so that it is sealed against the fireplace front surround.
8. Fit a cable retainer over the bottom end of each cable.
9. Pull each cable taut. Push the cable retainers hard up against the side panels. The end of the cable adjuster will pass into the hole. Tighten the screws in the retainers so that they clamp the cables in position. Apply tension to the cables by turning the hexagonal adjusters by hand (See figure 18).
10. Inspect the installation of the hotbox against the fireplace surround. If the hotbox is aligned squarely and the sealing is satisfactory, fully tighten the cable retainers.
11. If the hotbox is not correctly aligned, release the tension on the cables by slackening the screws and turning the hexagonal adjusters fully anticlockwise. The hotbox should then automatically realign itself. Pull each cable taut again and push the cable retainers back against the side panels. Again, tighten the screws in the retainers and apply tension to the cables by turning the hexagonal adjusters clockwise as far as possible.
12. Do not cut off any excess cable, instead coil up the cable so that they are available to allow easy removal and refitting of the appliance during subsequent service calls.

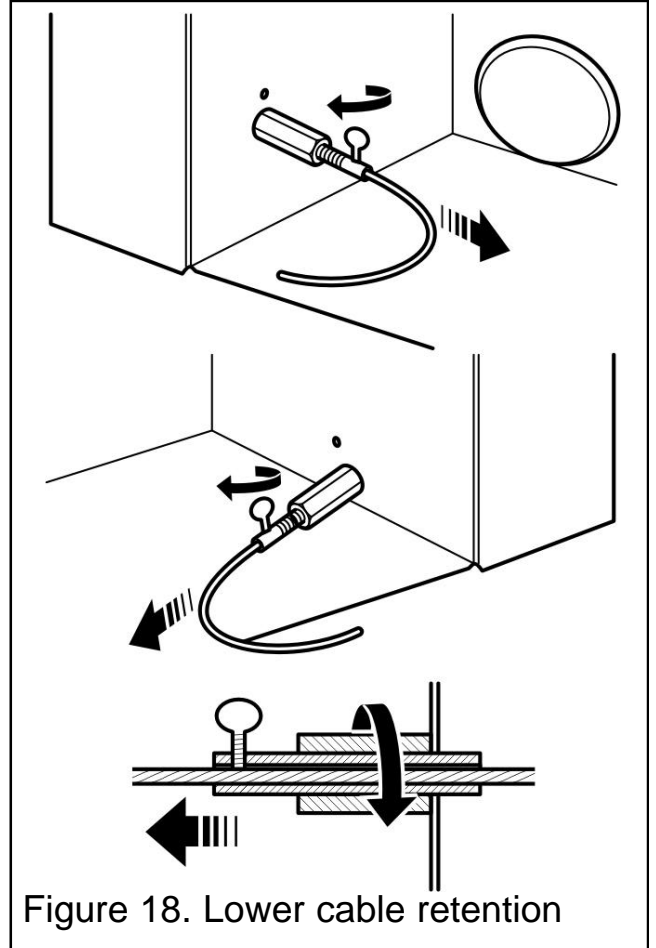


Figure 18. Lower cable retention

9.3 Floor sealing - All installations.

Using the floor sealing tape supplied, seal the bottom of the hotbox to the fireplace and hearth floor (See figure 19).

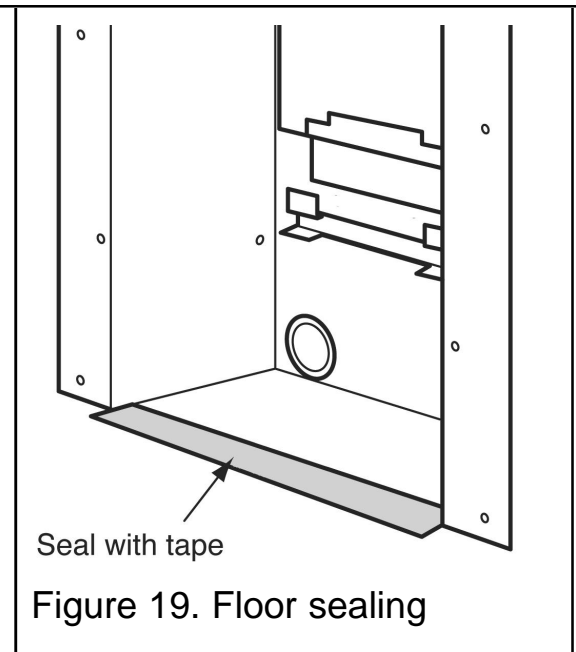


Figure 19. Floor sealing

INSTALLER GUIDE

10. BURNER INSTALLATION

10.1 Burner and supply pipe installation.

1. Fit the burner unit to the hotbox using the two screws removed previously
2. Connect the supply line to the appliance.
3. If closed, open the isolating valve at the inlet 'T' connector.
4. Turn on the gas supply and pressure check the installation pipework for gas soundness. In the United Kingdom check in accordance with the current edition of BS 6891. In the Republic of Ireland refer to the current edition of I.S. 813 "Domestic gas installations".

10.2.1 Lighting the burner.

1. If closed, open the isolating valve at the inlet 'T' connector.
2. Depress the control pivot plate / control knob as far as it will go and hold in this position (See section 6, figure 8). This should close the ignition circuit and (now that the gas is connected) simultaneously open the gas tap allowing the gas to flow to the pilot.

Wait a few seconds while the air is purged. The electronically generated sparks should light the pilot. The pilot should then light the main burner at its low setting. There may be a delay of up to four seconds between the pilot lighting and ignition of the gas at the main burner. This is normal and is due to the time required to fill the main burner compartment with sufficient gas for ignition.

10.2.2 Operating the burner.

1. When the burner is operating properly, gradually lift the control pivot plate / control knob upwards. The burner flames should gradually increase until the control pivot plate / control knob is nearly at its highest position. You should feel some resistance when the control pivot plate / control knob reaches the maximum burner flame position. Lifting further upwards until the control pivot plate / control knob comes to a stop should then turn the burner and pilot off. When the above checks have been completed close the isolating valve on the inlet 'T' connector. If the above checks are satisfactory, continue with the installation. If not, check the control and ignition circuitry and components as described in the servicing section of this manual.

10.3 Inlet pressure check.

The appliance is pre-set to give the correct heat input at the inlet pressure shown in section 2 of this manual. No adjustment is necessary.

1. Check the inlet pressure by fitting a pressure gauge at the test point. The test point is on the inlet 'T' connector (See figure 20). Check the pressure with the appliance alight and set at

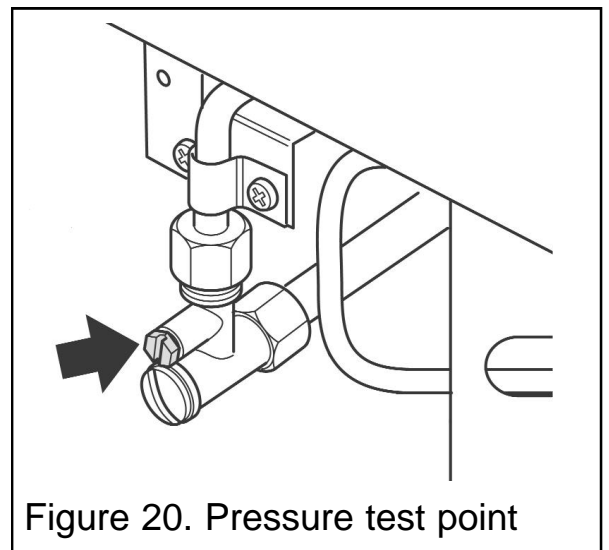


Figure 20. Pressure test point

INSTALLER GUIDE

maximum output.

2. After checking, turn off the appliance. Remove the pressure gauge and replace the test point sealing screw.

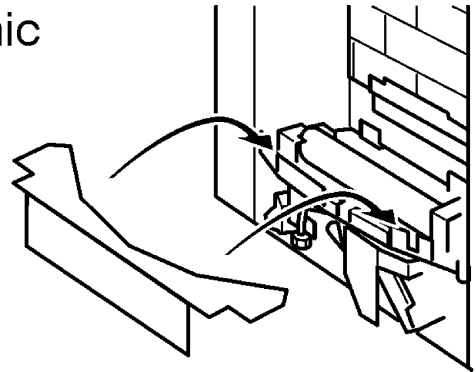
3. Relight the appliance. Turn to the maximum output position and test around the sealing screw for gas soundness with a suitable leak detection fluid.

10.4 Fitting the burner tray trim to the Brooklyn, Chic and Moonlight models.

All other models do not have a burner tray trim.

1. Fit the burner tray trim over the front rim of the burner tray. There are two tags which locate over the edge of the burner tray. Push the trim fully down (See figure 21).

Chic



Brooklyn &
Moonlight

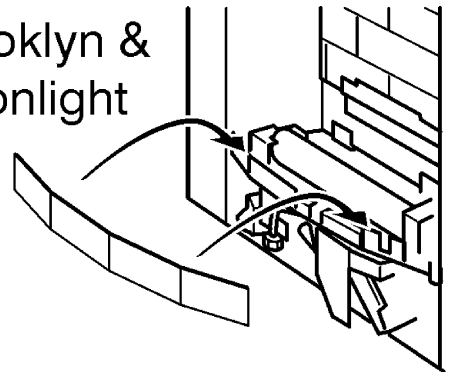


Figure 21. Fitting burner tray trim to 'Chic' model.

INSTALLER GUIDE

11. FITTING THE FASCIA

11.1 Assembling the 'Luxor' and 'Opulent' fascia.

(See figure 22).

Step 1. Lay the fascia face down on a flat surface.

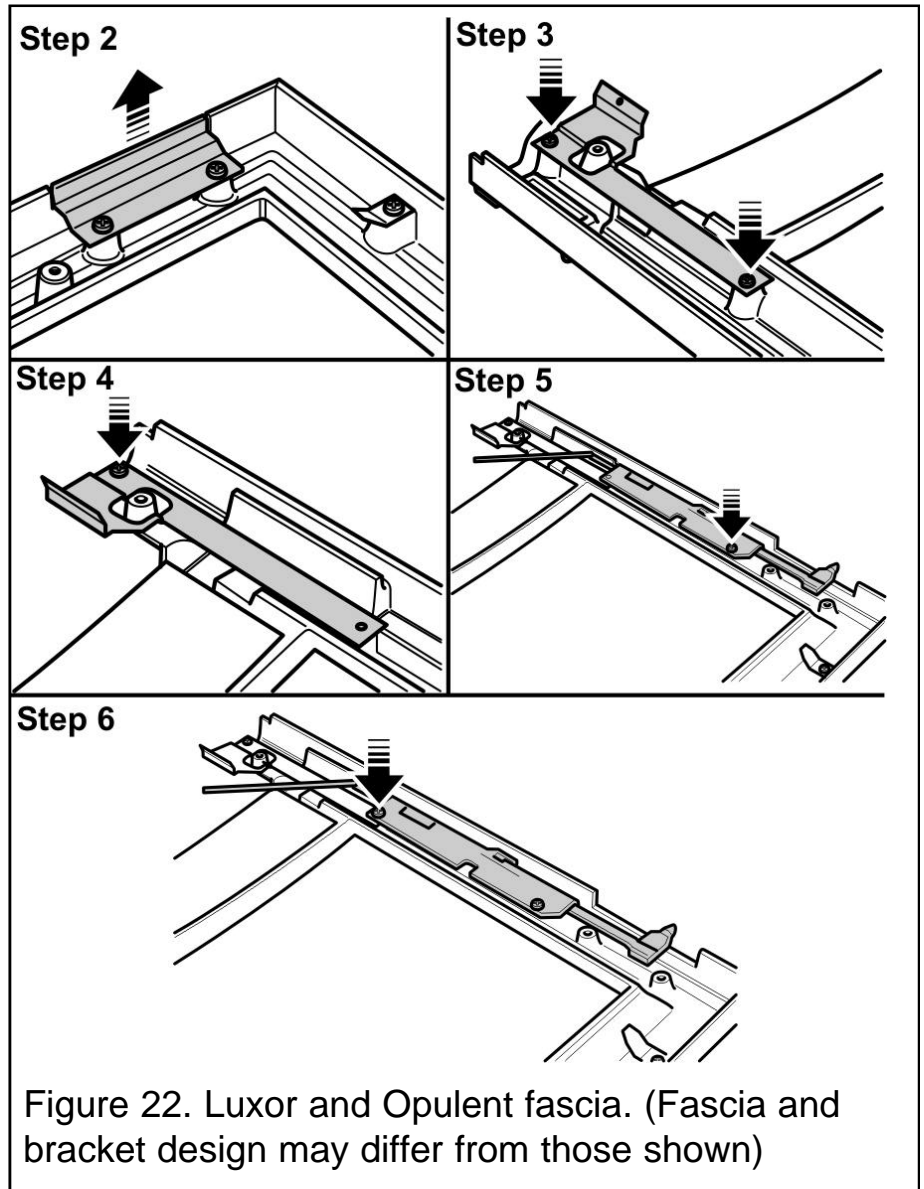
Step 2. Unscrew and remove the side infill panel. Discard the side panel and screws.

Step 3. Locate the lower right hand bracket onto the fascia and secure with 2 off M5 x 10mm screws supplied.

Step 4. Locate the lower left hand bracket onto the fascia and secure through the lower hole with 1 off M5 x 10mm screw supplied.

Step 5. Locate the slider control and secure through the upper hole with 1 off countersunk M4 x 10mm screw supplied.

Step 6. Secure the top of the left hand bracket and bottom of the slider control using 1 off countersunk M4 x 10mm screw supplied.



11.2 Assembling the 'Westminster' fascia.

(See steps 3-6 in figure 22).

Step 1. Lay the fascia face down on a flat surface.

Step 2. Locate the lower right hand bracket onto the fascia and secure with 2 off M5 x 10mm screws supplied.

Step 3. Locate the lower left hand bracket onto the fascia and secure through the lower hole with 1 off M5 x 10mm screw supplied.

Step 4. Locate the slider control and secure through the upper hole with 1 off M4 x 10mm screw supplied.

Step 5. Secure the top of the left hand bracket and bottom of the slider control using 1 off M4 x 10mm screw supplied.

INSTALLER GUIDE

.3 Assembling the 'Heritage' fascia.

(See figure 23).

Step 1. Lay the fascia face down on a flat surface.

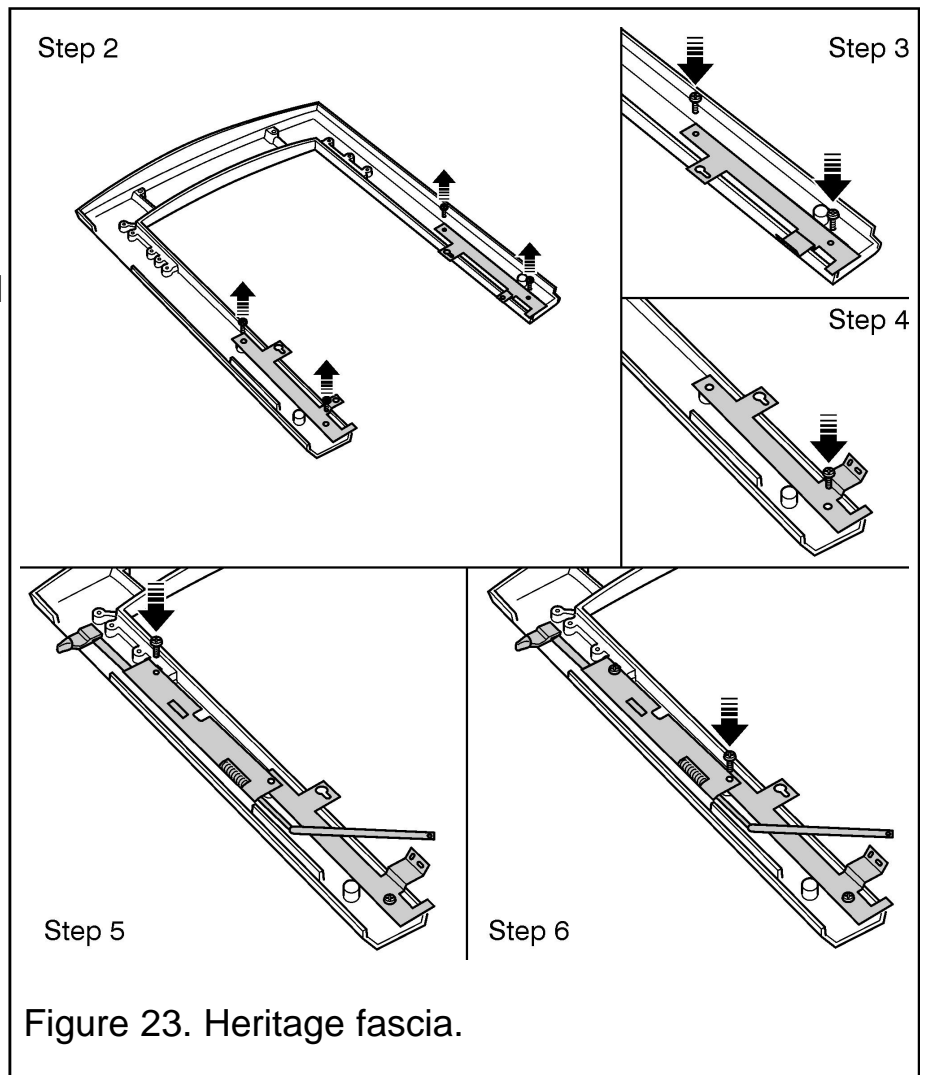
Step 2. Unscrew and remove the lower brackets.

Step 3. Supplied with the fascia are two replacement brackets. Locate the right hand replacement bracket onto the fascia and secure with 2 of the screws previously removed (M5 x 10mm).

Step 4. Locate the left hand replacement bracket onto the fascia and secure through the lower hole with 1 of the screws previously removed (M5 x10mm).

Step 5. Locate the slider control and secure through the upper hole with 1 off countersunk M4 x 10mm screw supplied.

Step 6. Secure the top of the left hand bracket and bottom of the slider control using 1 off countersunk M4 x10mm screw supplied.



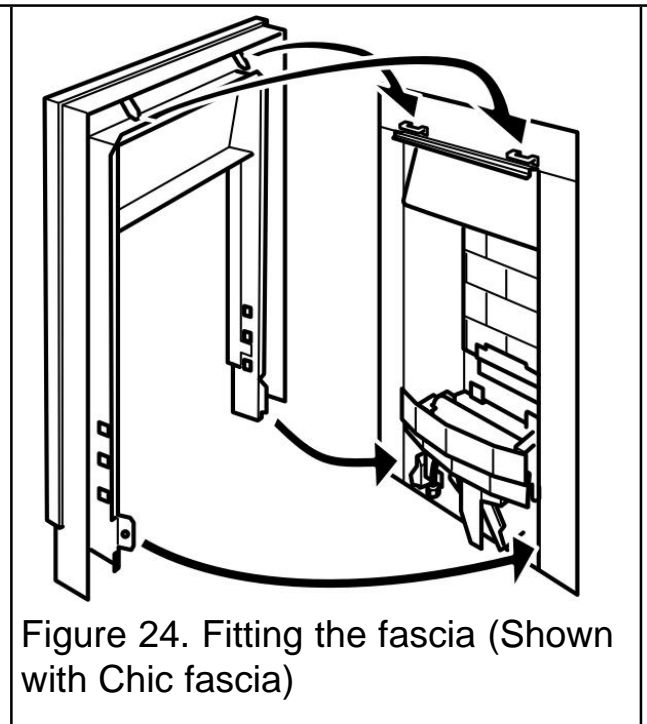
11.4 Fitting the 'Luxor', 'Opulent', 'Heritage' and 'Westminster' fascia.

1. Fit the fascia to the appliance by locating the top to the upper hanging brackets (See figure 24), then attaching it to the body of the appliance using the two screws supplied (See figure 25).

2. Connect the control linkage to the control pivot plate using the shouldered screw and using a screwdriver (NOT finger tight only) (See figure 25).

3. 'Luxor' and 'Opulent' models only - Fit the decorative knob to the firefront / ash pan and place centrally beneath the fascia.

4. Supplied with the fire is a self adhesive control position label. Peel the backing



INSTALLER GUIDE

from the label and place as in figure 27.

5. Locate the lower firefront.

11.5 Fitting the Chic and Envy front fascia.

1. Remove the packing from the fascia.

2. The lower fascia section is held in place with magnets. Hold the sides of the lower fascia and pull gently forward to remove.

3. A 'Hole in the wall' baffle is supplied with 'Chic' models. In elevated installations this baffle will reduce the visibility of the sealing tape. If required, locate the baffle as in figure 28.

4. Fit the fascia to the appliance by locating the top to the upper hanging brackets (Figure 24), then attaching it to the body of the appliance using the two screws supplied. If using the 'Hole in the wall' baffle, place the fascia brackets over the baffle and secure using the two screws for securing the fascia (See Figure 25).

5. Connect the control linkage to the control pivot plate using the shouldered screw previously removed and using a screwdriver (NOT finger tight only) (See figure 26).

6. **Chic model only** - Supplied in the fascia pack are two tubular trim sets. Hang one set at the top of the fascia and the other at the bottom (See figure 29).

6. **Envy model only** - Locate the lower section of the fascia onto the tabs as shown in figure 30.

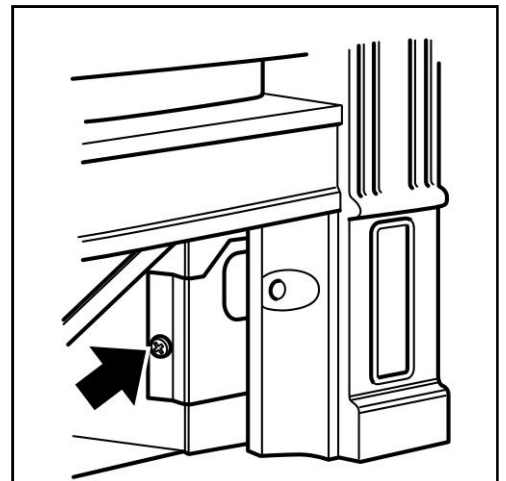


Figure 25. Fascia securing screws (fascia may differ from that shown).

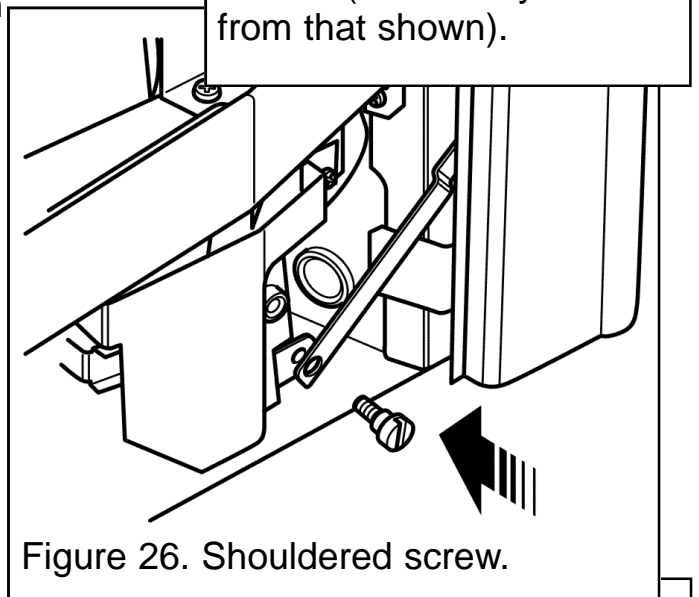


Figure 26. Shouldered screw.

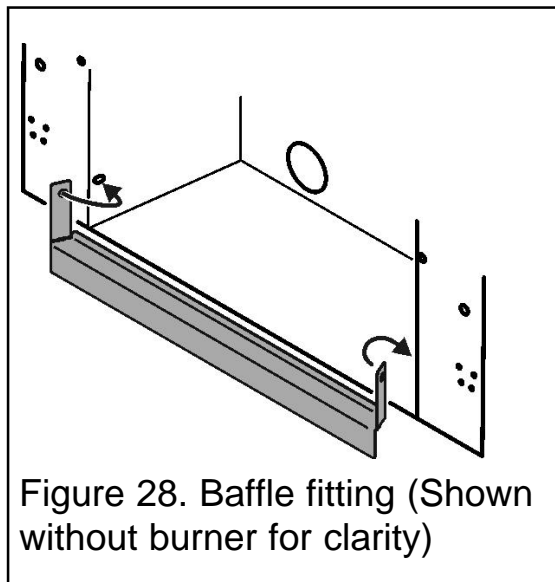


Figure 28. Baffle fitting (Shown without burner for clarity)

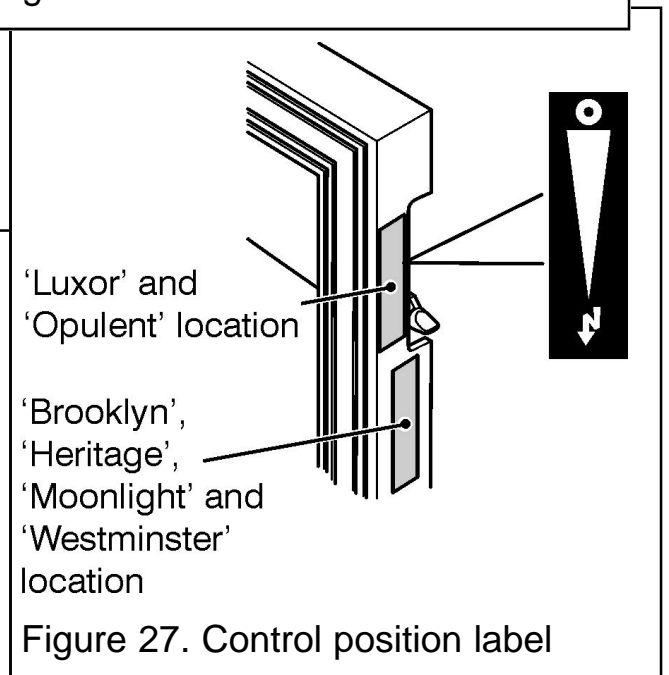


Figure 27. Control position label

INSTALLER GUIDE

7. The lower section of the fascia has two tabs. Locate these into the slots in the fascia (See figure 31). It may be necessary to re-position the magnets that secure the lower section.

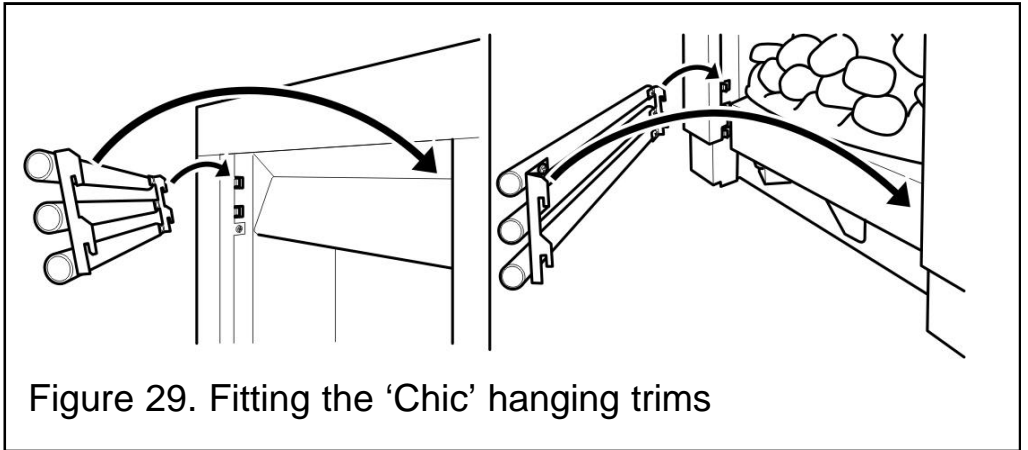


Figure 29. Fitting the 'Chic' hanging trims

11.6 Fitting the Brooklyn and Moonlight fascia.

1. Remove the packing from the fascia.

2. Fit the fascia to the appliance by locating the upper bracket to the upper hanging brackets on the hotbox (See figure 32). The lower section of the fascia is fitted with magnets.

Gently swing the fascia towards the hotbox and the magnets will secure the fascia in place.

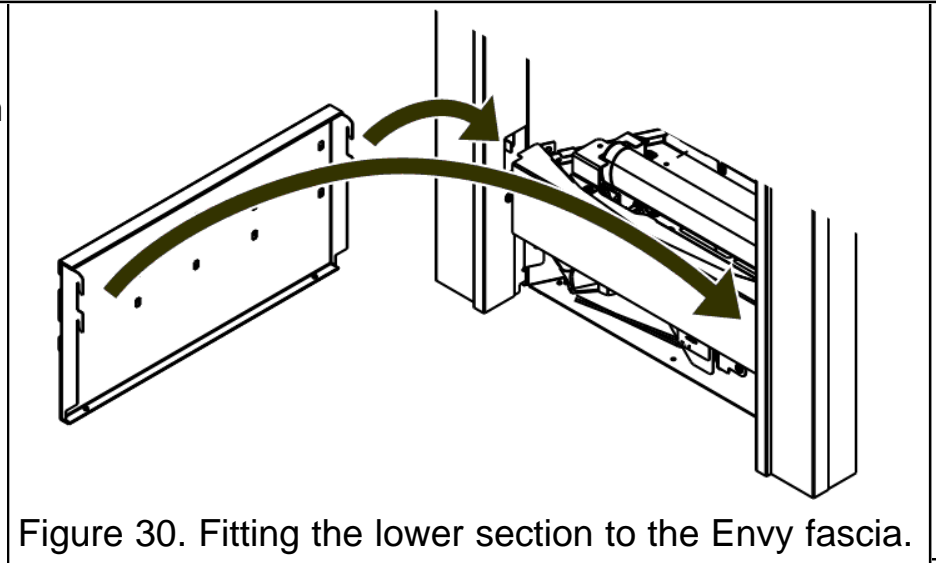


Figure 30. Fitting the lower section to the Envy fascia.

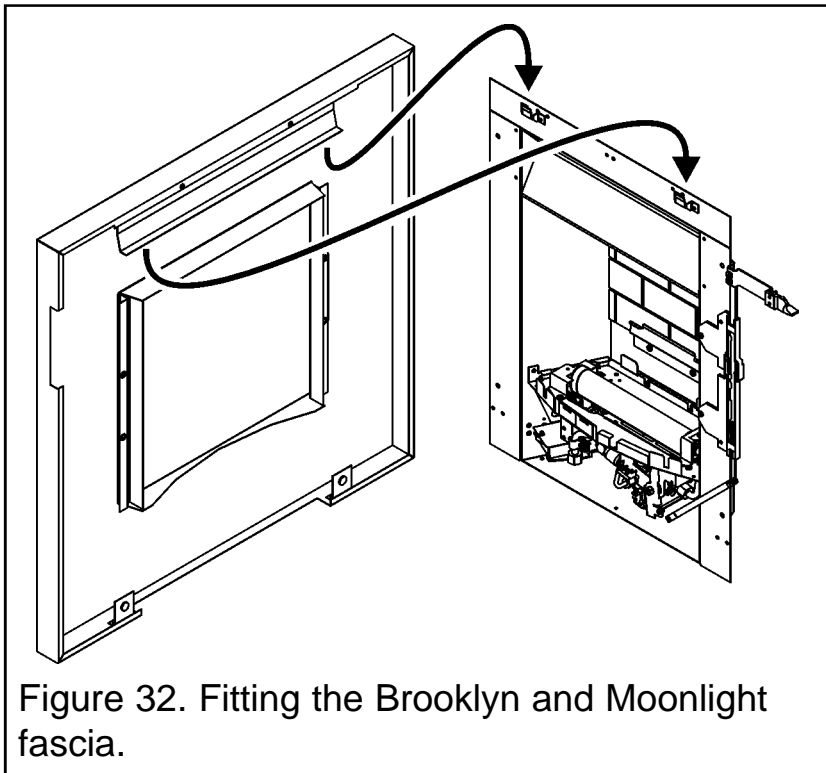


Figure 32. Fitting the Brooklyn and Moonlight fascia.

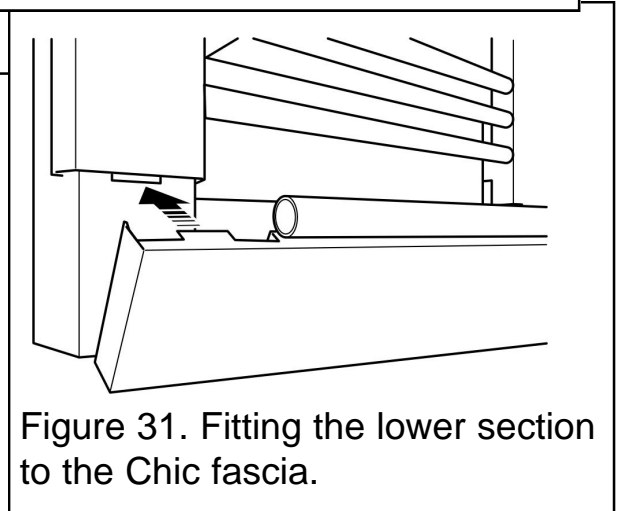


Figure 31. Fitting the lower section to the Chic fascia.

3. Supplied with the fire is a self adhesive control position label. Peel the backing from the label and place as in figure 27.

INSTALLER GUIDE

12. FITTING THE CERAMIC FUEL EFFECT

The installer and owner guide for the ceramic fuel effect is supplied with the ceramic fuel effect. It is important that the fitting guide for the ceramic fuel effect be placed inside or attached to this guide and handed to the customer following completion of the 'Final review' section.

13. FULL OPERATING CHECKS

13.1 Recheck the control settings.

The control position markings on the fascia are shown in figure 33.


Please note:

- When first turned on from cold, the flames will appear predominantly blue.
- When operating the fire for the first time, some vapours may be given off which could set off smoke alarms in the vicinity. These vapours are quite normal with new appliances. They are totally harmless and will disappear after a few hours use.

13.1.1 Lighting the burner.

1. Make sure the slider button is at the off position (At topmost position marked "O" on the front fascia).
2. Open the isolating valve on the inlet 'T' connector.

Replace the sealing screw and test around the sealing screw for gas soundness with a suitable leak detection fluid.

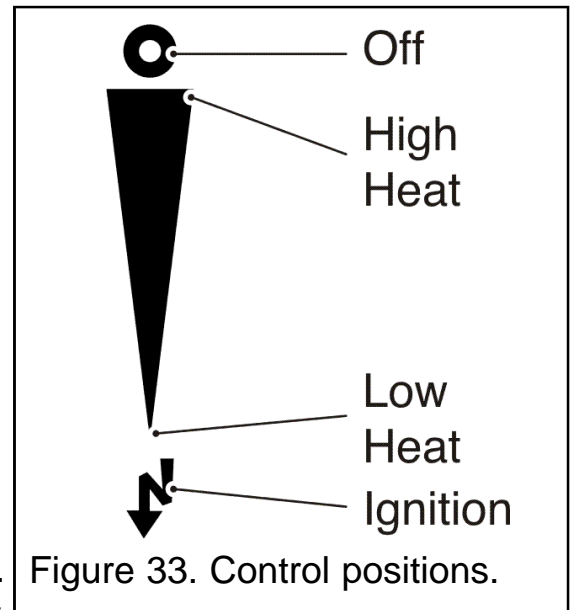
3. Slide the button to the bottom (ignition) position marked . Retain in this

position to ignite the pilot. The burner should ignite at its lowest setting within 4 seconds of the pilot igniting. Keep at this position for a further 10 seconds to allow the pilot flame to stabilise.

4. Release the button. The button should automatically spring up to the low heat position. If the flames go out at this stage or when checking the rest of the setting positions, try the full lighting sequence again. If the flames fail after two attempts, investigate the pilot unit.

13.1.2 Operating the burner.

1. Gradually slide the button up to increase the burner setting. The burner should be at its maximum setting at the high heat position shown in figure 33. You should feel a check to the button movement at this position.
 2. Slide the control button up past the high heat position to the off ("O") position at the top of the slide slot. Both pilot and main burner should go out.
- While cooling the ceramic fuel effects may make some crackling noises. This is quite



INSTALLER GUIDE

normal.

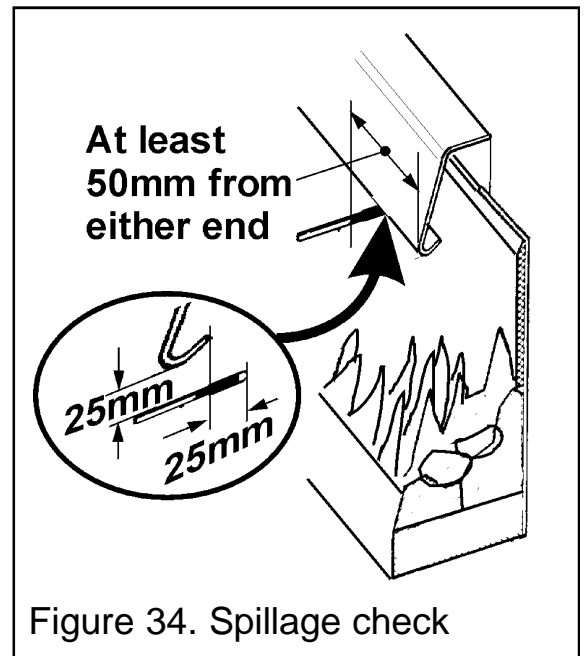
3. Check that the control linkage bar does not interfere with the appliance cable retention nuts or wires.

14. SPILLAGE & FLAME SUPERVISION CHECKS

14.1 Check for spillage.

A spillage check must be made before leaving the installed appliance with the customer. Make this with all the ceramic fuel effect pieces in position.

1. Close all doors and windows in the room containing the appliance.
2. Light the appliance and turn the control knob to "HIGH".
3. Leave the appliance on for five minutes.
4. Place the smoke match into the appliance canopy (See figure 34).
5. The installation is satisfactory if the smoke is drawn into the appliance. If the smoke is not drawn into the appliance, leave the appliance alight at the maximum setting for a further ten minutes and then repeat the test. If smoke is still not drawn into the appliance, inspect the sealing to the fireplace surround. If the sealing is satisfactory but the appliance is installed with the flue restrictor (See section 8.2), remove the restrictor, reseal the appliance and retest. If smoke is still not drawn into the appliance, **disconnect the appliance and seek expert advice.**



6. If the above test is satisfactory, open all internal connecting doors, hatches, etc., in the room. Keep all doors and windows that open to the outside of the building closed. Recheck for spillage as above. If an extractor fan is installed in the same room as the appliance or a connecting room, check that spillage does not occur with the fan operating and all doors and other openings between the fan and the appliance open. If the smoke is drawn into the appliance, continue with the installation. If the test is not satisfactory, **disconnect the appliance and advise the customer of the cause of failure.**

14.2 Flame supervision and spillage monitoring system.

The pilot unit incorporates a system that will automatically shut off the gas supply if the pilot flame goes out or if there is insufficient oxygen due to spillage or lack of ventilation.

Check that the system operates properly as follows;

1. Light the appliance. Set the slide control to the maximum burning position and leave for one minute.

INSTALLER GUIDE

2. Set the control to the Low burning position. Isolate the gas supply at the inlet 'T' connector. The pilot and main burner will go out. **Note the time when the pilot goes out.** Listen for a snap sound at the gas tap. **Note the time when the sound is heard.** This sound is caused by an electromagnetic valve shutting off the gas supply through the tap. The valve is located in the body of the tap. The valve should operate **within 60 seconds of the pilot going out.** If the valve does not operate within this time limit do not allow the appliance to be used until the fault has been corrected. **This monitoring system must not be adjusted, bypassed or put out of operation.**

This monitoring system, or any of its parts, must only be exchanged using authorised parts.

3. Open the isolating valve on the inlet 'T' connector. Screw on the end cap and test for leaks.

4. Set the slider to the "Off" ("O") position.

15. FINAL REVIEW

1. **COMPLETE THE INFORMATION IN THE WARRANTY AND SERVICE SECTION OF THE OWNER GUIDE (See last pages of the OWNER guide).**

2. Visually inspect the appliance. Clean off any marks incurred during installation.

Metal Parts

- Clean the metal parts with a slightly damp lint free non-abrasive cloth and then dry.
 - Do not use abrasive cleaners as these will scratch the fire surface.
 - **Chic, Envy and Westminster fascia** - Clean the metal parts with a slightly damp cloth and then dry. If this does not work apply a very small amount of 'baby oil' to a lint free non-abrasive cloth and wipe over the surface. Use a clean cloth to wipe off the oil.
3. Advise the customer how to operate the fire.
4. Explain to the customer that the appliance has a flame failure and spillage monitoring system. Point out the explanation of this system shown in the owner guide. Advise that if the fire goes out for any reason, wait at least three minutes before relighting. Stress that if the monitoring system repeatedly shuts off the fire, the appliance should be switched off and a specialist should be consulted. Point out that the lighting instruction details are on a information label attached at the bottom of the appliance.
5. Advise that the fire may give off a slight odour while new. This is quite normal and it will disappear after a short period of use.
6. Advise that any cleaning must only be carried out when the fire is off and cold.
7. Advise the customer that they should read the Owner guide before operating the fire and always follow the advice in the section headed "Cleaning your fire".
8. Advise the customer that the appliance will operate to its maximum potential if the flue is primed during the first 20 – 30 minutes of use. To do this, simply turn the control to its highest setting. This will also burn off any carbon deposits that may have

INSTALLER GUIDE

formed during previous use.

If using the appliance for long periods it is beneficial to change between settings. This will also help to remove any carbon deposits that may form during use.

9. Recommend that the appliance should be serviced and the chimney inspected by a competent person (In the UK a CORGI registered person) at least annually.

If the appliance is in premises in the United Kingdom occupied by a tenant, point out that by law a landlord must have any gas appliance, flue and pipework which is situated in a tenant's premises checked for safety at least every 12 months.

10. Advise the customer that the fascia, hotbox and ceramic pieces can be cleaned as described in the owner guide and that the loose ceramic fuel effect pieces must be replaced as described in those instructions.

Stress that no extra ceramic fuel effect pieces must be added over and above those supplied with the appliance and that any replacements must only be the authorised spares. Warn that ignoring this advice could cause incomplete clearance of the products of combustion with consequent health hazards.

11. Inform the customer that the Serial number for the appliance is located on the information label, located behind the firefront casting / lower hanging trim / fascia and underneath the burner.

12. Inform the customer how to access the igniter block and battery.

13. Hand the literature pack with this guide to the customer.

16. SERVICING & PARTS REPLACEMENT

Always turn off the gas supply and allow the appliance to cool completely before commencing any servicing (The appliance inlet "T" connector incorporates an isolating valve).

It is recommended that, at least once a year, the appliance is disconnected and the fireplace opening checked and cleared of any debris.

This product uses fuel effect pieces and a burner compartment rear wall containing Refractory Ceramic Fibres (RCF), which are man-made vitreous silicate fibres. Excessive exposure to these materials may cause irritation to eyes, skin and respiratory tract. Consequently, it is important to take care when handling these articles to ensure that the release of dust is kept to a minimum. To ensure that the release of fibres from these RCF articles is kept to a minimum, during installation and servicing we recommend that you use a HEPA filtered vacuum to remove any dust and soot accumulated in and around the fire before and after working on the fire. When replacing these articles we recommend that the replaced items are not broken up, but are sealed within a heavy duty polythene bag, clearly labelled as RCF waste. RCF waste is classed as a stable, non-reactive hazardous waste and may be disposed at a landfill licensed to accept such waste. Protective clothing is not required when handling these articles, but we recommend you follow the normal hygiene rules of not smoking, eating or drinking in the work area and always wash your hands before eating or drinking.

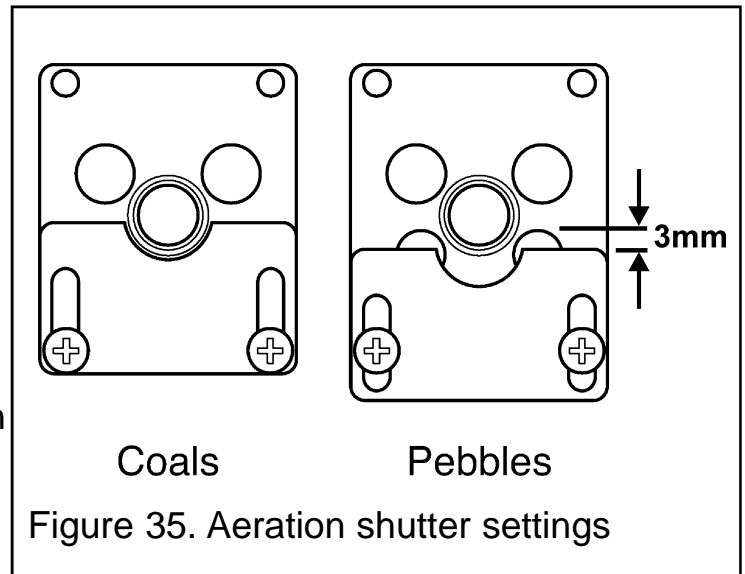
INSTALLER GUIDE

- Check that the appliance is clean and that soot or debris is not blocking the gaps between the ceramic fuel effect pieces causing an imperfect flame.
- Check that soot or debris is not impairing the electrode spark or pilot burner.
- Check that soot or debris is not blocking any of the holes in the main burner.
- After servicing, make sure that the ceramic fuel effect pieces are replaced correctly as described in the installer and owner guide supplied with the ceramic fuel effect. The ceramic fuel effect guide should be placed inside or attached to this guide.
- **Always test for gas soundness and spillage after servicing the appliance.**

16.1 Checking the aeration setting of the burner.

1. The aeration shutter is factory set for use with a **'pebble'** ceramic fuel effect. It is important to ensure that the aeration setting is correct for the ceramic fuel effect used. Check the aeration shutter setting even if fitting the 'pebble' fuel effect (See figure 35).

2. To adjust the aeration setting to suit the fuel effect used, loosen the two aeration shutter screws, slide the aeration shutter to the desired position and tighten the fixing screws.



16.2 To remove the ignition microswitch.

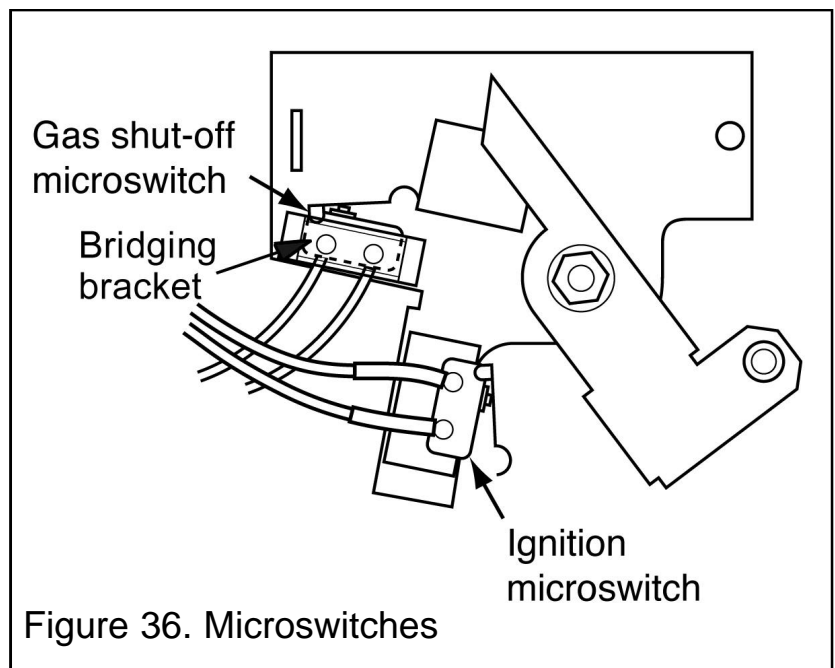
1. Remove the bottom front cover and the front cover casting.

2. Disconnect the leads from the ignition microswitch (The lower of the two microswitches - See figure 36).

3. Detach the microswitch and insulation pad by removing two screws.

4. Replace in the reverse order.

5. Check that the microswitch operates correctly by fully closing it and observing that there are sparks at the pilot electrode.

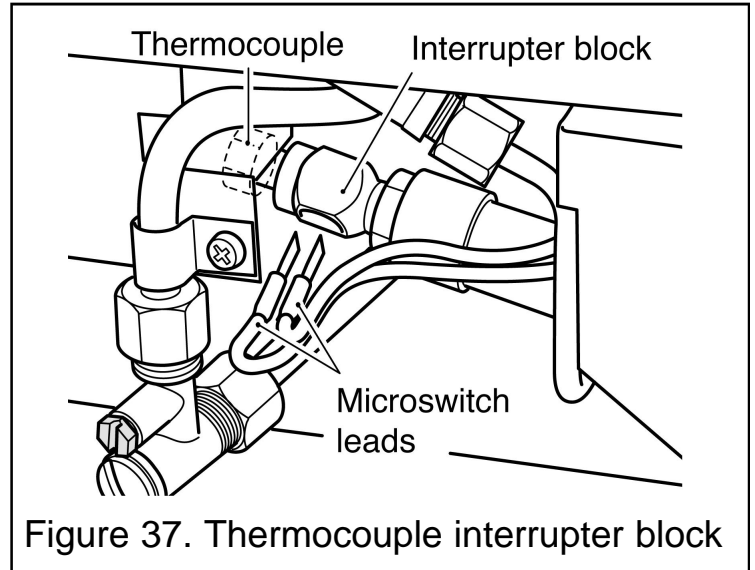


INSTALLER GUIDE

16.3 To remove the gas shut-off microswitch.

(See figures 36 & 37).

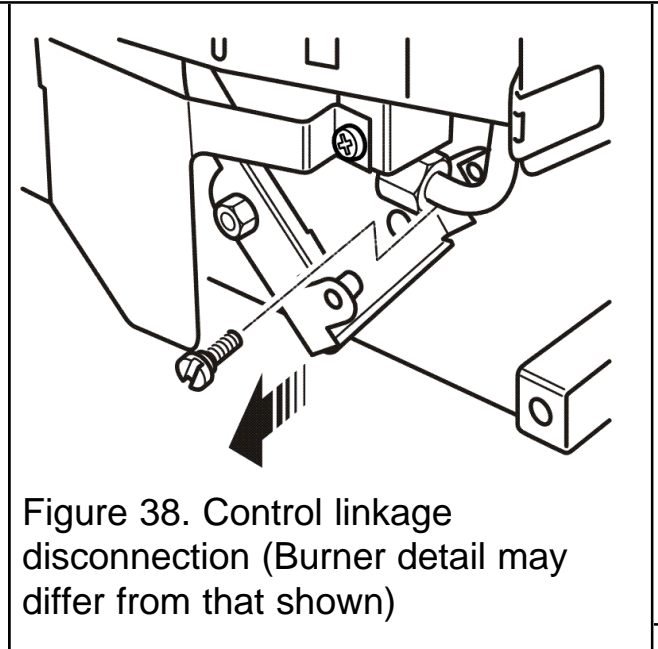
1. Remove the bottom front cover or fire front casting.
2. Loosen the thermocouple nut to free the microswitch leads and pull the leads clear of the thermocouple interrupter block (See figure 37).
4. Detach the bridging bracket, microswitch assembly by removing two screws (See figure 36).
5. Replace in the reverse order. When refitting the leads to the interrupter block, make sure that they are secured firmly to give a good electrical contact.



16.4 To remove the fascia

16.4.1 All models except Brooklyn and Moonlight.

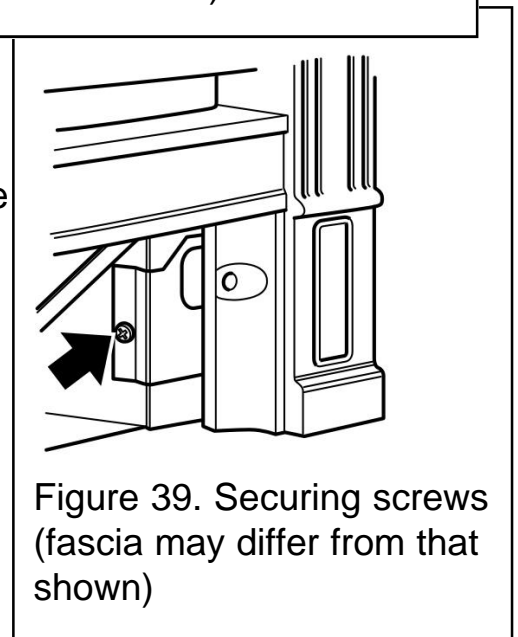
1. Remove the bottom front cover or fire front casting.
2. Detach the control-linking bar from the control pivot bracket by removing the knurled screw, which joins the control linking bar to the control pivot unit (See figure 38).
3. Remove the two screws securing the bottom of the fascia to the sides of the hotbox (See figure 39).



4. **Make sure that the control linking bar has been detached (See point 2).** Carefully lift the fascia unit upward to clear the upper retaining brackets on the hotbox (See figure 40). Pull the fascia clear and place carefully aside.
5. Refit in the reverse order. Make sure that the fascia is properly located over the upper retaining brackets. See section 11 of this manual for detailed fitting instructions.

16.4.2 To remove the fascia on Brooklyn and Moonlight models.

1. The bottom of the fascia is held in place with magnets. Hold the lower outside edges of the fascia and gently pull forward. With the bottom released, lift the fascia upward and clear of the upper hanging brackets on the hotbox.



INSTALLER GUIDE

16.5 To replace the slider control button.

16.5.1 All models except Brooklyn and Moonlight.

1. Remove the fascia (See section 16.4)
2. Detach the slider control from the fascia by removing two screws (See figure 41).
3. Detach the control slide button from the slider control by removing two screws (See figure 42).
4. Replace in the reverse order.

16.5.2 Brooklyn and Moonlight models.

1. Remove the fascia (See section 16.4)
2. Detach the control slide button from the slider control by removing two screws (See figure 42).
3. Replace in the reverse order.

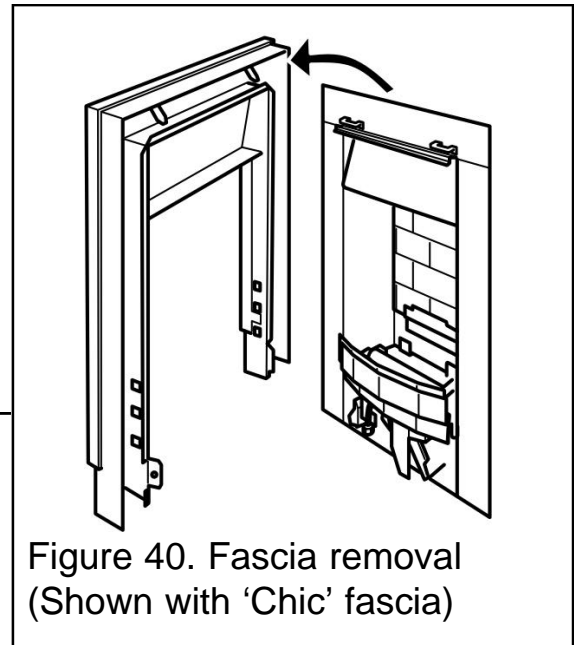


Figure 40. Fascia removal (Shown with 'Chic' fascia)

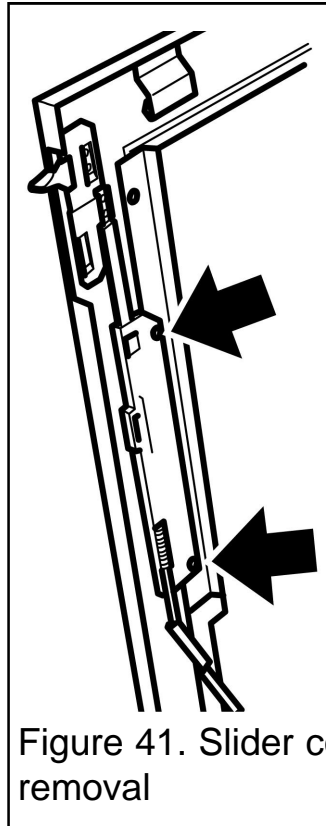


Figure 41. Slider control removal

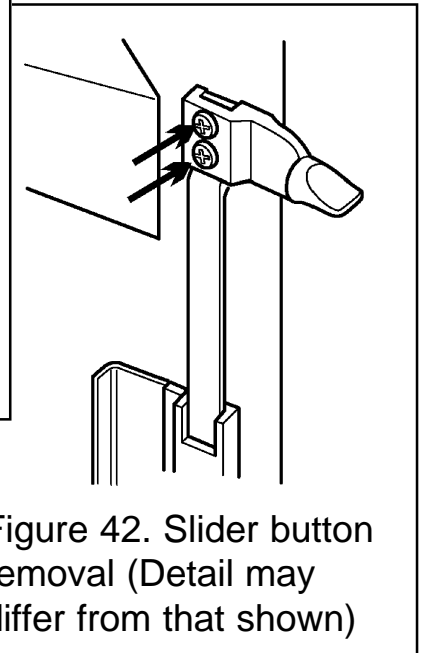


Figure 42. Slider button removal (Detail may differ from that shown)

INSTALLER GUIDE

16.6 To remove the burner unit.

1. Remove the fascia (See section 16.4).
2. Remove the ceramic fuel effect pieces.
3. Support the inlet 'T' connector to avoid straining the pipework and disconnect the appliance from the 'T' connector.
4. Detach the burner unit from the hotbox by removing two screws (See figure 43).
5. Replace in the reverse order.

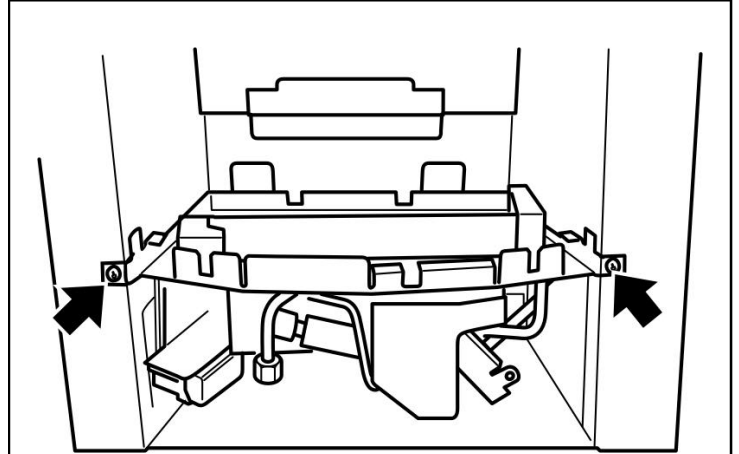


Figure 43. Burner attachment points (Burner detail may differ from that shown)

16.7 To remove the electronic ignition generator.

1. Remove the burner unit (See section 16.6)
2. Remove the battery.
3. Remove the spark lead and microswitch leads remembering to make note of their positions.
4. Unscrew the two fixing screws that attach the generator unit to the support bracket. The igniter generator can now be removed (See figure 44). Between the igniter and the bracket are two spacer washers that must be kept.
5. Replace the generator ensuring that the spacer washers are replaced.
6. Refit in the reverse order.

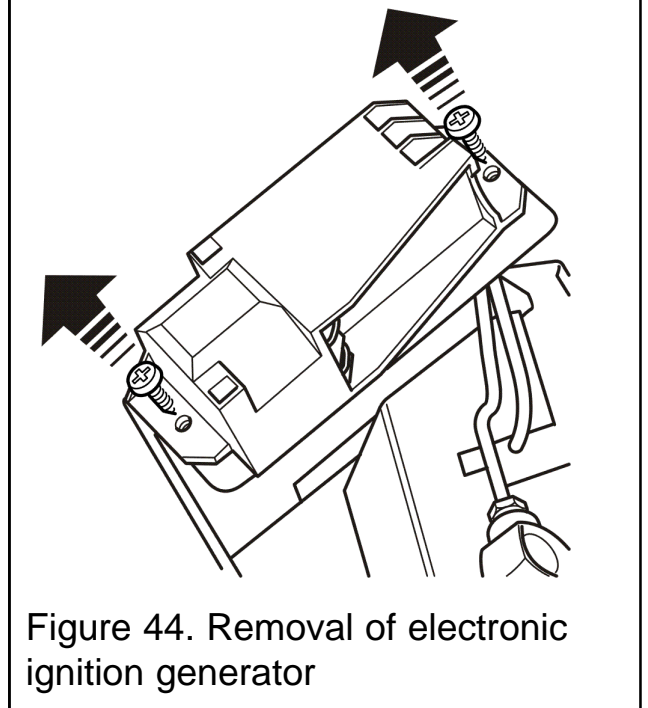


Figure 44. Removal of electronic ignition generator

16.8 To remove the thermocouple interrupter block.

(See figure 37).

1. Remove the burner unit (See section 16.6).
2. Detach the thermocouple from the interrupter block by unscrewing the thermocouple nut.
3. Detach the two microswitch leads from the interrupter block.
4. Remove the interrupter block by unscrewing from the gas shut-off tap.
5. Refit in the reverse order. If the microswitch leads cannot be easily attached to the interrupter block when it is fully tightened to the gas shut-off tap, slacken it and rotate to allow the leads to be fitted. Retighten making sure that the leads remain in place in the interrupter block. Fit and tighten the thermocouple nut making sure that the leads are secured in the interrupter block to give a good electrical contact.

INSTALLER GUIDE

16.9 To remove the pilot unit.

1. Remove the burner unit (See section 16.6).
2. Detach the pilot pipe from the pilot unit.
3. Detach the thermocouple from the interrupter block by unscrewing the thermocouple nut.
4. Detach the electrode lead from the underside of the electrode tab.
6. Remove the two screws securing the pilot unit (See figure 45).
7. Refit in the reverse order.

Note:

1. The pilot unit is an atmosphere sensing device. It must be replaced as a whole assembly. Its individual components are not separately replaceable.

2. When the thermocouple is removed from the interrupter block, the microswitch lead terminals in the interrupter block will be loose. Make sure that they are properly secured to give a good electrical contact when retightening the thermocouple nut.

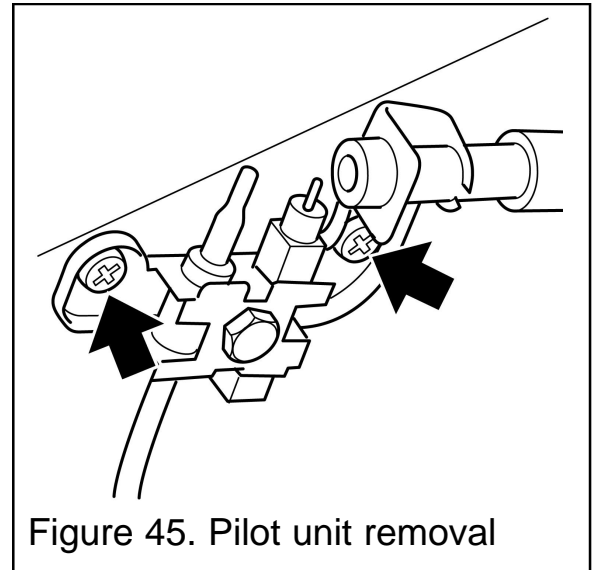


Figure 45. Pilot unit removal

16.10 To remove the shut-off tap.

(See figure 46).

1. Remove the burner unit (See section 16.6).
2. If lying the burner on its back, ensure that the work surface is suitably protected. This will avoid damage to the work surface. Turn the burner unit upside down. Detach the thermocouple and interrupter block from the tap (See section 16.8 paragraphs 2 - 4).
3. Detach the pilot pipe from the tap.
4. Detach the inlet pipe.
5. Remove the hexagonal nut securing the tap to the mounting bracket.
6. Detach the elbow by unfastening the hexagonal nut connecting it to the flow rate controller. Lift the tap (complete with elbow) clear.
7. Loosen the hexagonal locknut securing the elbow to the tap. Remove the elbow by rotating it.
8. If fitting a new tap, remove the hexagonal nut at the mounting bracket end of the old tap and fit to the replacement tap. Refit in the reverse order. When refitting, make sure that the tap spindle is in the correct

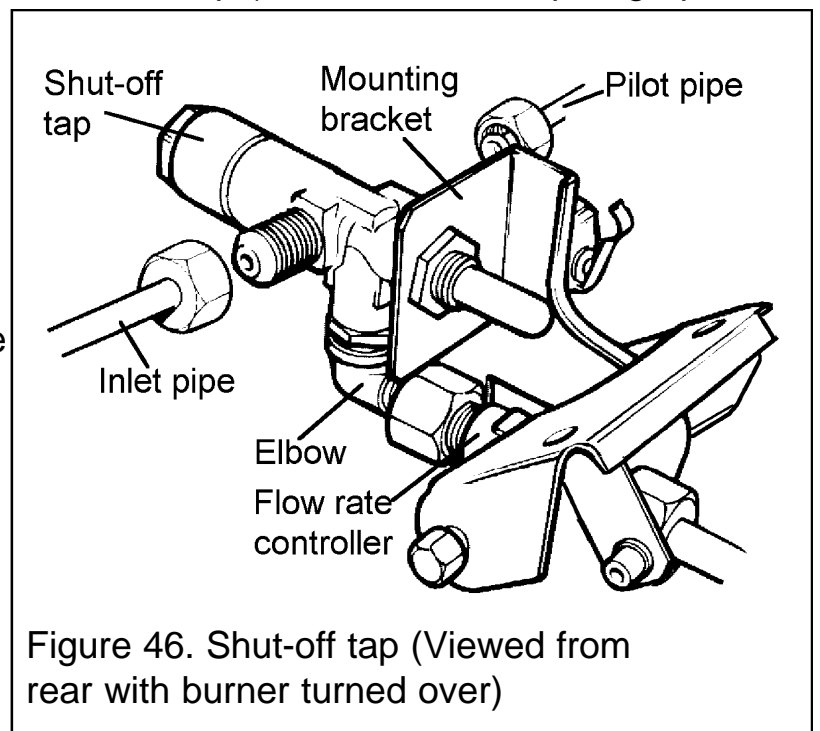


Figure 46. Shut-off tap (Viewed from rear with burner turned over)

INSTALLER GUIDE

relationship relative to the control pivot bracket. Rotate the pivot bracket fully clockwise. The tap spindle should “bottom out” (i.e. the tap should be fully open) after the pivot bracket has actuated the ignition microswitch but before it has pushed the microswitch leaf against the microswitch body.

When refitting the thermocouple and interrupter block, make sure that the microswitch wires are properly secured to give a good electrical contact.

16.11 To remove the gas flow rate controller.

(See figure 47).

1. Remove the burner unit (See section 16.6).
2. If lying the burner on its back, ensure that the work surface is suitably protected. This will avoid damage to the work surface.
3. Detach the shut-off tap as detailed in section 16.10 paragraphs 2-6.
4. Detach the burner pipe from the controller. Support the controller while detaching to prevent excessive strain.
5. Remove the nut and washer securing the control pivot bracket to the controller at the front. Support the pivot bracket while removing the nut to prevent possible damage to the microswitch.
6. Remove the hexagonal bolt securing the control pivot bracket to the controller at the rear.
7. Detach the control pivot bracket.
8. Remove the hexagonal nut securing the controller to the front mounting bracket and remove the flow rate controller.
9. Refit in the reverse order.

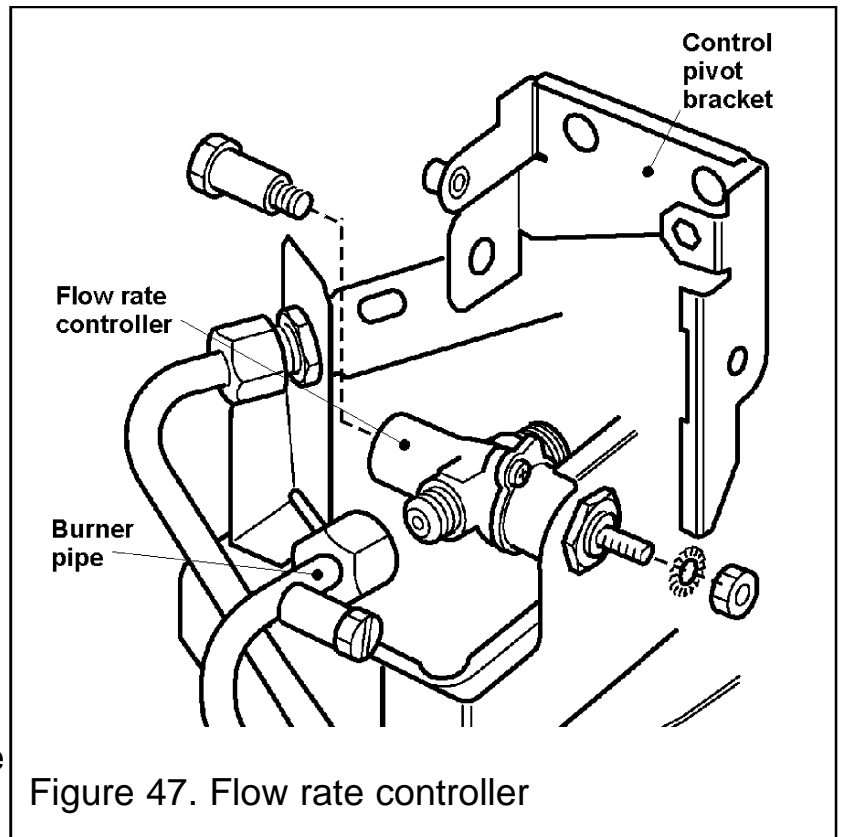


Figure 47. Flow rate controller

INSTALLER GUIDE

16.12 To replace the burner.

(See figure 48).

1. Remove the burner unit (See section 16.6).
2. Support the elbow injector and unscrew the injector nut.
3. Remove the two screws from the burner clamping plate (See figure 48).
4. Lift the right hand side of the burner, slide it to the right and lift clear
5. Refit in reverse order.

16.13 To remove the main burner injector.

(See figure 49).

1. Remove the burner (See section 16.12).
2. Remove the burner clamping screw (See figure 4).
3. Unscrew the injector from the burner
4. Refit in the reverse order.

16.14 To remove the appliance from the fireplace.

1. Remove the burner unit (See section 16.6).
2. (See section 9 of this guide), slacken the hexagonal adjusters on the cable retainers and unscrew the thumbscrews to release the cables.
3. Refit as described in the relevant installation sections. Make sure gas soundness, sealing, spillage test and performance are satisfactory.

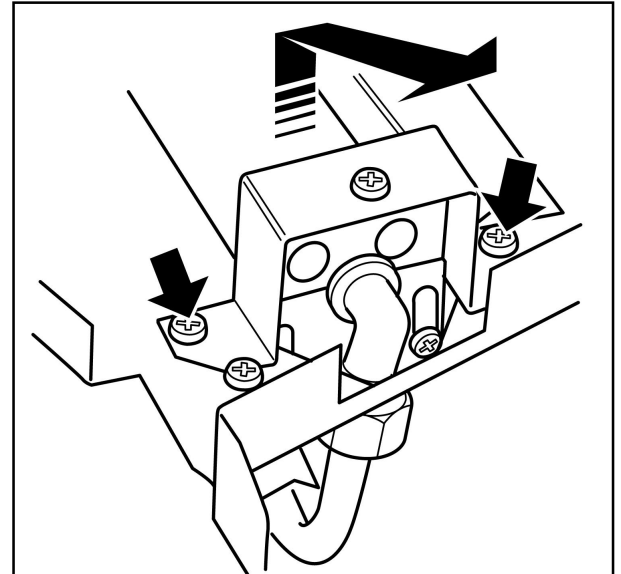


Figure 48. Removal of burner

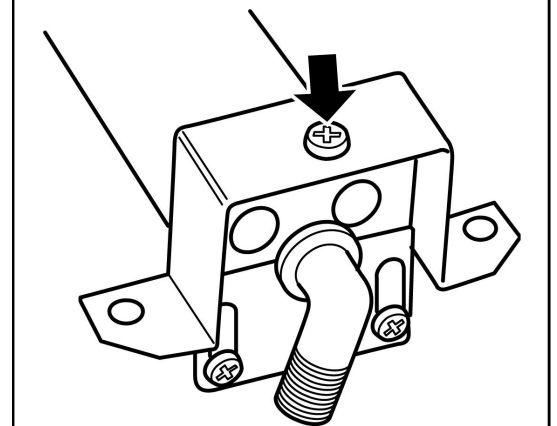


Figure 49. Main burner injector removal

OWNER GUIDE

FOR WARRANTY AND SERVICE INFORMATION
SEE PAGES 56 TO 60

OWNER GUIDE

LIST OF CONTENTS

<u>Section</u>	<u>Page</u>
SAFETY	47
GAS CONSUMPTION	48
APPLIANCE DIMENSIONS	49
OPERATING YOUR FIRE	50
The Oxysafe flame sensing & flue blockage safety system.	50
Lighting the pilot.	50
Lighting with a taper.	51
CLEANING YOUR FIRE	52
Metal parts.	52
Ceramic fuel effect and rear wall.	52
Burner.	52
CERAMIC FUEL EFFECT FITTING	53
MAINTENANCE	53
Battery replacement.	53
Regular maintenance.	54
Replacement ceramics.	54
USEFUL TELEPHONE NUMBERS	55
WARRANTY AND SERVICE	56

This gas fire is designed to meet the most stringent quality, performance and safety requirements to provide you with many years' trouble-free service.

This guide aims to improve your understanding and appreciation of your gas fire by providing simple and informative instructions to ensure that you benefit from the excellent performance and features it has to offer.

OWNER GUIDE

SAFETY

IF YOU SMELL GAS

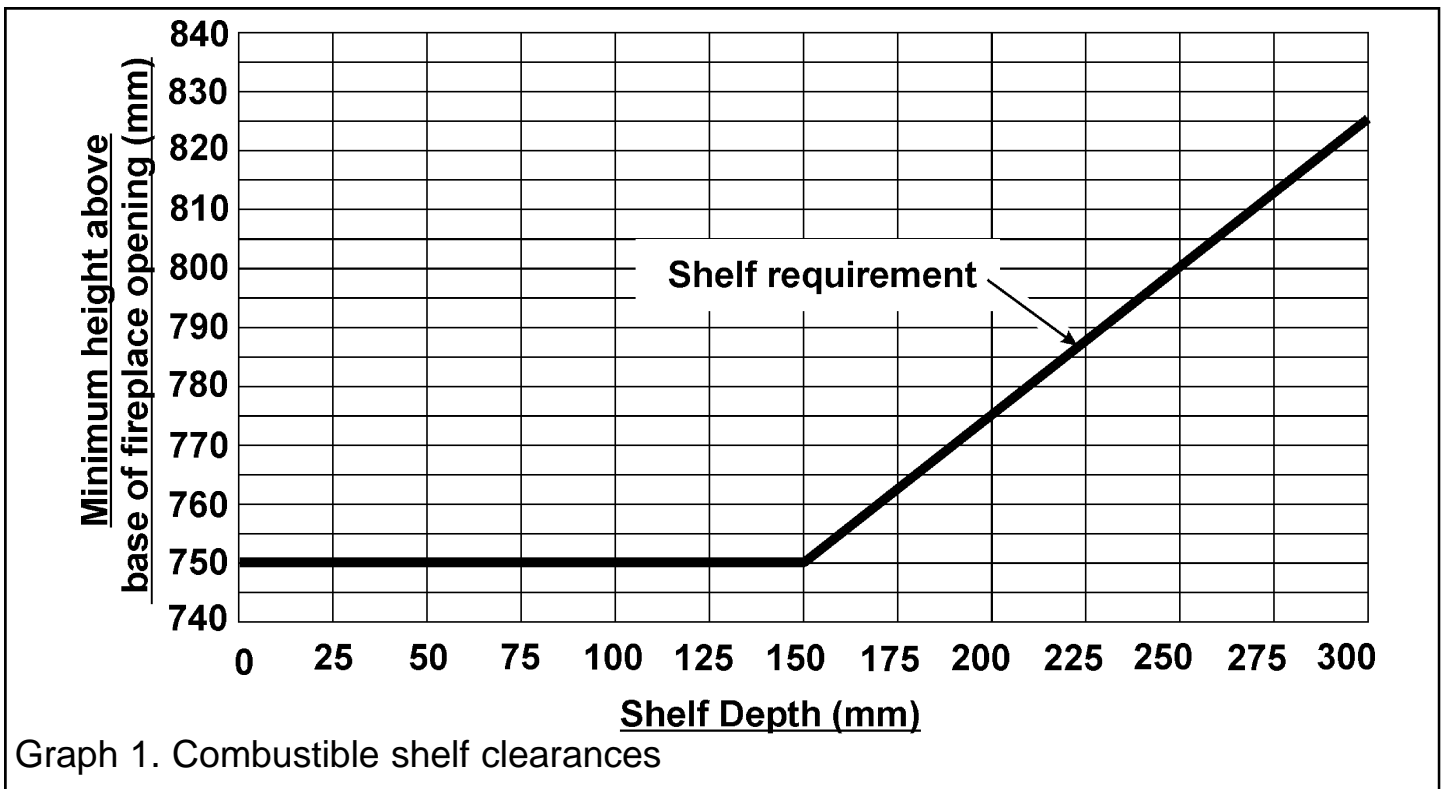
- **DON'T SMOKE.**
- **EXTINGUISH ALL NAKED FLAMES.**
- **DON'T TURN ELECTRICAL SWITCHES ON OR OFF.**
- **TURN OFF THE GAS SUPPLY AT THE METER.**
- **OPEN DOORS AND WINDOWS TO GET RID OF THE GAS.**
- **IMMEDIATELY CALL THE GAS EMERGENCY SERVICE FROM A NEIGHBOURS PHONE - SEE YOUR LOCAL TELEPHONE DIRECTORY.**

Do have the fire installed by a competent person. In the United Kingdom, installation must be in accordance with the latest edition of the Gas Safety (installation & use) Regulations. In the Republic of Ireland, installation must be in accordance with all national and local regulations in force.

Do have the chimney swept prior to installation if it was previously used for solid fuel.

Do have the fire installed in accordance with the installer guide.

Do provide a minimum clearance of 750mm from the base of the fireplace opening to any shelf made of wood or other combustible material where the shelf is not more than 150mm deep. For a shelf deeper than 150mm, add 12.5mm to the clearance for every 25mm of additional shelf depth (See graph1).



OWNER GUIDE

Do always use a fireguard complying with BS 8423 for the protection of young children, the elderly or infirm.

Do wait three minutes before attempting to relight if the fire is switched off or the flames are extinguished for any reason. (Your fire is fitted with a safety device that will automatically shut off the gas supply to the fire, if for any reason, the flame goes out)

Do get advice about the suitability of any wall covering near your fire. Soft wall coverings (e.g. embossed vinyl, etc.) which have a raised pattern are easily affected by heat. They may, therefore, scorch or become discoloured when close to a heating appliance. Please bear this in mind whenever you are considering redecorating.

Do provide a minimum side clearance as detailed in figure 1. Please bear this in mind if ever you are altering the room.

Don't hang clothing, towels or any other fabrics over the fire.

Don't add any extra fuel effect pieces above the number stated in the installer and owner guide supplied with the ceramic fuel effect. The installer may have attached it to this guide or placed it inside. Adding extra fuel effect pieces could cause a safety hazard and consequent health hazards.

Don't put paper or other materials onto your fire.

Don't use the fire with damaged base ceramics.

Don't place any combustible material (rugs, carpet, plastic tiles, etc.) on the hearth

Don't attempt to clean or service the fire until it has been switched off and allowed to cool completely.

GAS CONSUMPTION

Model 954

Has a maximum natural gas input of 6.0kW (Gross)

Has a maximum natural gas output of 3.1kW

Has a minimum natural gas input of 2.7kW (Gross)

Has a minimum natural gas output of 1.4kW

Model 954 when converted using kit number 0595221

Has a maximum propane gas input of 6.1kW (Gross)

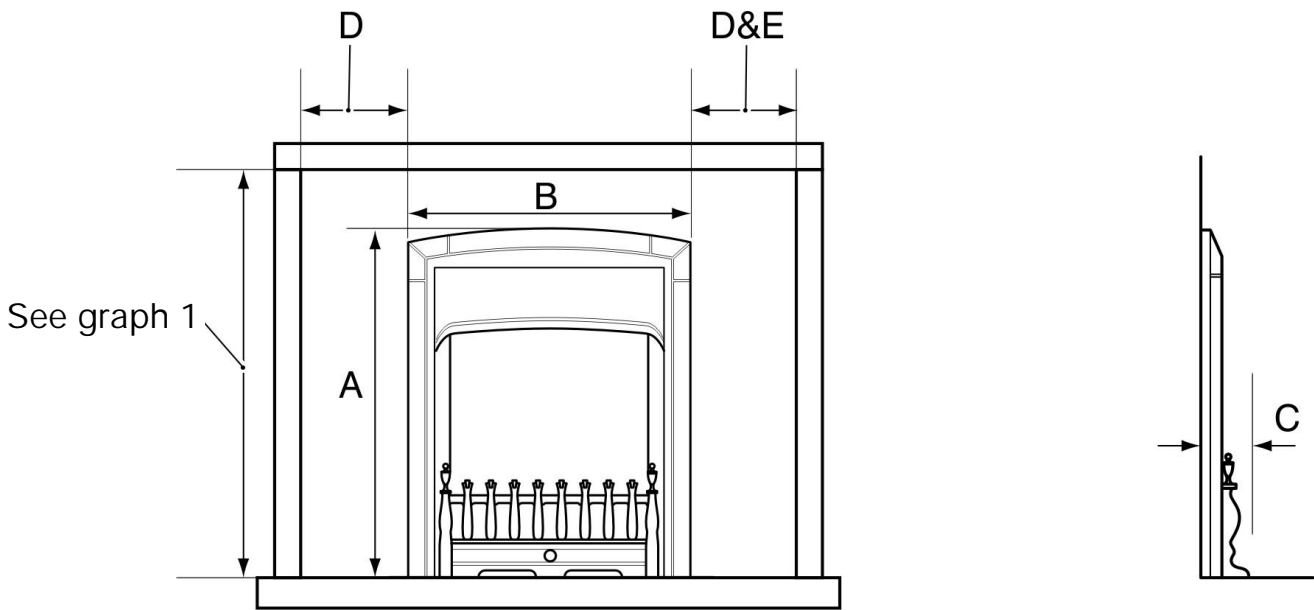
Has a maximum propane gas output of 3.3kW

Has a minimum propane gas input of 4.3kW (Gross)

Has a minimum propane gas output of 2.3kW

OWNER GUIDE

APPLIANCE DIMENSIONS



Model	Key				
	A Height (mm)	B Width (mm)	C Depth into room (mm)	D Minimum mandatory clearance to combustible surfaces projecting beyond the front of appliance (mm).	E Recommended clearance to non- combustible surfaces for access purposes (mm).
Opulent & Luxor	606	518	85	100	100
Chic & Envy	600	467	57	100	100
Heritage	638	515	51	100	100
Westminster	610	510	56	100	100
Brooklyn & Moonlight	660	660	40	100	100

Figure 1. Appliance dimensions and clearances (Fascia may differ from that shown). Dimensions are subject to manufacturing tolerance.

OWNER GUIDE

OPERATING YOUR FIRE

PLEASE NOTE

When operating your fire for the first time, some vapours may be given off which may cause a slight odour and could possibly set off any smoke alarms in the immediate vicinity. These vapours are quite normal with new appliances. They are totally harmless and will disappear after a few hours use.

The Oxysafe flame sensing & flue blockage safety system.

For your safety, this appliance is fitted with a flue blockage safety device which will shut down the appliance in the event of abnormal flue conditions. **This device is NOT a substitute for an independently mounted Carbon Monoxide detector.**

The device will also automatically shut off the gas supply to the fire if the pilot flame goes out due to lack of oxygen or for any other reason.

If this device starts to repeatedly shut off the gas, get expert advice.

This device incorporates a probe which senses that the heat from the pilot flame is correct. If this probe is cool, the device will prevent any gas flow unless the control knob is kept depressed at the "Pilot/Ign" position.

If, for any reason, the flames go out when the fire is hot or if the fire is turned off when hot, always **wait at least three minutes before attempting to relight.**

Lighting the pilot.

The control is shown in figure 2.

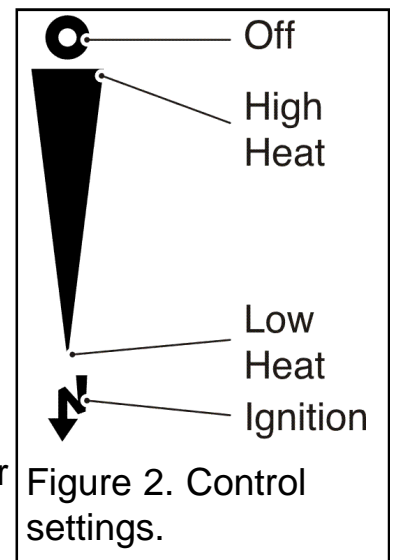
- Slide the control button to the bottom (ignition) position

marked  .

In this position, the electronic ignition system should cause a series of sparks that should light the pilot. Within four seconds of the pilot igniting, the main burner should light at its minimum setting.

If no sparks are produced to light the pilot, the battery may need replacing. Details of battery replacement are given further on in this guide. Until you can obtain a replacement battery the fire can be lit with a taper as described later in this section of the guide.

- Keep the button at the ignition position for a further ten seconds. This will prevent the flame sensing device from shutting off the gas while its probe warms up



OWNER GUIDE

as explained previously.

- If low heat is required, release the button. The button will automatically spring up to the low heat position shown in figure 2 (See note i).
- For a higher heat level slide the button upwards. The burner flames and heat output will gradually increase until the button reaches the high heat position shown in figure 2. When the button reaches the high heat position you will feel a check to its movement. Do not slide the button above the high heat position unless you want to turn the fire off (See note i).

Note

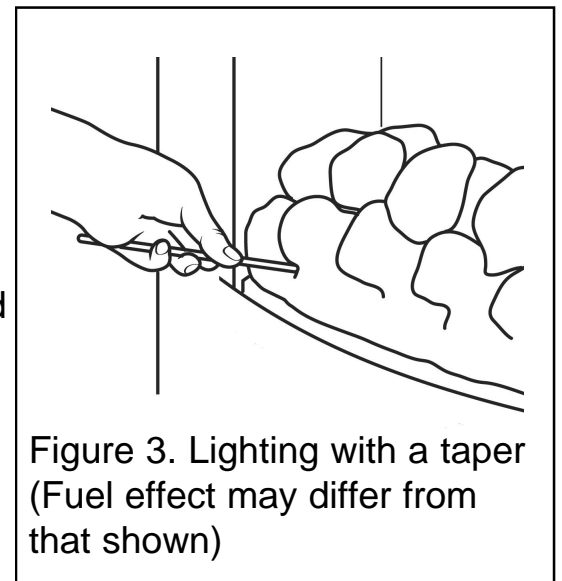
- i. If the flames go out while setting the control, repeat the full lighting procedure. If the flames repeatedly go out have the fire serviced.
- ii. When first turned on the flames will appear predominantly blue. The ceramic fuel effect will take time to warm up. Although some glow will be seen after approximately ten minutes, the full visual effect will only be apparent after a somewhat longer time.
- iii. The appliance will operate to its maximum potential if the flue is primed during the first 20 - 30 minutes of operation. To do this, simply slide the control to its highest setting. This will also burn off any carbon deposits that may have formed during previous operations.
- iv. If operating the appliance for long periods it is beneficial to change between settings. This will also help to remove any carbon deposits that may form during operation.

Lighting with a taper.

(See figure 3).

In the unlikely event of failure of the ignition spark, the pilot can be lit by a taper or long spill. Insert the taper or spill through the lower left hand opening in the front of the fuel effect bed.

- Follow the section 'Lighting the pilot' as described previously.



OWNER GUIDE

CLEANING YOUR FIRE

To maintain the high performance and quality finish of your gas fire, please follow these guidelines:

- Before attempting to clean the fire, please remember to turn off the fire and wait for the appliance to cool. The fire will retain heat for some time before cleaning can begin.
- If any pieces of debris are found in the hotbox, have the chimney inspected before further use.

Metal parts.

- Clean the metal parts with a slightly damp cloth and then dry.
- Do not use abrasive cleaners as these will scratch the fire surface.
- **Fascia** - Clean the metal parts with a slightly damp cloth and then dry. Do not use polish or abrasive materials.

'Chic', 'Envy' and 'Westminster' fascia - To remove fingerprints from the fascia apply a very small amount of 'baby oil' to a lint free, non-abrasive cloth and wipe over the surface. Use a clean cloth to wipe off the oil.

Ceramic fuel effect and rear wall.

- **This product uses fuel effect pieces and a burner compartment rear wall containing Refractory Ceramic Fibres (RCF), which are man-made vitreous silicate fibres. Excessive exposure to this material may cause irritation to eyes, skin and respiratory tract. Consequently, it is important to take care when handling these articles to ensure that the release of dust is kept to a minimum.**
- Light coatings of soot will usually be burnt off during the normal operation of the fire.
- Should any soot accumulation become excessive, the fuel effect pieces and rear wall should be removed from the fire for cleaning.
- Cleaning should be carried out in a well ventilated area or in the open air by gently brushing with the pieces held away from your face so that you avoid inhaling the dust.
- We suggest that you remove the ceramic fuel effect pieces in the reverse order to that shown in the ceramic fuel effect installer and owner guide.

Burner.

- The burner surface can be carefully cleaned to remove any loose particles after taking off the ceramic fuel effect pieces. Make sure that no particles are pushed into the burner holes.

OWNER GUIDE

CERAMIC FUEL EFFECT FITTING

The installer and owner guide for the ceramic fuel effect is separate from this guide. The installer may have attached it to this guide or placed it inside. It is important that the installer and owner guide for the ceramic fuel effect is followed correctly. If replacing the ceramic fuel effect, where a new guide is supplied, follow the installer and owner guide supplied with the replacement fuel effect.

Keep the replacement installer and owner guide with this owner guide for future reference.

MAINTENANCE

Battery replacement.

The igniter unit uses a 9V PP3 battery.

To gain access to the battery:

Luxor and Opulent models - To replace the battery remove the firefront / lower fascia section.

Chic model -To remove the lower hanging trim firmly hold the sides of the trim and gently pull forward. It is held in place with magnets.

Envy, Heritage and Westminster models - The lower hanging trim is hooked in place. To remove, hold it firmly and lift upward and forward.

Brooklyn and Moonlight models - To access the battery the fascia must be removed. To do this hold the lower sides of the fascia, pull gently forward to release the fascia from the retaining magnets and lift the fascia clear of the upper hanging brackets.

1. Remove and discard the battery from the ignition block located below the burner tray at the left side.

2. Fit the replacement battery to the igniter block (See figure 4). The positive (+ ve) and negative (- ve) terminal positions are clearly marked on the igniter block.

3. Replace the firefront / lower fascia /fascia.

Chic model -The lower section of the fascia has two tabs. Locate these into the slots in the fascia (See figure 5). It may be necessary to re-position the magnets that secure the lower section.

Envy model - Locate the lower section of the fascia onto the tabs as shown in figure 6.

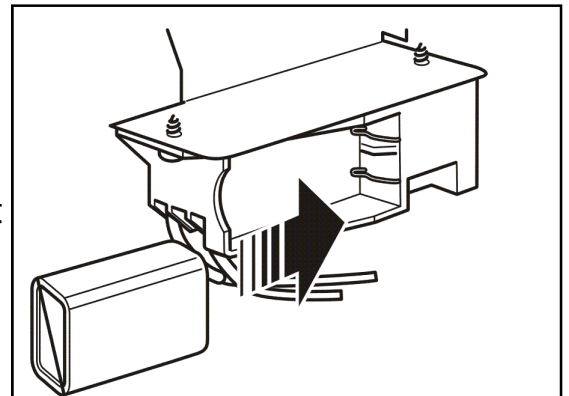


Figure 4. Fitting the battery

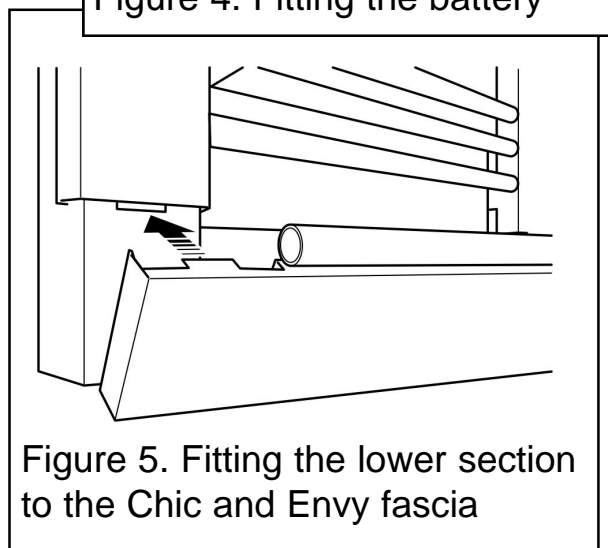


Figure 5. Fitting the lower section to the Chic and Envy fascia

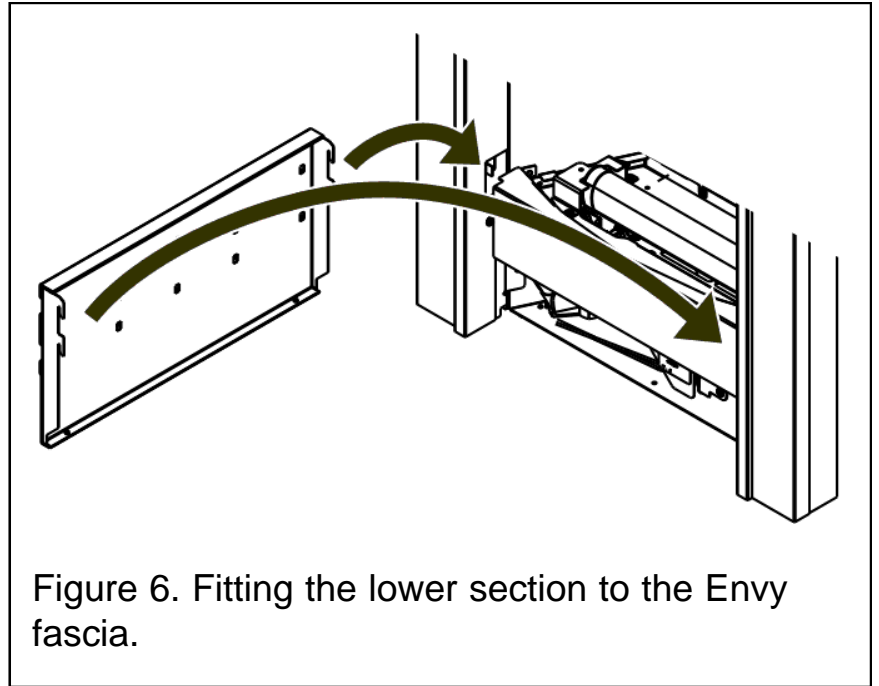


Figure 6. Fitting the lower section to the Envy fascia.

Regular maintenance.

In order to achieve and maintain high levels of personal safety and performance efficiency, it is essential that the opening at the back of the fire and the flue are kept clear of any form of obstruction. It is possible that deposits of mortar or soot could fall and accumulate causing the flue to be blocked or restricted and so preventing proper clearance of dangerous exhaust fumes.

In the United Kingdom it is the law that a landlord must have any gas appliance, flue and pipework which is situated in a tenant's premises checked for safety at least every twelve months by a competent person (In the U.K, a CORGI registered installer).

We recommend that all gas appliances and their flues, wherever situated, are checked annually.

Replacement ceramics.

If you wish to replace any of the ceramic fuel effect pieces, spare parts are available nationwide via the 'interpart stockist network'. For your local stockist consult Yellow pages under Central Heating.

- When fitting replacement parts, follow the instructions contained in this guide. It is important that only approved parts are used for maximum safety.

OWNER GUIDE

USEFUL TELEPHONE NUMBERS

General advice about gas and your gas fire:

VALOR FIRES TECHNICAL HELPLINE 08706 061 065.

To report faults or arrange for your fire to be serviced:

VALOR FIRES SERVICE 08706 090 081.

For sales or product information:

VALOR FIRES SALES 08706 061 067.

For spares inquiries

Spare parts are available nationwide via the 'interpart stockist network'. For your local stockist consult Yellow pages under 'Central Heating'.

CALLERS IN THE REPUBLIC OF IRELAND

Call 0044 8706 061 065

Standard Warranty Terms & Conditions

The warranty is for 12 months subject to contract.

In the United Kingdom servicing can be carried out either by a **heateam** service engineer or a **CORGI** registered installer.

You must register your fire with **heateam**, the service division of Baxi Heating UK Limited, either by completing and returning the registration card or calling our free telephone registration line on **0800 032 72 44**.

It is also a requirement of the warranty that the fire has an annual service (every 12 months) in accordance with the installation and servicing instructions, performed by a CORGI registered engineer. If you would like **heateam** to carry this out this service, please call on **08700 60 30 60**.

Our promise to you

If you experience a fault with your new fire, we aim to provide a safe and high quality repair service supported by our dedicated national network of highly skilled engineers. If your installer can't resolve the problem for you, we will do everything we can to get an engineer out to you as quickly as possible. Nothing in this warranty will affect your statutory rights.

What you need to do if you experience a problem with the operation of the fire:

- You should always contact your installer first, because the cause of the fault may not be related to the fire.
- If your installer confirms that the fault is with the fire and they can't repair it, our friendly customer service team is on hand to help.
- Simply call our service division **heateam** on 08706 090 081 to book an engineer visit or for any general advice that you may need. Our contact centre is open Monday to Friday 8am – 6pm, weekends and Bank Holidays 8.30am – 2pm, excluding Christmas Day and New Years day.

OWNER GUIDE

When calling **heateam**, it would be helpful if you could have the following information to hand:-

1. Fire serial number and fascia code (Located on the information label - See figure 7 on page 59).
2. Date of installation.
3. Your installer name and address details.
4. Fire make and model number.
5. Proof of purchase (if you do not have the fire serial number).

Note: details 1 – 4 should be recorded on pages 58 & 59 at the end of this guide.

What this warranty covers

Free of charge repair or replacement of components found to be of faulty manufacture.

Free of charge replacement of the complete unit providing the failure is related to a manufacturing fault that cannot be repaired or is uneconomic to repair.

What this warranty does not cover

Repairs to fires which haven't been installed and commissioned properly and as set out in the installation instructions.

Faults caused by inadequate supply of gas or electricity (where applicable).

Reimbursement of any third party repair or replacement costs that we haven't been told about or agreed with you in advance.

Compensation or consequential losses (e.g. loss of earnings, business losses, stress and inconvenience) arising from a production breakdown, including repair delays caused by factors outside our reasonable control.

OWNER GUIDE

The following pages are to be completed by the installer:

Installer Details (Block Capitals)

Installer Name	
Corgi Registration Number.	
Company Name.	
Company Address	
Company Telephone number	
Company Fax number	

OWNER GUIDE

Model

Serial number (Can be found on information label - See figure 7)

A LABEL CONTAINING THE SERIAL NUMBER MAY HAVE BEEN PLACED INSIDE THIS BOX.

Fascia name (Block Capitals)

Fascia code - Can be found on information label (Block Capitals)

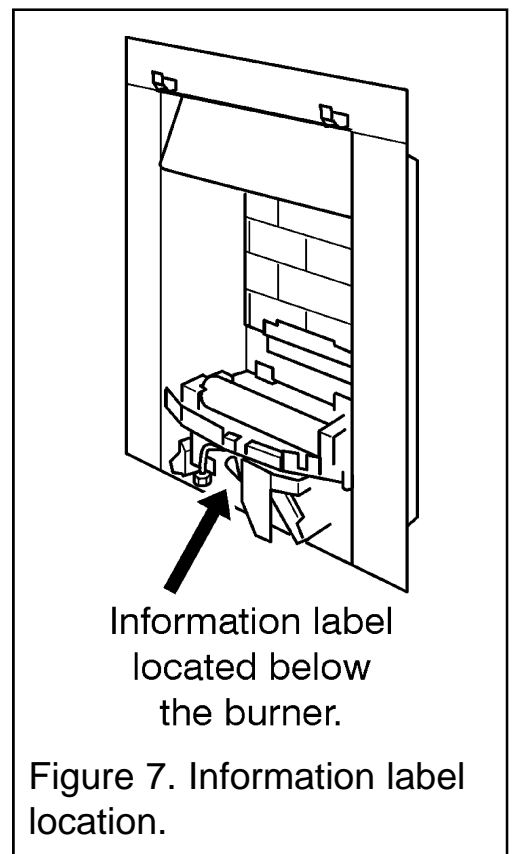
A LABEL CONTAINING THE FASCIA CODE MAY HAVE BEEN PLACED INSIDE THIS BOX.

Brand (Please tick)

Baxi
 Valor
 Wonderfire Other.....

Date of Installation

D D M M Y Y



VALOR FIRES