

BAXI FIRES DIVISION

INSTALLER GUIDE

Model 761

Inset live fuel effect gas fire

Incorporating the BAXI FIRES DIVISION **FireSlide**[®] CONTROL

Fitted with one of the following fascia

Homeflame Dream or
Homeflame Harmony.



(G.C. Number 32-264-05)

We trust that this guide gives sufficient details to enable this appliance to be installed and maintained satisfactorily. However, if further information is required, our **Baxi Fires Division Technical Helpline** will be pleased to help. Telephone **08706 061 065** (National call rates apply in the United Kingdom).

In the Republic of Ireland telephone **0044 8706 061 065**.

THIS APPLIANCE IS FOR USE WITH NATURAL GAS (G20).

THIS APPLIANCE IS SUITABLE ONLY FOR INSTALLATION IN THE UNITED KINGDOM (GB) AND THE REPUBLIC OF IRELAND (IE).

BAXI • VALOR • WONDERFIRE

INSTALLER: Please leave this guide with the owner

© Baxi Heating U.K. Limited 2006.

Page 1

INSTALLER GUIDE

© Baxi Heating U.K. Limited 2006.

All rights reserved. No part of this publication may be reproduced in any material form (including photocopying), stored in any medium by electronic means (including in any retrieval system or database) or transmitted, in any form or by any means, whether electronic, mechanical, recording or otherwise, without the prior written permission of the copyright owner.

Applications for the copyright owner's permission to reproduce any part of this publication should be made, giving details of the proposed use, to the following address: The Company Secretary, Baxi Heating UK Limited, Pentagon House, Sir Frank Whittle Road, Derby, DE21 4XA.

Warning: Any person who does any unauthorised act in relation to a copyright work may be liable to criminal prosecution and civil claims for damages.

BAXI FIRES DIVISION

Baxi Fires Division, Erdington, Birmingham B24 9QP
www.firesandstoves.co.uk

Because our policy is one of constant development and improvement, details may vary slightly from those given in this publication

Page 2

Safety First.

Baxi Fires Division fires are CE Approved and designed to meet the appropriate British Standards and Safety Marks.



Quality and Excellence.

At the heart of every Baxi Fires Division fire. All Baxi Fires Division fires are manufactured to the highest standards of quality and excellence and are manufactured under a BS EN ISO 9001 quality system accepted by the British Standards Institute.



The Highest Standards

Baxi Fires Division is a member of the Society of British Gas Industries which works to ensure high standards of safety, quality and performance.



Careful Installation

Baxi Fires Division is a CORGI registered company. All our gas fires must be installed by a competent CORGI Registered Installer in accordance with our Installer Guide and should not be fitted directly on to a carpet or floor of combustible material.

Page 3

CONTENTS

Section Heading

[1. SAFETY](#)

[2. ACCESSORIES](#)

[3. APPLIANCE DATA](#)

[4. GENERAL INSTALLATION REQUIREMENTS](#)

[5. PACK CONTENTS](#)

[6. FIREPLACE CHECK](#)

[7. IGNITION CHECK](#)

[8. GAS SUPPLY CONNECTION](#)

[9. PREPARING APPLIANCE FOR INSTALLATION](#)

[10. CONVECTION BOX INSTALLATION](#)

[11. BURNER AND SUPPLY PIPE INSTALLATION](#)

[11.3 Inlet pressure check.](#)

[12. FITTING THE CERAMIC FUEL EFFECT](#)

[13. FITTING THE GLASS PANEL](#)

[14. FULL OPERATING CHECKS](#)

[14.2 Check for spillage.](#)

[14.3 Flame supervision and spillage monitoring system.](#)

[15. OUTLET BAFFLE AND FASCIA FITTING](#)

[16. FINAL REVIEW](#)

[17. SERVICING & PARTS REPLACEMENT](#)

[17.1 Checking the aeration setting of the burner.](#)

[17.2 To remove the ignition microswitch.](#)

[17.3 To remove the gas shut-off microswitch.](#)

[17.4 To remove the fascia. Homeflame Dream model.](#)

[17.5 To replace the control slide unit.](#)

[17.6 To replace the control slide button.](#)

[17.7 To remove the glass panel.](#)

[17.8 To remove the fuel effect.](#)

[17.9 To remove the electronic ignition generator.](#)

[17.10 To remove the complete burner unit.](#)

[17.11 To remove the thermocouple interrupter block.](#)

[17.12 To remove the pilot unit.](#)

[17.13 To remove the shut-off tap.](#)

[17.14 To remove the gas flow rate controller.](#)

Page 4

1. SAFETY

Installer

Before continuing any further with the installation of this appliance please read the following guide to manual handling

- The lifting weight of this appliance is as below: -

<u>Model</u>	<u>Heat Engine (kg)</u>	<u>Firefront (kg)</u>	<u>Combined Weight (kg)</u>
Homeflame Dream	8.64	13.35	21.99
Homeflame Harmony	8.64	3.55	12.19

One person should be sufficient to lift the fire. If for any reason this weight is considered too heavy then obtain assistance.

- When lifting always keep your back straight. Bend your legs and not your back.
- Avoid twisting at the waist. It is better to reposition your feet.
- Avoid upper body/top heavy bending. Do not lean forward or sideways whilst handling the fire.
- Always grip with the palm of the hand. Do not use the tips of fingers for support.
- Always keep the fire as close to the body as possible. This will minimise the cantilever action.
- Use gloves to provide additional grip.
- Always use assistance if required.

2. ACCESSORIES

This appliance can be fitted to a conventional precast flue system system when using the 05654K1 spacer kit.

Note: When set to its minimum depth (approximately 170mm including the foam seal) the spacer frame is suitable for the shallowest of precast flues (approximately 65mm deep).

Page 5

3. APPLIANCE DATA

The efficiency of this appliance has been measured as specified in BS 7977 - 1 and the result is as below :

<u>Model</u>	<u>Efficiency % (Gross)</u>
761	80

The gross calorific value of the fuel has been used for this efficiency calculation. The test data from which it has been calculated has been certified by Advantica Certification services (0087). The efficiency value may be used in the UK Government's Standard Assessment Procedure (SAP) for energy rating of dwellings.

The conversion of **net** efficiency to **gross** was achieved by multiplying the net efficiency by the following conversion factor from Table E3 of SAP 2005, rounding down to the nearest whole number.

Gas	Conversion factor from net to gross efficiency
Natural Gas	0.901

This product uses fuel effect pieces and burner compartment walls containing Refractory Ceramic Fibres (RCF), which are man-made vitreous silicate fibres. Excessive exposure to these materials may cause irritation to eyes, skin and respiratory tract. Consequently, it is important to take care when handling these articles to ensure that the release of dust is kept to a minimum. To ensure that the release of fibres from these RCF articles is kept to a minimum, during installation and servicing we recommend that you use a HEPA filtered vacuum to remove any dust and soot accumulated in and around the fire before and after working on the fire. When replacing these articles we recommend that the replaced items are not broken up, but are sealed within a heavy duty polythene bag, clearly labelled as RCF waste. RCF waste is classed as a stable, non-reactive hazardous waste and may be disposed at a landfill licensed to accept such waste. Protective clothing is not required when handling these articles, but we recommend you follow the normal hygiene rules of not smoking, eating or drinking in the work area and always

wash your hands before eating or drinking. This appliance does not contain any component manufactured from asbestos or asbestos related products.

Page 6

Gas	Natural (G20)
Inlet Pressure	20mbar
Input - Max. (Gross)	5.00kW (17,060 Btu/h)
Input - Min. (Gross)	2.3kW (7,848 Btu/h)
Inlet Test Pressure (Cold)	20.0 ± 1.0mbar (8.0 ± 0.4in w.g.)
Gas Connection	8mm pipe
Burner Injector	Stereomatic Cat 82 - 065
Pilot & Atmosphere Sensing Device	Copreci Ref. O.D.S 21500/166
Ignition	Electronic (Battery 9V PP3)
Aeration Setting	See section 17.1

The appliance data label is located on the base of the fire underneath the burner module.

Page 7

4. GENERAL INSTALLATION REQUIREMENTS

4.1 The installation must be in accordance with these instructions.

For the user's protection, in the United Kingdom it is the law that all gas appliances are installed by competent persons in accordance with the current edition of the Gas Safety (Installation and Use) Regulations. Failure to install the appliance correctly could lead to prosecution. The Council for the Registration of Gas Installers (CORGI) requires its members to work to recognised standards.

In the United Kingdom the installation must also be in accordance with:

All the relevant parts of local regulations.

All relevant codes of practice.

The relevant parts of the current editions of the following British Standards:-

BS EN 1856 Part 1	Chimneys - Requirements for metal chimneys.
BS 715	Specification for metal flue boxes for gas-fired appliances not exceeding 20kW
BS EN 1858	Chimneys - Components - Concrete flue blocks
BS EN 1806	Chimneys - Clay / ceramic flue blocks
BS EN 1856 Part 1	Chimneys - Requirements for metal chimneys
BS 5440 Part 1	Installation of flues
BS 5440 Part 2	Installation and maintenance of flues and ventilation for gas appliances of rated input not exceeding 70 kW net (1st, 2nd 3rd family gases).
BS 6461 Part 1	Masonry chimney & flues - Installation
BS 1251	Fireplace components
BS 5871 Part 2	Installation - Inset LFE gas fires
BS 6891	Gas pipework installation
BS 8303 Parts 1,2 & 3	

In England and Wales, the current edition of the Building Regulations issued by the Department of the Environment and the Welsh Office In Scotland, the current edition of the Building Standards (Scotland) Regulations issued by the Scottish Executive.

In Northern Ireland, the current edition of the Building regulations (Northern Ireland) issued by the Department of the Environment for Northern Ireland.

In the republic of Ireland the installation must be carried out by a competent person and also conform to the relevant parts of:

- a) The current edition of IS 813 "Domestic Gas Installations"
- b) All relevant national and local rules in force.

Where no specific instructions are given, reference should be made to the relevant British Standard Code of Practice.

4.2 In the United Kingdom, as supplied, the appliance can be installed in the following situations: -

4.2.1 To a fireplace complete with surround and hearth as shown in [figure 1](#) and complying with BS1251 after removal of the fireback and sufficient material behind the fireback for a debris catchment space. The required fireplace, hearth, debris catchment area and clearance dimensions are shown in [figure 1](#).

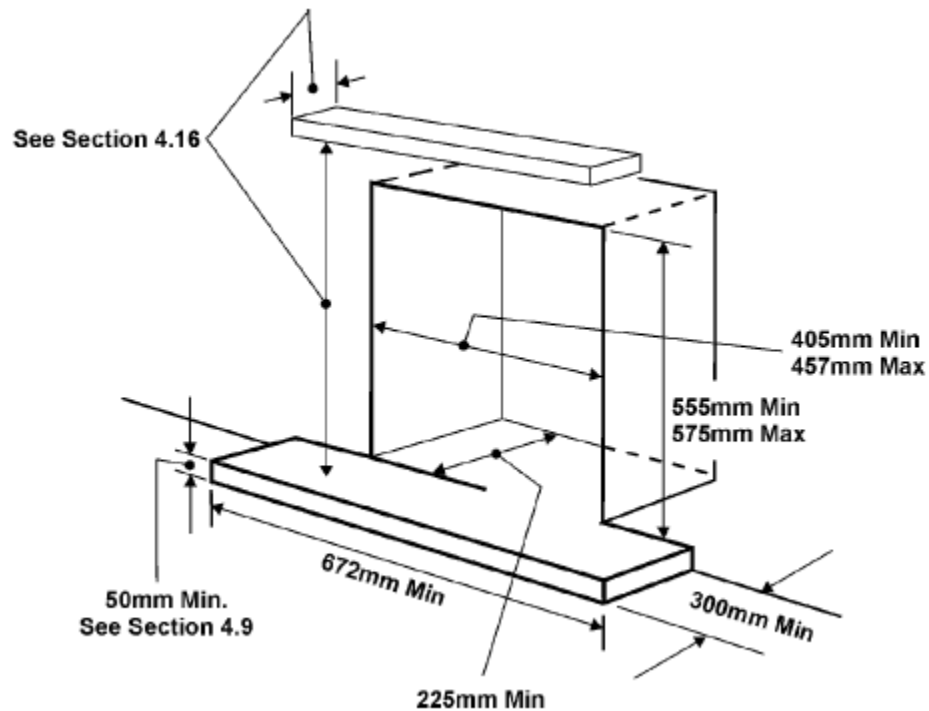


Figure 1. Hearth and fireplace opening dimensions

4.2.1.1 'Hole-in-the-wall' Installations

- It is recommended that a hearth should be installed as in [section 4.9](#).
- Homeflame Dream firefront
If a reduced depth hearth is fitted, the fire must be installed so that the distance from the base of the fireplace opening in the wall to the finished floor level is at least 100 mm. It is recommended that the reduced hearth has a depth from the fixing plane of the fire of 100mm minimum. This is necessary to support the lower front casting. Where there is no floor covering or carpet and the floor is of a type that is likely to be covered in such a way in the future then the distance from the base of the fireplace opening in the wall to the floor level should be increased to at least 175mm.
- Homeflame Harmony firefront
If a hearth is not fitted, the fire must be installed so that the distance from the base of the fireplace opening in the wall to the finished floor level is at least 100mm. Where there is

no floor covering or carpet and the floor is of a type that is likely to be covered in such a way in the future then the distance from the base of the fireplace opening in the wall to the floor level should be increased to at least 175mm.

Page 9

4.2.2 To a fireplace incorporating a metal flue box complying with the constructional requirements of the current edition of BS 715 and with a flue conforming to BS EN 1856 part 1. The dimensions of the flue box must conform to those shown in [figure 2](#).

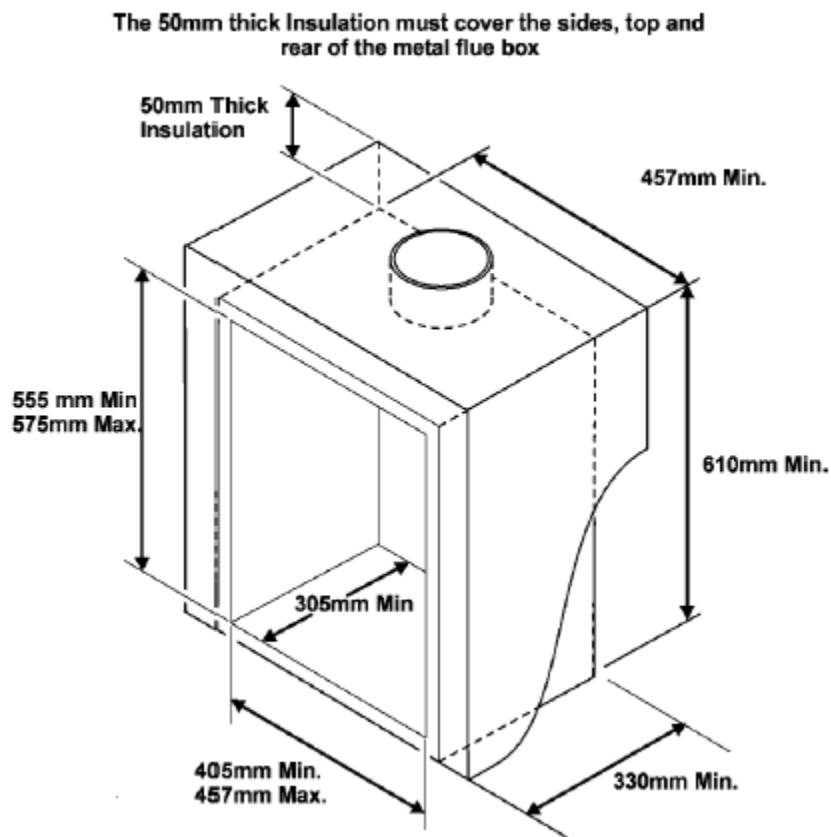


Figure 2. Metal flue box dimensions

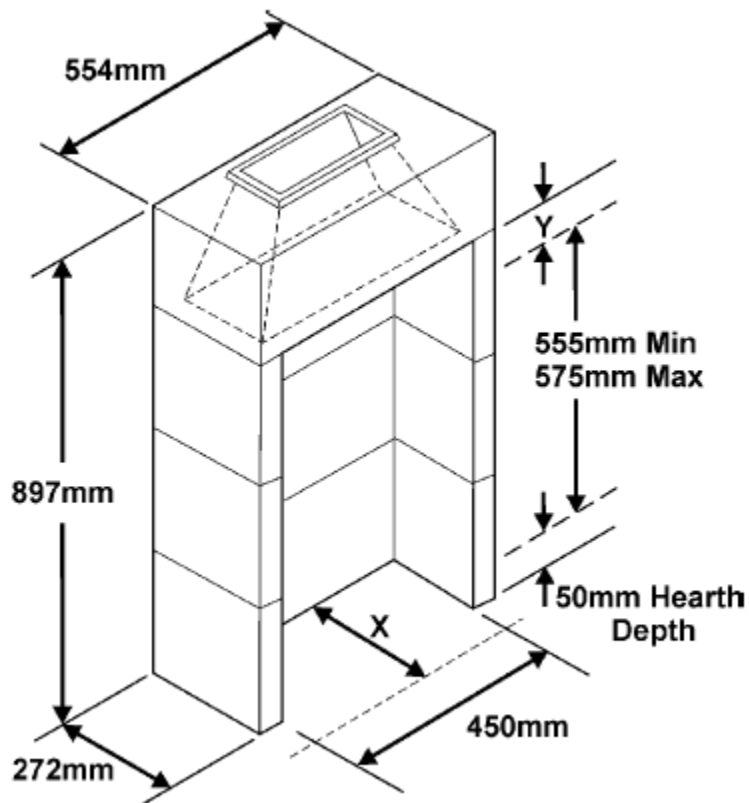
Important Note: Where the flue box has a base sheet that is single wall (i.e. a single metal sheet) the flue box must be mounted on a non-combustible hearth. The hearth material must be at least 12mm thick.

4.2.3 To a precast concrete or clay flue block system conforming to BS EN 1858 with dimensions as in [figure 3](#) (A spacer frame is available for precast flue installations that are shallower than the 225mm dimension shown in [figure 3](#) - See [section 2](#) headed 'Accessories').

BS 1289 part 1 recommends there should be an air space or insulation between the flue blocks and the plaster because heat transfer may cause cracking on directly plastered flues. However, generally this appliance is suitable for installations under all circumstances unless there is a history of cracking problems. Remember that faults such as cracking may be caused by poorly built and restrictive flues, e.g. mortar extrusions, too many bends, flue heights below three metres, restrictive terminations etc.

4.2.4 If the fireplace opening is greater than the acceptable dimensions given in this guide, do not use the back of a fire surround or marble to reduce the opening. This may cause cracking of the surround back or marble.

Page 10



Dimension 'X' to be 225mm minimum and will require a pre-cast flue having starter block depth of approximately 220mm deep plus at least 5mm of non - combustibile fireplace material (Plaster, marble, etc).

Dimension 'Y' to be made up with suitable non-combustible building material.

The standard opening height is 675mm.

Figure 3. Precast or clay flue block system

4.3 Suitable flues and minimum flue sizes are as follows: -

It should be noted that, as with many appliances, sharp bends or horizontal runs in metal flues at the top of the system can be a cause of problems in these types of installation.

- 225mm × 225mm conventional brick flue.
- 175mm diameter lined brick or stone flue.
- 200mm diameter factory made insulated flue manufactured to BS4543 Part 2.
- 175mm diameter flue pipe. See BS6461 Part 1 for suitable materials.
- Single wall, twin wall or flexible flue liner with a minimum diameter of 125mm. The materials to be used are stainless steel or aluminium as specified in BS EN 1856 Part 1. The liner must be sealed to the surrounding area above the fireplace opening and to the top of the chimney. An approved terminal must be fitted.
- A properly constructed precast concrete or clay flue system conforming to BS1289 or BS EN 1858. This system is only suitable if the conditions stated in [section 4.2.3](#) are met.

4.4 The flue must conform to BS 5440: Part 1 in design and installation.

The flue, measured from the bottom of the fireplace opening to the bottom of the terminal, shall be not less than 3m in actual vertical height. When calculated in accordance with BS 5440: Part 1 Annex A, the minimum **equivalent** height of the flue shall be 2.0m of 125mm dia. flue pipe.

4.5 The flue must not be used for any other appliance or application.

4.6 Any chimney damper or restrictor should be removed. If removal is not possible, they must be secured in the open position.

Page 11

4.7 If the appliance is intended to be installed to a chimney that was previously used for solid fuel, the flue must be swept clean prior to installation. All flues should be inspected for soundness and freedom from blockages.

4.8 If the fireplace opening is an underfloor draught type, it must be sealed to stop any draughts.

4.9 The appliance must be mounted behind a non-combustible hearth unless the conditions of [section 4.2.1.1](#) are met (N.B. conglomerate marble hearths are considered as non-combustible). The appliance can be fitted to a purpose made proprietary class "O"-150°C surround. The hearth material must be at least 12mm thick. The periphery of the hearth (or fender) should be at least 50mm above floor level to discourage the placing of carpets or rugs over it.

The surface of the hearth must be sufficiently flat to enable the bottom of the front surround and the bottom front cover to be aligned horizontally. Any excessive unevenness (uneven tiles, Cotswold stone, etc.) should be rectified.

The appliance must not stand on combustible materials or carpets.

4.10 The front face of the fireplace should be reasonably flat over the area covered by the convection box top and side flange seals to ensure good sealing. These faces should be made good if necessary. The fireplace floor should be reasonably flat to ensure that a good seal with the convection box can be made.

4.11 Note that soft wall coverings (e.g. embossed vinyl, etc.) are easily affected by heat. They may scorch or become discoloured when close to a heating appliance. Please bear this in mind when installing.

4.12 This appliance must not be installed in any room that contains a bath or shower or where steam is regularly present.

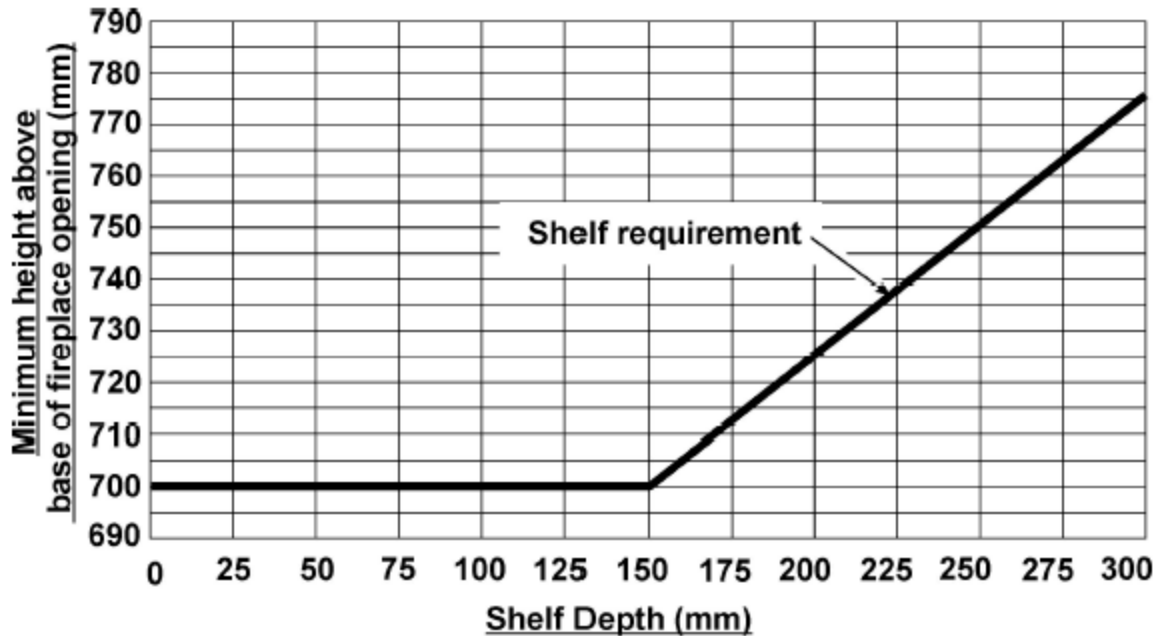
4.13 An extractor fan may only be used in the same room as this appliance, or in any area from which ventilation for the appliance is taken, if it does not affect the safe performance of the appliance. Note the spillage test requirements detailed further on in this manual. If the fan is likely to affect the appliance, the appliance must not be installed unless the fan is permanently disconnected.

4.14 Normal adventitious ventilation is usually sufficient to satisfy the ventilation requirements of this appliance. In GB reference should be made to BS 5871 Part 2 and in IE reference should be made to the current edition of IS 813 "Domestic Gas Installations" which makes clear the conditions that must be met to demonstrate that sufficient ventilation is available.

Page 12

4.15 The minimum height from the base of the fireplace opening to the underside of any shelf made from wood or other combustible materials is detailed below.

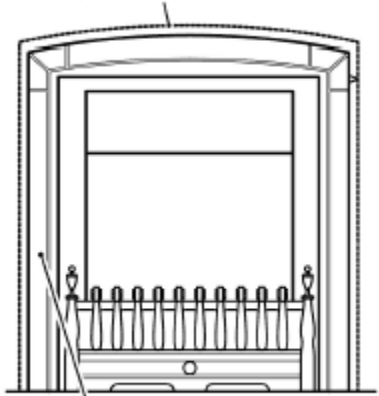
- *For a shelf up to 150mm deep:* Minimum height = 700mm.
- *For a shelf deeper than 150mm:* 700mm + 12.5mm for every 25mm depth over 150mm (See [Graph 1](#)).



Graph 1. Combustible shelf clearances

4.16 If the appliance is to be fitted against a wall with combustible cladding, the cladding must be removed from the area covered by the fascia. The cladding must also not touch the fascia (See [figure 4](#)). We suggest that the actual fascia is used as a template to mark the area for combustible cladding removal and that this area is increased by at least 2mm all round.

2mm Gap to Combustible Cladding



Use Fascia as Template

Figure 4. Removal of combustible cladding (Fascia may differ from that shown)

4.17 The appliance is fitted with an A.S.D (Atmosphere sensing device). If the appliance closes down after a period of operation for no apparent reason, the consumer should be informed to stop using the appliance until the installation and appliance have been thoroughly checked. The

A.S.D will shut the appliance down if an unacceptable amount of harmful products of combustion accumulate. Under no circumstances should the A.S.D be altered or bypassed in any way. Only a genuine manufacturers replacement part should be fitted. The individual A.S.D components are not replaceable.

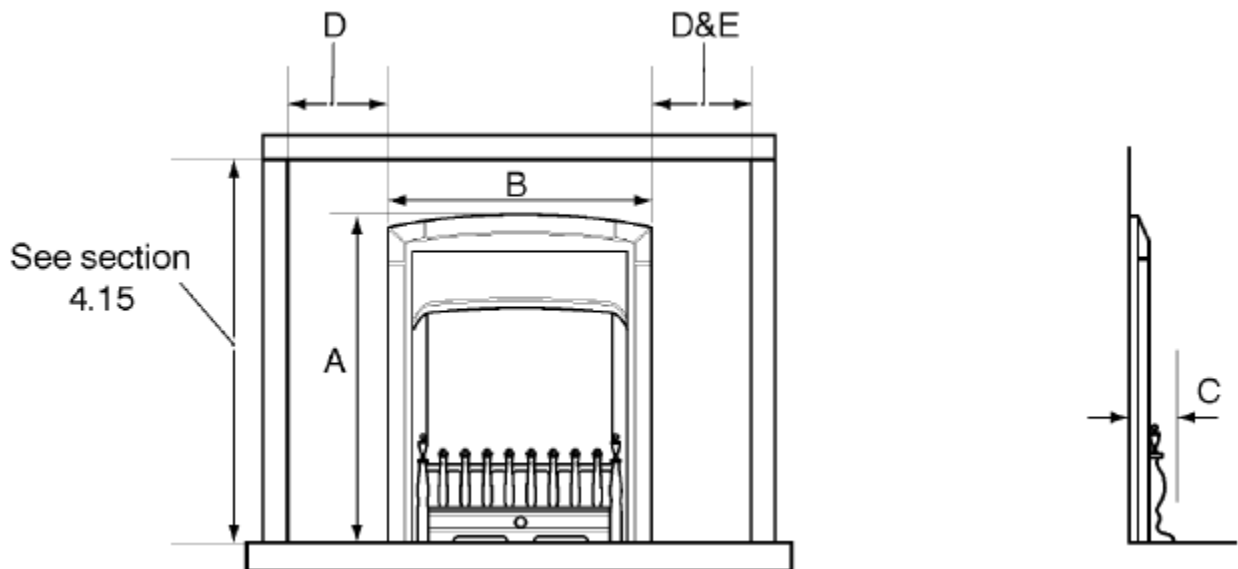
Page 13

4.18 A fireguard complying with BS 8423 should be fitted for the protection of young children, the elderly, the infirm and pet animals.

4.19 Proprietary terminals must comply with BS 715 or BS 1289. Any terminal or termination must be positioned in accordance with BS 5440 Part 1 to ensure that the products of combustion can be safely dispersed into the outside atmosphere. Where the appliance is connected to an unlined brick chimney it is generally unnecessary for the chimney pot to be replaced or for a terminal to be fitted unless the flue has a diameter smaller than 170mm.

4.20 The minimum allowable distance from the outside of the appliance fascia to a corner wall having combustible material or any other combustible surface which projects beyond the front of the appliance is shown in [figure 5](#). A 10mm access clearance from a non-combustible surface is necessary at the left side.

Page 14



Key	Description	Model

		Homeflame Dream	Homeflame Harmony
A	Height (mm)	636	631
B	Width (mm)	518	546
C	Depth into room (mm)	94	64
D	Minimum mandatory clearance to combustible surfaces projecting beyond the front of appliance (mm).	100	100
E	Recommended clearance to non-combustible surfaces for access purposes (mm).	50	50

Figure 5. Appliance dimensions and clearances (The fascia may differ from that shown and dimensions are subject to manufacturing tolerances)

Page 15

5. PACK CONTENTS

The items required for this appliance are packed in sections.

Section 1 - Fire unit contains:

- 1 Burner and convection box unit.
- 1 Burner tray trim (Homeflame Dream only).
- 1 Outlet baffle for the convected air outlet (Homeflame Dream only).
- 2 Tapping Screws for outlet baffle (Homeflame Dream only).
- 1 Nut and olive for 8mm inlet pipe.
- 1 'T' connector and pressure test point.
- 1 Flue restrictor plate.
- 3 Tapping Screws (For flue restrictor).
- 2 Small "U" seals (For convection box side flanges).
- 1 Strip of floor sealing tape.

- 6 Fibre plugs.
- 4 Woodscrews.
- 2 Fire retaining cables.
- 2 Cable clamps.
- 4 Eyebolts.
- 1 Rubber grommet (For rear of convector box).
- 2 Machine screws (For fascia hanging).
- 2 Washers for fascia hanging (Homeflame Dream only)
- 1 PP3 Battery.
- 1 Smoke match tube.
- 2 Fireback spacing brackets.
- 4 Tapping Screws (For fireback spacing brackets).
- 1 Length of self adhesive foam seal.
- 1 Literature pack.
- 1 Ceramic fuel effect set.
- 1 Firefront casting baffle (Homeflame Dream only).
- 4 Tapping screws for fascia hood (Homeflame Dream only)
- 1 Slider control position label

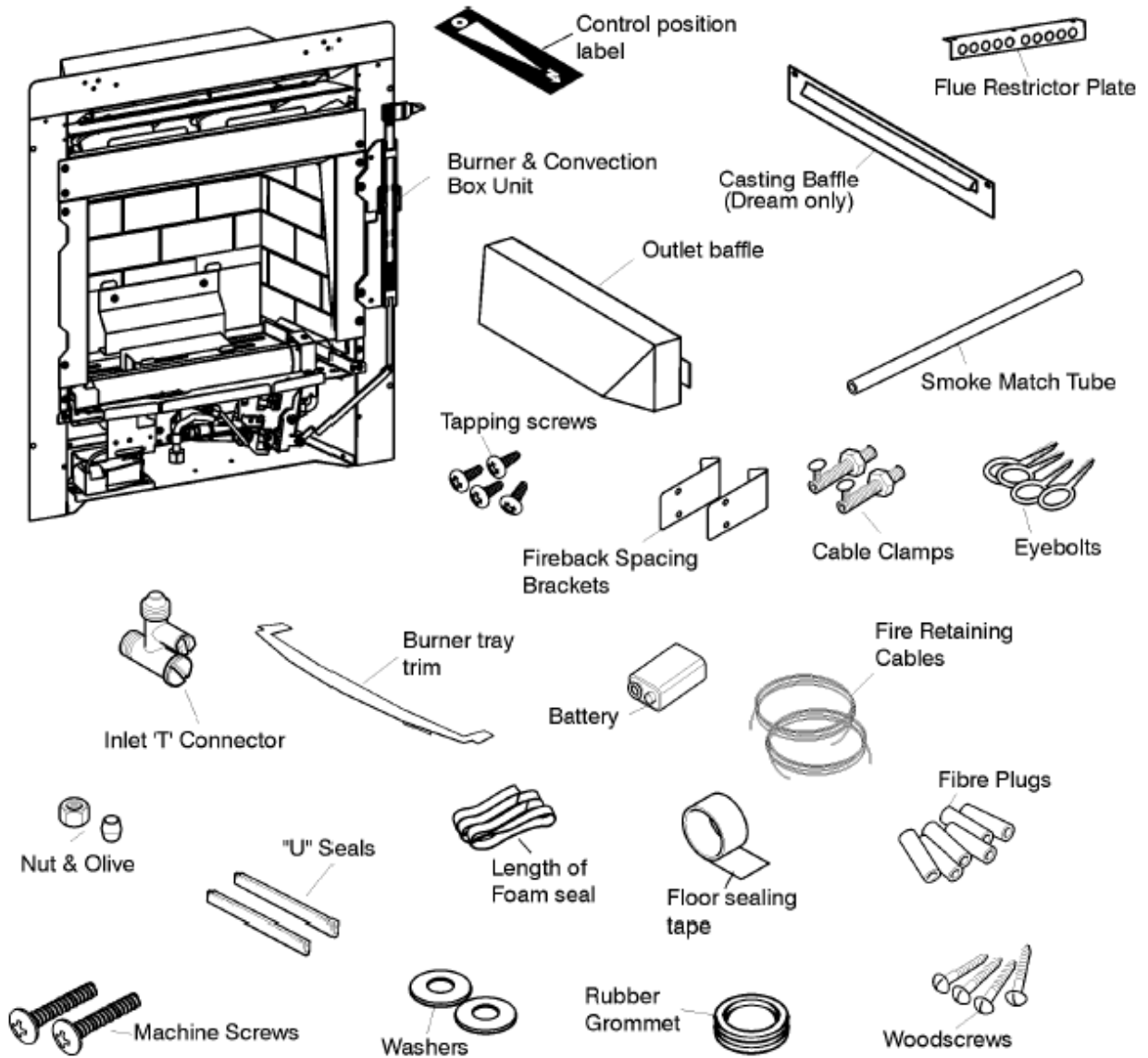
[Section 2 - "Homeflame Dream" fascia pack](#) contains:

- 1 Fascia and firefront casting.
- 1 Hood

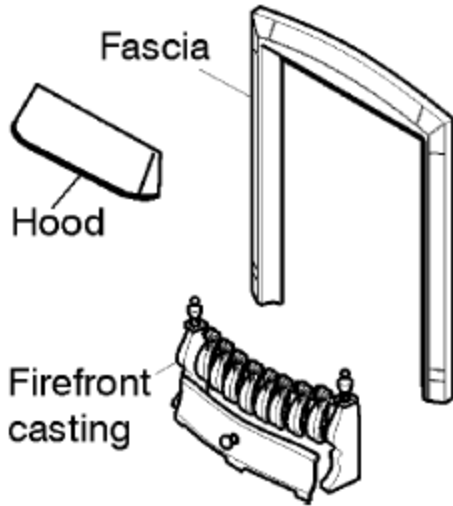
[Section 2 - "Homeflame Harmony" fascia pack](#) contains:

- 1 Fascia.

Carefully remove all the contents. Take special care in handling the ceramic pieces. Take care not to bend or distort the slide control linkage when handling the fascia. Check that all the listed parts are present and in good condition.



Homeflame Dream Fascia.



Homeflame Harmony Fascia.



Figure 6. Pack contents (Items are not to scale)

Page 17

6. FIREPLACE CHECK

6.1 Fireplace check.

6.1.1 Fireplace size.

The fireplace must comply with the requirements described in [section 4.2](#). This will probably entail removing the fireback and infill material behind the fireback. The debris catchment area shown in [figure 7](#) must be kept clear of obstructions.

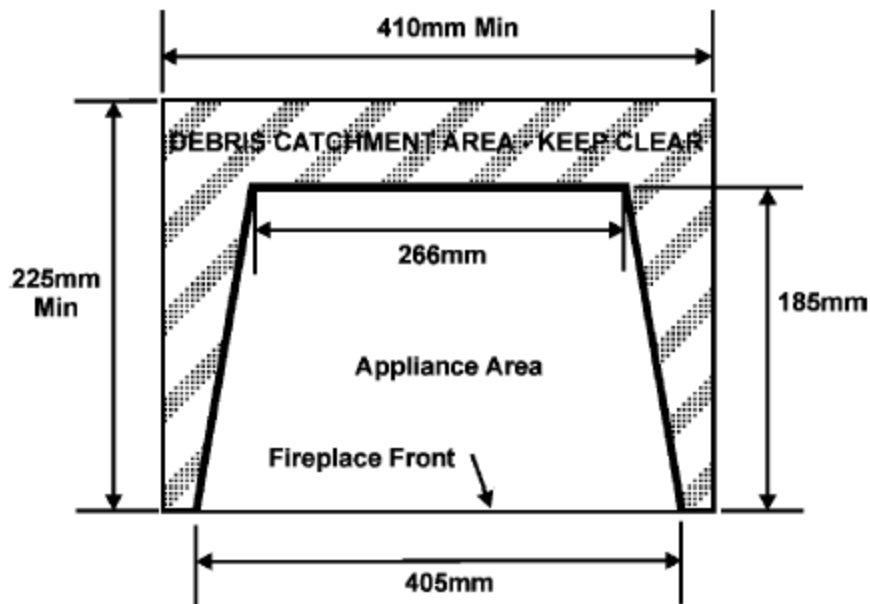


Figure 7. Fireplace area.

6.1.2 Fireplace general condition.

The fireplace floor should be reasonably flat to ensure that the convection box can be installed without it rocking and so that a good seal can be made at the bottom front of the box. The front face of the fireplace should be reasonably flat over the area covered by the convection box top and side flange seals to ensure good sealing. These faces should be made good if necessary.

Page 18

If the appliance is to be fitted against a wall with combustible cladding, the cladding must be removed from the area covered by the fascia. The cladding must also not touch the fascia (See [figure 4](#)). We suggest that the actual fascia is used as a template to mark the area for combustible cladding removal and that this area is increased by at least 2mm all round.

6.1.3 Soundness for appliance attachment

Two primary methods of retaining the appliance are provided: -

- 1) By fixing to the fireplace front surround.
- 2) Using concealed tension cables fixed to the rear of the fireplace opening together with secondary fixing to the fireplace floor.

The methods are detailed in [section 10](#) of this manual. Before selecting the retention method, consult with the customer. Method 2 is provided for instances where drilling holes in the front

surface of the fireplace surround is unacceptable to the customer or otherwise impractical. *N.B. It is unwise to attempt to drill into marble without the proper tools and equipment.*

If method 1 is chosen, make sure that the front surround area is sound enough to take the fibre plugs and woodscrews. If necessary, make sound with a suitable cement. If method 2 is chosen, make sure that the areas at the back and towards the centre of the fireplace floor are sound enough to take the eyebolts and screws. If these areas have deteriorated due to prolonged use, they should be made sound with a suitable cement.

6.1.4 Installations using a metal flue box

The top, sides and rear surface of the metal flue box must be covered with a 50mm layer of mineral wool or equivalent insulation (See [figure 2](#)).

Important Note: Where the flue box has a base sheet that is single wall (i.e. a single metal sheet) the flue box must be mounted on a non-combustible hearth. The hearth material must be at least 12mm thick.

6.2 Fireplace flue pull.

Close all doors and windows in the room in which the appliance is to be installed. After confirming with a match that smoke is drawn into the flue, light a 13 gram smoke pellet and check that there is a definite flow through the flue. Verify outside that the smoke exits from one terminal only and that the termination is suitable. Observe, where possible, upstairs rooms and loft spaces for signs of escaping smoke indicating a defective flue. If there is not a definite flow warm the flue for a few minutes and repeat the smoke pellet test. If there is still no definite flow the flue may need remedial work – **Do not fit the appliance until there is a definite flow through the flue.**

Page 19

7. IGNITION CHECK

Before attempting to install, it is worth checking that the electronic ignition system performs satisfactorily. Fit the battery to the ignition block located below the burner tray at the left side (See [figure 8](#)). The positive terminal (+) is to the bottom as you insert.

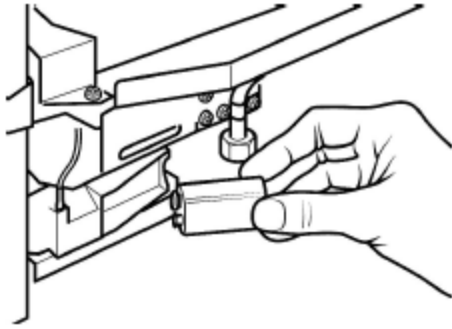


Figure 8. Fitting the battery

Depress the slider knob as far as it will go and hold in this position. This should close the ignition circuit and sparks should be seen tracking from the electrode pin to the pilot tip (See [figure 9](#)).

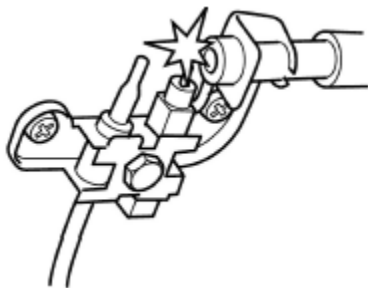


Figure 9. Slider control

If there are no sparks make the following checks.

- Check condition of battery and that it is correctly fitted.
- If the above is satisfactory, check the ignition circuit and components - see the servicing section in this guide.

8. GAS SUPPLY CONNECTION

A nut and olive are provided for an 8mm pipe inlet connection to the 'T' connector at the bottom front of the appliance. The 'T' connector can be rotated to allow a connection from any direction and includes a valve for isolating the gas supply and a pressure test point.

The supply pipe must be rigid material. Flexible pipe must not be used.

Concealed Supply Pipe Connection

If a concealed connection from inside the fireplace is required then, **before the appliance is fitted into the fireplace** it will be necessary to extend the supply line so that it will project

through the hole in the back of the convection box and run to the 'T' connector at the front. The pipe run from the supply line up to the rear opening in the convection box must be kept away from the area which will be taken by the convection box when it is installed (See [figure 7](#)).

Note that the centre of the appliance inlet 'T' connector is 25mm above the fireplace floor. The inlet 'T' connector should be fitted to the supply pipe at this stage.

Page 20

9. PREPARING APPLIANCE FOR INSTALLATION

IMPORTANT

Before continuing with the installation of this gas fire the aeration setting on the burner must be checked. The aeration is factory set and should not require adjustment. See [section 17.1](#) (Servicing and parts replacement).

1. Unscrew and remove the knurled screw connecting the slider control arm to the burner module. Lift the slider control knob, moving the control arm away from the burner module.
2. Unscrew and remove the left and right hand window brackets (See [figure 10](#)).

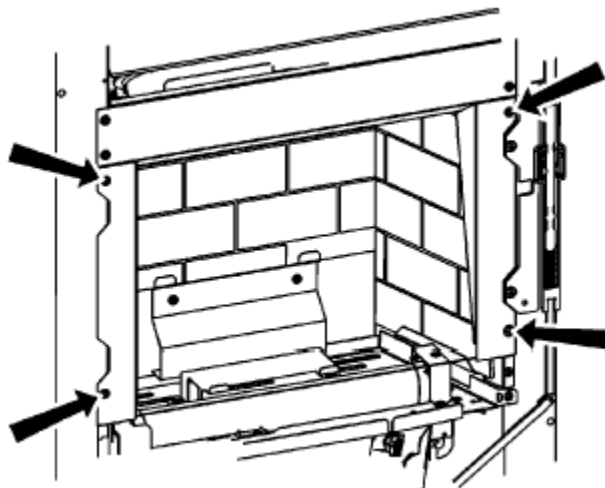


Figure 10. Window bracket removal

3. Lift the glass panel clear of its lower support channels (See [figure 11](#)). Lower and remove the glass panel. Place the glass panel in a safe place away from the work area.

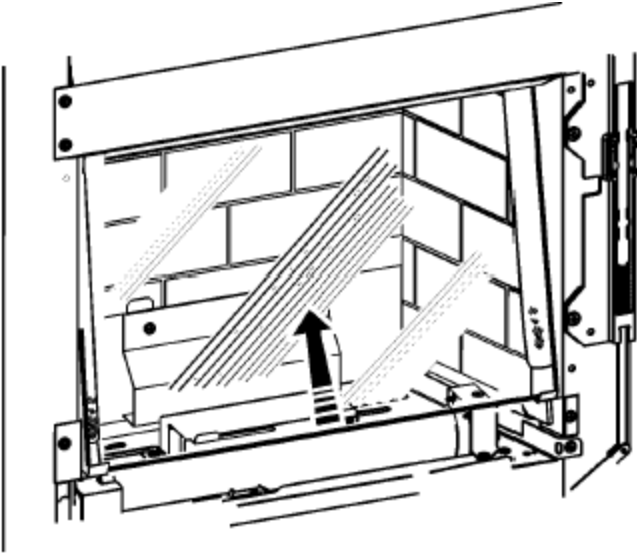


Figure 11. Window removal

4. Detach the burner unit from the convection box by removing two screws (See [figure 12](#)). Lift the burner unit clear.

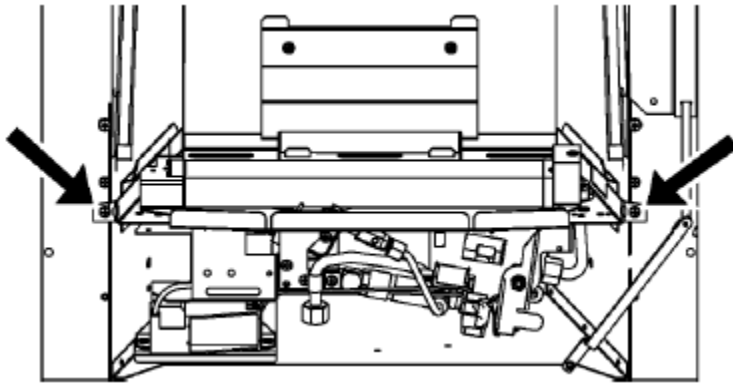


Figure 12. Burner attachment points

Page 21

5. Fit the two "U" section seals to the bottom edges of the convection box side flanges (See [figure 13](#)).

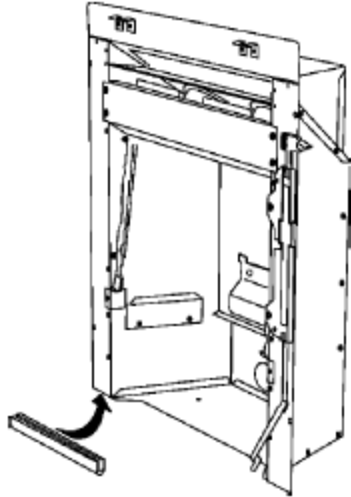


Figure 13. 'U' Seals

6. It is important that the grommet supplied in the loose parts pack is fitted to the hole in the rear of the convection box.

7. For concealed connection only:

Pierce the grommet to allow the pipe to pass through it. The grommet should envelop the pipe. If the hole is larger than the pipe, seal it with tape. **Do not pierce the grommet unless the supply pipe is to pass through it.**

8. The appliance is supplied with two fireback spacers that must be fitted in all installations. These should extend backwards to ensure sufficient clearance from the back of the fireplace. Position the fireback spacer as shown in [figure 14](#). Secure the fireback spacers using the four tapping screws supplied with the fire.

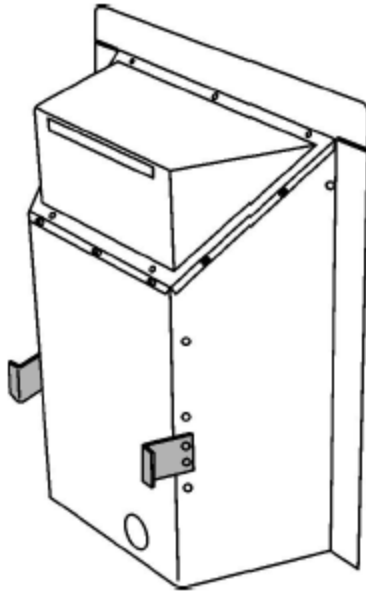


Figure 14. Fireback spacers.

9. This appliance is supplied with a flue restrictor for use where the flue draught is excessive. **The restrictor must NOT be fitted where a precast flue, metal flue box or a flue liner is used.** There may however, be certain circumstances where fitting the restrictor causes the fire to fail the spillage test. In such cases the restrictor will have to be removed. After removal conduct the spillage check again.

The restrictor is packed loose with the appliance and is fixed with three screws (See [figure 15](#)).

10. There is a length of self adhesive foam seal supplied with the fire. This will need to be fitted to the outer rear edges of the side and top flanges of the convector box. Cut a 485mm length of foam seal. Be careful not to stretch the seal when measuring. Remove the protective backing from the foam seal and fit this to the rear of the top flange (See [figure 16](#)). Cut two 580mm lengths. Fit these to the rear outer edges of the side flanges. Ensure that there is no gap between the foam seals where they meet at the top flange (See [figure 16](#)).

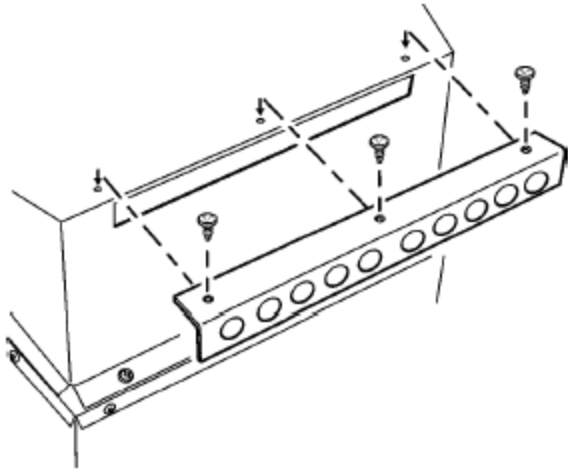


Figure 15. Flue restrictor

The foam seal should touch at this point. Ensure that there is no gap between the seals.

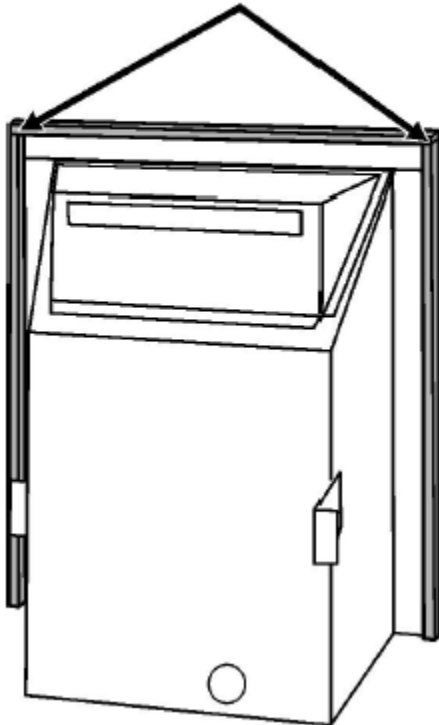


Figure 16. Fitting the foam seal

10. CONVECTION BOX INSTALLATION

10.1 Method 1 - Front fixing to fireplace surround.

1. Make sure that the fireplace front surround area is sound enough to take the fibre plugs and woodscrews. If necessary, make sound with a suitable cement.
2. Place the convection box centrally in the fireplace in the position in which it is to be permanently installed. If a concealed connection is being used, insert the convection box into the fireplace feeding the supply pipe through the pierced hole in the rear grommet.
3. Mark the fireplace front surround through the four fixing holes in the side flanges of the convection box (See [figure 17](#)).

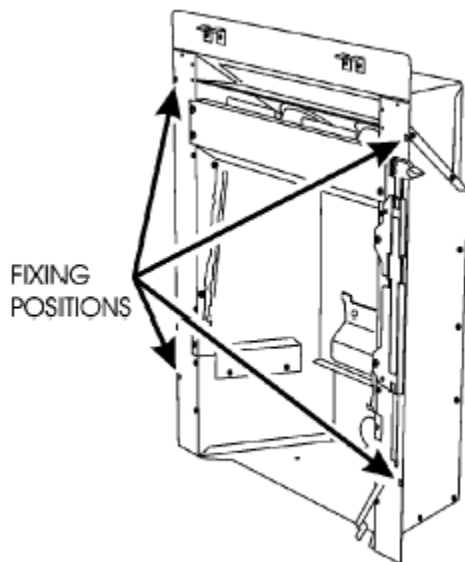


Figure 17. Front fixing

4. Remove the convection box. Drill four holes in the fireplace front surround at the marked positions using a no.12 masonry drill.
5. Insert a fibre plug into each hole.
6. Place the convection box back in position in the fireplace.
7. Fit a woodscrew through each hole in the convection box flanges and tighten to seal the box to the fireplace surround.

10.2 Method 2 - Cable retention and floor fixing.

1. Make sure that the relevant areas at the fireplace back or floor are sound enough to take the eyebolts and screws. If these areas have deteriorated due to prolonged use they should be made sound with a suitable cement.
2. Drill four holes in the rear wall of the fireplace for the eyebolt plugs. The holes should be drilled within the range of positions shown in [figure 18](#) using a suitably sized masonry drill. The holes should be equidistant each side of the centre line of the fireplace to ensure that the appliance finishes centrally in the opening when tension is applied to the cables.

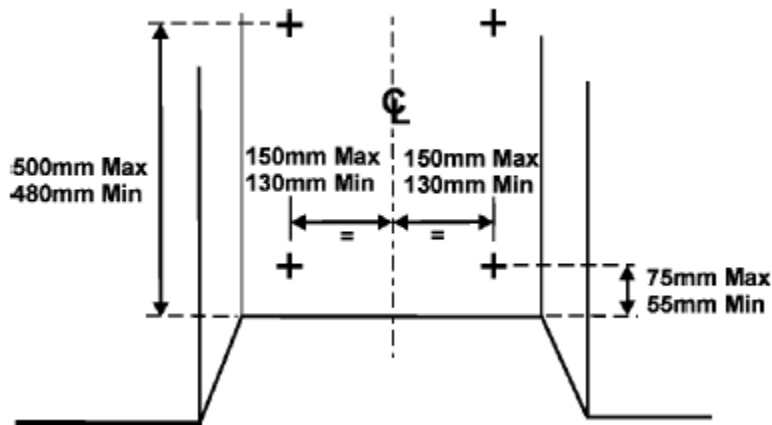


Figure 18. Eyebolt positions

3. Insert a fibre plug into each hole. Use the fibre plugs supplied with this appliance - **Never use plastic plugs instead of the fibre plugs supplied.** Screw the eyebolts into the plugs. Make sure that the bolts are secure.

Page 24

-
4. Place the convection box unit close to the fireplace but allow sufficient access into the fireplace opening so that the cables can be threaded through the eyebolts and returned through the back of the convection box. If a concealed connection is being used, insert the convection box into the fireplace feeding the supply pipe through the pierced hole in the rear grommet.
 5. The convection box has two holes at each side of the convected air opening. Insert one end of each cable (one cable each side) from the back through the lower of the two holes and return the end through the upper of the holes (See [figure 19](#)). Give the cables a pull so that they grip against the convection box flanges.

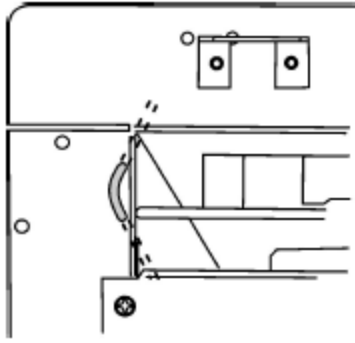


Figure 19. Upper cable retention

6. Thread the cables through the eyebolts. Return the cables through the holes near the bottom of the convection box back panel (See [figure 20](#)).

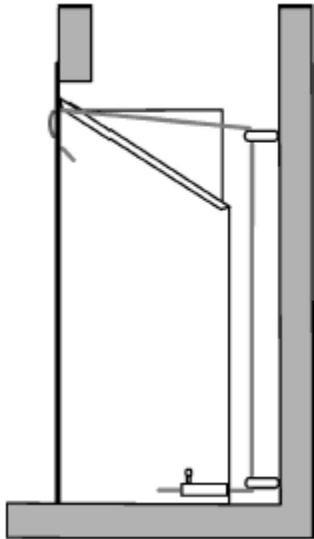


Figure 20. Cable route

7. Place the convection box fully back into the fireplace opening so that it is sealed against the fireplace front surround.

8. Drill a hole into the fireplace floor through each of the two holes in the base of the convection box using a suitably sized masonry drill (See [figure 21](#)).

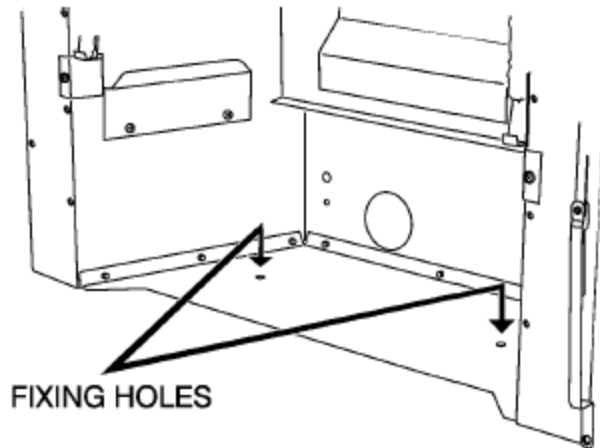


Figure 21. Floor fixing

9. Insert a fibre plug into each hole. Use the fibre plugs supplied with this appliance - **Never use plastic plugs instead of the fibre plugs supplied.** Fit a woodscrew in each plug and tighten.

Always screw the base into position before applying tension to the cables. This will ensure a tight seal between the top of the convection box and wall.

10. Fit a cable retainer over the bottom end of each cable.

Page 25

11. Pull each cable taut. Push the cable retainers hard up against the back panel. The end of the cable adjuster will pass into the hole. Tighten the screws in the retainers so that they clamp the cables in position. Apply tension to the cables by turning the hexagonal adjusters by hand (See [figure 22](#)).

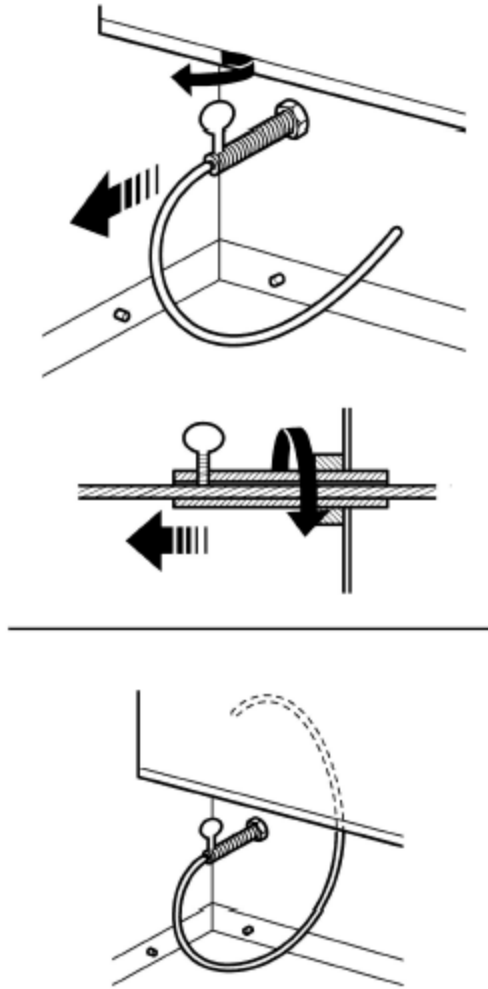


Figure 22. Lower cable retention

12. Inspect the installation of the convection box against the fireplace surround. If the convection box is aligned squarely and the sealing is satisfactory, fully tighten the cable retainers.

13. If the convection box is not correctly aligned, release the tension on the cables by slackening the screws and turning the hexagonal adjusters fully anticlockwise. The convection box should then automatically realign itself. Pull each cable taut again and push the cable retainers back against the back panel. Again, tighten the screws in the retainers and apply tension to the cables by turning the hexagonal adjusters clockwise as far as possible.

14. Feed the free length of the cables into the gap between the inner and outer back panels so that they are available to allow easy removal and refitting of the appliance during subsequent service calls. ***Do not cut off the free lengths of cable*** (See [figure 22](#)).

10.3 Sealing floor front - All installations.

Using the floor sealing tape supplied, seal the bottom of the convection box to the fireplace and hearth floor (See [figure 23](#)).

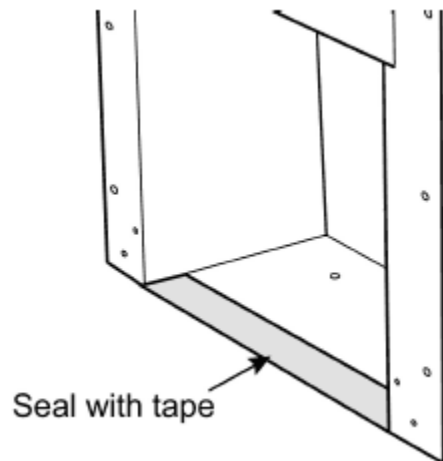


Figure 23. Floor Sealing

Make sure that the whole length of the front edge of the convection box is fully sealed.

Page 26

11. BURNER AND SUPPLY PIPE INSTALLATION

11.1 Burner and supply pipe installation.

- 1.** Remove the 'Aeration checking' reminder label from the top of the burner.
- 2.** Refit the burner unit to the convection box with the two screws removed previously.
- 3.** Connect the supply line to the appliance.
- 4.** If closed, open the isolating valve at the inlet 'T' connector.
- 5.** Turn on the gas supply and pressure check the installation pipework for gas soundness. In the United Kingdom (GB) check in accordance with the current edition of BS 6891. In the Republic of Ireland check in accordance with the current edition of IS 813 "Domestic Gas Installations".

11.2 Preliminary burner checks.

Some burner operations can be checked at this stage. Checking now will mean that less disassembly will be required if any problems are found. ***A full check should still be made, however, after final installation.***

1. If closed, open the isolating valve at the inlet 'T' connector.
2. Rotate the control pivot bracket clockwise as far as it will go and hold in this position (See [figure 24](#)). This should close the ignition circuit and simultaneously open the gas tap allowing the gas to flow to the pilot. Wait a few seconds while the air is purged. The electronically generated sparks should light the pilot. The pilot should then light the main burner at its low setting. There may be a delay of up to four seconds between the pilot lighting and ignition of the gas at the main burner. This is normal and is due to the time required to fill the main burner compartment with sufficient gas for ignition.

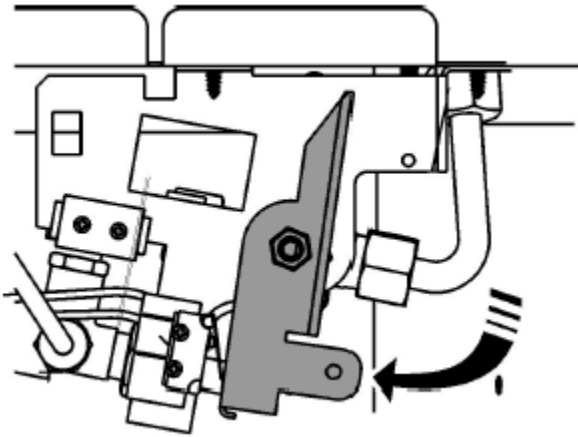


Figure 24. Control pivot plate

3. When the burner is operating properly, gradually turn the control pivot bracket anticlockwise. The burner flames should gradually increase until the pivot bracket is nearly at its furthest anti-clockwise rotation. Rotating further until the pivot bracket comes to a stop should then turn the burner and pilot off.
4. If the above checks are satisfactory, continue with the installation. If not, check the control and ignition circuitry and components as described in the servicing section of this guide.
5. Align the hole near the bottom of the control linking bar with that in the control pivot bracket. Join them with the knurled shouldered screw removed previously.

Page 27

11.3 Inlet pressure check.

The appliance is pre-set to give the correct heat input at the inlet pressure shown in [section 3](#) of this manual. No adjustment is necessary.

1. Check the inlet pressure by fitting a pressure gauge at the test point. The test point is on the inlet 'T' connector (See [figure 25](#)). Check the pressure with the appliance alight and set at maximum output.

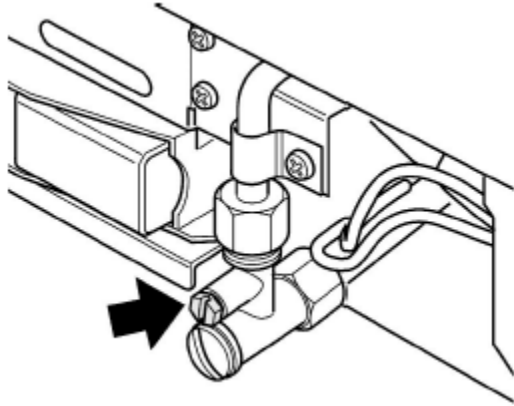


Figure 25. Pressure test point

2. After checking, turn off the appliance. Remove the pressure gauge and replace the test point sealing screw.

3. Relight the appliance. Turn to the maximum output position and test around the sealing screw for gas soundness with a suitable leak detection fluid.

4. **Homeflame Dream only** - Fit the burner baffle to the front flanges of the burner. To do this, locate the tags on the baffle over the front flanges of the burner and lower into position (See [figure 26](#)).

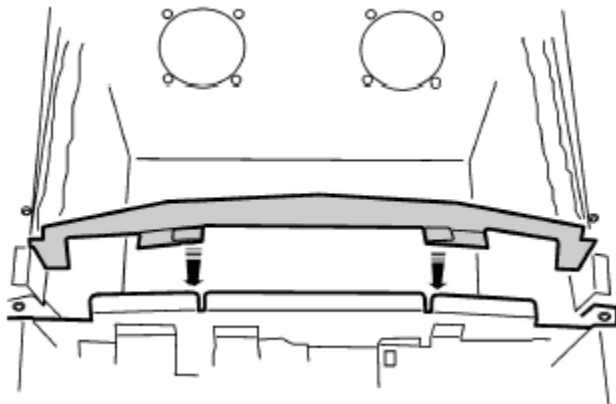


Figure 26. Burner tray baffle location

5. It is advisable at this stage to remove the battery to avoid accidental ignition whilst fitting the ceramic fuel effect.

12. FITTING THE CERAMIC FUEL EFFECT

The installer and owner guide for the ceramic fuel effect is supplied with the ceramic fuel effect. It is important that the fitting guide for the ceramic fuel effect be placed inside or attached to this guide and handed to the customer following completion of the 'Final review' section.

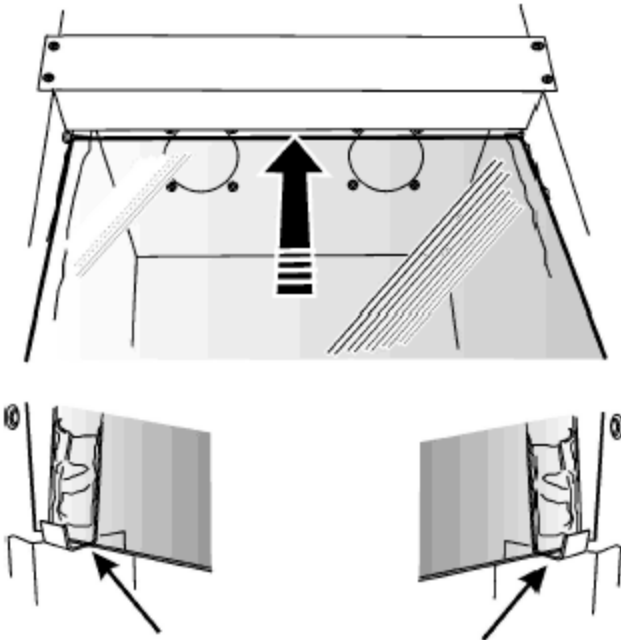
13. FITTING THE GLASS PANEL

Note:

When fitting the glass panel care must be taken to ensure that the bottom of the glass is lifted high enough to clear the front ceramics and prevent damage to them. Care must also be taken to centralise the glass panel. This will prevent the contact with the window channel fixings which can cause minute chips on the edge of the glass panel. The bottom outside edge of the glass panel is painted black. Ensure that the inside face of the glass panel is clean and free of fingerprints.

Page 28

1. Locate the top of the glass panel as in [figure 27](#). Lift the glass panel and lower into the support channels (See [figure 11](#)).



Ensure that glass is fully located into the window brackets

Figure 27. Glass panel location

2. Fit the left and right hand window brackets using the four screws removed previously (See [figure 10](#)).

14. FULL OPERATING CHECKS

14.1 Checking the control settings.

Please note:

- *When first turned on from cold, the flames will appear predominantly blue. It is normal for condensation to form on the rear of the glass panel. The condensation will disappear after a few minutes use.*
- *When operating the fire for the first time, some vapours may be given off which could set off smoke alarms in the vicinity. These vapours are quite normal with new appliances. They are totally harmless and will disappear after a few hours use.*

1. Refit the battery if previously removed.
2. Make sure the slider button is at the off position (At topmost position).
3. Slide the button to the bottom (ignition) position. Retain in this position to ignite the pilot. The burner should ignite at its lowest setting within 4 seconds of the pilot igniting. Keep at this position for a further 10 seconds to allow the pilot flame to stabilise.

4. Release the button. The button should automatically spring up to the low heat position. If the flames go out at this stage or when checking the rest of the setting positions, try the full lighting sequence again. If the flames fail after two attempts, investigate the pilot unit.

Page 29

5. Gradually slide the button up to increase the burner setting. The burner should be at its maximum setting at the high heat position "O". You should feel a check to the button movement at this position.

6. Slide the control button up past the high heat position to the off position at the top of the slide slot. Both pilot and main burner should go out. While cooling the ceramic fuel effect may make some crackling noises. This is quite normal.

14.2 Check for spillage.

A spillage check must be made before leaving the installed appliance with the customer.

1. Close all doors and windows in the room containing the appliance.
2. Light the appliance and set the slide control to the maximum burning position.
3. Leave the appliance on for five minutes.
4. The smoke match should be placed horizontally into the top of the down draught air relief opening, 70mm from the right hand side. Insert the smoke match tube up to the neck of its flared end (approximately 20mm) (See [figure 28](#)).

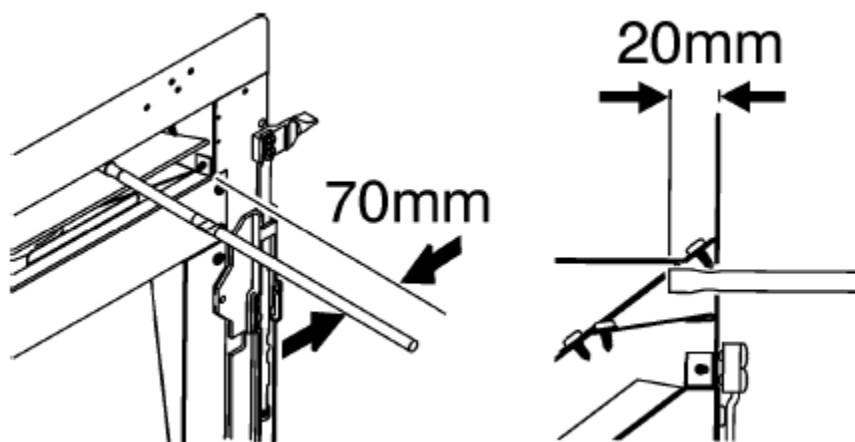


Figure 28. Smoke match tube position

The installation is satisfactory if the smoke is drawn into the appliance. Under clearance conditions smoke may be seen to swirl in the opening and small quantities may occasionally escape. The majority of smoke should be clearly drawn into the appliance. If the smoke is not drawn into the appliance leave the appliance alight at the maximum setting for a further ten minutes and then repeat the test. If the smoke is still not drawn into the appliance inspect the sealing to the fireplace surround. If the sealing is satisfactory but the appliance is installed with the flue restrictor (See [section 9](#) point 9) remove the restrictor, reseal the appliance and retest. If smoke is still not drawn into the appliance **disconnect the appliance and seek expert advice.**

5. If the above test is satisfactory open all internal connecting doors, hatches, etc. in the room. Keep all doors and windows that open to the outside of the building closed. Recheck for spillage as above. If an extractor fan is installed in the same room as the appliance or a connecting room, check that spillage does not occur with the fan operating and all doors and other openings between the fan and the appliance open.

Page 30

If the smoke is drawn into the appliance, continue with the installation. If the test is not satisfactory **disconnect the appliance and advise the customer of the cause of failure.**

14.3 Flame supervision and spillage monitoring system.

This pilot unit includes a system that will automatically shut off the gas supply if the pilot flame goes out or if there is insufficient oxygen due to spillage or poor ventilation. Check that the system operates properly as follows;

1. Light the appliance. Set the slide control to the maximum burning position and leave for one minute.
2. Set the control to the 'Low' burning position. Isolate the gas supply at the inlet 'T' connector. The pilot and main burner will go out. **Note the time when the pilot goes out.** Listen for a snap sound at the gas tap. **Note the time when the sound is heard.** This sound is caused by an electromagnetic valve shutting off the gas supply through the tap. The valve is located in the body of the tap. The valve should operate **within 60 seconds of the pilot going out.** If the valve does not operate within this time limit do not allow the appliance to be used until the fault has been corrected.

This monitoring system must not be adjusted, bypassed or put out of operation.

This monitoring system, or any of its parts, must only be exchanged using authorised parts.

3. Open the isolating valve on the inlet 'T' connector. Screw on the end cap and test for leaks.
4. Set the slider to the upmost "Off" position.

15. OUTLET BAFFLE AND FASCIA FITTING

Homeflame Dream model.

15.1 Fitting the outlet baffle.

Locate the outlet baffle and secure in place using two tapping screws supplied (See [figure 29](#)).

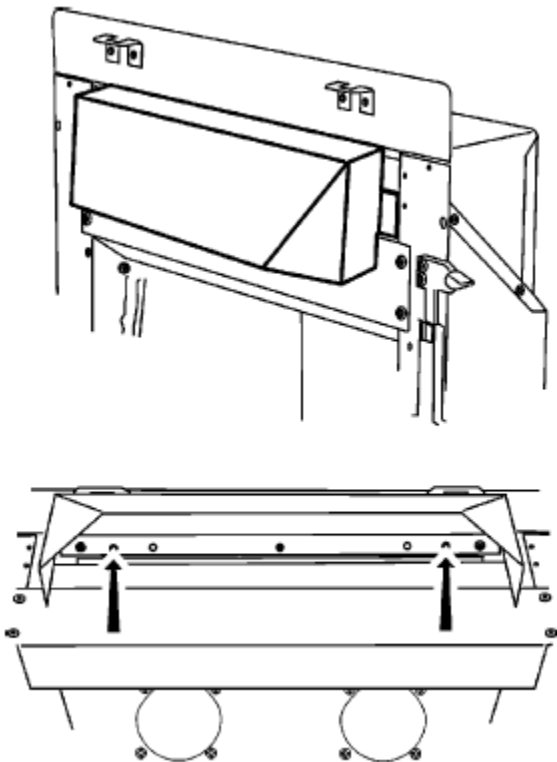


Figure 29. Outlet baffle.

15.2 Fitting the fascia.

1. Supplied with the fire is a self adhesive control position label. Peel the backing from the label and place as in [figure 30](#).

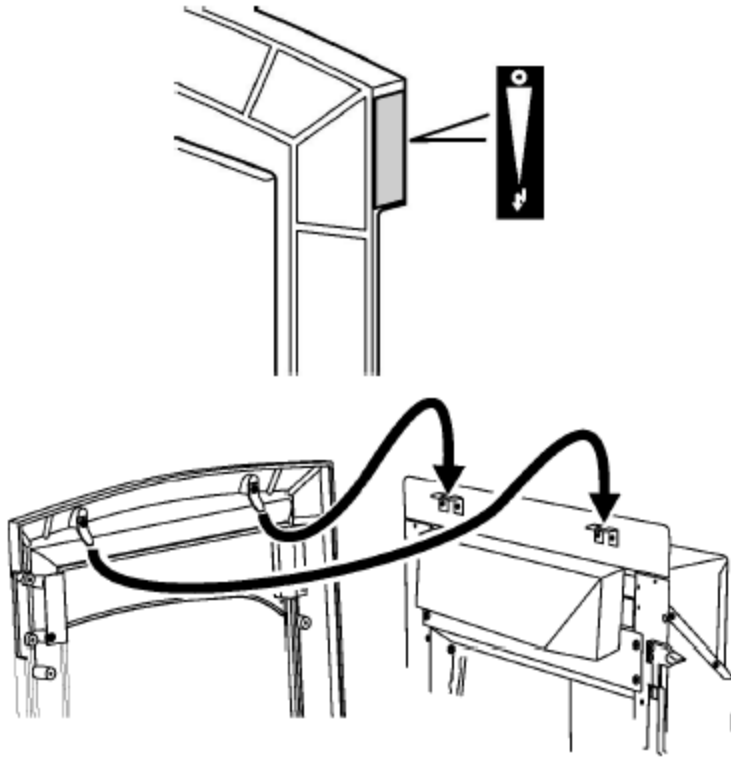


Figure 30. Fascia location (Fascia may differ from that shown).

2. Place the fascia against the fireplace front surface so that the two retaining plates at the back of the fascia are above the two upper retaining brackets at the top of the convection box. Lower the fascia making sure that the rear retaining plates locate fully into the retaining brackets on the convection box (See [figure 30](#)).

If the inlet pipe runs along the front of the fireplace, the bottom of the fascia will have to be swung forwards to clear the pipe while lowering the casting.

3. Secure the bottom of the fascia using the two machine screws and washers supplied (See [figure 31](#)).

15.3 Fitting the firefront casting.

1. The firefront casting is supplied with a black baffle fitted to its rear. This has to be removed and replaced with the firefront casting baffle supplied with the fire. To do this remove the two screws on the rear of the casting (See [figure 32](#)) and remove the existing baffle.

Page 32

Secure the new baffle in place using the two screws.

2. Place the firefront casting centrally on top of the hearth in front of the fascia.

Place the bottom front cover casting / ash pan in position.

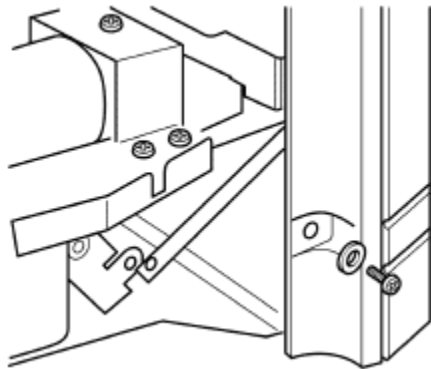


Figure 31. fascia fixing.

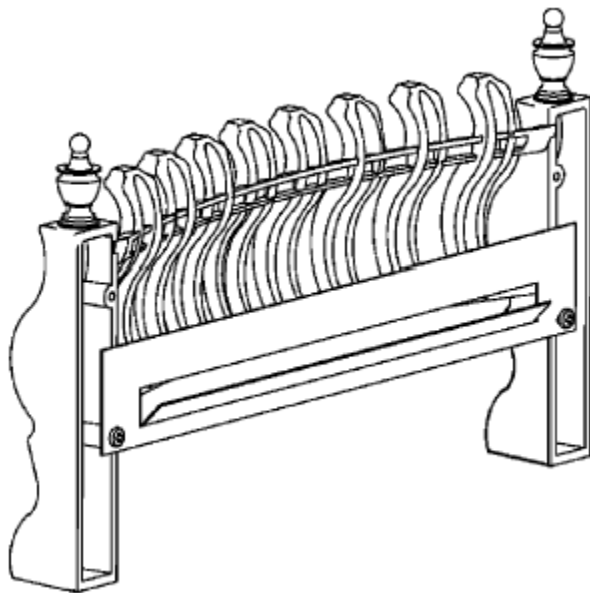


Figure 32. Casting baffle.

Homeflame Harmony model.

15.4. Fitting the fascia.

1. Place the top of the fascia against the fireplace front surface so that the two retaining plates at the back of the fascia are directly above the two retaining brackets on the convector box. Keeping the lower part of the fascia clear of the ceramic fuel effect, lower the fascia making sure that the rear retaining plates locate fully into the retaining brackets on the convection box (See

[figure 33](#)). The fascia bottom is held in place with magnets. These should be located as in [figure 33](#).

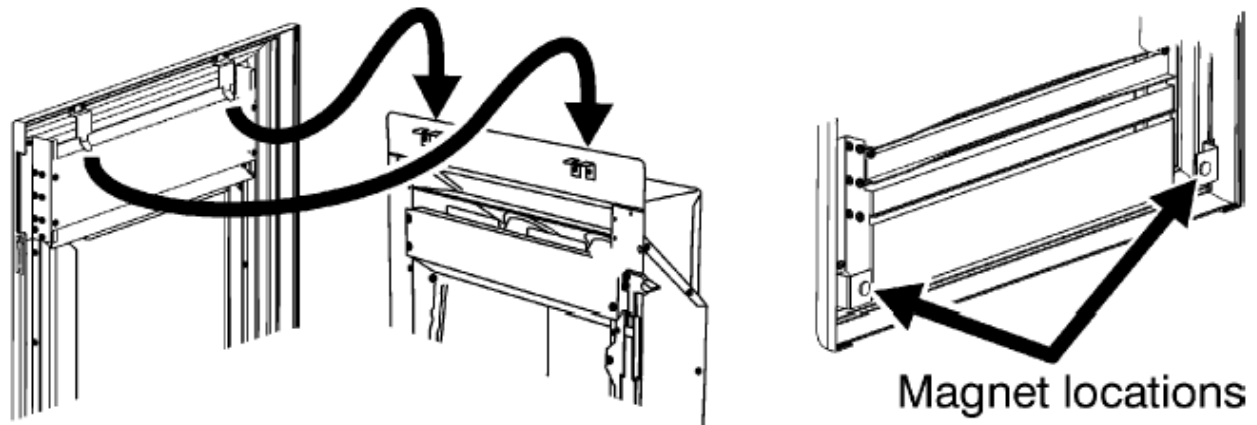


Figure 33. Fitting the 'Homeflame Harmony' fascia

2. Supplied with the fire is a self adhesive control position label. Peel the backing from the label and place on the fascia underneath the slider knob (See [figure 30](#)).

Page 33

16. FINAL REVIEW

1. Visually inspect the appliance. Clean off any marks incurred during installation.
2. Advise the customer how to operate the appliance.

Point out that lighting instruction details are on the metal plate attached at the bottom of the appliance. Explain to the customer that the appliance has a flame failure & spillage monitoring system. Point out the explanation of this system shown in the owner guide under "Operating the fire". Advise that if the fire goes out for any reason, wait at least three minutes before relighting. Stress that if the monitoring system repeatedly shuts off the fire, the appliance should be switched off and a specialist should be consulted.

3. Advise the customer that they should read their owner guide before operating the fire and always follow the advice in the section headed "Cleaning your fire".

4. Stress that no extra ceramic fuel effect pieces must be added over and above those supplied with the appliance and that any replacements must only be the authorised spares. Warn that ignoring this advice could cause incomplete clearance of the products of combustion with consequent health hazards. If you have not done so already; attach or place the ceramic fuel effect guide inside this guide.

5. Advise the customer that the appliance will operate to its maximum potential if the flue is primed during the first 20 – 30 minutes of use. To do this, simply slide the control to its highest setting. This will also burn off any carbon deposits that may have formed during previous use.

6. Emphasise that if the glass panel is broken or damaged, the fire should be turned off and not used until the window unit is refitted with an authorised replacement. The fire should not be used without the glass panel fitted.

7. Advise the customer that when first turned on from cold, the flames will appear predominantly blue and it is normal for condensation to form on the rear of the glass panel. The condensation will disappear after a few minutes use.

8. If using the appliance for long periods it is beneficial to change between settings.

This will also help to remove any carbon deposits that may form during use.

9. Recommend that the appliance should be serviced by a competent person at least annually.

10. If the appliance is in premises in the United Kingdom occupied by a tenant, point out that by law a landlord must have any gas appliance, flue and pipework which is situated in a tenant's premises checked for safety at least every 12 months.

11. Advise that the fire may give off a slight odour while new. This is quite normal and it will disappear after a short period of use.

12. Inform the customer that the Serial number for the appliance is located on the data label, located behind the lower front casting and underneath the burner module.

13. Hand the literature pack with this guide to the customer.

Page 34

17. SERVICING & PARTS REPLACEMENT

- **Always turn off the gas supply before commencing any servicing (The appliance inlet 'T' connector incorporates an isolating valve).**

- **It is recommended that, at least once a year, the appliance is disconnected and the fireplace opening checked and cleared of any debris.**

- **This product uses fuel effect pieces and burner compartment walls containing Refractory Ceramic Fibres (RCF), which are man-made vitreous silicate fibres. Excessive exposure to these materials may cause irritation to eyes, skin and respiratory tract. Consequently, it is important to take care when handling these articles to ensure that the release of dust is kept to a minimum. To ensure that the release of fibres from these RCF articles is kept to a minimum, during installation and servicing we recommend that you use a HEPA filtered vacuum to remove any dust and soot accumulated in and around the**

fire before and after working on the fire. When replacing these articles we recommend that the replaced items are not broken up, but are sealed within a heavy duty polythene bag, clearly labelled as RCF waste. RCF waste is classed as a stable, non-reactive hazardous waste and may be disposed at a landfill licensed to accept such waste. Protective clothing is not required when handling these articles, but we recommend you follow the normal hygiene rules of not smoking, eating or drinking in the work area and always wash your hands before eating or drinking.

- Check that the appliance is clean and that soot or debris is not blocking the gaps between the ceramic fuel effect pieces causing an imperfect flame.
- Check that soot or debris is not impairing the electrode spark or pilot burner.
- Check that soot or debris is not blocking any of the slots in the main burner.
- After servicing, make sure that the ceramic walls are replaced and the ceramic fuel effect pieces are replaced correctly as described in the installer and owner guide supplied with the ceramic fuel effect. The ceramic fuel effect guide may have been placed inside or attached to this guide.
- **Always test for gas soundness and spillage after servicing the appliance.**

17.1 Checking the aeration setting of the burner.

1. The aeration shutter is factory set. It is important to ensure that the aeration setting is correct (See [figure 34](#)).

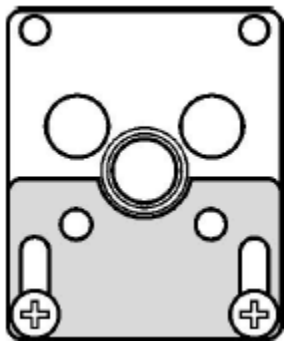


Figure 34. Aeration shutter setting

2. To adjust the aeration setting loosen the two aeration shutter screws, slide the aeration shutter to the desired position and tighten the fixing screws.

17.2 To remove the ignition microswitch.

See [figure 35](#).

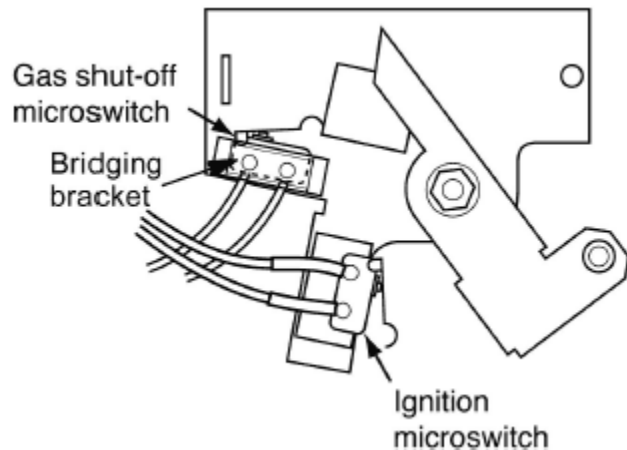


Figure 35. Microswitches

The ignition microswitch is stamped V4NT9C4YC

1. Remove the bottom front cover and the fire front casting.
2. Disconnect the leads from the ignition microswitch (The lower of the two microswitches - See [figure 35](#)).
3. Detach the microswitch and insulation pad by removing two screws.
4. Replace in the reverse order. Check that the microswitch operates correctly by fully closing it and observing that there are sparks at the pilot electrode.

17.3 To remove the gas shut-off microswitch.

(See [figures 35](#) & [36](#)).

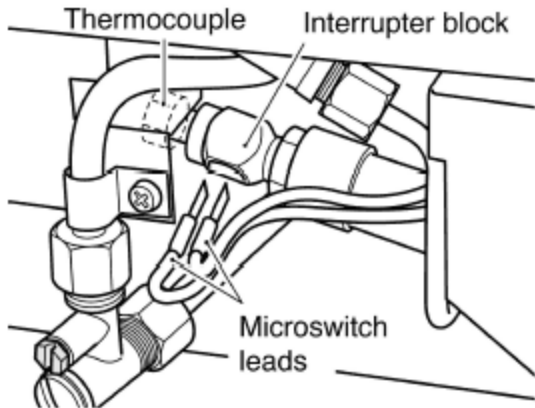


Figure 36. Thermocouple interrupter block

The gas shut-off microswitch is stamped V4NT9C2YCGPX or V4NT9C2YCAUX.

1. Remove the bottom front cover and the fire front casting.
2. Loosen the thermocouple nut to free the microswitch leads and pull the leads clear of the thermocouple interrupter block (See [figure 36](#)).
4. Detach the bridging bracket, microswitch assembly by removing two screws (See [figure 35](#)).
5. Replace in the reverse order. When refitting the leads to the interrupter block, make sure that they are secured firmly to give a good electrical contact.

17.4 To remove the fascia. Homeflame Dream model.

1. Remove the bottom front cover and the fire front casting.
2. Remove the two screws and washers securing the bottom of the fascia to the sides of the convection box (See [figure 37](#)).

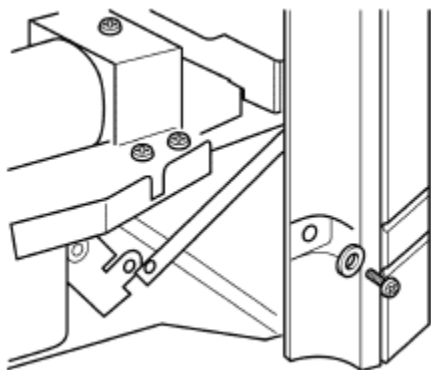


Figure 37. Fascia fixing.

3. Carefully lift the fascia upward to clear the upper retaining brackets on the convection box. Pull the fascia clear and place carefully aside.

Page 36

4. Refit in the reverse order. Make sure that the fascia is properly located over the upper retaining brackets. See [section 15](#) of this guide for detailed fitting instructions.

Homeflame Harmony model.

1. Carefully lift the fascia upward and forward.

2. Place the fascia in a safe place away from the gas fire.

3. To fit the fascia place the top of the fascia against the fireplace front surface so that the two retaining plates at the back of the fascia are directly above the two retaining brackets on the convector box. Keeping the lower part of the fascia clear of the ceramic fuel effect, lower the fascia making sure that the rear retaining plates locate fully into the retaining brackets on the convection box (See [figure 33](#)). The fascia bottom is held in place with magnets. These should be located as in [figure 33](#).

17.5 To replace the control slide unit.

1. Remove the fascia (See [section 17.4](#)).

2. Remove the knurled screw securing the control linking arm to the burner (See [figure 38](#)).

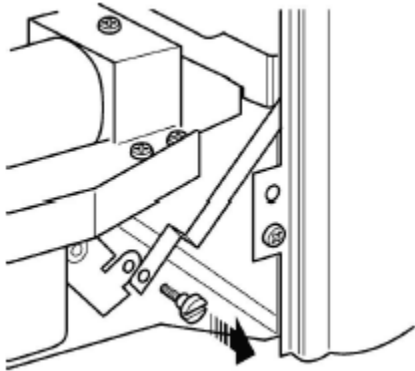


Figure 38. Control linkage disconnection

3. Detach the slide unit by removing two screws securing it to the convection box flange (See [figure 39](#)).

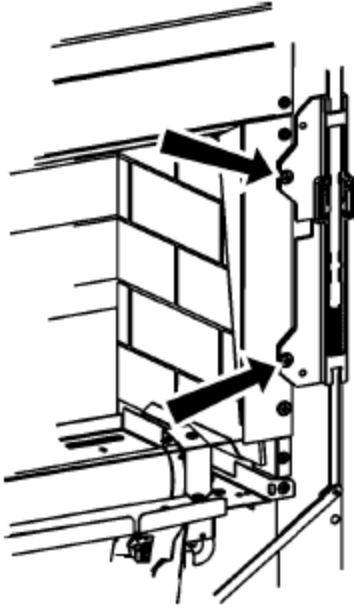


Figure 39. Slider mechanism removal

4. Replace in the reverse order.

17.6 To replace the control slide button.

1. Remove the fascia (See [section 17.4](#)).
2. Unscrew and remove the two screws securing the slide button to the slider mechanism.
3. Remove the button, replace and fit in the reverse order.

Page 37

17.7 To remove the glass panel.

Note:

When removing and fitting the glass panel care must be taken to ensure that the bottom of the glass is lifted high enough to clear the front ceramics and prevent damage to them. Care must also be taken to centralise the glass panel. This will prevent contact with the window channel fixings which can cause minute chips on the edge of the glass panel. Ensure that the inside face of the glass panel is clean and free of fingerprints.

The glass must be located fully into the location points.

1. Remove the fascia (See [section 17.4](#)).

2. Lift the glass panel clear of its lower support channels (See [figure 40](#)). Lower and remove the glass panel.

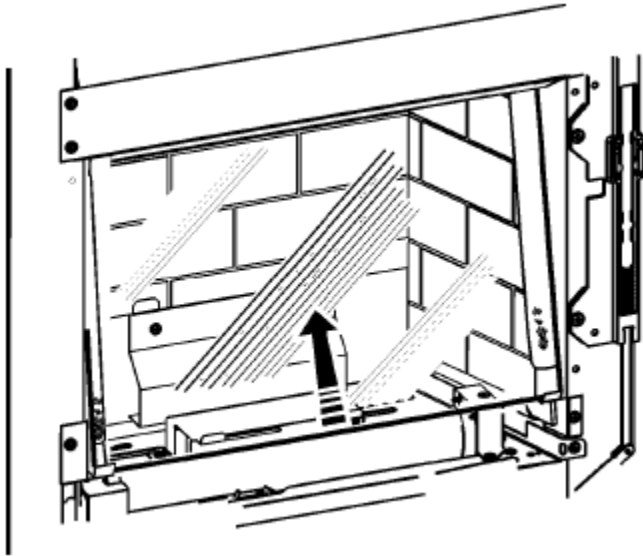


Figure 40. Glass panel removal

3. Replace in the reverse order.

17.8 To remove the fuel effect.

1. Remove the bottom front cover, fire front castings and the fascia (See [section 17.4](#)).

2. Remove the glass panel as in [17.7](#).

3. Remove the fuel effect in the reverse order to that shown for fitting in the ceramic guide. The ceramic fuel effect may cause staining / discolouration to decorative surfaces. It is therefore advisable to protect decorative surfaces.

4. Replace in the reverse order.

17.9 To remove the ceramic side walls.

1. Remove the bottom front cover, fire front castings, fascia and glass panel (See [section 17.8](#)).

2. Unscrew and remove the two window seal brackets (See [figure 41](#)).

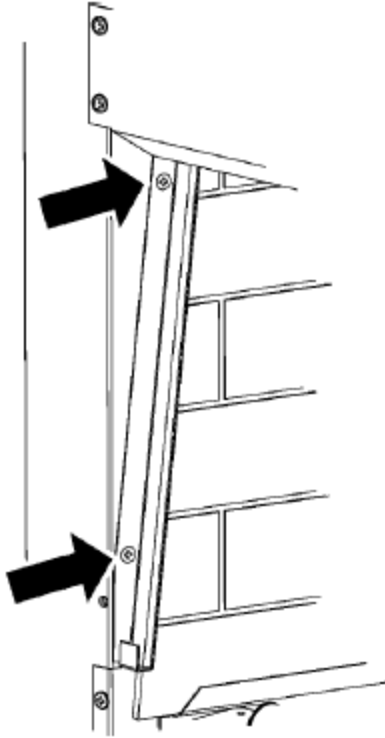


Figure 41. Window seal brackets.

3. Carefully slide the ceramic side walls forward to remove.
4. Carefully slide the ceramic rear wall upward to remove.
5. Replace in the reverse order.

Page 38

17.10 To remove the electronic ignition generator.

1. Remove the bottom front cover, fire front castings, the fascia, glass panel and fuel effect as in [section 17.7.](#)
2. Remove the battery.
3. Remove the spark lead.
4. Unscrew the four support bracket screws (See [figure 42](#)). The generator and its support bracket can now be moved forward. Be careful not to apply tension to the microswitch leads.

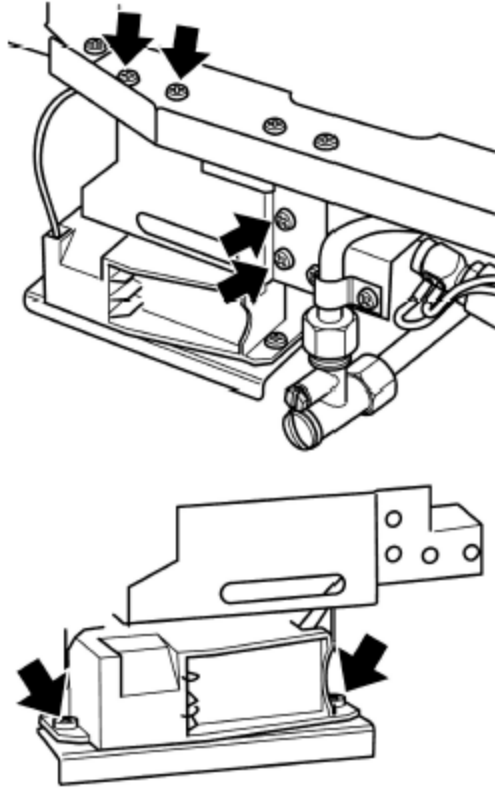


Figure 42. Removal of electronic generator

5. Remove the two fixing screws that attach the generator unit to the support bracket. The igniter generator can now be removed (See [figure 42](#))
6. Remove the two leads to the switch and remove the spark lead. If necessary, mark them to ensure that they are replaced on to the correct terminals.
7. Replace the generator
8. Refit in the reverse order.

17.11 To remove the complete burner unit.

1. Remove the bottom front cover, fire front castings, the fascia, glass panel and fuel effect as in [section 17.7](#)
2. Close the isolating valve in the inlet 'T' connector. Support the inlet 'T' connector to avoid straining the pipework and disconnect the appliance from the 'T' connector.
3. Detach the burner unit from the convection box by removing two screws (See [figure 43](#)).

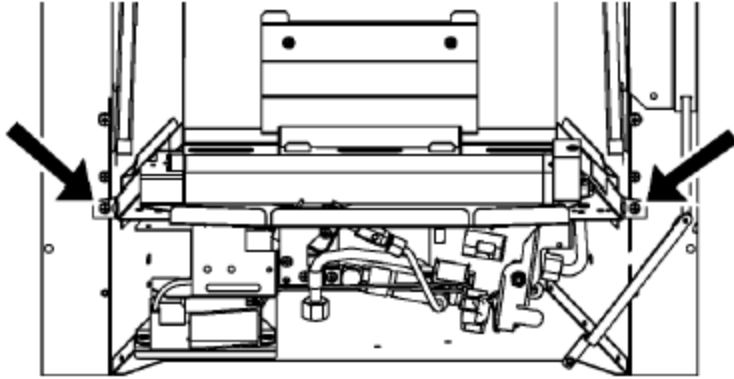


Figure 43. Burner attachment points

4. Replace in the reverse order.

Page 39

17.12 To remove the thermocouple interrupter block.

(See [figure 36](#)).

1. Remove the burner unit (See [section 17.11](#)).
2. Detach the thermocouple from the interrupter block by unscrewing the thermocouple nut.
3. Detach the two microswitch leads from the interrupter block.
4. Remove the interrupter block by unscrewing from the gas shut-off tap.
5. Refit in the reverse order. If the microswitch leads cannot be easily attached to the interrupter block when it is fully tightened to the gas shut-off tap, slacken it and rotate to allow the leads to be fitted. Retighten making sure that the leads remain in place in the interrupter block. Fit and tighten the thermocouple nut making sure that the leads are secured in the interrupter block to give a good electrical contact.

17.13 To remove the pilot unit.

1. Remove the burner unit (See [section 17.11](#)).
2. Detach the pilot pipe from the pilot unit.
3. Detach the thermocouple from the interrupter block by unscrewing the thermocouple nut.
4. Detach the electrode lead from the underside of the electrode tab.
6. Remove the two screws securing the pilot unit (See [figure 44](#)).

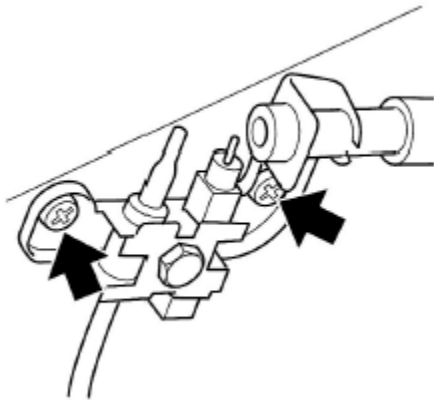


Figure 44. Pilot unit removal

7. Refit in the reverse order.

Note: 1. The pilot unit is an atmosphere sensing device. It must be replaced as a whole assembly. Its individual components are not separately replaceable.

2. When the thermocouple is removed from the interrupter block, the microswitch lead terminals in the interrupter block will be loose. Make sure that they are properly secured to give a good electrical contact when retightening the thermocouple nut.

17.14 To remove the shut-off tap.

(See [figure 45](#)).

1. Remove the burner unit (See [section 17.11](#)).
2. If lying the burner on its back, ensure that the work surface is suitably protected. This will avoid damage to the work surface. Turn the burner unit upside down. Detach the thermocouple and interrupter block from the tap (See [section 17.12](#) paragraphs 2 - 4).
3. Detach the pilot pipe from the tap.
4. Detach the inlet pipe.
5. Remove the hexagonal nut securing the tap to the mounting bracket.
6. Detach the elbow by unfastening the hexagonal nut connecting it to the flow rate controller. Lift the tap (complete with elbow) clear.

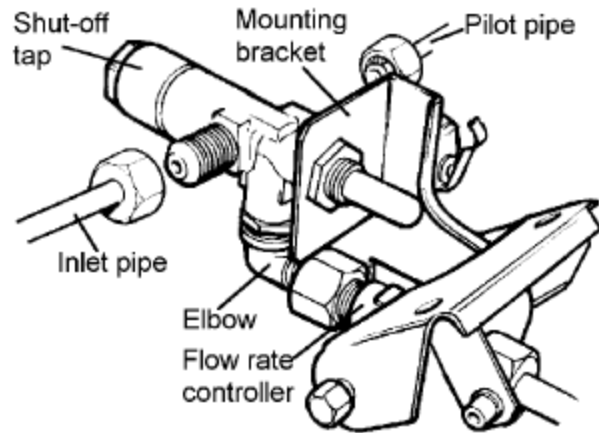


Figure 45. Shut-off tap (Viewed from rear with burner turned over)

7. Loosen the hexagonal locknut securing the elbow to the tap. Remove the elbow by rotating it.

8. If fitting a new tap, remove the hexagonal nut at the mounting bracket end of the old tap and fit to the replacement tap. Refit in the reverse order. When refitting, make sure that the tap spindle is in the correct relationship relative to the control pivot bracket. Rotate the pivot bracket fully clockwise. The tap spindle should "bottom out" (i.e. the tap should be fully open) after the pivot bracket has actuated the ignition microswitch but before it has pushed the microswitch leaf against the microswitch body.

When refitting the thermocouple and interrupter block, make sure that the microswitch wires are properly secured to give a good electrical contact.

17.15 To remove the gas flow rate controller.

(See [figure 46](#)).

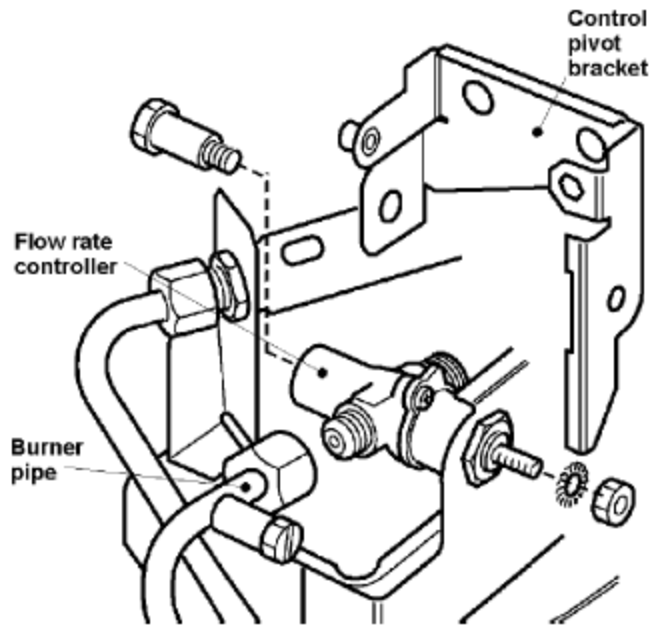


Figure 46. Flow rate controller

1. Remove the burner unit (See [section 17.11](#)).
2. If lying the burner on its back, ensure that the work surface is suitably protected. This will avoid damage to the work surface.
3. Detach the shut-off tap as detailed in [section 17.14 paragraphs 2-6](#).
4. Detach the burner pipe from the controller. Support the controller while detaching to prevent excessive strain.
5. Remove the nut and washer securing the control pivot bracket to the controller at the front. Support the pivot bracket while removing the nut to prevent possible damage to the microswitch.
6. Remove the hexagonal bolt securing the control pivot bracket to the controller at the rear.
7. Detach the control pivot bracket.
8. Remove the hexagonal nut securing the controller to the front mounting bracket and remove the flow rate controller.

Page 41

-
9. Refit in the reverse order.

17.16 To replace the burner.

(See [figure 47](#)).

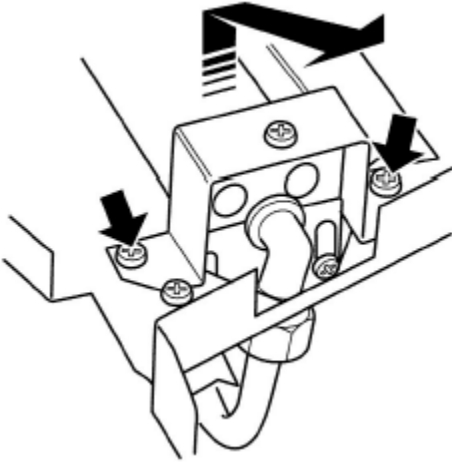


Figure 47. Removal of burner

1. Remove the burner unit (See [section 17.11](#)).
2. Support the elbow injector and unscrew the injector nut.
3. Remove the two screws from the burner clamping plate (See [figure 47](#)).
4. Lift the right hand side of the burner, slide it to the right and lift clear
5. Refit in reverse order.

17.17 To remove the main burner injector.

(See [figure 48](#)).

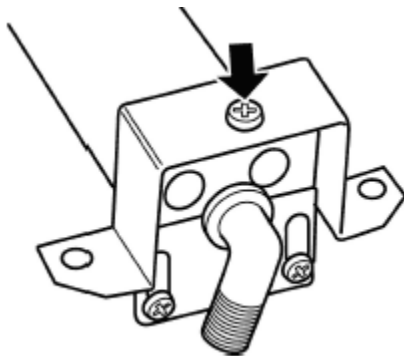


Figure 48. Main burner injector removal

1. Remove the burner (See [section 17.16](#)).

2. Remove the burner clamping screw (See [figure 48](#))
3. Unscrew the injector from the burner.
4. Refit in the reverse order.

17.18 To remove the appliance from the fireplace.

1. Remove the burner unit (See [section 17.11](#)).
2. If the fire retention is as method 1 (See section 9.1 of this guide), remove the screws.
If the fire retention is as method 2 (See section 9.2 of this guide), slacken the hexagonal adjusters on the cable retainers and unscrew the thumbscrews to release the cables.
3. Refit as described in the relevant installation sections. Make sure gas soundness, sealing, spillage test and performance are satisfactory.