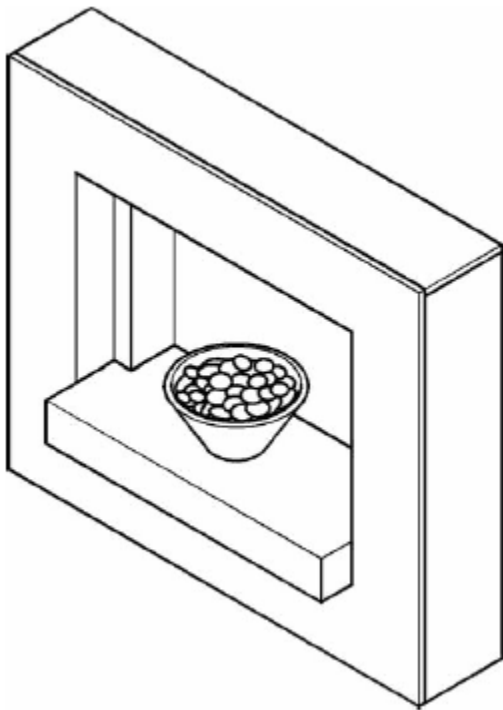


VALOR FIRES

INSTALLER AND OWNER GUIDE

Model 800



**Amaris,
Angharrad and
Xanthe**

Electric Suite

(GC No. EF-032-36)

(Suite may differ from that shown)



This guide is intended to help you install and care for your Valor Fires electric suite. Please read carefully before installing and using your suite. However, if further information is required, our **Valor Fires Technical Helpline** will be pleased to help.

Telephone **0844 8711 565** (National call rates apply in the United Kingdom).

In the Republic of Ireland Telephone **0044 844 8711 565**.



BAXI • VALOR • WONDERFIRE

Important: Please keep your guide in a safe place for future reference

© Baxi Heating U.K. Limited 2008.

Page 1

All rights reserved. No part of this publication may be reproduced in any material form (including photocopying), stored in any medium by electronic means (including in any retrieval system or database) or transmitted, in any form or by any means, whether electronic, mechanical, recording or otherwise, without the prior written permission of the copyright owner.

Applications for the copyright owner's permission to reproduce any part of this publication should be made, giving details of the proposed use, to the following address: The Company

Secretary, Baxi Heating UK Limited, The Wyvern Business Park, Stanier Way, Derby, DE21 6BF.

Warning: Any person who does any unauthorised act in relation to a copyright work may be liable to criminal prosecution and civil claims for damages.

VALOR FIRES

Valor Fires, Erdington, Birmingham B24 9QP
www.firesandstoves.co.uk

Because our policy is one of constant development and improvement, details may vary slightly from those given in this publication

Page 2

Safety First.

Valor Fires suites are CE Approved and designed to meet the appropriate British Standards and Safety Marks.



Quality and Excellence.

All Valor Fires suites are manufactured to the highest standards of quality and excellence and are manufactured under a BS EN ISO 9001 quality system accepted by the British Standards Institute.



CUSTOMER CARE

Thank you for choosing Valor Fires

All Valor Fires suites are designed to meet the most stringent quality, performance and safety requirements to provide our customers with many years of trouble free service. This guide aims to improve your understanding and appreciation of your new suite, by providing simple and informative instructions to enable you to install it and to ensure that you benefit from the excellent performance and features it has to offer. If you require further assistance, the **Valor Fires Technical Helpline** will be pleased to help.

Please telephone **0844 8711 565** (local rates apply in the United Kingdom). In the Republic of Ireland telephone **0044 844 8711 565**.

Page 3

1. HANDLING AND UNPACKING

Ensure that all packaging and protective film has been removed before using the suite.

Before continuing any further with the installation of this suite please read the following:

Important safety instructions.

- The lifting weights of the suite parts (kg) are listed below:

	<u>Surround</u>	<u>Bowl</u>	<u>Pebbles</u>
Angharrad	29.0	4.0	2.0
Amaris	29.0	4.0	2.0
Xanthe	27.5	5.0	2.0

- The suite is heavy we recommend a minimum of two people lift the suite. If for any reason this weight is considered too heavy then obtain assistance.
- When lifting always keep your back straight. Bend your legs and not your back.
- Avoid twisting at the waist. It is better to reposition your feet.
- Avoid upper body/top heavy bending. Always bend from the knees rather than the waist. Do not lean forward or sideways whilst handling the suite.
- Always grip with the palm of the hand. Do not use the tips of fingers for support.
- Always keep the suite as close to the body as possible. This will minimise the cantilever action.
- Use gloves to provide additional grip.
- Always use assistance if required.

Page 4

2. SAFETY

This suite is not intended for use by persons (including children) with reduced physical, sensory or mental capabilities, or lack of experience and knowledge, unless they have been given supervision or instruction concerning use of the appliance by a person responsible for their safety.

Always

- **Always** install the suite in accordance with this guide. If in doubt obtain expert advice.
- **Always** make sure the electrical socket is accessible and located adjacent to, but not above or behind the suite.
- **Always** disconnect the suite from the electrical supply before carrying out cleaning, maintenance or replacing the lamp.
- **Always** use a fireguard when young children, infirm persons and pet animals can come into contact with the suite.
- **Always** use genuine Valor Fires spare parts.

Never

- **Never** leave children unsupervised in a room where the suite is ON and unguarded.
- **Never** obstruct or cover the fan outlet or force items into heater openings.
- **Never** obstruct the openings in the suite; this could cause overheating and consequent risk of fire.
- **Never** install or use the suite anywhere where water is in use, i.e. Bathrooms, Kitchens, Shower Rooms, Swimming Pools etc.
- **Never** use aerosols or steam cleaners on or around the suite.
- **Never** route the electric supply cable under carpet etc.
- **Never** install the suite close to curtains or combustible materials.
- **Never** use the suite to dry clothes etc.
- **Never** sit or stand on the suite.
- **Never** use the heater with a timer switch or similar device.

Important Electrical Safety

The suite must **not** be located in front of or under an electrical socket, the socket must always be accessible in order to disconnect the suite from the electrical supply for maintenance and cleaning. The electrical socket must not be covered by the surround.

CAUTION: In order to avoid a hazard due to inadvertent resetting of the thermal cut out, this appliance must **not** be supplied through an external switching device, such as a timer, or connected to a circuit that is regularly switched on and off by the utility.

Important! This electrical components must be earthed.

- The suite is supplied with a 3 pin 13 Amp fused re-wireable plug with 1mm² 3 core cable.
- The wires in the cable are coloured in accordance with the following code:-

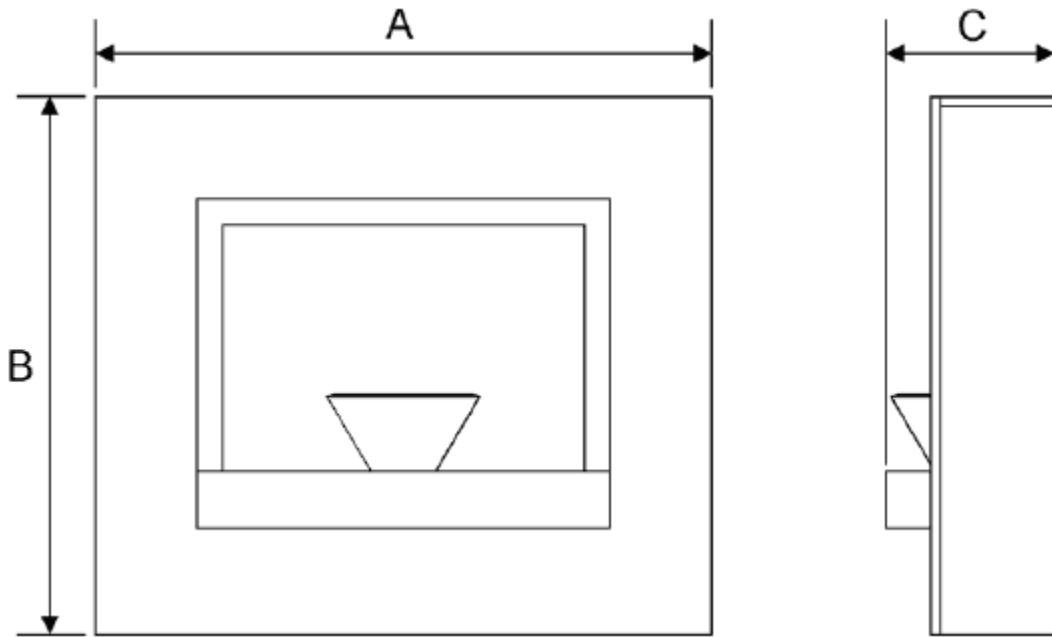
Live = Brown

Neutral = Blue

Earth = Green
/Yellow

- The electric supply must be safely routed from the suite to an electrical socket. If the electric cable is damaged, to avoid a hazard it must be replaced by a Valor Fires authorised service agent, or similarly qualified person. All external wiring between the suite and the electrical supply shall comply with current IEE regulations. Extension leads should not be used.

3. SUITE DIMENSIONS



Model	Dimension A	Dimension B	Dimension C
Xanthe	1090	950	300
Angharrad	1090	950	300

Amaris	1090	950	300
--------	------	-----	-----

Figure 1. Suite dimensions (Suite may differ from that shown)

Page 6

4. FITTING THE SUITE

The installation of this suite requires a reasonable level of DIY skills. Please read this guide thoroughly before commencing installation and if in doubt, seek help from a competent person.

Before continuing with the installation complete the back page of this guide.

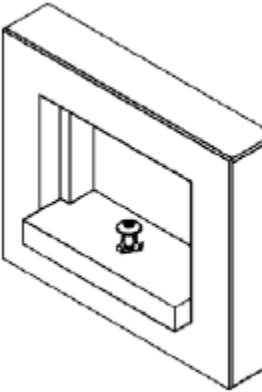

Do I need any tools?

- A Pozidrive / Phillips / cross head. This should have a number 2 size tip. This is required for securing the suite to the wall.
- If drilling into brick work you will need a power drill (preferably with hammer action) and appropriate size drill bit for the wall plugs supplied.

Securing the suite.

The contents have been identified as in [figure 2](#). Additional fixings may be required if fitting the suite to a plasterboard wall that has a wooden frame behind it. In such cases we recommend the use of heavy duty cavity fixings.

Page 7

Contents	Qty	(Illustrations are not to scale)	Contents	Qty	(Illustrations are not to scale)
Suite	1		Bag of pebbles	2	







Bowl	1		Fuel support	1	
Wall fixing bracket (Design may differ from that shown)	2		35mm long wood screw	2	
15mm long screw	4		Wall plug	2	

Figure 2. Contents (Suite, bowl and fuel support design may differ from that shown)

1. Place the wall fixing brackets as shown in [figure 3](#). Ensure that the two fixing holes in the brackets are positioned in the centre of the outside edge of the leg. The wood may split if the fixing holes are not central. Secure in place using four 15mm long screws.

2. Carefully move the suite into place. Mark the positions of the bracket holes on the wall. Move the suite aside and drill suitable sized holes for the wall plugs* supplied. Insert the wall plugs. Position the assembly and secure using two wood screws.

* Note: The wall plugs are only suitable for brick or block walls. For timber framed walls covered in plaster board we recommend the use of heavy duty cavity fixings.

Please note that once fitted, we do not recommend that the wall brackets are hidden or covered during decoration. If the suite requires maintenance or servicing it will be necessary to remove the suite from the wall.

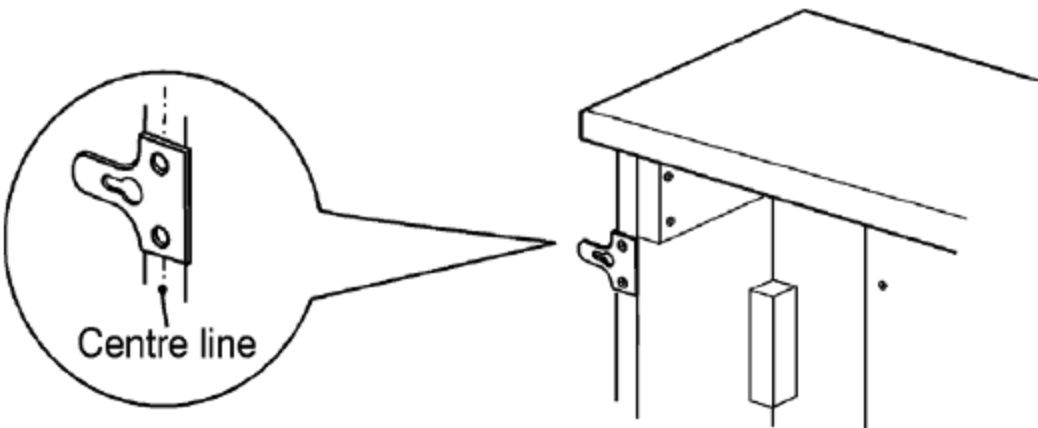


Figure 3. Securing the suite (Bracket design may differ from that shown)

Fitting the Bowl, Fuel support and pebbles.

1. Locate the hole in the base of the bowl over the three location points around the lamp (See [figure 4](#)).

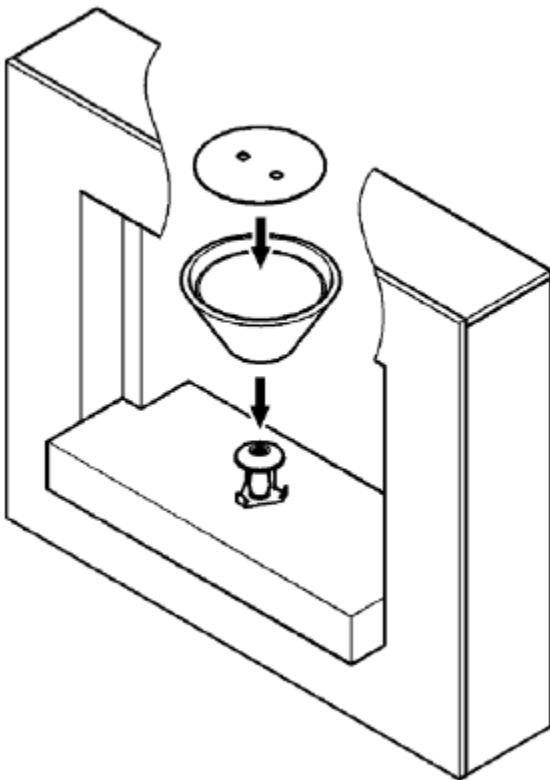


Figure 4. (Suite and bowl design may differ from that shown)

2. Place the fuel support into the top of the bowl as in [figure 4](#).
3. Place the pebbles on top of the fuel support. It is not necessary to use all the pebbles supplied. Ensure that the pebbles or any of their edges do not enter the hole in the centre of the fuel support as this may prevent the spinner above the lamp from turning.

Important notes.

- **The pebbles are for decorative purposes only. There is a choke risk to young children. Make sure they cannot gain access to them.**

Page 9

5. USING THE SUITE

Important Safety

Never cover the suite or obstruct the openings at the top of the suite, this could cause overheating and consequent risk of fire.

What are the three switches for?

The heater and effect are operated by three switches located on the underside of the top shelf of the suite.

Switch 1 =



Main On - Off. (In the 'ON' position, only the flame effect operates)

Switch 2 =



1kW fan heat setting and flame effect. (Switch 1 needs to be in the 'ON' position to enable switch 2 to operate).

Switch 3 =



2kW fan heat setting and flame effect. (Switches 1 & 2 need to be in the 'ON' position to enable switch 3 to operate).

6. CLEANING AND MAINTAINING THE SUITE

How do I clean my suite?

The suite and bowl need only to be wiped clean with a dry soft cloth, do not use polishes or abrasive materials.

I have a problem with my suite!

Important Safety

Before undertaking maintenance or replacing the lamp always disconnect the suite from the electricity supply by removing the 3 pin plug and allowing the heater at the top of the suite to cool completely.

1. My suite is on but there is no light.

This is possibly a lamp failure. Remove the lamp as follows and check it in a table lamp that is known to work. If it does not work in the table lamp then replace as below.

The lamp fitted to this suite is a standard clear 40 Watt (maximum) candle, B22 (Bayonet fitting), 230V, but due to the indeterminate life span and ease of replacement, they are specifically excluded from the guarantee.

Page 10

To replace the lamp.

- 1.** To gain access to the lamp, remove the loose pebbles from the fuel support and place them onto an old newspaper or plastic bag. This will prevent them from marking the surface.
- 2.** Hold the sides of the bowl and gently lift clear of its location points.
- 3.** Gently press the lamp and turn counterclockwise to remove. Replace the lamp.
- 4.** Refit the bowl, fuel support and pebbles. Ensure that the pebbles or any of their edges do not enter the hole in the centre of the fuel support as this may prevent the spinner above the lamp from turning.

2. My suite is on but there is no light or heat.

The first thing to do is check the wall socket. To do this plug in a known working appliance. If the appliance you have plugged in works then there is a good chance that the problem lies with the 13 Amp fuse in the suite plug. If either fuse or socket is suspected, have them checked by an electrician.

3. My suite is on but there is no heat.

A cut out device is fitted to the heater to prevent damage due to over heating. If it operates due to an obstruction in the airflow, the heater must be turned off and allowed to cool for 15 minutes and the obstruction removed before restarting.

4. I Have a problem that is different to those in the previous examples 1- 3.

For general advice about your suite:

VALOR FIRES TECHNICAL 0844 8711 565.
HELPLINE

CALLERS IN THE REPUBLIC OF IRELAND

Call **0044 844 8711 565.**

7. ENVIRONMENT

What should I do when I'm ready to dispose of my suite?

The plug should be removed from the mains supply cable and the mains supply cable cut from the suite.

Environmental Protection.



Waste electrical products should not be disposed of with household waste.
Please recycle where facilities exist. Check with your local authority or retailer for recycling advice.

Page 11

8. WARRANTY AND SERVICE

Information for the customer

Standard Warranty Terms & Conditions

The warranty is for 12 months subject to contract.

In the United Kingdom servicing can be carried out either by a **heateam** service engineer or a suitably qualified person.

You must register your suite with **heateam**, the service division of Baxi Heating UK Limited, either by completing and returning the registration card or calling our free telephone registration line on **0800 032 72 44**.

Our promise to you

If you experience a fault with your new suite, we aim to provide a safe and high quality repair service supported by our dedicated national network of highly skilled engineers. Nothing in this warranty will affect your statutory rights.

What you need to do if you experience a problem with the operation of the suite;

Read [section 5](#) of this guide "Cleaning and maintaining the suite". If the problem cannot be resolved simply call our service division **heateam** on **08706 090 081** to book an engineer visit or for any general advice that you may need. Our contact centre is open Monday to Friday 8am – 6pm, weekends and Bank Holidays 8.30am – 2pm, excluding Christmas Day and New Years day.

When calling **heateam**, it would be helpful if you could have the following information to hand:-

1. Suite serial number.
2. Suite brand and model number.
3. Date of installation.
4. Proof of purchase (If you do not have the suite serial number)

Note: details 1 – 3 can be found on the last page of this guide.

What this warranty covers

Free of charge repair or replacement of components found to be of faulty manufacture.

Free of charge replacement of the complete unit providing the failure is related to a manufacturing fault that cannot be repaired or is uneconomic to repair.

Page 12

What this warranty does not cover

Repairs to suites which haven't been installed properly and as set out in this guide.

Faults caused by inadequate supply of electricity.

Reimbursement of any third party repair or replacement costs that we haven't been told about or agreed with you in advance.

Compensation or consequential losses (e.g. loss of earnings, business losses, stress and inconvenience) arising from a production breakdown, including repair delays caused by factors outside our reasonable control.

Page 13

To be completed by the customer:

Model

8 0 0

Serial number (Can be found on the information label - See [figure 5](#))

□ □ □ □ □ □ □ □ □ □ □ □ □ □

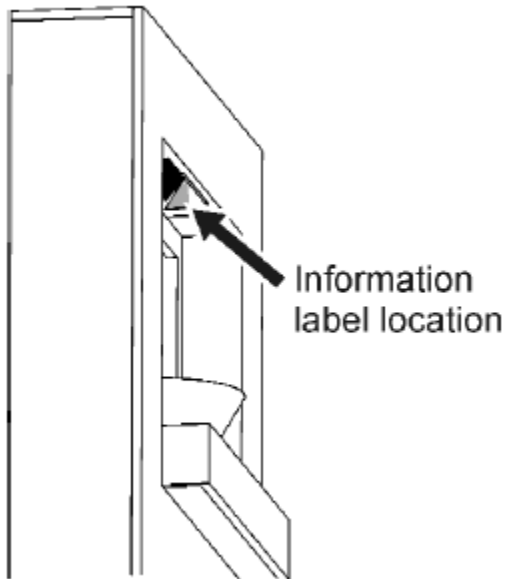


Figure 5. Information label location

A LABEL CONTAINING THE SERIAL NUMBER
MAY HAVE
BEEN PLACED INSIDE THIS BOX.

Suite name - Can be found on the information label (Block Capitals)

Brand (Please tick)

Baxi

Valor

Wonderfire

Other.....

Date of Installation

D D M M Y Y

Page 15

VALOR FIRES

Page 16