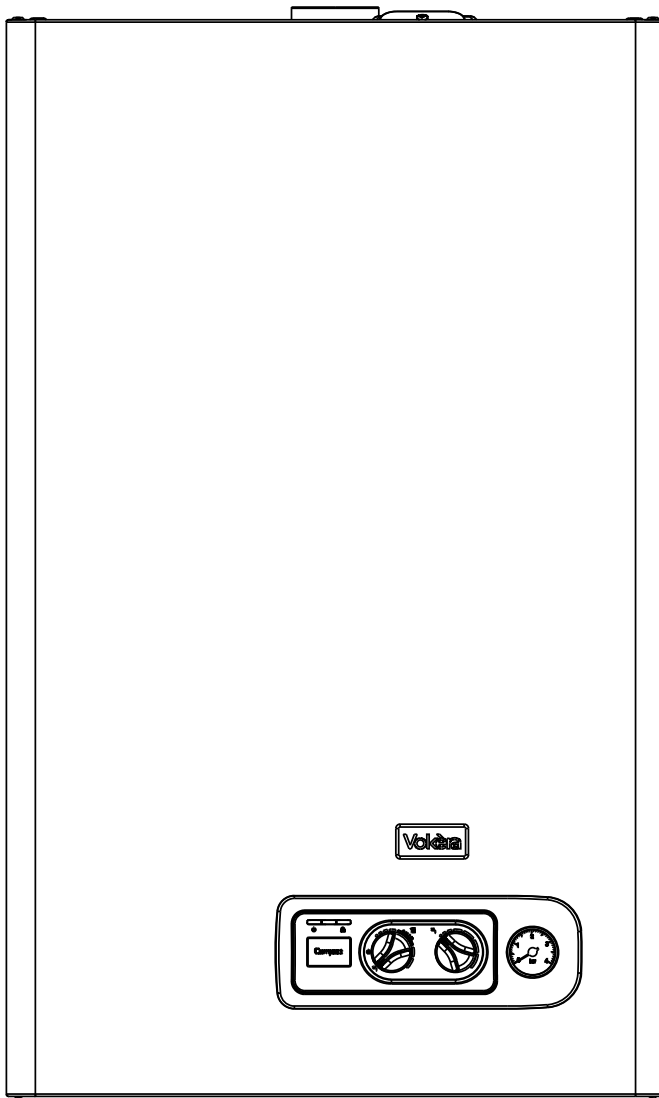


Compact 28 SE

High efficiency combi boiler



Users Instructions

**Installation &
Servicing
Instructions**



THESE INSTRUCTIONS
TO BE RETAINED
BY USER



Vokèra is a licensed member of the Benchmark scheme which aims to improve the standards of installation and commissioning of domestic hot water systems in the UK.

Users instructions

| Things you should know | | Page |
|-------------------------------|------------------------------|-------------|
| 1.1 | Gas appliances | 1 |
| 1.2 | Electrical supply | 1 |
| 1.3 | Guarantee registration card | 1 |
| 1.4 | Appliance Log Book (UK only) | 1 |
| 1.5 | How does it work? | 1 |
| 1.6 | Dimensions | 1 |
| 1.7 | Clearances required | 1 |
| 1.8 | Frost protection system | 1 |
| 1.9 | Appliance status indicators | 1 |

| Getting started | | Page |
|------------------------|-------------------------------------|-------------|
| 2.1 | Before switching ON | 3 |
| 2.2 | Appliance controls | 3 |
| 2.3 | Lighting the boiler | 3 |
| 2.4 | Adjusting the heating temperature | 3 |
| 2.5 | Adjusting the hot water temperature | 3 |
| 2.6 | Explanation of features | 3 |
| 2.7 | Automatic temperature control | 3 |

| How to... | | Page |
|------------------|---|-------------|
| 3.1 | How to top-up the system pressure | 3 |
| 3.2 | How to reset the appliance | 3 |
| 3.3 | How to shut down the system for short periods | 3 |
| 3.4 | How to shut down the system for long periods | 3 |
| 3.5 | How to care for the appliance | 3 |

| What if... | | Page |
|-------------------|---|-------------|
| 4.1 | What if I suspect a gas leak | 4 |
| 4.2 | What if I have frequently top-up the system | 4 |
| 4.3 | What if the appliance is due its annual service | 4 |
| 4.4 | What if I need to call an engineer | 4 |

| Setting the Vokèra | | Page |
|---------------------------|-------------------------------------|-------------|
| 5.1 | Setting the Vokèra mechanical clock | 4 |

Installation and Servicing instructions

| Design principles & operating sequence | | Page |
|---|-------------------------------|-------------|
| 1.1 | Principle components | 6 |
| 1.2 | Mode of operation (at rest) | 6 |
| 1.3 | Mode of operation (heating) | 6 |
| 1.4 | Mode of operation (Hot water) | 6 |
| 1.5 | Safety devices | 6 |

| Technical data | | Page |
|-----------------------|---------------------------|-------------|
| 2.1 | Central heating | 7 |
| 2.2 | Domestic hot water | 7 |
| 2.3 | Gas pressures | 7 |
| 2.4 | Expansion vessel | 7 |
| 2.5 | Dimensions | 7 |
| 2.6 | Clearances | 7 |
| 2.7 | Connections | 7 |
| 2.8 | Electrical | 7 |
| 2.9 | Flue details (concentric) | 7 |
| 2.9A | Flue details (twin pipes) | 7 |
| 2.9B | Flue details (80/125) | 7 |
| 2.10 | Efficiency | 7 |
| 2.11 | Emissions | 7 |
| 2.12 | Pump duty | 8 |

| General requirements (UK) | | Page |
|----------------------------------|-----------------------------------|-------------|
| 3.1 | Related documents | 9 |
| 3.2 | Location of appliance | 9 |
| 3.3 | Gas supply | 9 |
| 3.4 | Flue system | 9 |
| 3.5 | Air supply | 9 |
| 3.6 | Water circulation | 9 |
| 3.7 | Electrical supply | 10 |
| 3.8 | Mounting on a combustible surface | 10 |
| 3.9 | Timber framed buildings | 10 |
| 3.10 | Inhibitors | 10 |
| 3.11 | Showers | 10 |

| General requirements (EIRE) | | Page |
|------------------------------------|-----------------------------------|-------------|
| 3A.1 | Related documents | 10 |
| 3A.2 | Location of appliance | 10 |
| 3A.3 | Gas supply | 10 |
| 3A.4 | Flue system | 10 |
| 3A.5 | Air supply | 11 |
| 3A.6 | Water circulation | 11 |
| 3A.7 | Electrical supply | 11 |
| 3A.8 | Mounting on a combustible surface | 11 |
| 3A.9 | Timber framed buildings | 11 |
| 3A.10 | Inhibitors | 11 |
| 3A.11 | Showers | 11 |
| 3A.12 | Declaration of conformity | 11 |

| Installation | | Page |
|---------------------|--|-------------|
| 4.1 | Delivery | 12 |
| 4.2 | Contents | 12 |
| 4.3 | Unpacking | 12 |
| 4.4 | Preparation for mounting the appliance | 12 |
| 4.5 | Fitting the flue | 12 |
| 4.6 | Connecting the gas & water | 15 |
| 4.7 | Electrical connections | 16 |

| Commissioning | | Page |
|----------------------|---|-------------|
| 5.1 | Gas supply installation | 17 |
| 5.2 | The heating system | 17 |
| 5.3 | Initial filling of the system | 17 |
| 5.4 | Initial flushing of the system | 17 |
| 5.5 | Pre-operation checks | 17 |
| 5.6 | Initial lighting | 17 |
| 5.7 | Checking gas pressure & combustion analysis | 17 |
| 5.8 | Final flushing of the heating system | 17 |
| 5.9 | Setting the boiler operating temperature | 17 |
| 5.10 | Setting the system design pressure | 17 |
| 5.11 | Regulating the central heating system | 18 |
| 5.12 | Final checks | 18 |
| 5.13 | Instructing the user | 18 |

| Servicing | | Page |
|------------------|------------------------------------|-------------|
| 6.1 | General | 18 |
| 6.2 | Routine annual servicing | 18 |
| 6.3 | Replacement of components | 18 |
| 6.4 | Component removal procedure | 18 |
| 6.5 | Pump assembly | 19 |
| 6.6 | Safety valve | 19 |
| 6.7 | Lower automatic air release valves | 19 |
| 6.8 | Water pressure switch | 19 |
| 6.9 | Flow thermistor | 19 |
| 6.10 | Return thermistor | 19 |
| 6.11 | Printed circuit board | 19 |
| 6.12 | Gas valve | 20 |
| 6.13 | Electrodes | 20 |
| 6.14 | Flue fan | 20 |
| 6.15 | Burner | 20 |
| 6.16 | Main heat exchanger | 21 |
| 6.17 | Automatic by-pass | 21 |
| 6.18 | Expansion vessel removal | 21 |

| Checks, adjustments and fault finding | | Page |
|--|--|-------------|
| 7.1 | Checking appliance operation | 23 |
| 7.2 | Appliance modes of operation | 23 |
| 7.3 | Checking the CO ₂ & adjusting the valve | 23 |
| 7.4 | Combustion analysis test | 24 |
| 7.5 | Checking the expansion vessel | 24 |
| 7.6 | External faults | 24 |
| 7.7 | Electrical checks | 24 |
| 7.8 | Fault finding | 25 |
| 7.9 | Component values & characteristics | 25 |

| Wiring diagrams | | Page |
|------------------------|------------------------------|-------------|
| 8.1 | External wiring | 26 |
| 8.2 | Typical control applications | 26 |
| 8.3 | Other devices | 26 |

| Exploded diagrams | | Page |
|--------------------------|---------|-------------|
| 9.1 | Table 1 | 28 |
| 9.2 | Table 2 | 29 |
| 9.3 | Table 3 | 30 |
| 9.4 | Table 4 | 31 |
| 9.5 | Table 5 | 32 |

| L.P.G. instructions | | Page |
|----------------------------|--|-------------|
| 10.1 | Related documents | 33 |
| 10.2 | Technical data | 33 |
| 10.3 | Converting the appliance gas type | 33 |
| 10.4 | Gas supply | 33 |
| 10.5 | Gas supply installation | 33 |
| 10.6 | Checking the CO ₂ and adjusting the gas valve | 33 |

| | |
|------------------|-------|
| Benchmark | 35-36 |
|------------------|-------|

USERS INSTRUCTIONS

INTRODUCTION

Dear Customer

Your Vokèra Compact SE boiler has been designed to meet and exceed the very latest standards in gas central heating technology, and if cared for, will give years of reliable use and efficiency. Please therefore take some time to read these instructions carefully.

Do's and Don't's

- **Do** ensure that the system pressure is periodically checked
- **Do** ensure that the boiler should not be used by children or unassisted disabled people
- **Do** ensure that you know how to isolate the appliance in an emergency
- **Do** ensure that you are familiar with the appliance controls
- **Do** ensure that your installer has completed the appliance log book section
- **Do not** attempt to remove the appliance casing or gain internal access
- **Do not** hang clothes etc. over the appliance
- **Do not** forget to have the appliance serviced annually.

This booklet is an integral part of the appliance. It is therefore necessary to ensure that the booklet is handed to the person responsible for the property in which the appliance is located/installed. A replacement copy can be obtained from Vokèra customer services.

1. THINGS YOU SHOULD KNOW

1.1 GAS APPLIANCES

Gas Safety (Installations and Use) Regulations (UK).

In the interests of your safety and that of others it is a legal requirement that all gas appliances are installed and correctly maintained by a competent person and in accordance with the latest regulations.

1.2 ELECTRICAL SUPPLY

Please ensure that this appliance has been properly connected to the electrical supply by means of a double pole isolator or un-switched socket, and that the correct size of fuse (3 AMP) has been fitted.

Warning: this appliance must be earthed!

1.3 GUARANTEE REGISTRATION CARD

Please take the time to fill out your guarantee registration card. The completed warranty card should be posted within 30 days of installation.

1.4 APPLIANCE LOG BOOK (UK only)

A logbook section can be found at the rear of the appliance installation booklet. This important document must be completed during the installation/commissioning of your boiler. All GAS SAFE registered installers carry a GAS SAFE ID card, and have a registration number. These details should be recorded in the Benchmark logbook section within the installation booklet. You can check your installers details by calling GAS SAFE direct on 08004085500. Failure to install and commission the appliance in accordance with the manufacturers instructions may invalidate the warranty. This does not affect your statutory rights.

1.5 HOW DOES IT WORK?

Your Compact SE boiler supplies heated water to your radiators and hot water to your hot water taps.

The central heating is controlled via a time clock and any thermostats that your installer may have fitted. The boiler will light when it receives a request from the time clock via any thermostat that may be installed, or whenever a hot water outlet (tap) is opened.

Your Compact SE boiler lights electronically and does not have a pilot light.

In the unlikely event of a fault developing with your boiler, the supply of gas to the burner will be terminated automatically.

1.6 DIMENSIONS

| Compact 24 SE | |
|---------------|--------|
| HEIGHT | 715 mm |
| WIDTH | 405 mm |
| DEPTH | 248 mm |

1.7 CLEARANCES REQUIRED

| | |
|------------|--------|
| ABOVE | 150 mm |
| BELOW | 150 mm |
| LEFT SIDE | 12 mm |
| RIGHT SIDE | 12 mm |
| FRONT | 600 mm |

1.8 FROST PROTECTION SYSTEM

The Compact SE is equipped with a built-in frost protection system, this enables the boiler to over-ride the time controls – even if switched off – and operate the burner and/or pump, should the temperature drop below 5°C for the main and for the DHW line. In particular the burner will be in ON status until the main temperature reaches 35°C for CH appliance and 55°C for DHW appliance.

Please note that the frost protection system is designed to protect the appliance only, should frost protection be required for the heating system, additional controls may be required.

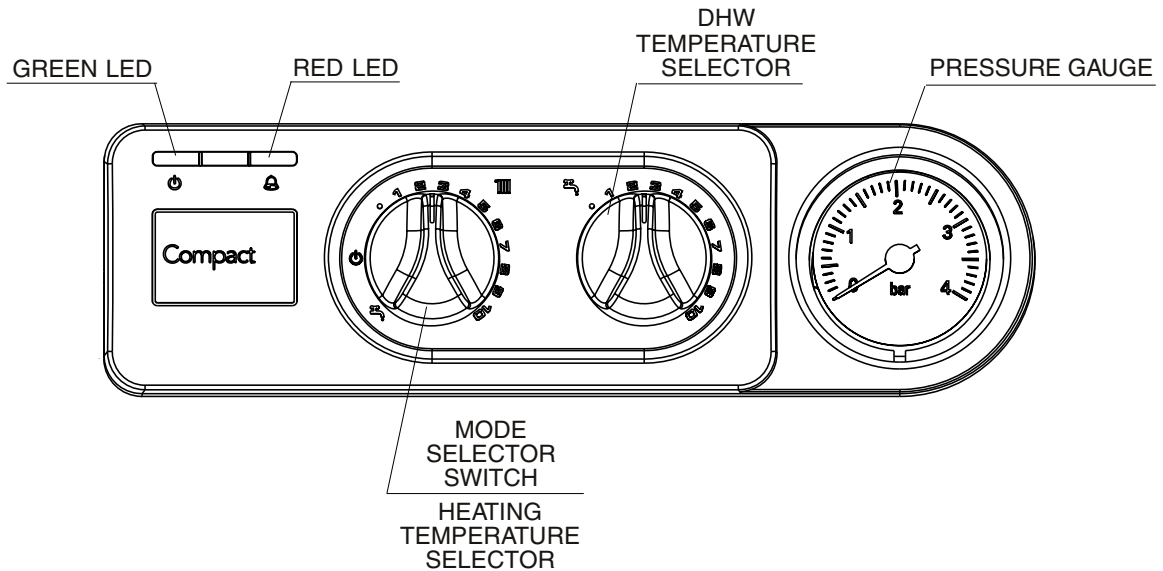
NOTE

The frost protection system is reliant on the appliance having a permanent electrical supply, and being in a non-fault condition.

1.9 APPLIANCE STATUS INDICATORS

Your boiler is equipped with 2 status LED indicators, the Green LED indicates that the flame is present, the Red LED indicates the appliance has detected a fault.

Fig. 1



BOILER STATUS LED

Green LED Boiler is working/responding to a heating/hot water request

Red LED Boiler has identified a fault and has failed-safe. Refer to instructions on how to reset

DHW TEMPERATURE SELECTOR


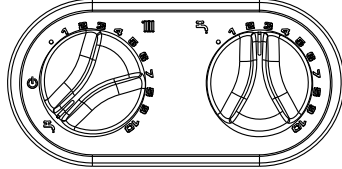

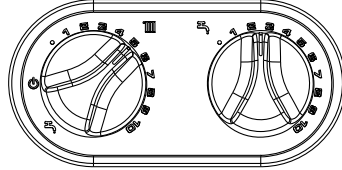

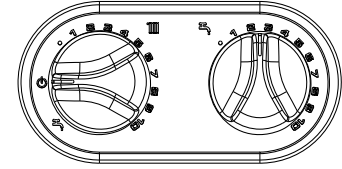

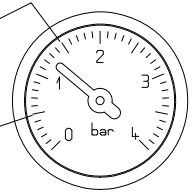
Move the selector clockwise to increase the hot water outlet temperature, or counter-clockwise to reduce the temperature

PRESSURE GAUGE

Ensure the system pressure is set correctly (minimum 0.5-bar)

MODE SELECTOR SWITCH/HEATING TEMPERATURE SELECTOR

Mode selector switch:

| | |
|--|---|
| <p> Hot water only - Select this position if you want the boiler to supply hot water only (no heating)</p> <p>Hot water temperature selector: move the selector clockwise to increase the heating outlet temperature, or counter-clockwise to reduce the temperature (range: 37°C-60°C)</p> |  |
| <p> Heating & hot water - Select this position when you want the boiler to respond to a heating and hot water request from the time-clock programmer</p> <p>Heating temperature selector: move the selector clockwise to increase the heating outlet temperature, or counter-clockwise to reduce the temperature (range: 40°C-80°C for standard central heating). The automatic temperature control function (SARA) is set within position 4 and 6.</p> |  |
| <p> Boiler at OFF/standby - Select this position when you want the boiler to be switched off for short periods (days) or if the boiler requires to be reset</p> |  |
| <p> Pressure gauge shows the current pressure of your heating system, the gauge should be set between 1 and 1.5 BAR. When the appliance is operating the gauge may rise or fall slightly, this is quite normal. The minimum permissible level for the safe and efficient operation of the appliance is 0.5 BAR. Should the pressure fall below 0.5 BAR, the boiler may lockout.</p> | <p>correct pressure value</p>  |

2. GETTING STARTED

2.1 BEFORE SWITCHING ON

Before switching the appliance on, please familiarise yourself with:

- how to isolate the appliance from the gas, water, and electricity supplies;
- how to check and top-up – if necessary – the system water pressure;
- the time clock or programmer (if fitted);
- any external thermostats and their functions;
- the appliance controls.

2.2 APPLIANCE CONTROLS (see fig. 1)

The appliance controls are situated on the lower front of the appliance. The appliance controls include:

- pressure gauge;
- appliance mode selector;
- temperature selector;
- burner ON mode (green);
- fault indicator (red);
- servicing mode indicator (red+yellow)
- optional integral time clock/programmer (if fitted).

NOTE

The appliance frost protection is active in all the boiler modes. The **temperature selectors** can be used to vary the temperature of the water that circulates around your radiators and the water that flows from your hot water taps. The temperature range is adjustable between 40°C and 80°C for the central heating, and between 37°C and 60°C for the hot water.

When the **status indicator (Green) is lit** it indicates that the flame is present and the burner is ON.

When the **fault indicator (Red) is lit** it indicates that the appliance has identified a possible fault and performed a safety lockout.

The **integral time clock (when fitted)** can be used to switch the heating on and off at pre-determined intervals.

2.3 LIGHTING THE BOILER

Ensure the gas and electrical supply to the boiler are turned on.

Turn the mode selector switch to the **ON** position. When there is a request for heating or hot water via the time clock or programmer, the boiler will begin an ignition sequence. When the appliance reaches the CH set temperature, the burner will go off for a minimum period of approximately 3 minutes.

When the programmer/time clock or external thermostats heating request has been satisfied, the appliance will switch off automatically.

2.4 ADJUSTING THE HEATING TEMPERATURE

Rotate the temperature selector – clockwise to increase, counter-clockwise to decrease – to the desired temperature setting. The temperature can be set from a minimum of 40°C to a maximum of 80°C (if standard CH mode is selected).

2.5 ADJUSTING THE HOT WATER TEMPERATURE

Rotate the temperature selector – clockwise to increase, counter-clockwise to decrease – to the desired temperature setting. The temperature can be set from a minimum of 37°C to a maximum of 60°C. If the temperature at the outlet is still not sufficiently hot enough, it may be necessary to reduce the flow of water at the hot water outlet (tap).

NOTE

If the appliance fails to ignite during the ignition sequence, it will enter a lockout condition. Should this occur, please allow a period of at least two minutes before re-setting the appliance.

2.6 EXPLANATION OF FEATURES

Although the Vokèra Compact SE has been designed for simplicity of use, it utilises the latest in boiler technology, enabling a host of functions to be carried out simultaneously.

2.7 AUTOMATIC TEMPERATURE CONTROL

The automatic temperature control function (SARA), permits the boiler (when the heating temperature selector is set within 4 and 6 sector) to automatically adjust (raise) the heating.

The activation and the disable of the function is visualized by blinking the green led.


3. HOWTO...

3.1 HOW TO TOP-UP THE SYSTEM PRESSURE (fig. 1-2)

The system pressure must be checked periodically to ensure the correct operation of the boiler. The needle on the gauge should be reading between 1 and 1.5 BAR when the boiler is in an off position and has cooled to room temperature. If the pressure requires 'topping-up' use the following instructions as a guide.

- Locate the filling valve connections (usually beneath the boiler, see fig. 2).
- Attach the filling loop to both connections.
- Open the filling valve slowly until you hear water entering the system.
- Close the filling valve when the pressure gauge (on the boiler) reads between 1 and 1.5 BAR (see fig. 1).
- Remove the filling loop from the connections.

3.2 HOW TO RESET THE APPLIANCE

When the red fault LED is illuminated, the appliance will require to be reset manually. Before resetting the boiler, check what action is required to be taken, using the information on the fault code table below. Allow a period of two minutes to elapse before rotate the mode selector knob across the  position (see fig. 1).

IMPORTANT

If the appliance requires to be reset frequently, it may be indicative of a fault, please contact your installer or Vokèra Customer Services for further advice.

3.3 HOW TO SHUT DOWN THE SYSTEM FOR SHORT PERIODS

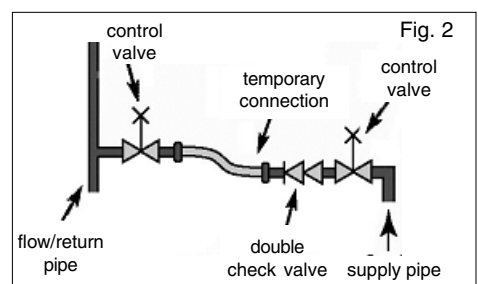
The system and boiler can be shut down for short periods by simply turning the time clock to the off position. It is also advisable to turn off the main water supply to the house.

3.4 HOW TO SHUT DOWN THE SYSTEM FOR LONG PERIODS

If the house is to be left unoccupied for any length of time – especially during the winter – the system should be thoroughly drained of all water. The gas, water, and electricity supply to the house should also be turned off. For more detailed advice contact your installer.

3.5 HOW TO CARE FOR THE APPLIANCE

To clean the outer casing use only a clean damp cloth. Do not use any scourers or abrasive cleaners.



APPLIANCE STATUS LED AND FAULT CODES

| | Alarm type | Led RED | Led GREEN | Action |
|---|------------|----------|-----------|---|
| Purge cycle mode active | NA | BLINKING | BLINKING | |
| Alarm high limit thermostat | Final | BLINKING | OFF | Reset appliance. Call engineer if fault re-occurs |
| Alarm system water pressure | Final | ON | ON | Check/refill system pressure, reset, check. Call engineer if fault re-occurs |
| Alarm safety shutdown and/or internal fault | Final | ON | OFF | Reset appliance. Call engineer if fault re-occurs |
| Temporary fault | Temporary | OFF | BLINKING | None |
| Service operation | NA | BLINKING | BLINKING | None |
| Flame ON | NA | OFF | ON | None |
| Fault sensors DHW | Final | BLINKING | BLINKING | Reset appliance. Call engineer if fault re-occurs |
| Fault sensors CH | Final | ON | OFF | Reset appliance. Call engineer if fault re-occurs |
| Boiler stand-by | NA | OFF | BLINKING | None |

4. WHAT IF...

4.1 WHAT IF I SUSPECT A GAS LEAK

If you suspect a gas leak, turn off the gas supply at the gas meter and contact your installer or local gas supplier. If you require further advice please contact your nearest Vokèra office.

4.2 WHAT IF I HAVE FREQUENTLY TO TOP-UP THE SYSTEM

If the system regularly requires topping-up, it may be indicative of a leak. Please contact your installer and ask him to inspect the system.

4.3 WHAT IF THE APPLIANCE IS DUE ITS ANNUAL SERVICE

Advice for tenants only

Your landlord should arrange for servicing.

Advice for homeowners

Please contact Vokèra Customer Service (**0844 3910999 (UK)** or **056 7755057 (ROI)** if you would prefer a Vokèra service engineer or agent to service your appliance. Alternatively your local GAS SAFE registered engineer may be able to service the appliance for you.

4.4 - WHAT IF I NEED TO CALL AN ENGINEER

If you think your boiler may have developed a fault, please contact your installer or Vokèra Customer Services (**0844 3910999 (UK)** or **056 7755057 (ROI)** have all your details to hand including full address and postcode, relevant contact numbers, and your completed appliance log book.

INSTALLATION AND SERVICING INSTRUCTIONS

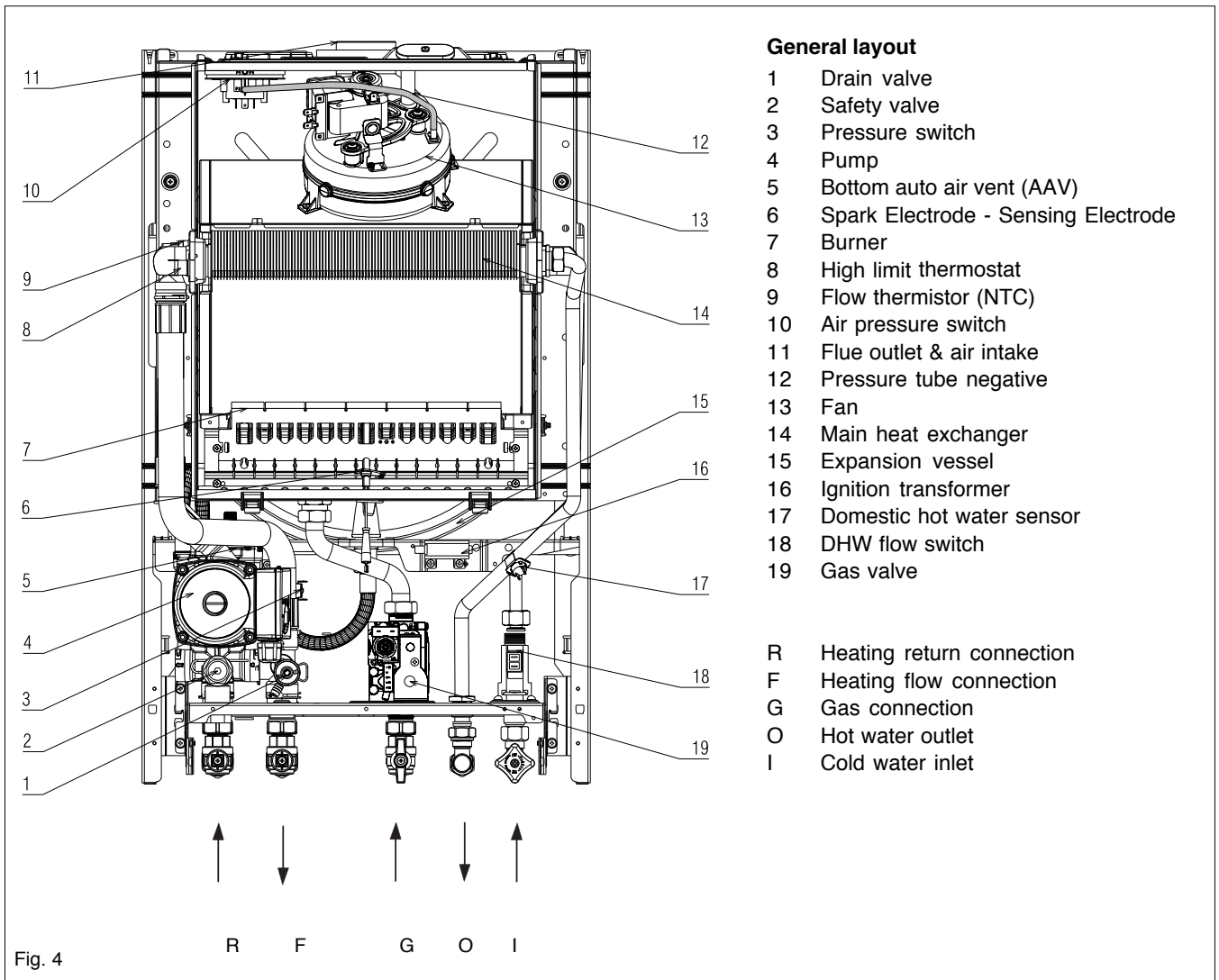
INTRODUCTION

The Compact 28 SE is a standard-efficiency combination boiler with an output to CH & DHW of 28kW. This appliance – by design – incorporates electronic ignition, circulating pump, expansion vessel, safety valve, pressure gauge and automatic by-pass.

The Compact 28 SE is produced as room a sealed, category II2H3+ appliance, suitable for internal wall mounting applications only. Each appliance is provided with a fan powered flue outlet with an annular co-axial combustion air intake that can be rotated – horizontally – through 360 degrees for various

horizontal or vertical applications. The Compact 28 SE can also be used with the Vokèra twin flue system. The Compact 28 SE is approved for use with C12-C32 type flue applications. This appliance is designed for use with a sealed system only; consequently they are not intended for use on open vented systems.

This booklet is an integral part of the appliance. It is therefore necessary to ensure that the booklet is handed to the person responsible for the property in which the appliance is located/installed. A replacement copy can be obtained from Vokèra customer services



SECTION 1 - DESIGN PRINCIPLES AND OPERATING SEQUENCE

1.1 PRINCIPLE COMPONENTS

- A fully integrated electronic control board featuring electronic temperature control, anti-cycle control, pump over-run, self diagnostic fault indicator
- Heat exchanger
- Electronic ignition with flame supervision
- Pump
- Fan
- Expansion vessel
- Water pressure switch
- Pressure gauge
- Safety valve

1.2 MODE OF OPERATION (at rest)

When the appliance is at rest and there are no requests for heating or hot water, the following functions are active:

- frost-protection system – the frost-protection system protects the appliance against the risk of frost damage, if the primary temperature falls to 5°C, the appliance will function on minimum power until the temperature on main reaches 35°C.
- anti-block function – the anti-block function enables the pump to be energised for short periods, when the appliance has been inactive for more than 24-hours.

1.3 MODE OF OPERATION (Heating)

When there is a request for heat via the time clock and/or any external control, the pump and fan are started, the fan speed will modulate until the correct signal voltage is received at the control PCB. At this point an ignition sequence is enabled. Ignition is sensed by the electronic circuit to ensure flame stability at the burner. Once successful ignition has been achieved, the electronic circuitry increases the gas rate to 75% for a period of 15 minutes. Thereafter, the boiler's output will either be increase to maximum or modulate to suit the set requirement. When the appliance reaches the desired temperature the burner will shut down and the boiler will perform a three-minute anti-cycle (timer delay).

When the request for heat has been satisfied the appliance pump and fan may continue to operate to dissipate any residual heat within the appliance.

1.4 MODE OF OPERATION (Hot water)

When there is a request for DHW via a hot water outlet or tap, the fan is started, the air pressure switch will give the signal voltage to the control PCB. At this point an ignition sequence is enabled. Ignition is sensed by the electronic circuit to ensure flame stability at the burner. Once successful ignition has been achieved, the electronic circuitry increases the gas rate to maximum or will modulate output to stabilise the temperature. In the event of the appliance exceeding the desired temperature (set point) the burner will shut down until the temperature drops. When the request for DHW has been satisfied the appliance pump and fan may continue to operate to dissipate any residual heat within the appliance.

1.5 SAFETY DEVICES

When the appliance is in use, safe operation is ensured by:

- a water pressure switch that monitors system water pressure and will de-activate the pump, fan, and burner should the system water pressure drop below the rated tolerance;
- air pressure switch to ensure safe operation of the burner;
- a high limit thermostat that over-rides the temperature control circuit to prevent or interrupt the operation of the burner;
- flame sensor that will shut down the burner when no flame signal is detected;
- a safety valve which releases excess pressure from the primary circuit.

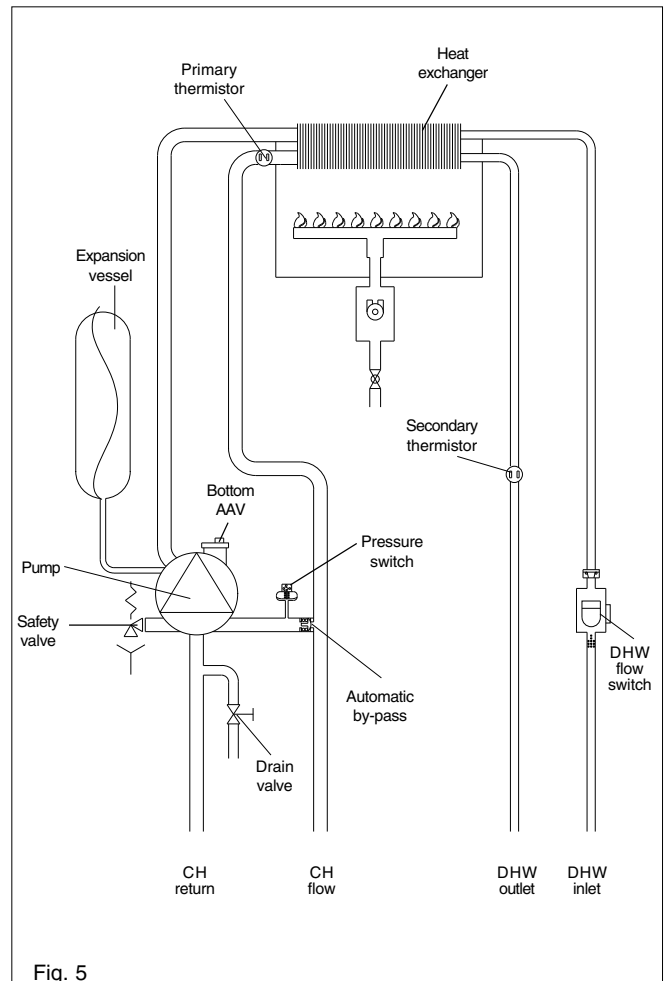


Fig. 5

SECTION 2 - TECHNICAL DATA

| | |
|---|--|
| 2.1 Central Heating | Compact 28 SE |
| Heat input (kW) | 30.20 |
| Maximum heat output (kW) 60/80°C | 28.24 |
| Minimum working pressure | 0.25-0.45 bar |
| Maximum working pressure | 3 bar |
| Minimum flow rate | 350 l/h |
| 2.2 Domestic Hot Water | Compact 28 SE |
| Heat input (kW) | 30.20 |
| Flow Rate: $\Delta T 35^{\circ}\text{C}$ | 11.6 l/min |
| Maximum inlet pressure | 6 bar |
| Minimum inlet pressure | 0.15 bar |
| Minimum flow rate | 2 l/min |
| 2.3 Gas Pressures | Compact 28 SE |
| Inlet pressure (G20) | 20.0 mbar |
| Maximum burner pressure (mbar) | 9.7 |
| Minimum burner pressure (mbar) | 1.9 |
| Heating maximum gas rate (m ³ /hr) | 3.19 |
| Minimum gas rate (m ³ /hr) | 1.34 |
| Injector size (mm) | 1.35 |
| 2.4 Expansion Vessel | Compact 28 SE |
| Capacity | 8 litres |
| Maximum system volume | 74 litres |
| Pre-charge pressure | 1 bar |
| 2.5 Dimensions | Compact 28 SE |
| Height (mm) | 780 |
| Width (mm) | 450 |
| Depth (mm) | 328 |
| Dry weight (kg) | 41 |
| 2.6 Clearances | Compact 28 SE |
| Sides | 12mm |
| Top | 150mm from casing or 25mm above flue elbow (whichever is applicable) |
| Bottom | 150mm |
| Front | 500mm |
| 2.7 Connections | Compact 28 SE |
| Flow & return | 22mm |
| Gas | 22mm |
| DHW hot & cold | 15mm |
| Safety valve | 15mm |
| 2.8 Electrical | Compact 28 SE |
| Power consumption (Watts) | 125W |
| Voltage (V/Hz) | 230/50 |
| Internal fuse | 3.15A T (for PCB) - 3.15A F (for connections block) |
| External fuse | 3A |
| 2.9 Flue Details (concentric) | Compact 28 SE |
| Maximum horizontal flue length (60/100mm) | 3.40m |
| Maximum vertical flue length (60/100mm) | 4.40m |
| 2.9A Flue Details (twin pipes) | Compact 28 SE |
| Maximum horizontal flue length (80mm/80mm) | 14m/14m |
| Maximum vertical flue length (80mm/80mm) | 14m/14m |
| 2.10 Efficiency | Compact 28 SE |
| SEDBUK (%) | 81.38 |
| 2.11 Emissions | Compact 28 SE |
| CO ₂ @ maximum output (%) | 6.9 |
| CO ₂ @ minimum output (%) | 2.7 |
| CO @ maximum output (ppm) | 90 |
| CO @ minimum output (ppm) | 160 |
| NOx rating | class 3 |

2.12 PUMP DUTY

Fig. 6 shows the flow-rate available – after allowing for pressure loss through the appliance – for system requirements. When using this graph, apply only the pressure loss of the system. The graph is based on a 20°C temperature differential.

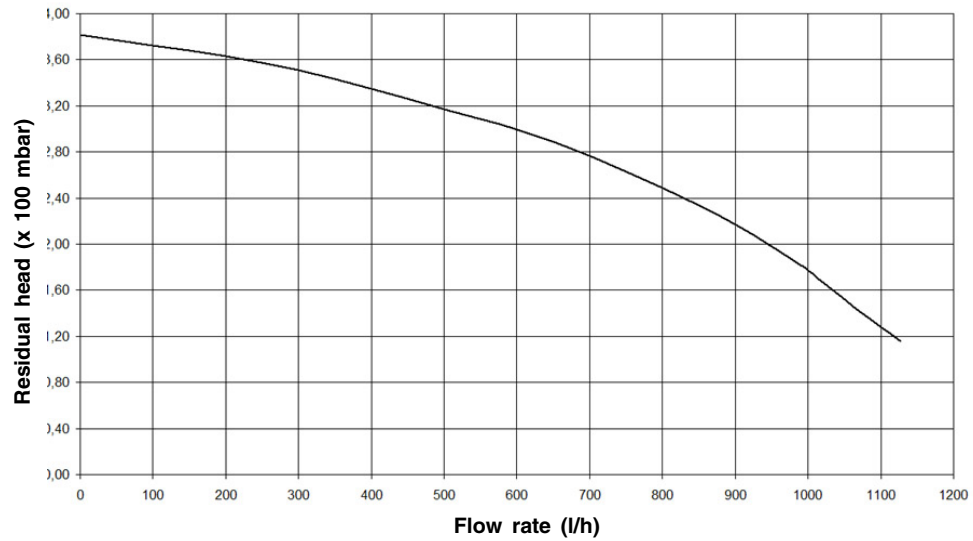
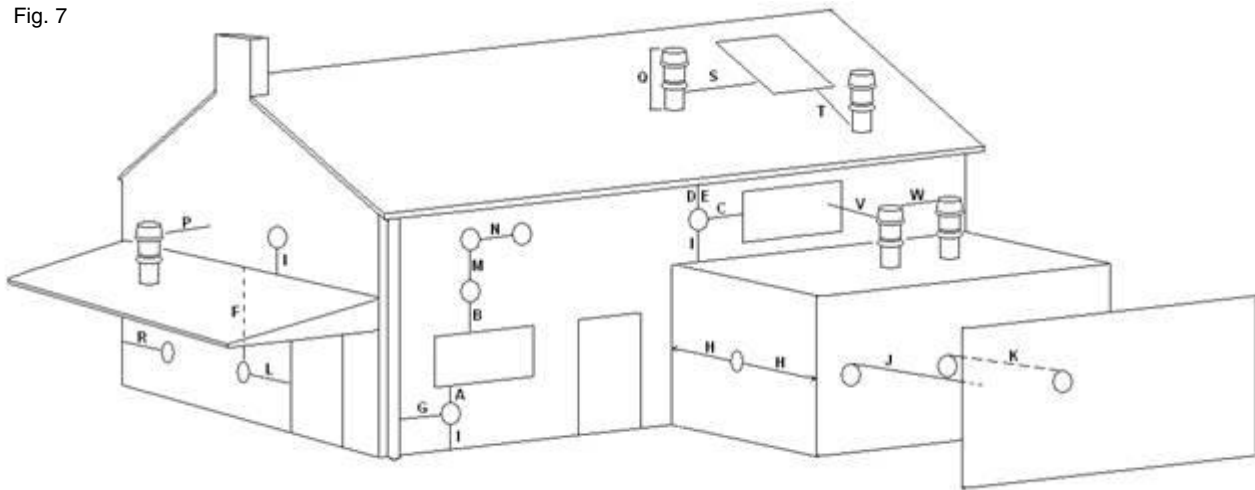


Fig. 6

Fig. 7



| Key | Location | Minimum distance |
|-----|---|--|
| A | Below an opening (window, air-brick, etc.) | 300 mm |
| B | Above an opening (window, air-brick, etc.) | 300 mm |
| C | To the side of an opening (window, air-brick, etc.) | 300 mm |
| D | Below gutter, drain-pipe, etc. | 25 mm |
| E | Below eaves | 25 mm |
| F | Below balcony, car-port roof, etc. | 25 mm |
| G | To the side of a soil/drain-pipe, etc. | 25 mm (60mm for 80/125 - 5" flue) |
| H | From internal/external corner | 25 mm (60mm for 80/125 - 5" flue) |
| I | Above ground, roof, or balcony level | 300 mm |
| J | From a surface or boundary facing the terminal | 600 mm |
| K | From a terminal facing a terminal | 1200 mm |
| L | From an opening in the car-port into the building | 1200 mm |
| M | Vertically from a terminal on the same wall | 1500 mm |
| N | Horizontally from a terminal on the same wall | 300 mm |
| P | From a structure to the side of the vertical terminal | 300 mm |
| Q | From the top of the vertical terminal to the roof flashing | As determined by the fixed collar of the vertical terminal |
| R | To the side of a boundary | 300 mm |
| S | To the side of an opening or window on a pitched roof | 600 mm |
| T | Below an opening or window on a pitched roof | 2000 mm |
| V | From a vertical terminal to an adjacent opening (window, air-brick, etc.) | (call Vokera technical for advice) |
| W | From a vertical terminal to an adjacent vertical terminal | 300 mm (only if both terminals are the same height) |

SECTION 3 - GENERAL REQUIREMENTS (UK)

This appliance must be installed by a competent person in accordance with the Gas Safety (Installation & Use) Regulations.

3.1 RELATED DOCUMENTS

The installation of this boiler must be in accordance with the relevant requirements of the Gas Safety (Installation & Use) Regulations, the local building regulations, the current I.E.E. wiring regulations, the bylaws of the local water undertaking, the Building Standards (Scotland) Regulation and Building Standards (Northern Ireland) Regulations. It should be in accordance also with any relevant requirements of the local authority and the relevant recommendations of the following British Standard Codes of Practice.

3.2 LOCATION OF APPLIANCE

The appliance may be installed in any room or internal space, although particular attention is drawn to the requirements of the current I.E.E. wiring regulations, and in Scotland, the electrical provisions of the Building Regulations, with respect to the

| | | |
|----------------|---------------|--|
| BS 5440 | PART 1 | FLUES |
| BS 5440 | PART 2 | FLUES & VENTILATION |
| BS 5449 | PART 1 | FORCED CIRCULATION HOT WATER SYSTEMS |
| BS 5546 | | INSTALLATION OF GAS HOT WATER SUPPLIES FOR DOMESTIC PURPOSES |
| BS 6798 | | INSTALLATION OF BOILERS OF RATED INPUT NOT EXCEEDING 60kW |
| BS 6891 | | LOW PRESSURE INSTALLATION PIPES |
| BS 7074 | PART 1 | APPLICATION, SELECTION, AND INSTALLTION OF EXPANSION VESSELS AND ANCILLARY EQUIPMENT FOR SEALED WATER SYSTEMS |

installation of the appliance in a room or internal space containing a bath or shower.

When an appliance is installed in a room or internal space containing a bath or shower, the appliance or any control pertaining to it must not be within reach of a person using the bath or shower. The location chosen for the appliance must permit the provision of a safe and satisfactory flue and termination. The location must also permit an adequate air supply for combustion purposes and an adequate space for servicing and air circulation around the appliance. Where the installation of the appliance will be in an unusual location special procedures may be necessary, BS 6798 gives detailed guidance on this aspect. A compartment used to enclose the appliance must be designed and constructed specifically for this purpose. An existing compartment/cupboard may be utilised provided that it is modified to suit. Details of essential features of compartment/cupboard design including airing cupboard installations are given in BS 6798. This appliance is not suitable for external installation.

3.3 GAS SUPPLY

The gas meter – as supplied by the gas supplier – must be checked to ensure that it is of adequate size to deal with the maximum rated input of all the appliances that it serves. Installation pipes must be fitted in accordance with BS 6891. Pipe work from the meter to the appliance must be of adequate size. Pipes of a smaller size than the appliance gas inlet connection must not be used. The installation must be tested for tightness in accordance with BS6891.

If the gas supply serves more than one appliance, it must be ensured that an adequate supply is maintained to each appliance when they are in use at the same time.

3.4 FLUE SYSTEM

The terminal should be located where the dispersal of combustion products is not impeded and with due regard for the damage and discoloration that may occur to building products located nearby. The terminal must not be located in a place where it is likely to cause a nuisance (see fig. 7). In cold and/or humid weather, water vapour will condense on leaving the terminal; the effect of such plumbing must be considered. If installed less than 2m above a pavement or platform to which

people have access (including balconies or flat roofs) the terminal must be protected by a guard of durable material. The guard must be fitted centrally over the terminal. Refer to BS 5440 Part 1, when the terminal is 0.5 metres (or less) below plastic guttering or 1 metre (or less) below painted eaves.

3.5 AIR SUPPLY

The following notes are intended for general guidance only. This appliance is a room-sealed, fan-flued boiler, consequently it does not require a permanent air vent for combustion air supply. When installed in a cupboard or compartment, ventilation for cooling purposes is also not required.

3.6 WATER CIRCULATION

Detailed recommendations are given in BS 5449 Part 1 and BS 6798. The following notes are for general guidance only.

3.6.1 PIPEWORK

It is recommended that copper tubing to BS 2871 Part 1 is used in conjunction with soldered capillary joints. Where possible

pipes should have a gradient to ensure air is carried naturally to air release points and that water flows naturally to drain cocks. Except where providing useful heat, pipes should be insulated to avoid heat loss and in particular to avoid the possibility of freezing. Particular attention should be paid to pipes passing through ventilated areas such as under floors, loft space and void areas.

3.6.2 AUTOMATIC BY-PASS

The appliance has a built-in automatic by-pass, consequently there is no requirement for an external by-pass, however the design of the system should be such that it prevents boiler 'cycling'.

3.6.3 DRAIN COCKS

These must be located in accessible positions to facilitate draining of the appliance and all water pipes connected to the appliance. The drain cocks must be manufactured in accordance with BS 2879.

3.6.4 AIR RELEASE POINTS

These must be positioned at the highest points in the system where air is likely to be trapped. They should be used to expel trapped air and allow complete filling of the system.

3.6.5 EXPANSION VESSEL

The appliance has an integral expansion vessel to accommodate the increased volume of water when the system is heated. It can accept up to 8 litres of expansion from within the system, generally this is sufficient, however if the system has an unusually high water content, it may be necessary to provide additional expansion capacity (see 6.18).

3.6.6 FILLING POINT

A method for initial filling of the system and replacing water lost during servicing etc. directly from the mains supply, is provided (see fig. 8). This method of filling complies with the current Water Supply (Water Fittings) Regulations 1999 and Water Bylaws 2000 (Scotland). If an alternative location is preferred, it should be connected as detailed in fig. 8.

3.6.7 LOW PRESSURE SEALED SYSTEM

An alternative method of filling the system would be from an independent make-up vessel or tank mounted in a position at least 1 metre above the highest point in the system and at least 5 metres above the boiler (see fig. 9).

The cold feed from the make-up vessel or tank must be fitted

with an approved non-return valve and stopcock for isolation purposes. The feed pipe should be connected to the return pipe as close to the boiler as possible.

3.6.8 FREQUENT FILLING

Frequent filling or venting of the system may be indicative of a leak. Care should be taken during the installation of the appliance to ensure all aspects of the system are capable of withstanding pressures up to at least 3 bar.

3.7 ELECTRICAL SUPPLY

The appliance is supplied for operation on 230V @ 50Hz electrical supply; it must be protected with a 3-amp fuse. The method of connection to the mains electricity supply must allow for complete isolation from the supply. The preferred method is by using a double-pole switch with a contact separation of at least 3,5mm (3° high-voltage category). The switch must only supply the appliance and its corresponding controls, i.e. time clock, room thermostat, etc. Alternatively an un-switched shuttered socket with a fused 3-pin plug both complying with BS 1363 is acceptable.

3.8 MOUNTING ON A COMBUSTIBLE SURFACE

If the appliance is to be fitted on a wall of combustible material, a sheet of fireproof material must protect the wall.

3.9 TIMBER FRAMED BUILDINGS

If the appliance is to be fitted in a timber framed building, it should be fitted in accordance with the Institute of Gas Engineers publication (IGE/UP/7) 'Guide for Gas Installations in Timber Frame Buildings'.

3.10 INHIBITORS

Vokèra recommend that an inhibitor - suitable for use with copper heat exchangers - is used to protect the boiler and system from the effects of corrosion and/or electrolytic action. The inhibitor must be administered in strict accordance with the manufacturers' instructions*.

*Water treatment of the complete heating system - including the boiler - should be carried out in accordance with BS 7593 and the Domestic Water Treatment Association's (DWTA) code of practice.

3.11 SHOWERS

If the appliance is intended for use with a shower, the shower must be thermostatically controlled and be suitable for use with a combination boiler.

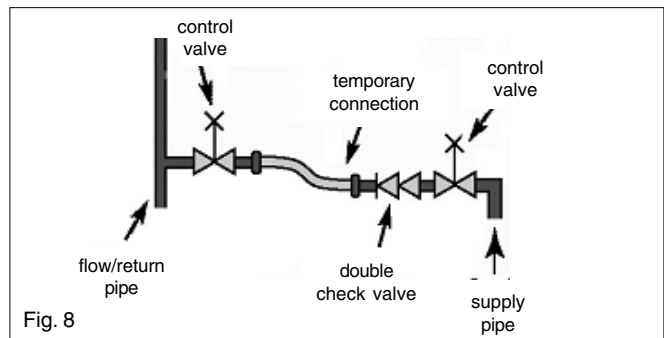


Fig. 8

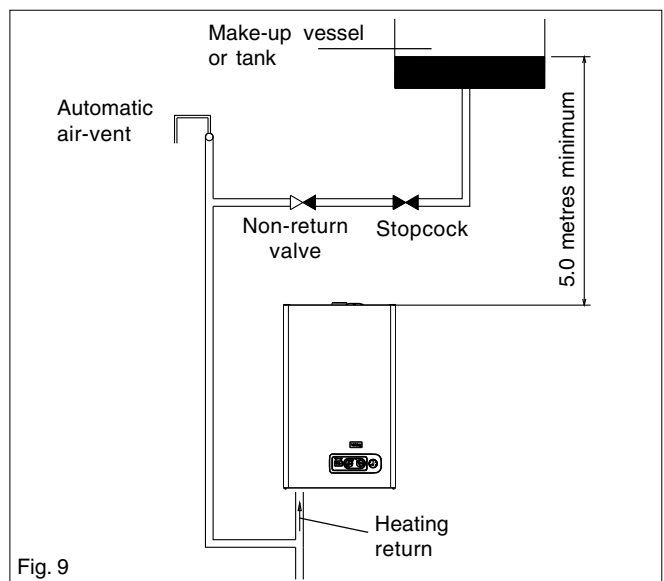


Fig. 9

SECTION 3A - GENERAL REQUIREMENTS (EIRE)

This appliance must be installed by a competent person in accordance with and defined by, the Standard Specification (Domestic Gas Installations) Declaration (I.S. 813).

3A.1 RELATED DOCUMENTS

The installation of this boiler must be in accordance with the relevant requirements of the local building regulations, the current ETCI National Rules for Electrical Installations and the bylaws of the local water undertaking. It should be in accordance also with any relevant requirements of the local and/or district authority.

3A.2 LOCATION OF APPLIANCE

The appliance may be installed in any room or internal space, although particular attention is drawn to the requirements of the current ETCI National Rules for Electrical Installations, and I.S. 813, Annex K.

When an appliance is installed in a room or internal space containing a bath or shower, the appliance or any control pertaining to it must not be within reach of a person using the bath or shower.

The location chosen for the appliance must permit the provision of a safe and satisfactory flue and termination. The location must also permit an adequate air supply for combustion purposes and an adequate space for servicing and air circulation around the appliance. Where the installation of the appliance will be in an unusual location special procedures may be necessary, refer to I.S. 813 for detailed guidance on this aspect. A compartment used to enclose the appliance must be designed

and constructed specifically for this purpose. An existing compartment/cupboard may be utilised provided that it is modified to suit.

This appliance is not suitable for external installation.

3A.3 GAS SUPPLY

The gas meter – as supplied by the gas supplier – must be checked to ensure that it is of adequate size to deal with the maximum rated input of all the appliances that it serves. Installation pipes must be fitted in accordance with I.S. 813. Pipe work from the meter to the appliance must be of adequate size. Pipes of a smaller size than the appliance gas inlet connection must not be used. The installation must be tested for tightness in accordance with I.S. 813.

If the gas supply serves more than one appliance, it must be ensured that an adequate supply is maintained to each appliance when they are in use at the same time.

3A.4 FLUE SYSTEM

The terminal should be located where the dispersal of combustion products is not impeded and with due regard for the damage and discoloration that may occur to building products located nearby. The terminal must not be located in a place where it is likely to cause a nuisance (see I.S. 813).

In cold and/or humid weather, water vapour will condense on leaving the terminal; the effect of such plumbing must be considered.

If installed less than 2m above a pavement or platform to which people have access (including balconies or flat roofs) the

terminal must be protected by a guard of durable material. The guard must be fitted centrally over the terminal. Refer to I.S. 813, when the terminal is 0.5 metres (or less) below plastic guttering or 1 metre (or less) below painted eaves.

3A.5 AIR SUPPLY

The following notes are intended for general guidance only. This appliance is a room-sealed, fan-flued boiler, consequently it does not require a permanent air vent for combustion air supply.

When installed in a cupboard or compartment, ventilation for cooling purposes is also not required.

3A.6 WATER CIRCULATION

Specific recommendations are given in I.S. 813. The following notes are for general guidance only.

3A.6.1 PIPEWORK

It is recommended that copper tubing be used in conjunction with soldered capillary joints.

Where possible pipes should have a gradient to ensure air is carried naturally to air release points and that water flows naturally to drain cocks.

Except where providing useful heat, pipes should be insulated to avoid heat loss and in particular to avoid the possibility of freezing. Particular attention should be paid to pipes passing through ventilated areas such as under floors, loft space and void areas.

3A.6.2 AUTOMATIC BY-PASS

The appliance has a built-in automatic by-pass, consequently there is no requirement for an external by-pass, however the design of the system should be such that it prevents boiler 'cycling'.

3A.6.3 DRAIN COCKS

These must be located in accessible positions to facilitate draining of the appliance and all water pipes connected to the appliance.

3A.6.4 AIR RELEASE POINTS

These must be positioned at the highest points in the system where air is likely to be trapped. They should be used to expel trapped air and allow complete filling of the system.

3A.6.5 EXPANSION VESSEL

The appliance has an integral expansion vessel to accommodate the increased volume of water when the system is heated. It can accept up to 8 litres of expansion from within the system, generally this is sufficient, however if the system has an unusually high water content, it may be necessary to provide additional expansion capacity (see 6.18).

3A.6.6 FILLING POINT

A method for initial filling of the system and replacing water lost during servicing etc. is provided (see fig. 8). You should ensure this method of filling complies with the local water authority regulations.

3A.6.7 LOW PRESSURE SEALED SYSTEM

An alternative method of filling the system would be from an independent make-up vessel or tank mounted in a position at least 1 metre above the highest point in the system and at least 5 metres above the boiler (see fig. 9). The cold feed from the make-up vessel or tank must be fitted with an approved non-return valve and stopcock for isolation purposes. The feed pipe should be connected to the return pipe as close to the boiler as possible.

3A.6.8 FREQUENT FILLING

Frequent filling or venting of the system may be indicative of a leak. Care should be taken during the installation of the appliance to ensure all aspects of the system are capable of withstanding pressures up to at least 3 bar.

3A.7 ELECTRICAL SUPPLY

The appliance is supplied for operation on 230V @ 50Hz electrical supply; it must be protected with a 3-amp fuse. The method of connection to the mains electricity supply must allow for complete isolation from the supply. The preferred method is by using a double-pole switch with a contact separation of at least 3,5 mm (3° high-voltage category). The switch must only supply the appliance and its corresponding controls, i.e. time clock, room thermostat, etc.

3A.8 MOUNTING ON A COMBUSTIBLE SURFACE

If the appliance is to be fitted on a wall of combustible material, a sheet of fireproof material must protect the wall.

3A.9 TIMBER FRAMED BUILDINGS

If the appliance is to be fitted in a timber framed building, it should be fitted in accordance with I.S. 813 and local Building Regulations.

The Institute of Gas Engineers publication (IGE/UP/7) 'Guide for Gas Installations in Timber Frame Buildings' gives specific advice on this type of installation.

3A.10 INHIBITORS

Vokèra recommend that an inhibitor - suitable for use with copper heat exchangers - is used to protect the boiler and system from the effects of corrosion and/or electrolytic action. The inhibitor must be administered in strict accordance with the manufacturers instructions*.

*Water treatment of the complete heating system - including the boiler - should be carried out in accordance with I.S. 813 and the Domestic Water Treatment Association's (DWTA) code of practice.

3A.11 SHOWERS

If the appliance is intended for use with a shower, the shower must be thermostatically controlled and be suitable for use with a combination boiler.

3A.12 DECLARATION OF CONFORMITY

A Declaration of Conformity (as defined in I.S. 813) must be provided on completion of the installation.

A copy of the declaration must be given to the responsible person and also to the gas supplier if required.

SECTION 4 - INSTALLATION

4.1 DELIVERY

Due to the weight of the appliance it may be necessary for two people to lift and attach the appliance to its mounting. The appliance is contained within a heavy-duty cardboard carton. Lay the carton on the floor with the writing the correct way up.

4.2 CONTENTS

Contained within the carton is:

- the boiler
- the wall bracket
- carton template
- an accessories pack containing appliance service connections and washers
- the instruction pack containing the installation, servicing & user instructions, guarantee registration card and a 3-amp fuse.

4.3 UNPACKING

At the top of the carton pull both sides open – do not use a knife – unfold the rest of the carton from around the appliance, carefully remove all protective packaging from the appliance and lay the accessories etc. to one side. Protective gloves should be used to lift the appliance, the appliance back-frame should be used for lifting points.

4.4 PREPARATION FOR MOUNTING THE APPLIANCE

The appliance should be mounted on a smooth, vertical, non-combustible surface, which must be capable of supporting the full weight of the appliance. Care should be exercised when determining the position of the appliance with respect to hidden obstructions such as pipes, cables, etc.

When the position of the appliance has been decided – using the template supplied – carefully mark the position of the wall-mounting bracket (see fig. 10) and flue-hole (if applicable).

4.5 FLUE RESTRICTOR RING

To ensure maximum efficiency of the appliance, it may be necessary to fit one of the supplied flue restrictor rings to the appliance flue outlet.

4.5.1 FITTING THE FLUE

The top flue outlet permits both horizontal and vertical flue applications to be considered, alternatively, the Vokèra twin flue system can be utilised if longer flue runs are required.

4.5.2 CONCENTRIC HORIZONTAL FLUE

(For concentric vertical flue, see 4.5.2).

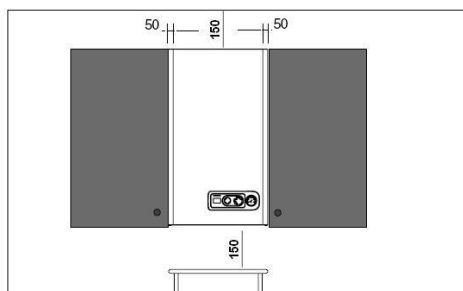
(For twin flue applications, see 4.5.3).

The appliance can be used with either the Vokèra 60/100mm concentric Uni-flue system or the optional Vokera twin flue system.

| Total flue length 60-100 | Restrictor required |
|--------------------------|---------------------|
| Up to 0.85 metre | 43 mm diameter |
| From 0.85 to 1.7 metre | 45 mm diameter |
| From 1.7 to 2.7 metre | 47 mm diameter |
| From 2.7 to 3.4 metre | Not installed |

NOTE

These instructions relate **only** to the Vokèra Uni-Flue 60/100mm concentric flue system. The appliance flue outlet elbow can be rotated through 360° on its vertical axis. In addition the flue may be extended from



the outlet elbow in the horizontal plane (see 2.9). A reduction must also be made to the maximum length (see table below) when additional bends are used.

Reduction for additional bends

| Bend | Reduction in maximum flue length for each bend |
|----------|--|
| 45° bend | 1 metre (60/100) |
| 90° bend | 1.5 metre (60/100) |

Horizontal flue terminals and accessories

| Part No. | Description | Length |
|----------|----------------------|------------------------|
| 2359029 | Horizontal flue kit | 833 mm (dimension 'X') |
| 2359119 | Telescopic flue kit | |
| 2359069 | 750 mm extension | 750 mm |
| 2359079 | 1500 mm extension | 1500 mm |
| 2359089 | Telescopic extension | 350-490 mm |
| 2359049 | 45° bend (pair) | 220mm |
| 2359059 | 90° bend | N/A |
| 529 | Wall bracket (5) | N/A |

Using the template provided (A), mark and drill a 125mm hole for the passage of the flue pipe. The hole should have a 1° drop from the boiler to outside, to eliminate the possibility of rainwater entering the appliance via the flue.

The fixing holes for the wall-mounting bracket should now be drilled and plugged, an appropriate type and quantity of fixing should be used to ensure that the bracket is mounted securely. Once the bracket has been secured to the wall, mount the appliance onto the bracket.

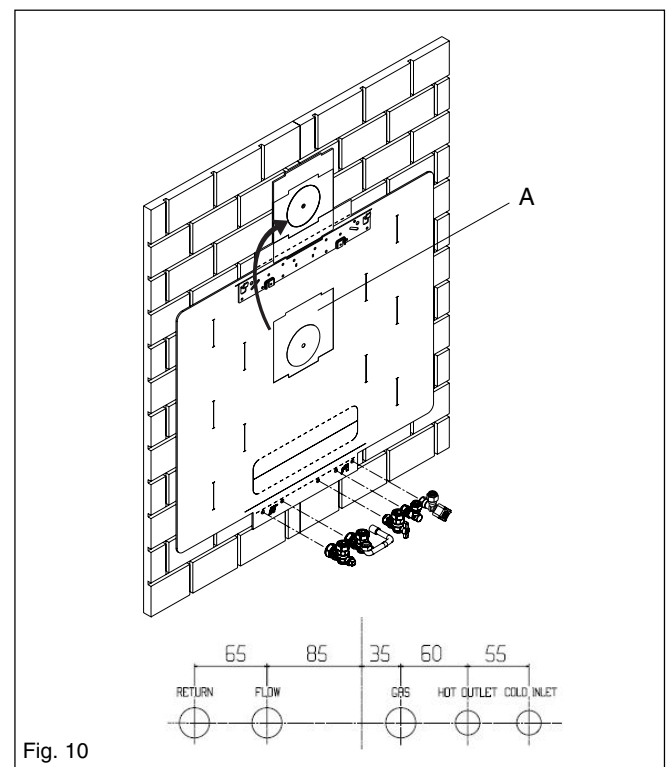


Fig. 10

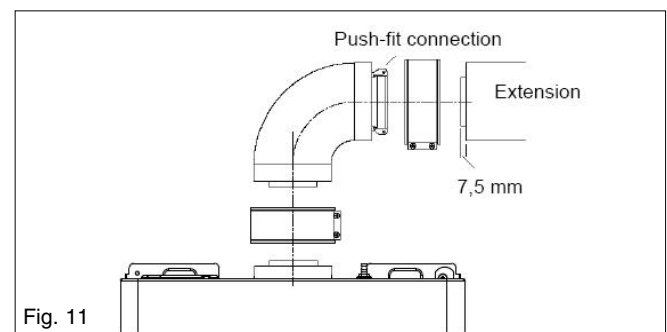


Fig. 11

FITTING THE HORIZONTAL FLUE KIT

Carefully measure the distance from the centre of the appliance flue outlet to the face of the outside wall (dimension 'X' see fig. 7). Ensure the inner (60mm) pipe is fully inserted into the outer (100mm) pipe (when the inner pipe is fully inserted, it stands proud of the outer pipe by 7.5mm). Add 32mm to dimension 'X' to give the overall flue length (dimension 'Y').

NOTE

The standard horizontal flue kit (part no. 2359029) is suitable for a distance (dimension 'Y') of up to 865mm.

The telescopic flue kit (part no. 2359119) is suitable for a distance (dimension 'Y') of up to 600mm.

Dimension 'Y' is measured from the end of the terminal to the end of the outer (100mm) pipe. The internal trim should be fitted to the flue pipe before connection of the 90° bend.

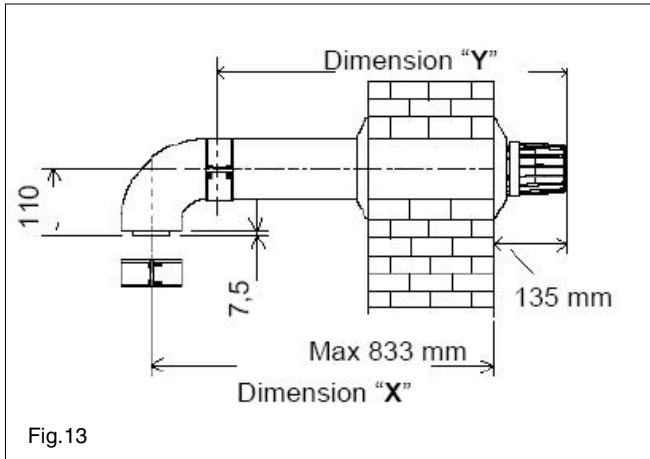


Fig. 13

EXTENDING THE FLUE

The horizontal flue system can be extended using bends and/or extensions from the Uni-Flue range (see 4.5.1).

Connect the bend – supplied with the terminal kit – to the top of the boiler using the clips, screws, & gaskets supplied. The additional bends & extensions have an internal push-fit connection, care should be taken to ensure that the correct seal is made when assembling the flue system. Connect the required number of flue extensions or bends (up to the maximum equivalent flue length) to the flue terminal using the clips, screws, & gaskets supplied (see fig. 11 & 14). The interior trim should be fitted at this point.

NOTE

When cutting an extension to the required length, you must ensure that the excess is cut from the plain end of the extension, and that the inner (60mm) pipe is 7.5mm longer than outer (100mm) pipe (see fig. 8 & 8A). Remove any burrs, and check that any seals are located properly.

You must ensure that the entire flue system is properly supported and connected.

Seal the flue assembly to the wall using cement or a suitable alternative that will provide satisfactory weatherproofing. The exterior trim can now be fitted.

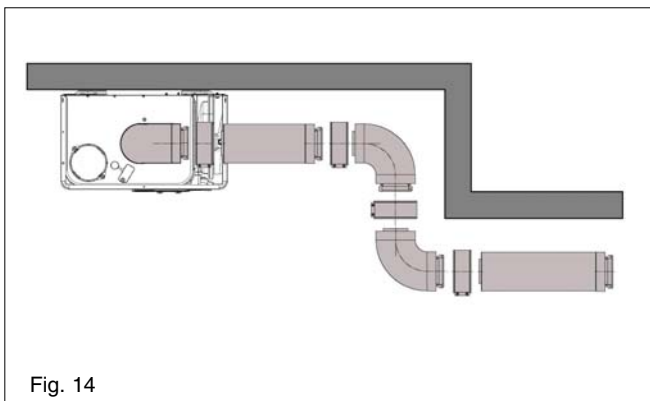


Fig. 14

4.5.2 CONCENTRIC VERTICAL FLUE

The appliance can be used with either the Vokèra 60/100mm concentric Uni-flue system or the optional Vokera twin flue system.

| Total flue length 60-100 | Restrictor required |
|--------------------------|---------------------|
| Up to 1.85 metre | 43 mm diameter |
| From 1.85 to 2.7 metre | 45 mm diameter |
| From 2.7 to 3.7 metre | 47 mm diameter |
| From 3.7 to 4.4 metre | Not installed |

NOTE

These instructions relate **only** to the Vokèra 60/100mm concentric flue system. For specific details on the installation of the Vokera twin flue system please refer to the instructions supplied. The vertical flue terminal can be connected directly to the appliance flue outlet. Alternatively, an extension or bend can be connected to the appliance flue outlet if desired, however if additional bends are fitted, a reduction must be made to the maximum flue length (see table below).

Reduction for bends

| Bend | Reduction in maximum flue length for each bend |
|----------|--|
| 45° bend | 1 metre (60/100) |
| 90° bend | 1.5 metre (60/100) |

Vertical flue terminal and accessories

| Part No. | Description | Length |
|----------|-----------------------------|-----------|
| 2359039 | Vertical flue terminal | 1.0 metre |
| 531 | Pitched roof flashing plate | N/A |
| 532 | Flat roof flashing plate | N/A |
| 2359069 | 750 mm extension | 750 mm |
| 2359079 | 1500 mm extension | 1500 mm |
| 2359049 | 45° bend (pair) | N/A |
| 2359059 | 90° bend | N/A |
| 529 | Wall bracket (5) | N/A |

Using the dimensions given in fig. 12 as a reference, mark and cut a 125mm hole in the ceiling and/or roof.

Fit the appropriate flash plate to the roof and insert the vertical flue terminal through the flashing plate from the outside, ensuring that the collar on the flue terminal fits over the flashing.

The fixing holes for the wall-mounting bracket should now be drilled and plugged, an appropriate type and quantity of fixing should be used to ensure that the bracket is mounted securely. Once the bracket has been secured to the wall, mount the appliance onto the bracket.

IMPORTANT

The vertical flue terminal is 1.0 metre in length and cannot be cut; therefore it may be necessary to adjust the height of the appliance to suit or use a suitable extension.

Connect the vertical flue assembly to the boiler flue spigot using the 100mm clip, gasket & screws (supplied), ensuring the correct seal is made. The flue support bracket (supplied with the vertical flue kit) can now be fitted.

If the vertical flue requires extension/s or additional bend/s, connect the required number of flue extensions or bends (up

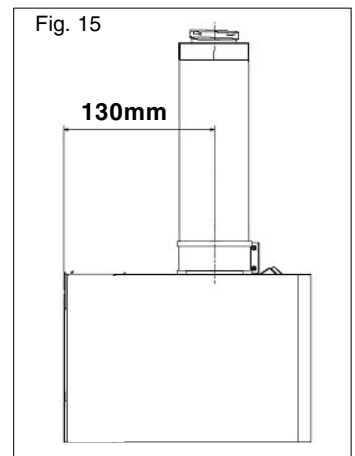


Fig. 15

to the maximum equivalent flue length) between the boiler and vertical flue assembly (see fig. 14).

Ensure that any horizontal sections of the flue system have a minimum 1°; maximum 3° fall back to the boiler (1° = 17mm per 1000mm).

NOTE

When cutting an extension to the required length, you must ensure that the excess is cut from the plain end of the extension. Remove any burrs, and check that any seals are located properly.

You must ensure that the entire flue system is properly supported and connected.

4.5.3 TWIN FLUE SYSTEM

The Vokèra twin flue system enables greater flue distances to be achieved than that of a concentric flue system. It can be used for horizontal or vertical applications, however the twin flue system must be converted to the dedicated concentric flue kit for termination. It is essential that the installation of the twin flue system be carried out in strict accordance with these instructions.

| Total flue length 80 | Restrictor required |
|---------------------------|---------------------|
| Up to 3+3 metre | 43 mm diameter |
| From 3+3 to 7+7 metre | 45 mm diameter |
| From 7+7 to 11+11 metre | 47 mm diameter |
| From 11+11 to 14+14 metre | Not installed |

GUIDANCE NOTES ON TWIN FLUE INSTALLATION

- The flue must have a fall back of 1° back to the appliance to allow any condensate that forms in the flue system to drain via the condensate drain. Consideration must also be given to the fact that there is the possibility of a small amount of condensate dripping from the terminal.
- Ensure that the entire flue system is adequately supported, use at least one bracket for each extension.
- Extreme care must be taken to ensure that no debris is allowed to enter the flue system at any time.
- As the exhaust outlet pipe can reach very high temperatures it must be protected to prevent persons touching the hot surface.

Reduction for bends

| Bend | Reduction in maximum flue length for each bend |
|----------|--|
| 45° bend | 0.5 metre |
| 90° bend | 0.8 metre |

Twin flue accessories

| Part No. | Description | Length |
|----------|------------------|--------|
| 20006933 | Twin adaptor kit | N/A |

MOUNTING THE BOILER

The fixing holes for the wall-mounting bracket should now be drilled and plugged, an appropriate type and quantity of fixing should be used to ensure that the bracket is mounted securely. Once the bracket has been secured to the wall, mount the appliance onto the bracket.

INSTALLATION OF TWIN ADAPTOR KIT (fig. 12 & 13)

- Insert the exhaust connection manifold (A) onto the appliance flue outlet.
- Remove the blanking plate (located to the left of the appliance flue outlet) and – using the same screws – install the air inlet plate (B).
- Using the hole in the exhaust connection manifold as a guide, drill a 3mm hole in the appliance flue spigot and secure the exhaust manifold connection to the flue spigot using the screw provided (C).
- Using the two holes in the air inlet plate as a guide, drill a 3mm hole in each and secure the air inlet pipe/bend using the screws provided.

The twin flue pipes extensions and accessories can now be installed by pushing together (the plain end of each extension or bend should be pushed approximately 50mm into the female socket of the previous piece).

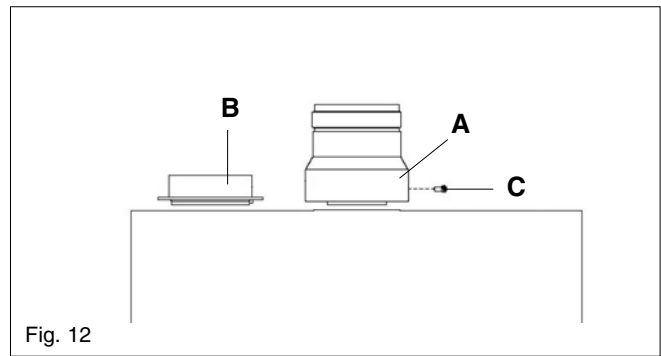


Fig. 12

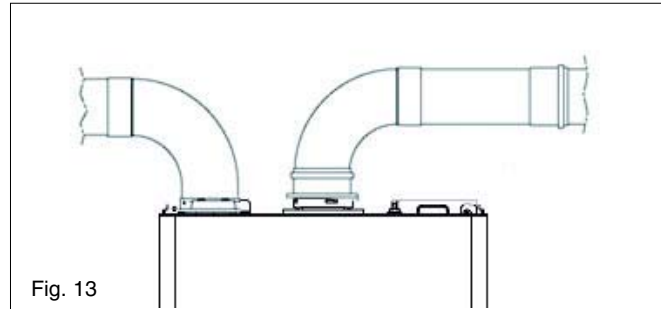


Fig. 13

HORIZONTAL TERMINATION (fig. 14)

The twin flue system must be converted to the dedicated concentric flue kit for termination.

- The horizontal terminal is supplied with a built-in converter box and cannot be shortened.
- A 130mm hole is required for the passage of the concentric terminal through the wall.
- The air inlet pipe must always be level with or below, that of the exhaust pipe.

Depending on site conditions it may be preferable to install the terminal assembly prior to fitting the twin flue pipes.

Mark and drill a level 130mm hole for the passage of the horizontal flue terminal. Insert the terminal assembly into the flue hole.

Push-fit the twin flue pipes onto the concentric to twin converter box ensuring that the exhaust pipe connects to the exhaust connection on the concentric to twin converter.

If necessary cut the plain ends (male) of the twin flue pipes to allow connection to the concentric to twin converter.

NOTE

Before cutting twin flue pipes ensure allowances have been made for connection onto the previous piece and onto the concentric to twin converter. The last twin flue pipes must be pushed 50mm onto the male spigots of the concentric to twin converter.

NOTE

Seal the flue terminal assembly to the wall using cement or a suitable alternative that will provide satisfactory weatherproofing. The interior and exterior trim can now be fitted.

VERTICAL TERMINATION (fig. 15)

The twin flue system must be converted to the dedicated concentric flue kit for termination.

- The vertical terminal is supplied with a built-in converter box and cannot be shortened.
- A 130mm hole is required for the passage of the concentric terminal through the ceiling and/or roof.

Depending on site conditions it may be preferable to install the terminal assembly prior to fitting the twin flue pipes.

Fit the appropriate flashing plate to the roof and insert the vertical flue terminal through the flashing plate from the outside, ensuring that the collar on the flue terminal fits over the flashing. Push-fit the twin flue pipes onto the concentric to twin converter ensuring that the exhaust pipe connects to the exhaust connection on the concentric to twin converter.

If necessary cut the plain ends (male) of the twin flue pipes to allow connection to the concentric to twin converter.

NOTE

- Before cutting twin flue pipes ensure allowances have been made for connection onto the previous piece and onto the concentric to twin converter. The last twin flue pipes must be pushed 50mm onto the male spigots of the concentric to twin converter.
- You must ensure that the entire flue system is properly supported and connected.
- Ensure that any horizontal sections of pipe have a 1° to 3° fall towards the appliance to allow any condensate that forms in the flue system to drain via the condensate drain. (17mm per 1000mm = 1°).

4.5.4 INSTALLATION OF CONDENSATE DRAIN KIT

The condensate drain kit must be fitted within 1 metre of the appliance flue outlet. It is recommended that the condensate drain kit should be fitted in the vertical plane, however it can be fitted horizontally with care.

- Fit the first bend to the condensate drain kit or exhaust connection manifold by firmly pushing in to position.
- Using the two holes in the exhaust connection manifold as a guide, drill a 3 mm hole in each and secure using the screws provided.
- Connect the air inlet pipe to the air baffle as above.
- The twin flue pipes extensions and accessories can now be installed by pushing together (the plain end of each extension or bend should be pushed approximately 50 mm into the female socket of the previous piece).

The condensate drain trap must be connected to the drain in accordance with building Regulations or other rules in force.

4.6 CONNECTING THE GAS AND WATER

The appliance is supplied with an accessory pack that includes service valves.

The service valves are for welding. The accessory pack contains sealing washers' etc, for use with the service valves.

NOTE

It will be necessary to hold the valve with one spanner whilst tightening with another

4.6.1 GAS (fig. 16)

The appliance is supplied with a 22mm service valve, connect a 22mm pipe to the inlet of the valve and tighten both nuts.

NOTE

It will be necessary to calculate the diameter of the gas supply pipe to ensure the appliance has an adequate supply of gas.

4.6.2 FLOW & RETURN (fig. 16)

The appliance is supplied with 22mm service valves for the flow and return connections, connect a 22mm pipe to the inlet of each valve and tighten both nuts.

NOTE

Depending on system requirements, it may necessary to increase the size of the flow & return pipe work after the service valve connections.

4.6.3 COLD WATER INLET (fig. 16)

The appliance is supplied with a 15mm combined stopcock and double check-valve, connect a 15mm pipe to the inlet of the stopcock and tighten both nuts.

4.6.4 HOT WATER OUTLET (fig. 16)

The appliance is supplied with a 15mm outlet connection, connect a 15mm pipe to the outlet connection and tighten both nuts.

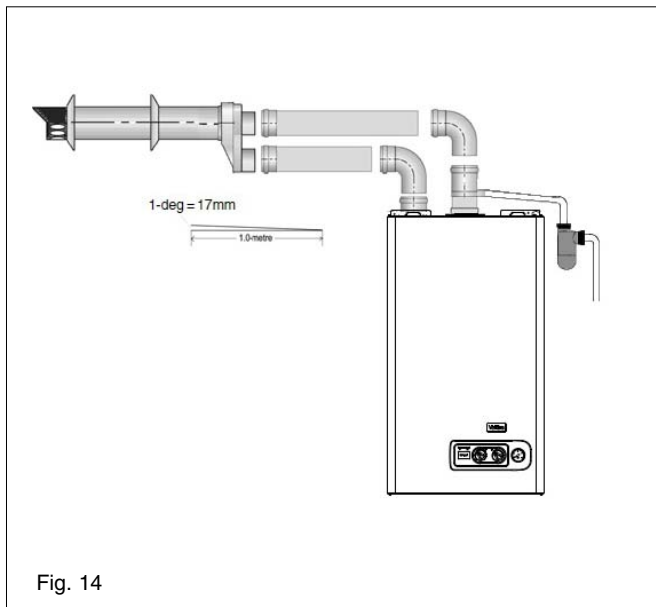


Fig. 14

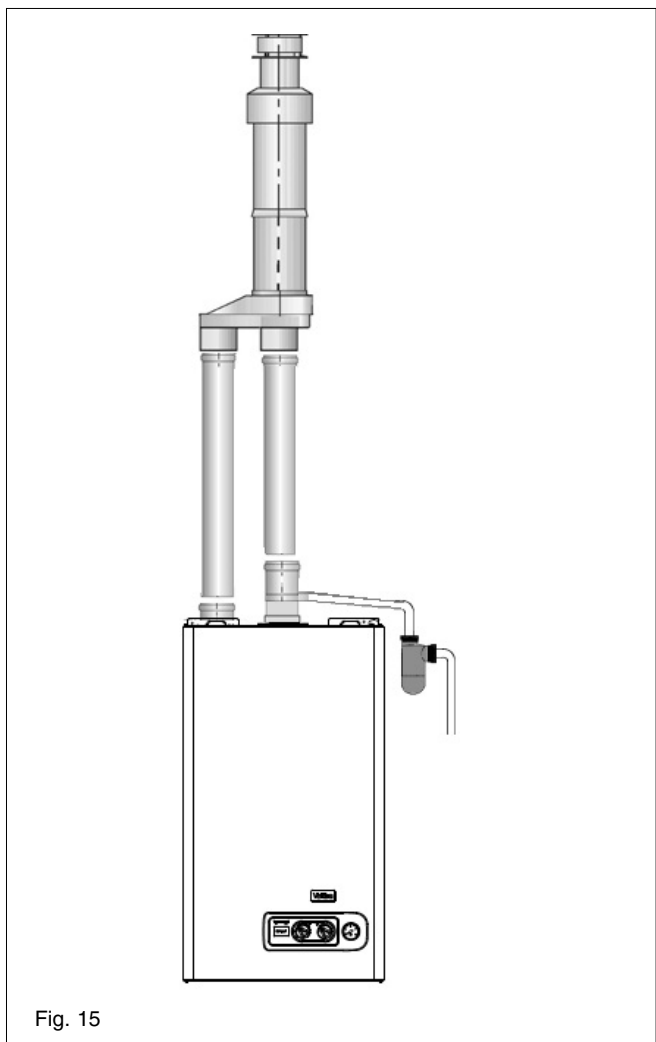


Fig. 15

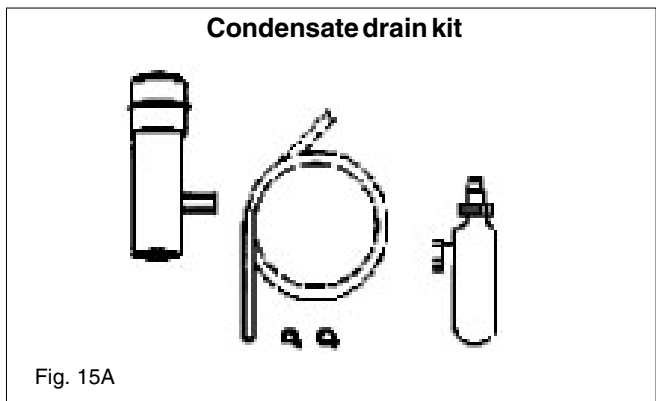
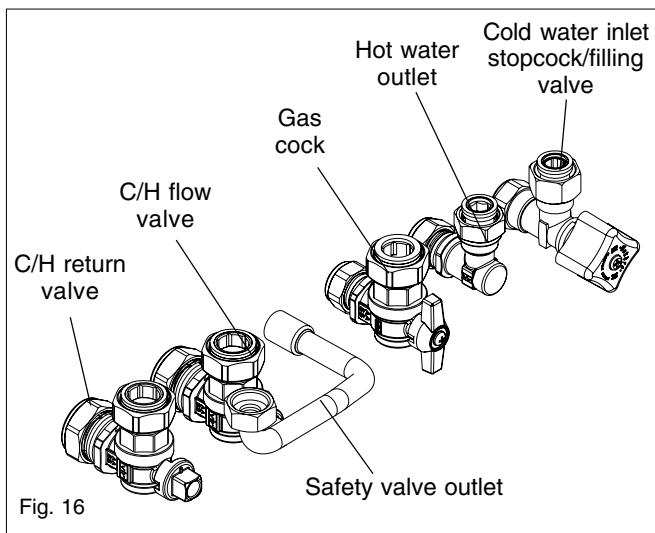


Fig. 15A



4.6.5 SAFETY VALVE (fig. 16)

Connect the safety valve connection pipe to the safety valve outlet. Connect a discharge pipe to the other end of the safety valve connection pipe and tighten. The discharge pipe must have a continuous fall away from the appliance to outside and allow any water to drain away thereby eliminating the possibility of freezing. The discharge pipe must terminate in a position where any water – possibly boiling – discharges safely without causing damage or injury, but is still visible.

4.7 ELECTRICAL CONNECTIONS

The boiler is supplied with a 2-metre fly-lead. This lead can be used for connection to the electrical supply. Connect the fly-lead to a fused plug or fused isolator in the following way:

- brown wire to LIVE supply
- blue wire to NEUTRAL supply
- green/yellow to EARTH connection.

Insert the supplied 3-AMP fuse into the fused isolator or fused plug.

Should the fly-lead be unsuitable, refer to 4.7.3 for details on how to connect the electrical supply directly to the boiler.

The electrical supply must be as specified in section 3/3A. A qualified electrician should connect the appliance to the electrical supply. If controls - external to the appliance - are required, a competent person must undertake the design of any external electrical circuits, please refer to section 8 for detailed instructions. ANY EXTERNAL CONTROL OR WIRING MUST BE SERVED FROM THE SAME ISOLATOR AS THAT OF THE APPLIANCE. The supply cable from the isolator to the appliance must be 3-core flexible sized 0.75mm to BS 6500 or equivalent. Wiring to the appliance must be rated for operation in contact with surfaces up to 90 °C.

4.7.1 CASING REMOVAL (fig. 17)

To gain internal access to the appliance you must first remove the casing, proceed as outlined below:

- locate and unscrew the 2-screws (A) that secure the outer casing to the appliance
- lift the casing upward to disengage it from the top locating hooks and then remove
- store the casing and screws safely until required. Re-fit in the reverse order
- remove retaining screw from under the control fascia and lower gently until it rests.

4.7.2 APPLIANCE TERMINAL BLOCK

The appliance terminal block is located on the rear of the control fascia. Remove the casing as described in 4.7.1. Gently pull the control panel forwards and down. Locate the terminal block cover (fig. 18).

NOTE

If the appliance is to be used without the use of external controls, a link must be fitted across the ('CN5') terminal on the PCB to allow basic operation of the boiler via the mode selector switch. If it is anticipated that external controls will be required please

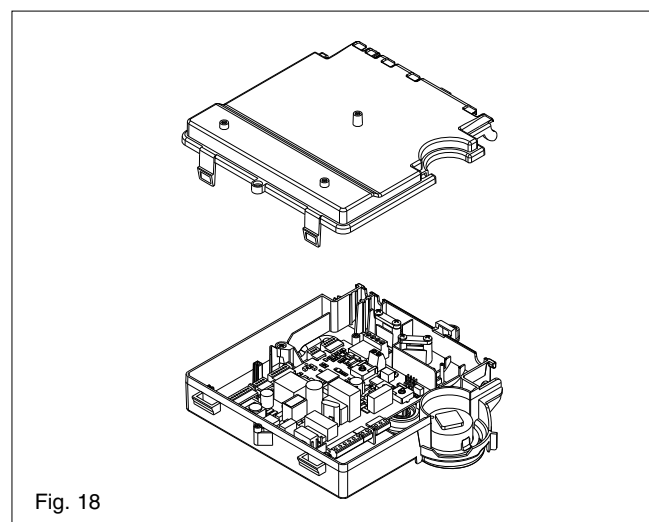
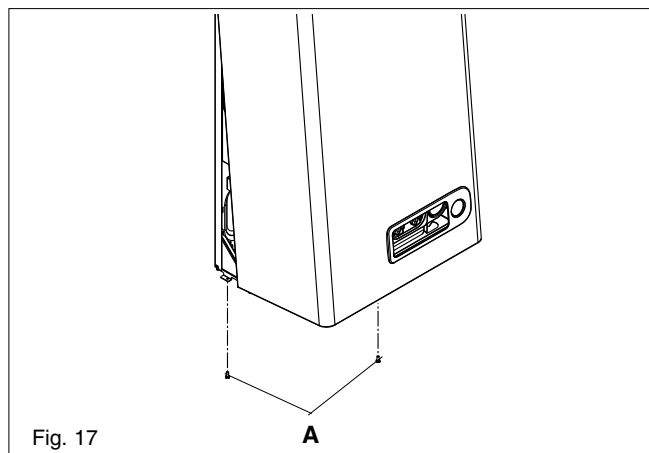
refer to the wiring diagrams in section 8 for more detailed information.

4.7.3 CONNECTING THE MAINS (230V) INPUT

Unhook and remove the terminal block cover (230V). Pass the cable through the cable anchorage point. Connect the supply cable wires (LIVE, NEUTRAL, & EARTH) to their corresponding terminals (L, N, & E) on the appliance – high voltage – terminal block. When connecting the EARTH wire, ensure that it's left slightly longer than the others, this will prevent strain on the EARTH wire should the cable become taut. Do not remove the link wire unless additional external controls are to be fitted (see section 8). The securing screw on the cable anchorage should now be tightened. This must be done before the terminal block cover is re-fitted in its position.

NOTE

It is the installer's responsibility to ensure that the appliance is properly Earthed. Vokèra Ltd. cannot be held responsible for any damages or injuries caused as a result of incorrect Earth wiring.



SECTION 5 - COMMISSIONING

5.1 GAS SUPPLY INSTALLATION

Inspect the entire installation including the gas meter, test for tightness and purge. Refer to BS 6891 (I.S. 813 in ROI) for specific instruction.

5.2 THE HEATING SYSTEM

The appliance contains components that may become damaged or rendered inoperable by oils and/or debris that are residual from the installation of the system, consequently it is essential that the system be flushed in accordance with the following instructions.

5.3 INITIAL FILLING OF THE SYSTEM

Ensure both flow and return service valves are open, remove appliance casing as described in 4.7.1, identify the automatic air release valves (AAV) and loosen the dust cap/s by turning the cap anti-clockwise one full turn. Ensure all manual air release valves located on the heating system are closed. Connect the filling loop as shown in fig. 5, slowly proceed to fill the system by firstly opening the inlet valve connected to the flow pipe, and then turning the lever on the fill valve, to the open position. As water enters the system the pressure gauge will begin to rise. Once the gauge has reached 1 BAR close both valves and begin venting all manual air release valves, starting at the lowest first. It may be necessary to go back and top-up the pressure until the entire system has been filled. Inspect the system for water tightness, rectifying any leaks.

5.4 INITIAL FLUSHING OF THE SYSTEM

The whole of the heating system must be flushed both cold and hot as detailed in 5.8. Open all radiator or heating valves and the appliance flow & return service valve. Drain the boiler and system from the lowest points. Open the drain valve full bore to remove any installation debris from the boiler prior to lighting. Refill the boiler and heating system as described in 5.3.

5.5 PRE-OPERATION CHECKS

Before attempting the initial lighting of the appliance, the following checks must be carried out:

- ensure all gas service valves from the meter to the appliance are open and the supply pipe has been properly purged;
- ensure the proper electrical checks have been carried out, (see 7.8) particularly continuity, polarity and resistance to earth;
- ensure the 3 AMP fuse – supplied with the appliance – has been fitted;
- ensure the system has been filled, vented and the pressure set to 1 BAR;
- ensure the flue system has been fitted properly and in accordance with the instructions;
- ensure all appliance service valves are open.

5.6 INITIAL LIGHTING

Ensure the electrical supply to the appliance is switched on. Ensure any external controls are switched to an 'ON' position and are calling for heat. Move the selector switch to the ON position, the appliance will now operate as described in 1.2. Should the appliance fail to ignite, refer to 5.6 and/or section 7 (mode of operation, parameter setting & faultfinding).

5.7 CHECKING GAS PRESSURE AND COMBUSTION ANALYSIS

The appliance is factory set and requires no additional adjustment once installed. However to satisfy the requirements of GSIUR 26/9 (I.S. 813 ROI), it will be necessary to gas rate the appliance using the gas meter that serves the appliance. If the installation does not include a gas meter (for example LPG) and there are no means by which to calculate the gas rate, then a combustion analysis test must be carried out in accordance with BS 7967 (UK) to ensure the appliance is left working safely and correctly. Additionally, if the gas valve has been adjusted, replaced, or the appliance has been converted for use with another gas

type, then it becomes necessary to carry out a combustion analysis/check to ensure that correct combustion is occurring. If there are no means to gas rate the appliance and/or carry out a combustion analysis check, then it will not be possible to complete the commissioning procedure.

Details on how to carry out the combustion analysis can be found in section 7.

IMPORTANT

It's imperative that a sufficient dynamic – gas – pressure is maintained at all times. Should the dynamic gas pressure fall below an acceptable level, the appliance may malfunction or sustain damage.

5.8 FINAL FLUSHING OF THE HEATING SYSTEM

The system shall be flushed in accordance with BS 7593 (I.S. 813 ROI). Should a cleanser be used, it must be suitable for copper heat exchangers. It shall be from a reputable manufacturer and shall be administered in strict accordance with the manufacturers' instructions and the DWTA code of practice.

NOTE

Chemicals used to cleanse the system and/or inhibit corrosion must be pH neutral, i.e. they should ensure that the level of the pH in the system water remains neutral. Premature failure of certain components can occur if the level of pH in the system water is out-with normal levels.

5.8.1 INHIBITORS

See Section 3 "General Requirements".

5.9 SETTING THE FLOW OUTLET TEMPERATURE

The flow outlet temperature can be adjusted between 40 °C - 80 °C for standard CH system by using the Heating thermostat knob (see fig.1).

5.9.1 SETTING THE DHW OUTLET TEMPERATURE

The DHW outlet temperature can be adjusted between 37 °C - 60 °C via the DHW thermostat knob (see fig.1).

5.10 SETTING THE SYSTEM DESIGN PRESSURE

The design pressure should be a minimum of 0.5 BAR and a maximum of 1.5 BAR. The actual reading should ideally be 1 BAR plus the equivalent height in metres (0.1 BAR = 1 metre) to the highest point in the system above the base of the appliance (up to the maximum of 1.5 BAR total). **N.B.** The safety valve is set to lift at 3 BAR/30 metres/45 psig. To lower the system pressure to the required value, drain off some water from the appliance drain valve until the required figure registers on the pressure gauge (see fig. 1).

5.11 REGULATING THE CENTRAL HEATING SYSTEM

Fully open all radiator and circuit valves and run the appliance for both heating and hot water until heated water is circulating. If conditions are warm remove any thermostatic heads. Adjust radiator return valves and any branch circuit return valves until the individual return temperatures are correct and are approximately equal.

5.11.1 REGULATING THE DHW FLOW-RATE

The appliance is fitted with a flow rate restrictor that limits the maximum flow rate that can be drawn through the appliance. The restrictor eliminates the need to manually adjust the DHW flow rate. However if it is felt necessary to further increase or decrease the available flow rate, spare restrictors are available to Vokèra spare parts.

The spare flow rate restrictors can be fitted to either increase or decrease the maximum flow rate.

5.11.2 FLOW-RATE RESTRICTOR

The boiler is supplied with the following flow restrictor.

Compact 24 SE: 10 - litres flow restrictor

5.12 FINAL CHECKS

- ENSURE ALL TEST NIPPLES ON THE APPLIANCE GAS VALVE ARE TIGHT AND CHECKED FOR TIGHTNESS.
- ENSURE THE APPLIANCE FLUE SYSTEM IS FITTED CORRECTLY AND IS PROPERLY SECURED.
- ENSURE ALL PIPE WORK IS RE-CHECKED FOR TIGHTNESS.
- RE-FIT APPLIANCE CASING.
- COMPLETE BENCHMARK CHECKLIST.

FOR UK ONLY

Complete details of the boiler, controls, installation and commissioning in the Benchmark checklist at the back of this book. It is important that the Benchmark checklist is correctly completed and handed to the user. Failure to install and commission the appliance to the manufacturers instructions may invalidate the warranty.

5.13 INSTRUCTING THE USER

Hand over all documentation supplied with this appliance – including these instructions – and explain the importance of keeping them in a safe place.

Explain to the user how to isolate the appliance from the gas, water and electricity supplies and the locations of all drain points. Show the user how to operate the appliance and any associated controls correctly.

Show the user the location of the filling valve and how to top-up the system pressure correctly and show the location of all manual air release points.

Explain to the user how to turn off the appliance for both long and short periods and advise on the necessary precautions to prevent frost damage.

Explain to the user that for continued safe and efficient operation, the appliance must be serviced annually by a competent person.

IMPORTANT

To validate the appliance warranty, it's necessary to register the appliance details with us. The warranty can be registered in several ways:

- by completing the warranty registration card and posting to us using the envelope supplied
- online at: vokera.co.uk
- for UK residents by calling: 0870 607 0281
- for ROI residents by calling: 056 6655057.

SECTION 6 - SERVICING INSTRUCTIONS

6.1 GENERAL

To ensure the continued safe and efficient operation of the appliance, it is recommended that it is checked and serviced at regular intervals. To ensure correct and safe operation of the appliance, it is essential that any worn or failed component be replaced only with a **genuine Vokèra spare part**. It should be remembered that although certain generic components may look similar, they will be specific to an individual appliance or product range. Use of non-genuine Vokèra spare parts could invalidate your warranty and may pose a potential safety hazard. The frequency of servicing will depend upon the particular installation conditions, but in general, once per year should be sufficient. It is the law that any servicing work is carried out by competent person such as a Vokèra engineer, an approved service agent, British Gas, GAS SAFE registered personnel or other suitably qualified personnel. The following instructions apply to the appliance and its controls, but it should be remembered that the central heating and the domestic hot water systems would also require attention from time to time.

6.2 ROUTINE ANNUAL SERVICING

- Check the operation of the appliance and ensure it functions as described in section 7.
- Compare the performance of the appliance with its design specification. The cause of any noticeable deterioration should be identified and rectified without delay.
- Thoroughly inspect the appliance for signs of damage or deterioration especially the flue system and the electrical apparatus.
- Check and adjust – if necessary – all burner pressure settings (see 7.4).
- Check and adjust – if necessary – the system design pressure (see 5.10).

- Carry out an analysis of the flue gases (see 7.5), and visually check the condition of the entire flue assembly.
- Compare the results with the appliance design specification. Any deterioration in performance must be identified and rectified without delay.
- Check that the burner and main heat exchanger are clean and free from any debris or obstruction.

6.3 REPLACEMENT OF COMPONENTS

Although it is anticipated that this appliance will give years of reliable, trouble free service, the life span of components will be determined by factors such as operating conditions and usage. Should the appliance develop a fault, the fault finding section will assist in determining which component is malfunctioning.

6.4 COMPONENT REMOVAL PROCEDURE

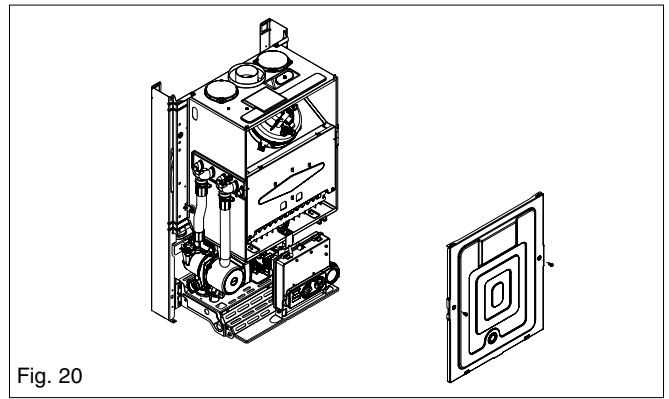
To remove a component, access to the interior of the appliance is essential. Isolate the appliance from the electrical supply and remove the fuse. And when necessary, close all service valves on the appliance, remove the appliance casing as described in section 4.7.1 and drain the water content from the appliance via the drain valve. Ensure some water absorbent cloths are available to catch any residual water that may drip from the appliance or removed component. Undertake a complete commissioning check as detailed in section 5, after replacing any component. **ALWAYS TEST FOR GAS TIGHTNESS IF ANY GAS CARRYING COMPONENTS HAVE BEEN REMOVED OR DISTURBED.**

6.4.1 AIR BOX FRONT COVER REMOVAL (fig. 20)

Locate the 4 screws and remove air box front cover.

6.5 PUMP ASSEMBLY (fig. 21)

Carry out component removal procedure as described in 6.4. Disconnect and remove the pump outlet pipe (A) from the pump assembly/combustion chamber connection. Remove the expansion pipe locking pin from the top of the pump assembly and withdraw the flexible pipe. Locate and remove the pressure gauge securing pin and disconnect the pressure gauge from the pump assembly. Disconnect the electrical wiring from the pump's electrical connection point. Locate and remove the 2 securing screws (E) at the rear of the pump assembly. Remove locking pin (F) from pump base and lift pump assembly clear of the hydraulic manifold. The pump assembly can now be removed from the appliance. Replace carefully in the reverse order.



6.6 SAFETY VALVE (fig. 22)

Carry out component removal procedure as described in 6.4. Disconnect the outlet pipe from the safety valve, remove safety valve locking pin (H) from the hydraulic manifold. Replace in the reverse order.

6.7 LOWER AUTOMATIC AIR RELEASE VALVE (fig. 21)

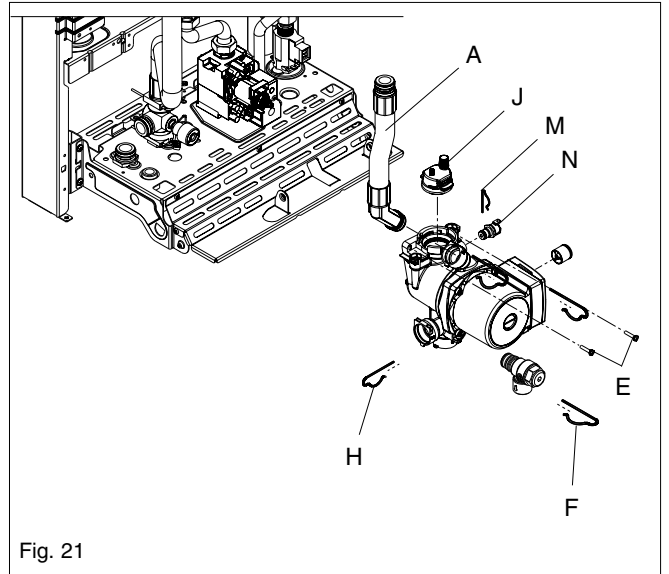
Carry out component removal procedure as described in 6.4. Rotate and remove the AAV assembly (J). Replace in the reverse order.

6.8 WATER PRESSURE SWITCH (fig. 22)

Carry out component removal procedure as described in 6.4. Locate and remove the locking pin (M) from the water pressure switch (N). Remove the wiring. Carefully withdraw the switch. Replace in the reverse order.

6.9 FLOW THERMISTOR (fig. 4 - pos. 10)

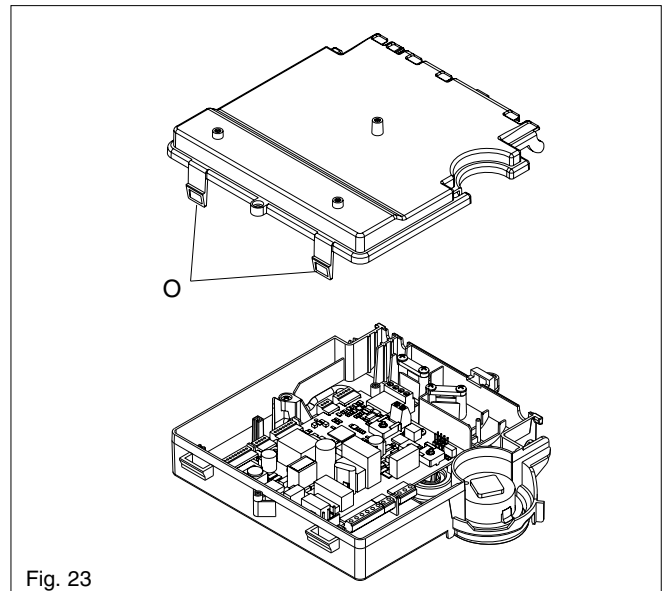
Carry out component removal procedure as described in 6.4. Unclip and remove the air chamber front cover. Unclip the flow thermistor from the flow outlet pipe. Disconnect thermistor electrical plug. Replace in the reverse order.



6.10 PRINTED CIRCUIT BOARD (fig. 23)

Carry out component removal procedure as described in 6.4. Pull the control fascia forward and lower it. Push the clips (O) which secure the PCB cover, remove cover, after carefully taking note of all wiring connections and jumper tag configuration. Unhook and remove connection block. Disconnect all wiring from the PCB, locate and remove the PCB securing screws, remove the required PCB. Replace in the reverse order ensuring that the position of the 2 control knobs are correctly aligned with the respective potentiometers on the PCB.

Ensure that the correct jumper tag configuration has been respected. It will be necessary to check the functioning of the PCB is set for the correct boiler type/application.



6.11 GAS VALVE (fig. 24)

Carry out component removal procedure as described in 6.4. The gas valve must be changed as complete unit. Disconnect the electrical plug and leads from the gas valve, slacken and unscrew gas valve inlet and outlet pipes connections. **Please note**, the sealing washers (**Q**) must be discarded and replaced with new sealing washers. Disconnect the compensation pipe from the gas valve. The gas valve can now be removed. Replace in the reverse order. Check and adjust burner pressure settings. **WARNING, A GAS TIGHTNESS CHECK MUST BE CARRIED OUT.**

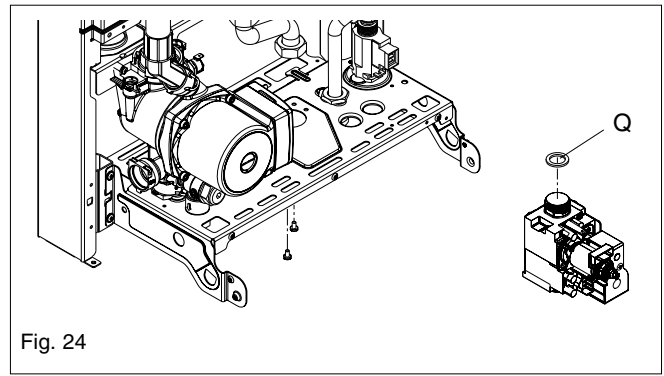


Fig. 24

6.12 BURNER (fig. 25)

Carry out component removal procedure as described in 6.4. Unscrew and remove the air box front cover (fig. 20). Locate and remove the six screws around the inner combustion cover and remove. Disconnect the spark plug cable connection, slide off the lower cable grommet from the seat of the air distribution box, remove the burner fixing screws and remove with the spark plug attached and corresponding cables. Replace in the reverse order.

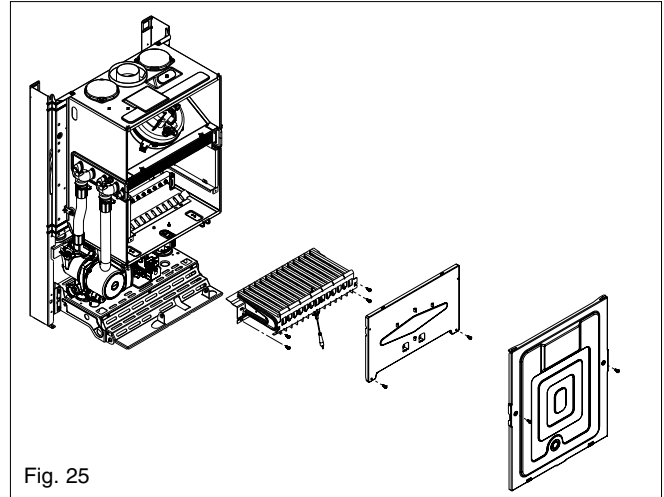


Fig. 25

6.13 MAIN HEAT EXCHANGER (fig. 26)

Carry out component removal procedure as described in 6.4. Unscrew and remove the air chamber front cover (fig. 20). Locate and remove the six screws around the inner combustion cover and remove. Remove locking pins and disconnect the pipes, from the flow and return connections on the heat exchanger. Disconnect the hot and cold connections on the heat exchanger. Disconnect the electrical plugs from the primary thermistor, the heat exchanger can now be withdrawn from the appliance. Replace in the reverse order. Ensure all seals are in good condition, taking care to ensure they are replaced correctly.

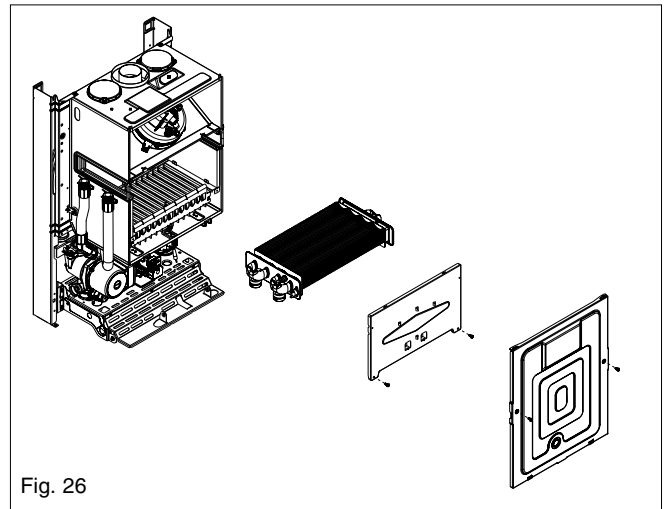


Fig. 26

6.14 AUTOMATIC BY-PASS (fig. 27)

Carry out component removal procedure as described in 6.4. Remove the circulator as described in 6.5. Using a hooked piece of wire, carefully withdraw the by-pass cartridge (**S1**). Ensure all seals are in good condition, taking care to ensure they are replaced correctly. Replace in the reverse order ensuring the cartridge is facing the correct way.

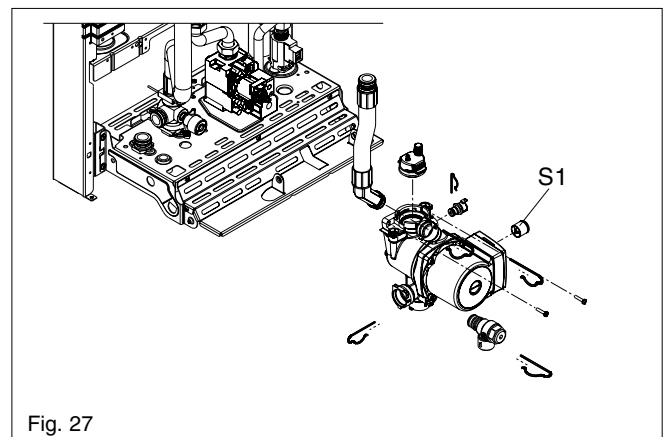


Fig. 27

6.15 EXPANSION VESSEL REMOVAL (fig. 28)

Carry out component removal procedure as described in 6.4. Disconnect the flexible expansion pipe from the vessel (fig. 28). Locate and remove the screws that secure the vessel (1). The expansion vessel can now be removed. Replace in the reverse order. Take extreme care when refitting the wiring to the air chamber. Ensure all seals are in good condition, taking care to ensure they are replaced correctly

6.15.1 DHW FLOW RESTRICTOR (fig. 29)

Carry out the component removal procedure as described in 6.4.

Remove the DHW inlet pipe from the DHW heat exchanger. Using a small screwdriver, gently ease the flow restrictor (C2) from its seating. Replace in the reverse order. Ensure all seals are in good condition, taking care to ensure they are replaced correctly.

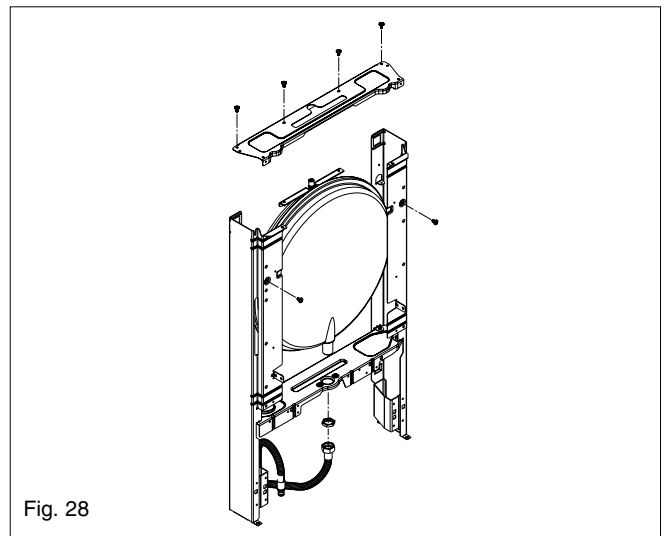


Fig. 28

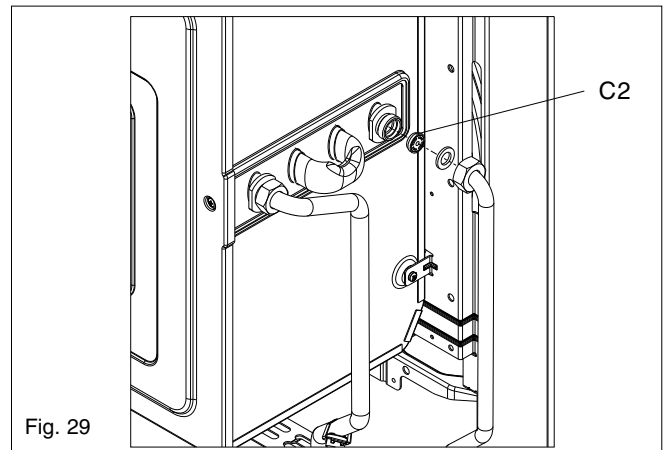


Fig. 29

6.15.2 DHW FLOW SWITCH (fig. 30)

Carry out component removal procedure as described in 6.4. Remove the locking pin. Disconnect and remove the cold water inlet pipe from the DHW flow switch & DHW heat exchanger. Disconnect the wiring to the DHW flow switch. Slacken and unscrew the inlet connection. Unscrew the nut (E2). Lift the DHW flow switch housing from its seating. If necessary remove the locking pin (F2) from the DHW flow switch, taking care not to lose the float contained within the housing.

Replace in the reverse order ensuring that the housing is firmly inserted onto its seating. Ensure all seals are in good condition, taking care to ensure they are replaced correctly.

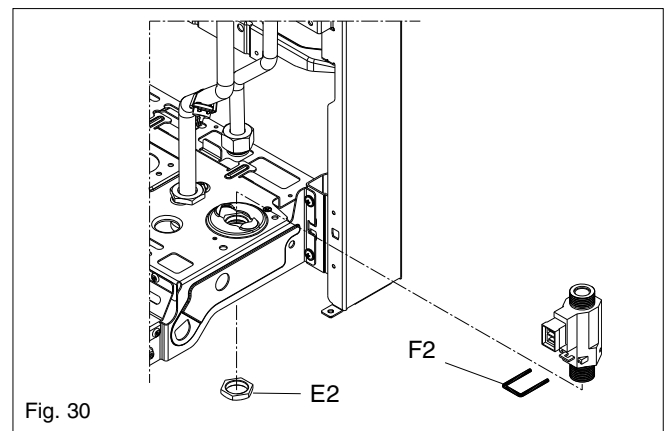


Fig. 30

6.15.4 DHW THERMISTOR (fig. 31)

Carry out component removal procedure as described in 6.4. Locate and disconnect the electrical plugs from the DHW thermistor. Gently ease the thermistor assembly (J2) from the DHW outlet pipe.

Replace in the reverse order.

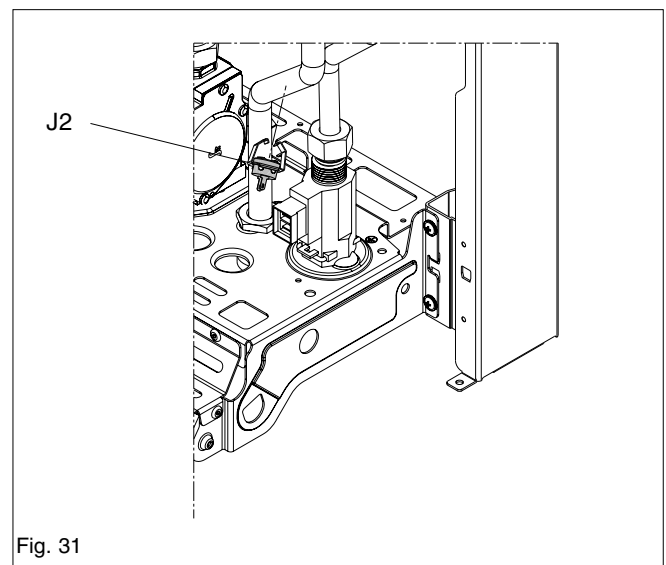


Fig. 31

SECTION 7 - CHECKS, ADJUSTMENTS AND FAULT FINDING

7.1 CHECKING APPLIANCE OPERATION

When carrying out any repairs or servicing to the appliance, the relevant commissioning procedure must be undertaken to ensure the continued safe operation of the appliance. Particular attention should be made to ensure gas tightness, water tightness and the electrical integrity of the appliance.

7.2 APPLIANCE MODES OF OPERATION

NOTE

There must be sufficient system water pressure (min. 0.5 bar) to ensure the water pressure switch is activated. If there is insufficient system pressure the pump and fan will be prevented from operating and the low-pressure fault code will be indicated.

7.2.1 SELECTOR SWITCH IN THE OFF/RESET POSITION

When the selector switch is in the OFF/RESET position, the following functions are active.

Active functions:

- frost-protection system
- pump & actuator anti-block.

7.2.2 ON-BOARD FUNCTIONS

- **CO FUNCTION:** the CO function when activated, will allow the appliance to run at CH maximum, DHW maximum or minimum output whilst a combustion analysis check or a mechanical gas valve calibration is being carried out. Whilst the CO function is active, all other functions are disabled (minimum power operating period, anti-cycle, set-point, etc). Once enabled, the CO function will remain active for a 15-minute period, or until the function is manually deactivated
- **FROST-PROTECTION:** this function is only active when there are no requests for heating or HW. If the temperature drops below 5°C, the boiler will operate on minimum power until the temperature of the thermistor reaches 35°C. Thereafter the pump & fan will over-run for 30-seconds.
- **ANTI-CYCLE FUNCTION:** the anti-cycle function ensures the burner remains switched off for at least 3-minutes after the set-point hysteresis (set-point + 5-deg) for CH heat request.
- **PUMP ANTI-BLOCK FUNCTION:** when there has been no heating or HW request for 24-hours, the anti-block cycle is activated. The pump will be activated for a period of 30-seconds.
- **SARA function:** the SARA function permits the boiler (when the set-point is within the SARA range) to automatically adjust (raise) the heating flow outlet temperature should the room thermostat contacts remain closed for more than 20-minutes.

7.2.3 HEATING MODE

With all controls calling for heat, the pump and fan will run. When the fan runs it proves the air pressure switch. The air pressure switch delivers current to the PCB and enables an ignition sequence to begin. The ignition sequence begins with the energising of the gas valve and a simultaneous sparking at the spark/sense electrode. This will continue for approximately 10 seconds or until successful ignition has been established. (If no ignition has been established within the ten seconds, the ignition attempt will be terminated and the appliance will go to lockout).

The appliance monitors the setting of the heating potentiometer against the temperature of the primary thermistor, and increases or decreases current to the modulating coil, this in turn adjusts the burner pressure, thus enabling the temperature to be maintained to within a few degrees (see section 5.10). When the temperature of the primary thermistor exceeds the setting of the heating potentiometer, ignition will be terminated and the appliance will anti-cycle for three minutes (timer delay). When a new ignition sequence begins the output of the appliance is set at minimum for two minutes.

NOTE

Any demand for hot water has the priority. If there is a demand for hot water whilst the appliance is anti-cycling, the timing will be cancelled once the demand for hot water has been satisfied.

7.2.4 HOT WATER MODE

Opening a hot water outlet and enabling a flow rate of 2 litres or more, causes the domestic water flow switch to activate. Activation of the domestic hot water flow switch allows the fan to run. When the fan is running it proves (switches) the air pressure switch. The air pressure switch delivers current to the PCB and enables an ignition sequence to begin. The ignition sequence begins with the energising of the gas valve and a simultaneous

sparking at the spark/sense electrode.

This will continue for approximately 10 seconds or until successful ignition has been established. (If no ignition has been established within the ten seconds, the ignition attempt will be terminated and the appliance will go to lockout). When ignition has been established, the appliance will quickly achieve and maintain the desired hot water temperature (see 5.13). The appliance monitors the setting of the hot water potentiometer against the temperature of the secondary thermistor, and increases or decreases current to the modulating coil, this in turn adjusts the burner pressure, thus enabling the temperature to be maintained to within a few degrees. When the temperature of the secondary thermistor exceeds the setting of the hot water potentiometer, ignition will be terminated until the temperature drops.

NOTE

The primary thermistor will override the secondary thermistor if the temperature of the primary thermistor exceeds 80 °C.

When the mode selector switch is set to heating and hot water, the pump will over-run for 30 seconds after any demand for heating or water has been satisfied.

When the mode selector switch is set to hot water only, the fan will over-run for one minute if the temperature of the primary thermistor exceeds 55 °C.

ATTENTION

Gas type and appliance output **must be set** according to the specific appliance specification. Vokèra accepts no responsibility if the gas type is not correctly adjusted according to the respective appliance specification as detailed on the appliance data badge.

7.3 ADJUSTMENTS

The boiler has already been adjusted by the manufacturer. If it is necessary to adjust it again, for example after extraordinary maintenance, after replacement of gas valve or after gas conversion, carry out the following procedure.

The maximum output adjustment must be carried out in the sequence indicated exclusively by qualified personnel.

- remove the shell unscrewing the fixing screws A
- unscrew by two turns the screw of the pressure test point downstream the gas valve and connecting the pressure gauge
- disconnect the compensation inlet of the air distribution box.

7.3.1 Maximum power and minimum domestic hot water adjustment

- Fully open the hot water tap
- on the control panel:
- set the mode selector to (summer)
- turn the domestic hot water temperature selector to its maximum
- power the boiler setting the system main switch to ON
- check that the pressure on the pressure gauge is stable; or with a multimeter in series to the modulator, make sure that the modulator supplies the maximum available current (120

- mA for G20 and 165 mA for LPG).
- carefully prise out the protection cap of the adjustment screws, using a screwdriver
- with a 10mm spanner, use the adjustment nut of the maximum output in order to obtain the value indicated in table
- disconnect the modulator electrical connection.
- wait until the pressure on the pressure gauge is stable at minimum value
- paying attention not to press the internal shaft, with a Phillips screwdriver turn the red adjustment screw to regulate the domestic hot water minimum temperature and calibrate until the pressure gauge reads the value indicated in table
- reconnect the modulator electrical connection.
- close the domestic hot water tap
- carefully refit the protection cap of the adjustment screws.

7.3.2 Minimum and maximum heating electric adjustment

The "electric adjustment" function is activated and deactivated exclusively by the jumper (JP1).

The function can be enabled in the following way:

- by powering the card with the jumper JP1 inserted and the mode selector in winter position, independently from the possible presence of other operation request.
- by inserting the jumper JP1, with the mode selector in winter position, without heat request in progress.

By activating the function the burner is ignited through simulation of heat request in heating.

To perform calibration operations, proceed as follow:

- switch off the boiler
- remove the shell and access the card
- insert the jumper JP1 to enable the knobs placed on the control panel to the minimum and maximum heating adjustment functions.
- make sure that the mode selector is in winter position
- power the boiler

Electric card in voltage (230 Volt)

- turn the heating water temperature adjustment knob B until it reaches the heating minimum value as indicated in the multigas table

- insert the jumper JP2
- turn the domestic hot water temperature adjustment knob C until it reaches the heating maximum value as indicated in the multigas table
- remove the jumper JP2 to store the heating maximum value
- **remove the jumper JP1 to store the heating minimum value and to get out the calibration procedure**
- reconnect the compensation inlet to the air distribution box

Disconnect the pressure gauge and retighten the pressure test point screw.

To finish the calibration function without storing the set values, proceed as follows:

- set the mode selector to position (OFF)
- remove power supply voltage

The calibration function is automatically finished, without storing minimum and maximum values, after 15 minutes of its activation.

The function is automatically finished also in case of definitive stop or lockout.

Also in this case, function conclusion DOES NOT provide values storing.

Note

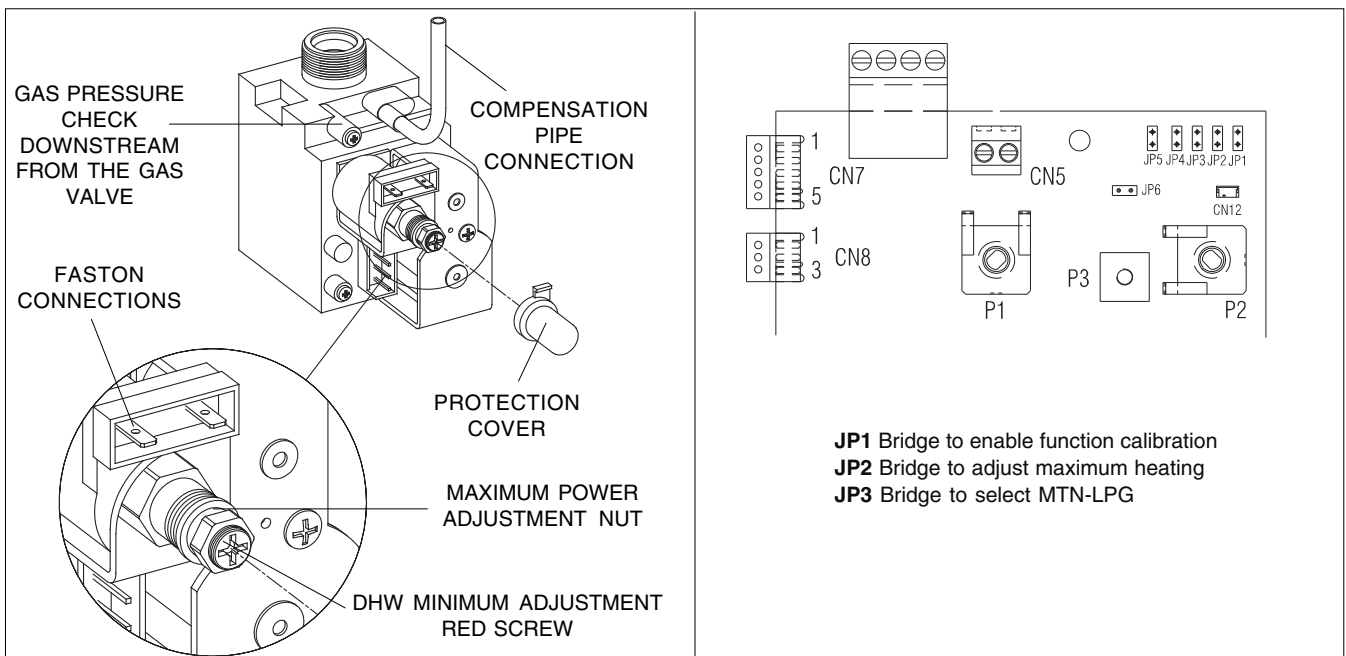
To calibrate only maximum heating, it is possible to remove the jumper JP2 (to store the maximum) and then get out from the function, without storing the minimum, setting the mode selector to (OFF) or removing the voltage from the boiler.

After each intervention on the adjustment element of the gas valve, seal it with sealing varnish.

When adjustment is complete:

- restore set temperature with the ambient thermostat to the desired temperature
- set the heating water temperature selector to the desired position
- close the instrument panel
- pull the shell back in place.

| MULTIGASTABLE | | Methane gas (G20) |
|---------------------------------------|------|-------------------|
| Maximum pressure downstream CH valve | mbar | 9.70 |
| Maximum pressure downstream DHW valve | mbar | 9.70 |
| Minimum pressure downstream CH valve | mbar | 1.90 |
| Minimum pressure downstream DHW valve | mbar | 1.30 |



7.4 COMBUSTION ANALYSIS TEST

To carry out the combustion analysis, proceed as follows:

- open the hot water tap to its maximum output
- set the mode selector to summer and the domestic hot water temperature selector to the maximum value
- remove the screw of the combustion analysis inlet cover and insert the probes
- power the boiler

The appliance works at maximum output and it is possible to check combustion.

After analysis is complete:

- close the hot water tap
- remove the probe from the analyser and close the combustion analysis inlet fastening carefully the screw previously removed.

7.5 CHECKING THE EXPANSION VESSEL

Carry out the component removal procedure as described in 6.4. You must ensure that the boiler is completely drained of water. Using a suitable pressure gauge, remove dust cap on expansion vessel and check the charge pressure. The correct charge pressure should be 1.0 bar \pm 0.1 bar. If the charge pressure is less, use a suitable pump to increase the charge.

NOTE

You must ensure the drain valve is in the open position whilst re-charging takes place. Replace the dust cap and carry out the relevant commissioning procedure (section 5).

7.6 EXTERNAL FAULTS

4.4 Light signals and faults

The control panel has two led that indicate the boiler operating status:

Green led

Flashing

- Flashing with frequency 0.5 second on - 3.5 seconds off = boiler in standby, there is no flame.
- Flashing with frequency 0.5 second on - 0.5 second off = temporary stop of the appliance due to the following self-restoring faults:
 - water pressure switch (standby time 10 minutes approximately)
 - differential air pressure switch (standby time 10 minutes approximately)
 - transitory waiting for ignition.

In this phase, the boiler waits for restoration of working conditions. If after standby time, the boiler will not restore regular operation, stop will be permanent and light signalling will be red.

- Fast flashing (frequency 0.1 sec. on; 0.1 sec. off; duration 0.5) input/output function S.A.R.A. (Italian acronym for Environment Automatic Adjustment System)

By setting the heating water temperature selector to the area marked by AUTO - temperature value from 55 to 65°C - the S.A.R.A. self-adjusting system is activated: the boiler varies the delivery temperature according to the closing signal of the ambient thermostat. When the temperature set with the heating water temperature selector is reached, a 20 minutes count begins. If during this period the ambient thermostat still requests heat, the value of the set temperature automatically increases by 5°C.

When the new value is reached, other 20 minutes count begins.

If during this period the ambient thermostat still requests heat, the value of the set temperature automatically increases by 5°C.

This new temperature value is the result of the temperature set manually with the heating water temperature selector and the increase of +10°C of the S.A.R.A function.

After the second increasing cycle, the temperature value is restored to the value set by the user and the above mentioned cycle is repeated until the ambient thermostat request is fulfilled.

Fixed green

if there is flame, the boiler works regularly.

Red led

The red led indicates a boiler lockout due to the following faults:

Fixed

- flame lockout
- air pressure switch intervention (after transient phase)
- NTC heating probe
- ACF electronic fault alarms

Flashing

- limit thermostat intervention

To reset operation, place the mode selector on OFF/stand-by, wait 5-6 seconds and take it then to the desired position: summer or winter mode.

If the boiler does not restore normal operation, contact the Technical Assistance Service.

Green flashing led + red flashing led

When the LEDs flash **simultaneously** it is a domestic water probe alarm and water pressure switch alarm (after transient phase). The boiler works regularly, but stability of the domestic hot water temperature is not guaranteed.

Contact the Technical Assistance Service for a control.

When the LEDs flash **alternatively** it means that there is a calibration procedure in progress.

7.7 ELECTRICAL CHECKS

Any electrical checks must be carried out by a suitably qualified person.

7.7.1 EARTH CONTINUITY TEST

Isolate the appliance from the electrical supply, and using a suitable multi-meter carry out a resistance test. Connect test leads between an appliance earth point and the earth wire of the appliance supply cable. The resistance should be less than 1 OHM. If the resistance is greater than 1 OHM check all earth wires and connectors for continuity and integrity.

7.7.2 SHORT CIRCUIT CHECK

Isolate the appliance from the electrical supply, and using a suitable multi-meter, carry out a short circuit test between the Live & Neutral connections at the appliance terminal strip. Repeat above test on the Live & Earth connections at the appliance terminal strip.

NOTE

Should it be found that the fuse has failed but no fault is indicated, a detailed continuity check will be required to trace the fault. A visual inspection of components may also assist in locating the fault.

7.7.3 POLARITY CHECK

With the appliance connected to the electrical supply and using a suitable multimeter, carry out the following voltage tests:

- connect test leads between the Live & Neutral connections at the appliance terminal strip. The meter should read approximately 230V ac. If so proceed to next stage. If not, see 7.7.4.
- connect test leads between the Live & Earth connections at the appliance terminal strip. The meter should read approximately 230V ac. If so proceed to next stage. If not, see 7.7.4.
- connect test leads between the Neutral & Earth connections at the appliance terminal strip. The meter should read approximately 0 – 15Vac. If so polarity is correct. If not, see 7.7.4.

7.7.4 REVERSED POLARITY OR SUPPLY FAULT

Repeat the above tests at the appliance isolator, if testing reveals correct polarity and/or supply at the isolator, re-check wiring and connections between the isolator and the appliance. If tests on the isolator also reveal reversed polarity or a supply fault, consult the local electricity supplier for advice.

7.7.5 RESISTANCE TO EARTH CHECK

Isolate the appliance from the electrical supply, and using a suitable multi-meter carry out a resistance test. Connect test leads between the Live & Earth connections at the appliance terminal strip. If the meter reads other than infinity there is a fault that must be isolated, carry out a detailed continuity check to identify the location of the fault.

These series of checks must be carried out before attempting any faultfinding procedures on the appliance. On completion of any task that required the disconnection and re-connection of any electrical wiring or component, these checks must be repeated.

7.8 FAULT FINDING

Before attempting any faultfinding, the electrical checks as detailed in 7.7 must be carried out. Isolate the appliance from the electrical supply.

Disconnect any external controls from terminal plug (CN5 fig. 39), and insert a link-wire between the two wires at the 'TA' connections.

NOTE

Restore the electrical supply to the boiler and turn the selector switch to the on position. The boiler should now function as described in section 7. Should the boiler fail to respond, the internal fuses and connectors should be checked to ensure integrity and continuity.

7.9 COMPONENT VALUES & CHARACTERISTICS

| COMPONENT | VALUE |
|---|---------|
| Fan | 230Vac |
| Pump | 230Vac |
| Ignition transformer | 230Vac |
| Gas valve | 230Vac |
| Room thermostat connection | 24Vdc |
| NTC thermistor (dry contact) | 10Kohm |
| NTC thermistor (wet contact) | 10Kohm |
| FUNCTION | VALUE |
| Standard Heating temperature range (min – max °C) | 40 - 80 |
| DHW temperature range (min – max °C) | 37 - 60 |
| 75% maximum CH time | 15 min |
| Heating OFF hysteresis (°C) | SP + 5 |
| Heating ON hysteresis (°C) | SP – 5 |
| DHW OFF hysteresis (°C) | SP + 5 |
| DHW ON hysteresis (°C) | SP + 4 |
| Anti-cycle delay | 3-min |
| Pump over-run | 30-sec |
| Low output (min. output + %) | Min+25 |
| CO function max temp. (°C) | 90 |
| CO re-light temp. (°C) | 78 |
| CO function time | 15-min |
| Flow NTC max temp. (°C) | 90 |
| High limit thermostat (°C) | 105 |
| Maximum differential (°C) | 35 |
| IGNITION CONTROL | VALUE |
| Ignition attempts before L/O (lockout) | 1 |
| Re-ignition attempts after loss of flame signal | 1 |

APPLIANCE STATUS LED AND FAULT CODES

When the boiler detects a temporary fault condition, the appropriate led indication is shown. If/when the fault is final, the pump will perform a 60-second post circulation and red LED will be illuminated. See table on page. 4.

SECTION 8 - WIRING DIAGRAMS

8.1 EXTERNAL WIRING

To allow basic operation of the boiler via the mode selector switch a link must be fitted across the ('CN5') terminals on the PCB. If external controls are to be added to the system, they must be connected to the appliance as shown in the following diagrams.

For advice on controls that are not featured in this book, please contact Vokèra technical on 0844 391 0999.

8.1.1 EXTERNAL WIRING LIMITATIONS

Any external wiring must remain within the limits as detailed:
room thermostat = 30-metres

8.2 TYPICAL CONTROL APPLICATIONS

The appliance can be used with the following controls:

- single-channel, voltage-free time clocks (fig. 39)
- programmable room thermostats (fig. 40)
- programmable RF room thermostats (fig. 39)
- low voltage (24Vdc) room thermostat (CN5 fig. 39)

8.3 OTHER DEVICES

Contact the controls manufacturer and/or Vokèra technical department should you require more specific information on the suitability of a particular control. Further guidance on the recommended practice for the installation of external controls, can be found in CHeSS – HC5/HC6 (www.energyefficiency.gov.uk).

8.4 VOKÈRA LOWER COVER MECHANICAL CLOCK (fig. 3)

The Vokèra lower cover mechanical clock kit (product code 20025081) is entirely suitable for the Compact 24SE and eliminates the need for an external time control.

The kit is comprised of the following:

- lower cover
- mechanical clock
- wiring harness
- instructions

Isolate the appliance from the electrical supply, remove the boiler casing (see 4.7.1) and locate the terminal block cover (see 4.7.2).

Connect the spade connections of the wiring harness to the terminal block:

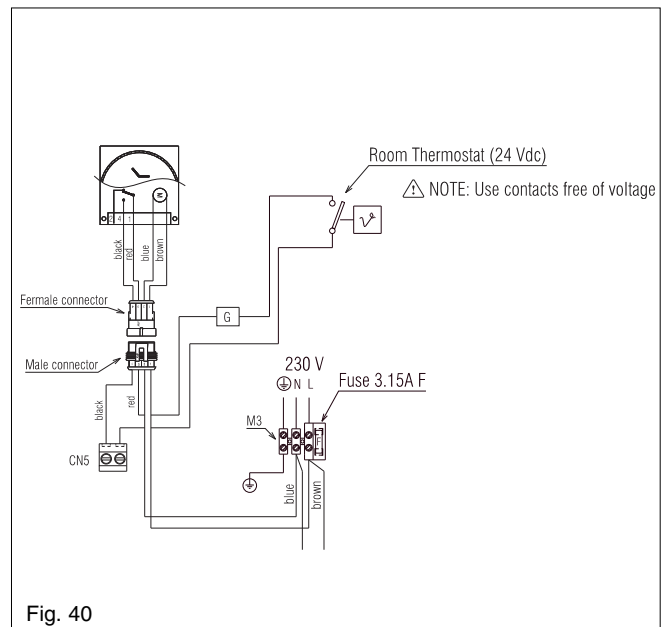
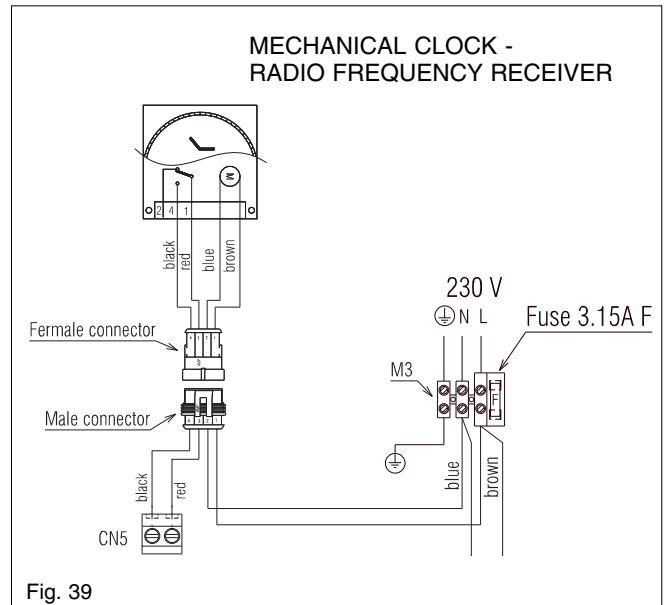
- identify the 2 black wiring (black color or black cable indication) and connect to the room thermostat terminal block (CN5 see fig. 39)
- identify the blue and brown wiring (blue/brown color or blue/brown cable indication) and connect to the M3 terminal block (see fig. 39).

Refit the appliance terminal block and the boiler casing.

Fit the cover kit to the boiler.

IMPORTANT

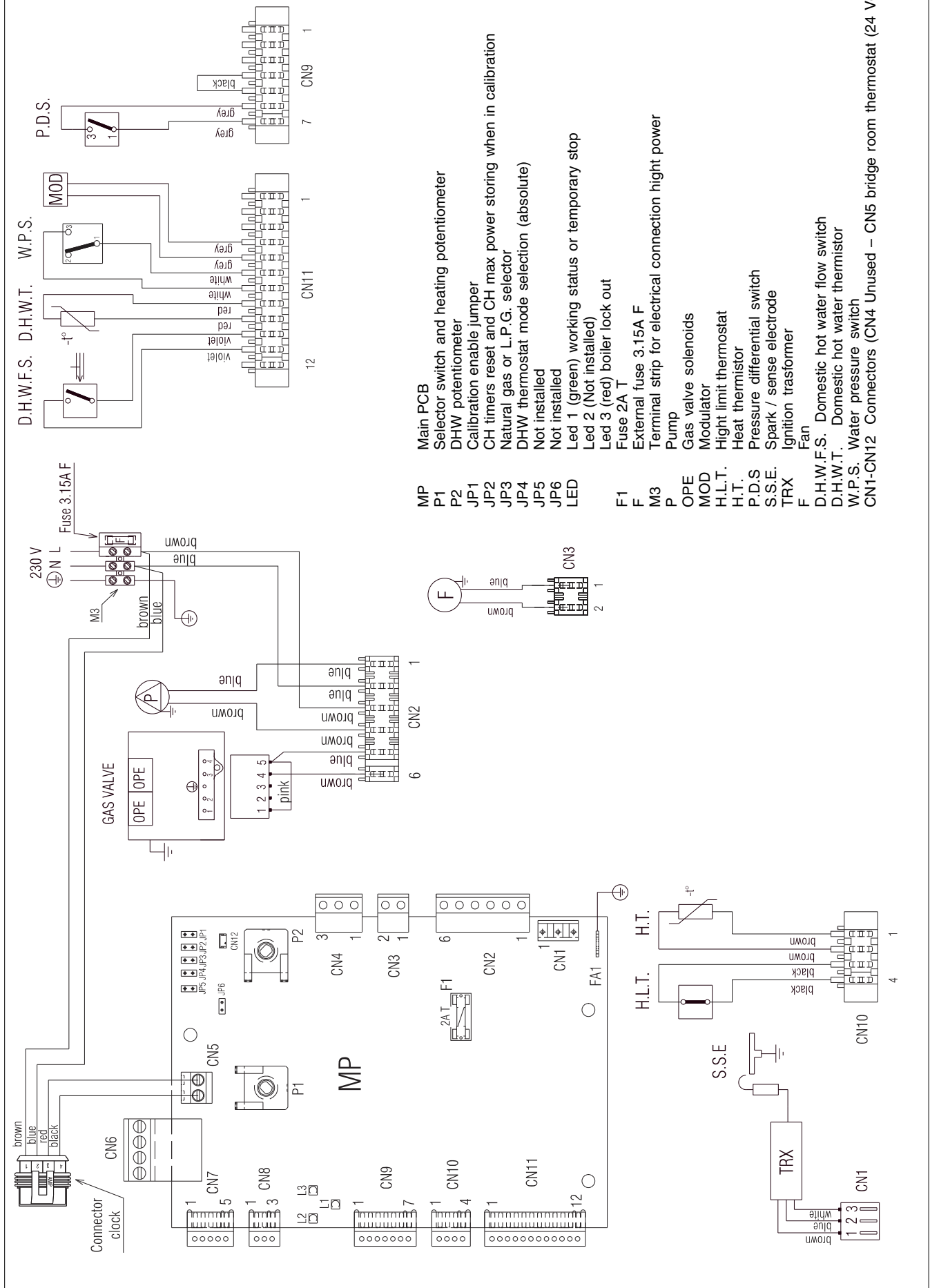
- The boiler must always be supplied with a permanent 230V electrical supply.
- Always remove any links between TA & TA on the CN5 PCB terminal (see fig. 39)
- The room thermostat connection is low voltage (24 Vdc)
- Do not connect any controls or auxiliary equipment to the low-voltage terminal strip, other than that approved/supplied by Vokèra Ltd.



FUNCTIONAL DIAGRAM

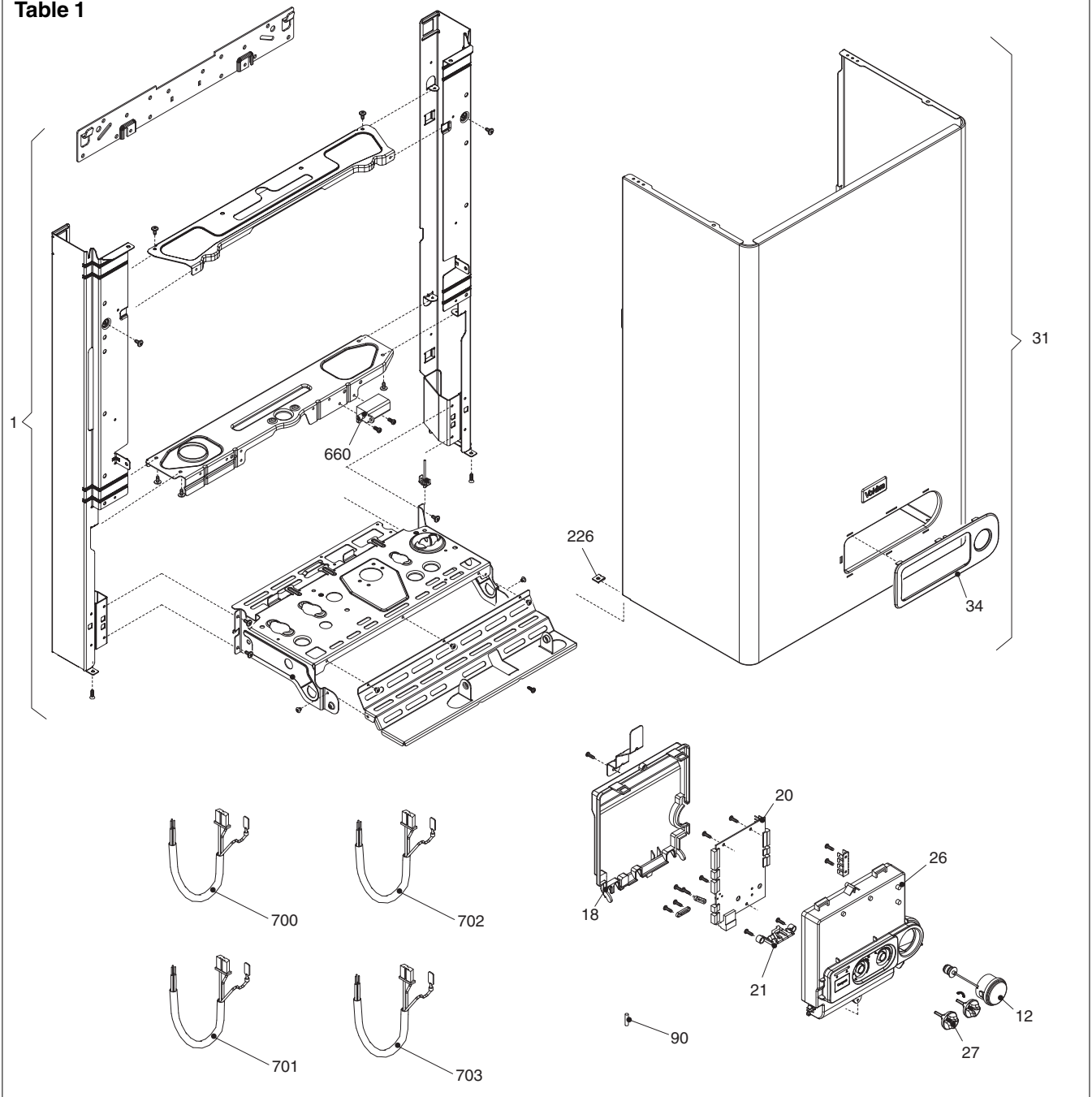
Fig. 41

NOTE: L-N-E connection is advisable



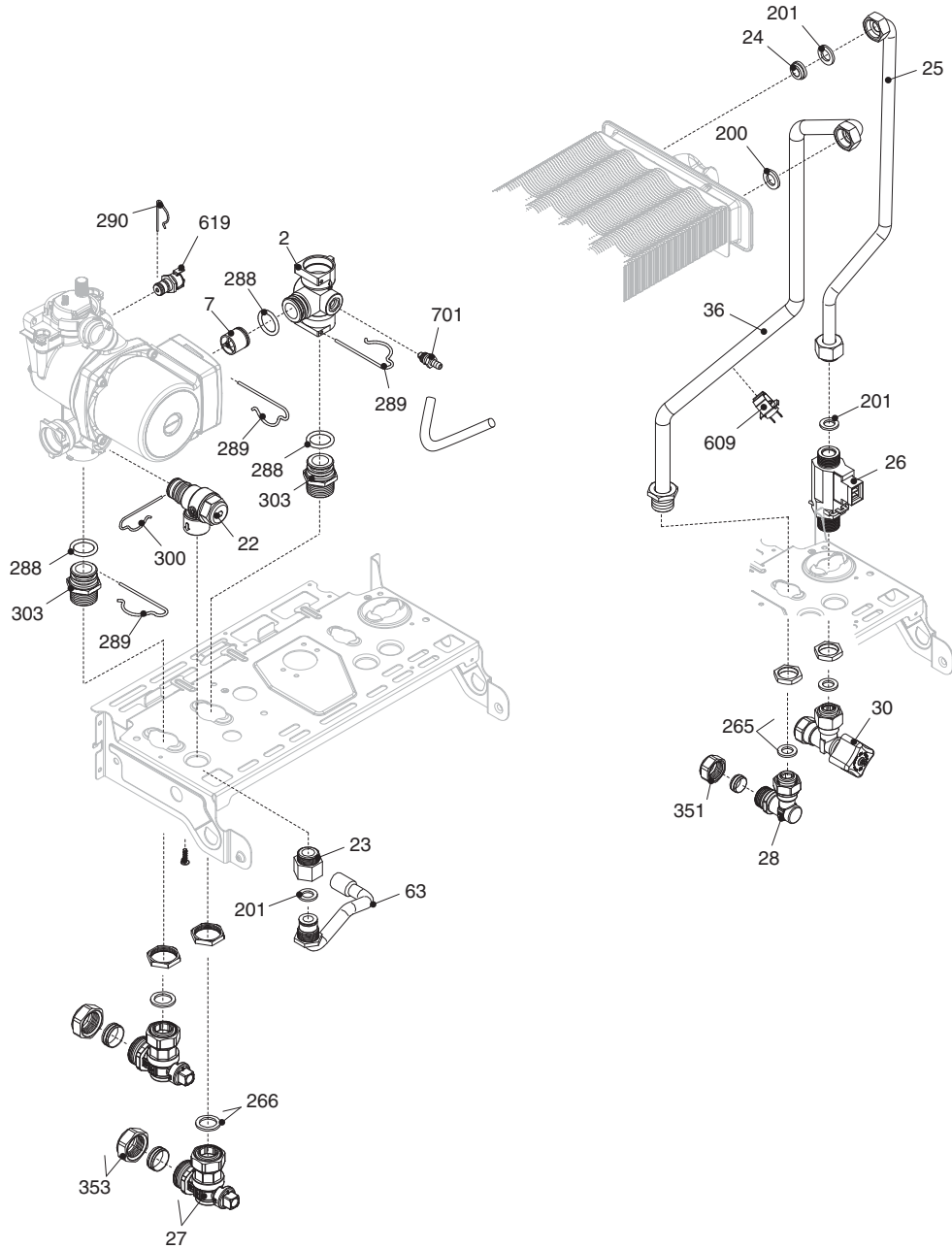
SECTION 9 - EXPLODED DIAGRAMS

Table 1



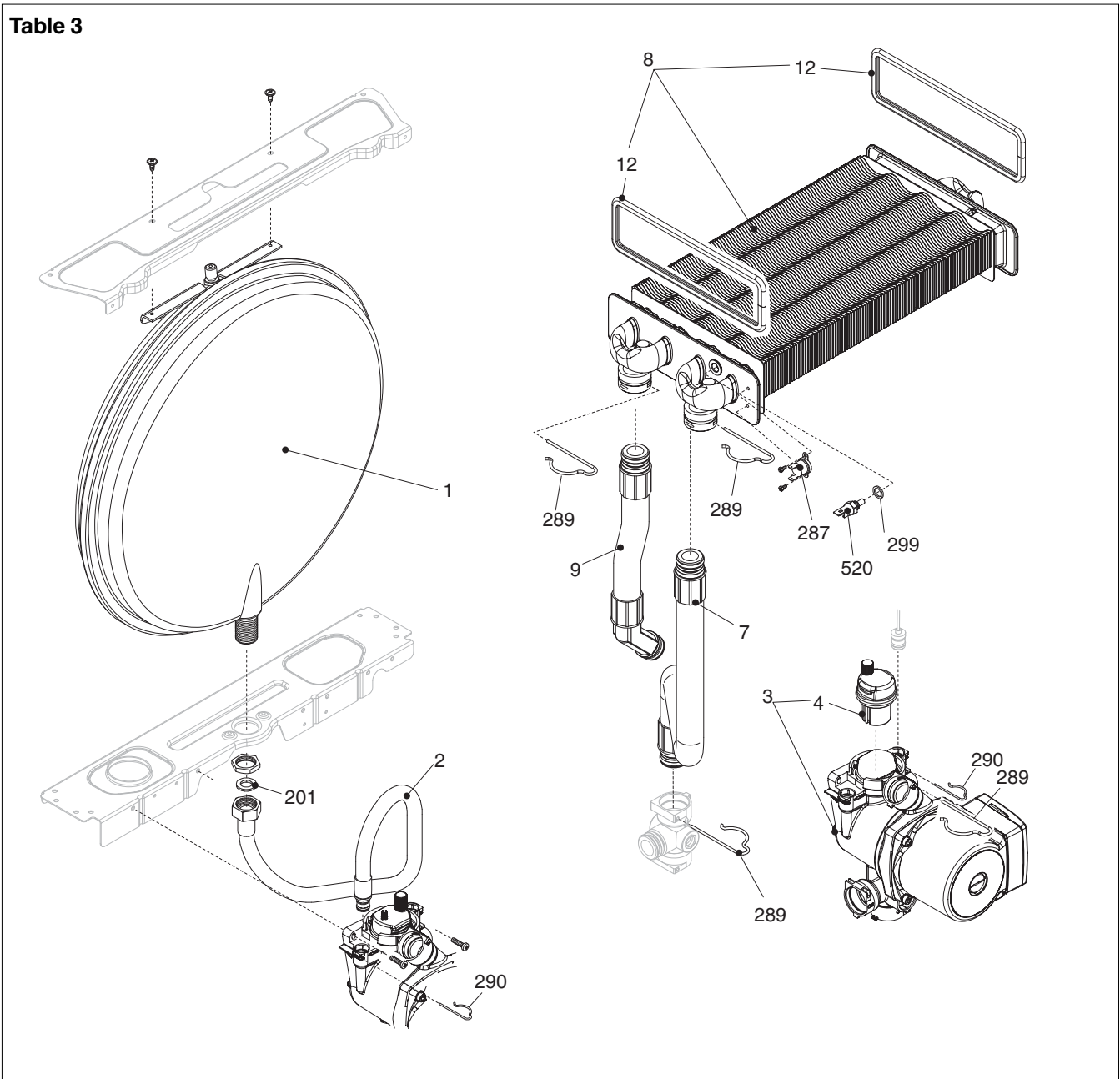
| POS. | DESCRIPTION | 28 SE |
|------|-----------------------------|----------|
| 1 | Frame assembly | 20020300 |
| 12 | Quick primer pressure gauge | 20005580 |
| 18 | Cover | 20005574 |
| 20 | Printed circuit board MP08 | 20005569 |
| 21 | Led light guide | 20013352 |
| 26 | Control panel | 20035608 |
| 27 | Knob | 20013055 |
| 31 | Case Assembly | 20035613 |
| 90 | Fuse | R3478 |
| 226 | Clip | R5128 |
| 660 | Ignition transformer | 20013354 |
| 700 | Cable | R1547 |
| 701 | Combustion cable | 20013349 |
| 702 | Power wiring harness | 20005572 |
| 703 | Low tension cable | 20013350 |

Table 2



| POS. | DESCRIPTION | 28 SE |
|------|------------------------|-----------|
| 2 | Connection | R10022658 |
| 7 | By-pass valve | R2047 |
| 22 | Safety valve | R2907 |
| 23 | Fitting/union | R10022499 |
| 24 | Flow governor | R9430 |
| 25 | Pipe | R10023950 |
| 26 | Dhw actuator | R10022349 |
| 27 | Heating cock | R1789 |
| 28 | Connection | R1790 |
| 30 | Water supply stop cock | R7099 |
| 36 | Pipe | 20013353 |
| 48 | Cock | 20000533 |
| 63 | Pipe | 20035609 |
| 201 | Washer | R5026 |
| 265 | Washer | R5236 |
| 266 | Washer | R5237 |
| 288 | Ring | R6898 |
| 289 | Clip | R2223 |
| 290 | Clip | R2165 |
| 300 | Clip | R2222 |
| 303 | Fitting/union | R2217 |
| 351 | Nut | R1823 |
| 353 | Nut | R1824 |
| 604 | Clip | 20000539 |
| 609 | Detector | 20000713 |
| 619 | Pressure | 20003181 |

Table 3



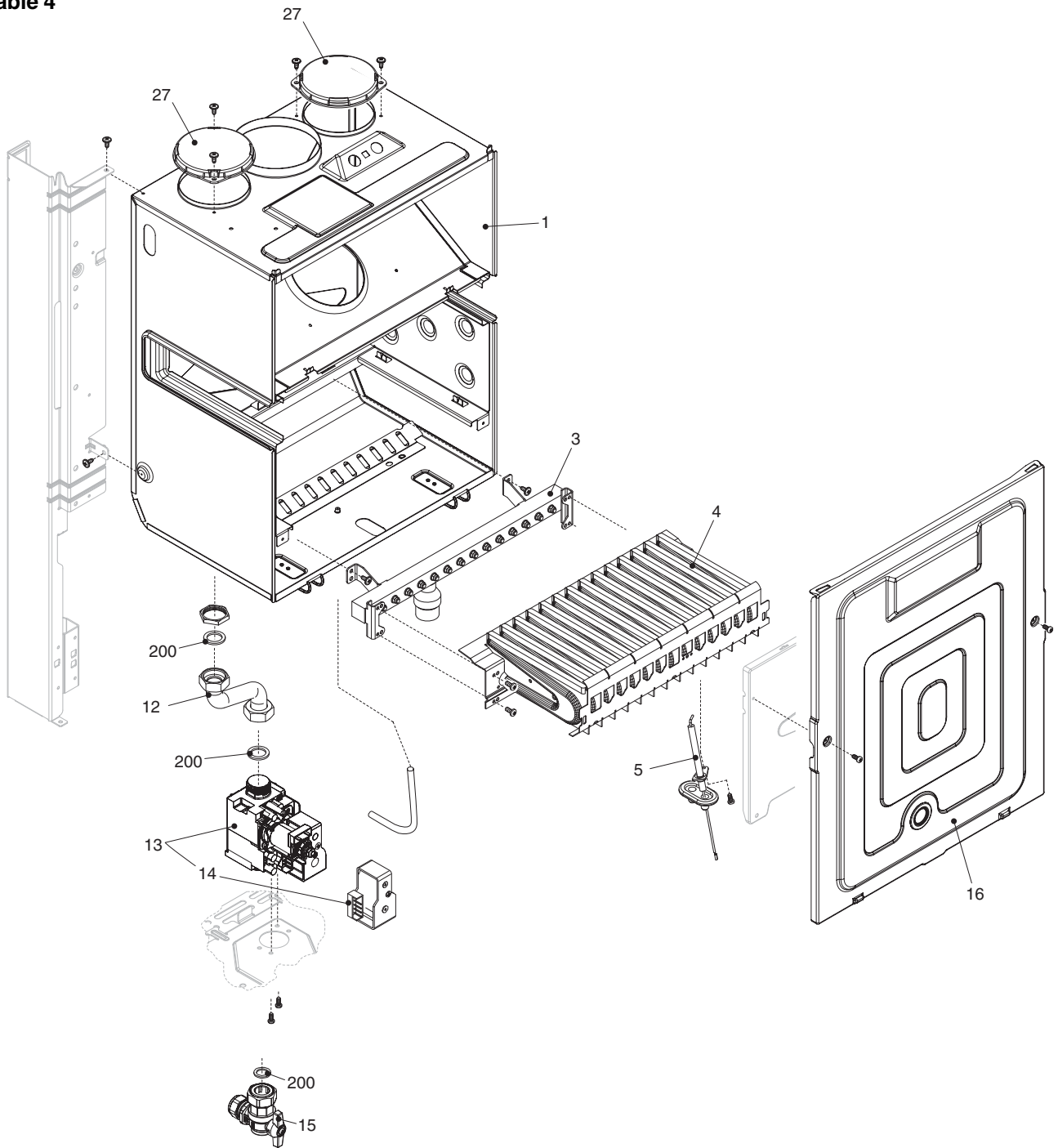
POS. DESCRIPTION

| | |
|-----|------------------|
| 1 | Expansion vessel |
| 2 | Pipe |
| 3 | Pump |
| 4 | Air vent bottle |
| 7 | Pipe |
| 8 | Heat exchanger |
| 9 | Pipe |
| 12 | Washer |
| 201 | Washer |
| 287 | High limit |
| 289 | Clip |
| 290 | Clip |
| 299 | Washer |
| 520 | NTC sensor |

28 SE

| |
|-----------|
| R2204 |
| R10023603 |
| 20002906 |
| 20035019 |
| R10023948 |
| R10023946 |
| R10023947 |
| R2226 |
| R5026 |
| R2258 |
| R2223 |
| R2165 |
| R10022726 |
| R10027352 |

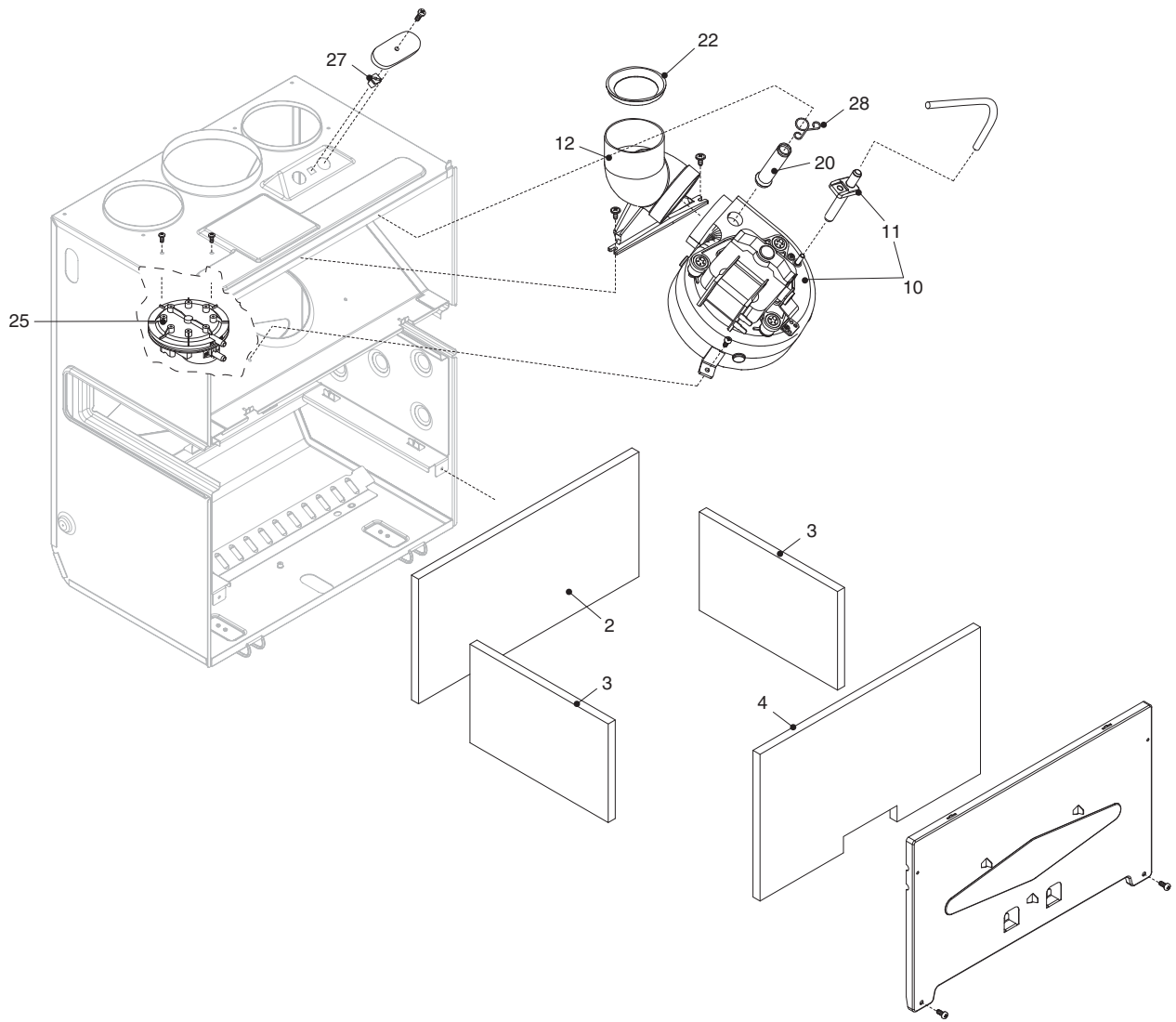
Table 4



POS. DESCRIPTION

| POS. | DESCRIPTION | 28 SE |
|------|-------------------------------|-----------|
| 1 | Air box bottom | R10023904 |
| 3 | Main burner injector manifold | R10023902 |
| 4 | Burner | R10023901 |
| 5 | Spark / ignition electrode | R10025985 |
| 12 | Gas pipe | R10023996 |
| 13 | Gas valve | 20035533 |
| 14 | Gas valve solenoid | R10020838 |
| 15 | 3/4" gas cock | R10020897 |
| 16 | Cover assembly | R10023928 |
| 27 | Hole cover | 20005586 |
| 200 | Washer | R5023 |

Table 5



| POS. | DESCRIPTION | 28 SE |
|------|-------------------------------------|-----------|
| 2 | Back insulatin panel | R10023909 |
| 3 | Combustion chamber insulation panel | R2231 |
| 4 | Combustion chamber insulation panel | R10023910 |
| 10 | Fan | R10023907 |
| 11 | Pressure tube | R10024191 |
| 12 | Fan connection | R10021972 |
| 20 | Fumes testing connection pipe | R10021973 |
| 22 | Flue flange Ø 43 | 20020311 |
| 22 | Flue flange Ø 45 | 20020309 |
| 22 | Flue flange Ø 47 | 20020310 |
| 25 | Pressure switch | R10023908 |
| 27 | Nut screw | R10020625 |
| 28 | Clip | R10020626 |

SECTION 10 - LPG INSTRUCTIONS

10.1 RELATED DOCUMENTS

| | | |
|---------|-------------|--|
| BS 5440 | PARTS 1 & 2 | FLUES & VENTILATION REQUIREMENTS |
| BS 5449 | PART 1 | FORCED CIRCULATION OF HOT WATER SYSTEMS |
| BS 5482 | PART 1 | DOMESTIC BUTANE & PROPANE GAS BURNERS IN PERMANENT DWELLINGS |
| BS 5546 | | INSTALLATION OF GAS HOT WATER SUPPLIES FOR DOMESTIC PURPOSES |
| BS 6798 | | INSTALLATION OF BOILERS OF RATED NOT EXCEEDING 60kW |

10.2 TECHNICAL DATA

| Gas Pressures | Compact 24 SE |
|--|---------------|
| Inlet pressure | 37.0 mbar |
| Heating maximum gas rate (kg/hr) | 2.35 |
| DHW maximum gas rate (kg/hr) | 2.35 |
| Heating minimum gas rate (kg/hr) | 0.99 |
| DHW minimum gas rate (kg/hr) | 0.82 |
| Maximum burner pressure (mbar) | 35.8 |
| Heating minimum burner pressure (mbar) | 6.9 |
| DHW minimum burner pressure (mbar) | 5.0 |
| Injector size (mm) | 0.76 |
| CO ₂ @ maximum output (%) | 7.9 |
| CO ₂ @ minimum output (%) | 3.0 |
| CO @ maximum output (ppm) | 70 |
| CO @ minimum output (ppm) | 160 |

10.3 GAS CONVERSION OPERATIONS

Converting the appliance to another gas type can be performed easily once the boiler is installed.

The boiler is designed to operate with methane gas G20) according to the product label. It is possible to convert the boilers from one gas type to another by using the appropriate kit supplied upon request:

- Methane conversion kit
- LPG conversion kit

For disassembly refer to instructions below:

- remove power supply from the boiler and close the gas tap
- remove in sequence: shell, air distribution box over and combustion chamber cover (fig. 20)
- disconnect the spark plug cable connection
- slide off the lower cable grommet from the seat of the air distribution box
- remove the burner fixing screws and remove burner with the spark plug attached and corresponding cables
- using a socket or spanner, remove the injectors and the washers and replace them with the ones in the kit.

Use and assemble the washers contained in the kit also in case of manifolds without washers.

- reinsert the burner in the combustion chamber and tighten the screws fixing it to the gas manifold
- place the cable grommet with the spark plug cable in its seat in the air distribution box
- restore connection of the spark plug cable
- refit the combustion chamber cover and the cover of the air distribution box
- overturn the control instrument panel towards the boiler front part
- open the card cover
- on the control card:
 - if the conversion is from methane gas to LPG, insert the jumper in position JP3
 - if the conversion is from LPG to methane gas, remove the jumper from position JP3
- reposition the components previously removed
- restore voltage to the boiler and reopen the gas tap (with boiler in operation, check correct seal of the gas feeding circuit connections).

Conversion must be carried out by qualified personnel. After conversion, adjust the boiler again following the indications in specific section and apply the new identification label contained in the kit.

SERVICE RECORD

It is recommended that your heating system is serviced regularly and that the appropriate Service Record is completed.

Service Provider

Before completing the appropriate Service Record below, please ensure you have carried out the service as described in the manufacturer's instructions.

Always use the manufacturer's specified spare part when replacing controls.

SERVICE 1 Date _____
Energy Efficiency Checklist completed? Yes No
Engineer Name _____
Company Name _____
Telephone Number _____
CORGI ID Number _____
Comments _____
Signature _____

SERVICE 2 Date _____
Energy Efficiency Checklist completed? Yes No
Engineer Name _____
Company Name _____
Telephone Number _____
CORGI ID Number _____
Comments _____
Signature _____

SERVICE 3 Date _____
Energy Efficiency Checklist completed? Yes No
Engineer Name _____
Company Name _____
Telephone Number _____
CORGI ID Number _____
Comments _____
Signature _____

SERVICE 4 Date _____
Energy Efficiency Checklist completed? Yes No
Engineer Name _____
Company Name _____
Telephone Number _____
CORGI ID Number _____
Comments _____
Signature _____

SERVICE 5 Date _____
Energy Efficiency Checklist completed? Yes No
Engineer Name _____
Company Name _____
Telephone Number _____
CORGI ID Number _____
Comments _____
Signature _____

SERVICE 6 Date _____
Energy Efficiency Checklist completed? Yes No
Engineer Name _____
Company Name _____
Telephone Number _____
CORGI ID Number _____
Comments _____
Signature _____

SERVICE 7 Date _____
Energy Efficiency Checklist completed? Yes No
Engineer Name _____
Company Name _____
Telephone Number _____
CORGI ID Number _____
Comments _____
Signature _____

SERVICE 8 Date _____
Energy Efficiency Checklist completed? Yes No
Engineer Name _____
Company Name _____
Telephone Number _____
CORGI ID Number _____
Comments _____
Signature _____

SERVICE 9 Date _____
Energy Efficiency Checklist completed? Yes No
Engineer Name _____
Company Name _____
Telephone Number _____
CORGI ID Number _____
Comments _____
Signature _____

SERVICE 10 Date _____
Energy Efficiency Checklist completed? Yes No
Engineer Name _____
Company Name _____
Telephone Number _____
CORGI ID Number _____
Comments _____
Signature _____



Cod. 20029904 - 03/11 - Ed. 0

Registered address:

Vokèra Ltd
Borderlake House
Unit 7 Riverside Industrial Estate
London Colney
Herts AL2 1HG

enquiries@vokera.co.uk

www.vokera.co.uk
www.vokera.ie

Sales, General Enquires

T 0844 391 0999
F 0844 391 0998

Vokèra Ireland
West Court, Callan
Co Kilkenny
T 056 7755057
F 056 7755060

Vokèra Limited reserve the right to change
specification without prior notice
Consumers statutory rights are not affected.

A Riello Group Company.
Company Reg No: 1047779