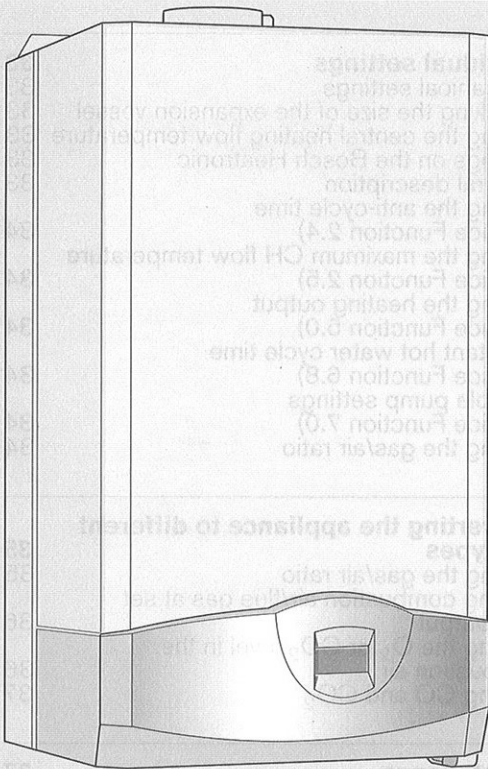


# Installation and Servicing Instructions

## GREENSTAR HE plus combi



Wall mounted condensing boiler for central heating and mains fed domestic hot water



6 720 610 598-00.10

**ZWBR 7-30 HE plus** GC-Number: 47 311 75  
**ZWBR 11-35 HE plus** GC-Number: 47 311 57



# Contents

---

<b>Safety precautions</b>	<b>3</b>
---------------------------	----------

---

<b>Symbols</b>	<b>3</b>
----------------	----------

---

<b>1 Details of the appliance</b>	<b>4</b>
1.1 EC Declaration of Conformity	4
1.2 Standard package	4
1.3 Description of appliance	4
1.4 Accessories	5
1.5 Casing dimensions	5
1.6 Layout of appliance	6
1.7 Function	7
1.8 Electrical wiring diagram	8
1.9 Technical data	9

---

<b>2 Installation regulations</b>	<b>11</b>
-----------------------------------	-----------

---

<b>3 Installation</b>	<b>11</b>
3.1 Important remarks	11
3.2 Domestic hot water	12
3.3 Sealed systems	12
3.4 Siting the appliance	13
3.5 Wall mounting frame assembly	14
3.6 Pre-piping the system	14
3.7 Fitting the appliance	15
3.8 Checking the connections	16
3.9 Flue Systems	17
3.9.1 Siting the Flue Terminal	18
3.9.2 Installation of the flue	19
3.9.3 Flue duct preparation and assembly	21

---

<b>4 Electrical connections</b>	<b>22</b>
4.1 Connecting the appliance	22
4.2 Connecting TR2 Room thermostat	23
4.3 Mains Voltage external controls connections	23

---

<b>5 Commissioning</b>	<b>24</b>
5.1 Commissioning	24
5.2 Switching the appliance on/off	25
5.3 Switching on the central heating	25
5.4 System controls	25
5.5 Setting the domestic hot water temperature and flow rate	26
5.5.1 Domestic hot water temperature	26
5.5.2 Hot water flow rate	26
5.6 Summer mode (hot water only)	26
5.7 Frost protection	26
5.8 Pump anti-seize function	26
5.9 Fault Condition	27

---

<b>6 Text Display</b>	<b>28</b>
6.1 General Description	28
6.2 Programming	28
6.2.1 Deleting a setting	29
6.2.2 Resetting all parameters to their original settings.	29
6.3 Menu structure	29
6.4 Setting the time/day	30
6.4.1 Setting the time and day	30
6.4.2 Holidays	30
6.5 Heating	30
6.5.1 Heating programme	30
6.5.2 Setting the Economy temperature (if TR2 is connected)	30
6.5.3 Manual operating mode (if TR2 is not connected)	31

6.6 Hot water	31
6.6.1 Hot water programme	31
6.6.2 Hot water immediately	31
6.7 i Info	31
6.8 Settings	32
6.8.1 Heating (if TR 2 is connected)	32
6.8.2 Hot Water (Storage Tank, ZSBR models only)	32
6.8.3 Service	32
6.9 Individual timer programmes	32

---

<b>7 Individual settings</b>	<b>33</b>
7.1 Mechanical settings	33
7.1.1 Checking the size of the expansion vessel	33
7.1.2 Setting the central heating flow temperature	33
7.2 Settings on the Bosch Heatronic	33
7.2.1 General description	33
7.2.2 Setting the anti-cycle time (Service Function 2.4)	34
7.2.3 Setting the maximum CH flow temperature (Service Function 2.5)	34
7.2.4 Setting the heating output (Service Function 5.0)	34
7.2.5 Constant hot water cycle time (Service Function 6.8)	34
7.2.6 Variable pump settings (Service Function 7.0)	34
7.3 Setting the gas/air ratio	34

---

<b>8 Converting the appliance to different gas types</b>	<b>35</b>
8.1 Setting the gas/air ratio	35
8.2 Testing combustion air/flue gas at set heat output	36
8.2.1 Testing the O <sub>2</sub> or CO <sub>2</sub> level in the combustion air	36
8.2.2 Testing CO and CO <sub>2</sub>	37

---

<b>9 Maintenance</b>	<b>37</b>
9.1 Pre-Service Check List	38
9.2 Description of servicing operations	39
9.3 Replacement of Parts	42
9.3.1 PCB control board and transformer	42
9.3.2 Fan Assembly	43
9.3.3 Pump	43
9.3.4 3-way diverter valve	44
9.3.5 3-way diverter valve motor	44
9.3.6 Sensors	44
9.3.7 Gas Valve	45
9.3.8 Domestic Hot Water Heat Exchanger	45
9.3.9 Electrode assembly	45
9.3.10 Pressure gauge	45
9.3.11 Expansion vessel	45
9.3.12 Pressure Relief Valve	45
9.3.13 Burner	45
9.3.14 Flow switch	46
9.3.15 Primary Heat Exchanger	46

---

<b>10 Appendix</b>	<b>47</b>
10.1 Fault Codes	47
10.2 Short parts list	48
10.3 Heating/hot water output settings ZWBR 7-30 N.G.	49
10.4 Heating/hot water output settings ZWBR 11-30 L.P.G	49
10.5 Heating/hot water output settings ZWBR 11-35 N.G.	49
10.6 Heating/hot water output settings ZWBR 14-35 L.P.G	49
10.7 Operational Flow diagrams	50
10.7.1 Domestic hot water function	50
10.7.2 Central heating function	51

## Safety precautions

### If you smell gas

- ▶ Turn off gas service cock at the meter.
- ▶ Open windows and doors.
- ▶ Do not operate any electrical switches.
- ▶ Extinguish any naked flames.
- ▶ Telephone your gas company.

### If you smell fumes from the appliance

- ▶ Switch off appliance (see page 25).
- ▶ Open windows and doors.

### Fitting and modifications

- ▶ Fitting of the appliance or any controls to the appliance may only be carried out by a competent engineer in accordance with the Gas Safety (Installation and Use) Regulations 1998.
- ▶ Flue systems must not be modified in any ways other than as described in the fitting instructions.
- ▶ This appliance is for use on sealed primary systems only.

### Maintenance

- ▶ **The user is recommended:** to have the system regularly serviced in order to ensure that it functions reliably and safely.
- ▶ Use only original spare parts!

### Combustible materials

- ▶ Do not store or use any combustible materials (paper, thinners, paints etc.) in the vicinity of the appliance.

### Health and safety

- ▶ This appliance contains no asbestos products.
- ▶ There is no potential hazard due to the appliance being electrically unsafe.
- ▶ There are no substances used in the construction that are a potential hazard in relation to the COSHH Regulations (Control of Substances Hazardous to Health Regulations 1988).

### Combustion air/Ambient atmosphere

- ▶ The combustion air/ambient atmosphere should be kept free of chemically aggressive substances (e.g. halogenated hydrocarbons which contain chlorine or fluorine compounds). This will prevent corrosion.

### Instructions to the customer

- ▶ Explain to the customer how the appliance works and how to operate it.
- ▶ Advise the user that he/she must not make any modifications to the appliance or carry out any repairs on it.
- ▶ These instructions are to be left with the user or at the Gas meter.
- ▶ Important: These instructions apply in the UK only.

## Symbols



**Safety instructions** in this document are identified by a warning-triangle symbol and are printed on a grey background.



**Notes** containing important information are identified by the symbol shown on the left. They are bordered by horizontal lines above and below the text.

## 1 Details of the appliance

### 1.1 EC Declaration of Conformity

This appliance is in accordance with the applicable requirements of the Gas Appliance Directive, Boiler Efficiency Directive, Electromagnetic Compatibility Directive and the Low Voltage Directive.

<b>PIN</b>	CE-0085 BL0507
<b>Category UK</b>	II <sub>2H</sub> 3P
<b>Appliance Type</b>	C <sub>13</sub> , C <sub>33</sub>

Table 1

### 1.2 Standard package

- Gas condensing combination boiler for central heating and domestic hot water
- Control panel cover
- Wall mounting frame
- Clamp for securing flue duct kit
- Fixings (screws etc.)
- Set of documentation for appliance
- Pre-plumbing manifold
- Condensate drain pipe
- Filling loop.

### 1.3 Description of appliance

- Wall-mounted appliance, siting not dependent on room size
- Natural gas models are low-emission appliances
- Multifunction display
- Bosch Heatronic control system with integrated text display for service functions and faults
- 3-channel - digital timer for one heating circuit
- variable pump
- Automatic ignition
- Modulating control
- Full safety systems incorporating Bosch Heatronic with flame ionisation monitoring, solenoid valves and temperature sensors
- Concentric flue/air duct with testing point for CO<sub>2</sub>/CO
- Regulated speed fan
- Pre-mix burner
- Temperature control for central heating
- Temperature sensor in domestic hot water
- Safety temperature limiter in 24 V electrical circuit
- Relief valve, pressure gauge, expansion vessel
- Flue gas temperature limiter (105 °C)
- Hot water priority circuit
- Motorised 3-way valve
- Plate-type heat exchange
- Condensate Trap.

## 1.4 Accessories

- Standard horizontal flue kit at 100 mm outside diameter for flues upto 4 m in length.
- Flue duct kits for horizontal (125 mm outside diameter) for flue lengths upto 10 m (ZWBR 11-35) or 13 m (ZWBR 7-30) and vertical flue systems for flue lengths 12 m (ZWBR 11-35) or 15m (ZWBR 7-30). Fitting instructions are sent with these kits.
- Heating programmer
- Security kit.

## 1.5 Casing dimensions

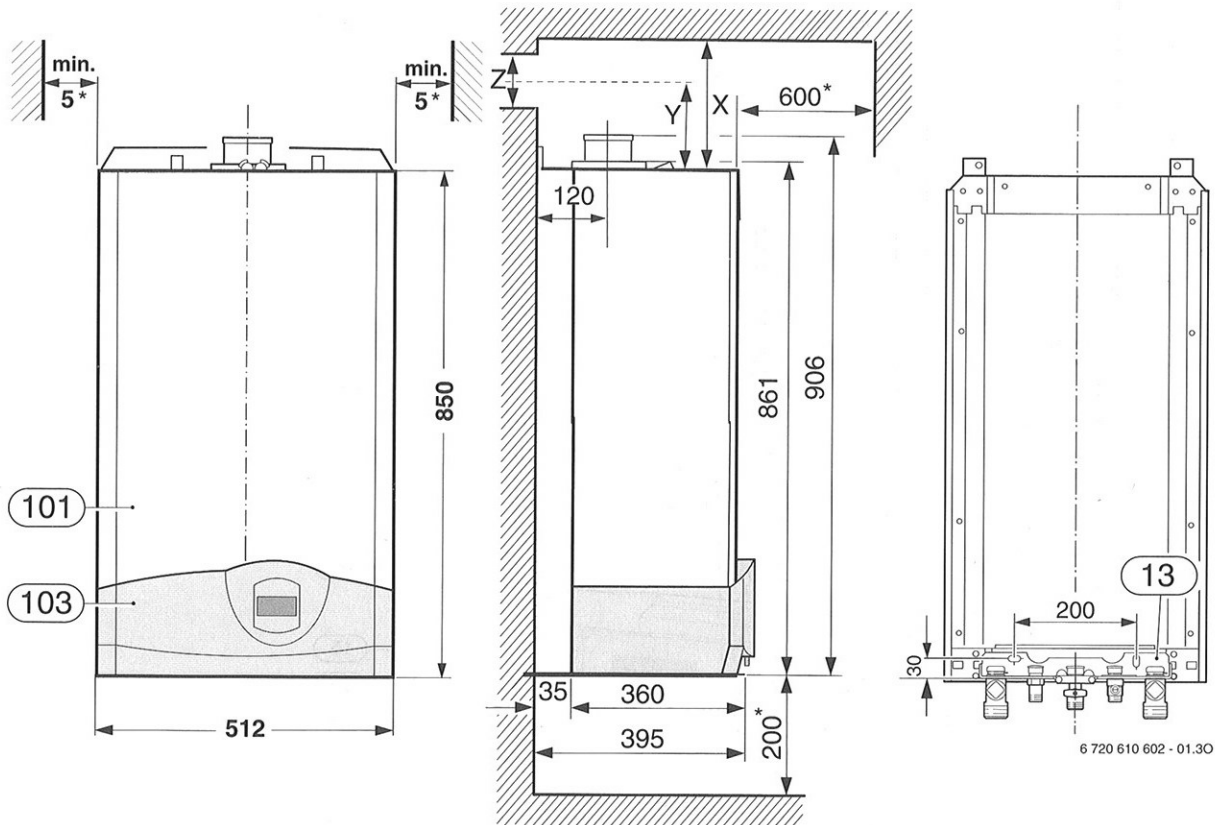
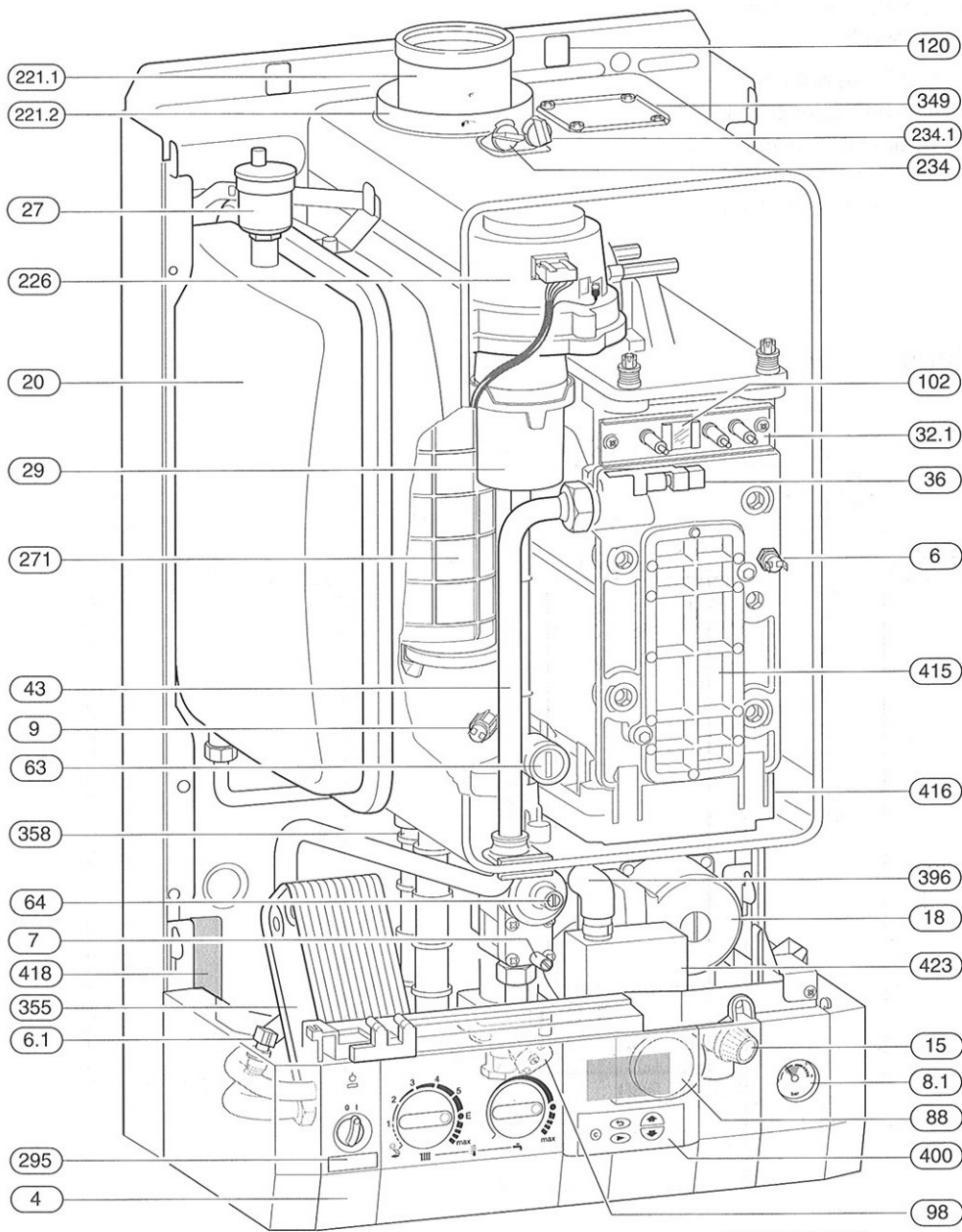


Fig. 1

- 13** Manifold assembly  
**101** Outer case  
**103** Facia cover  
**X** Standard Concentric Horizontal Flue System: min. 310 mm  
 Alternative Concentric Flue System: min. 250 mm  
**Y** Standard Concentric Horizontal Flue System: 158 mm  
 Alternative Concentric Flue System: 121 mm  
**Z** Standard Concentric Horizontal Flue System: 105 mm  
 Alternative Concentric Flue System: 130 mm  
 \* For servicing the appliance

### 1.6 Layout of appliance

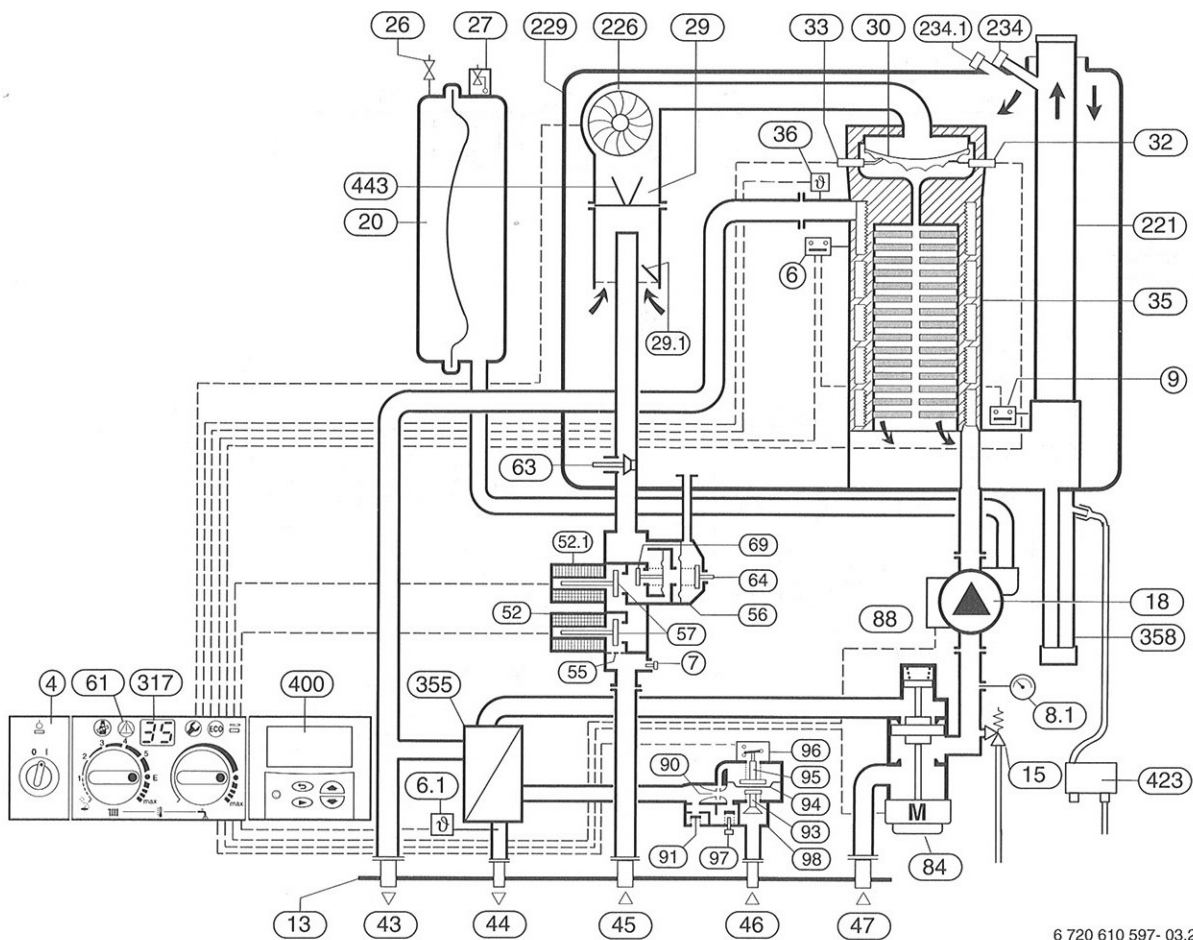


6 720 610 597 - 02.10

Fig. 2

- |             |  |              |  |
|-------------|--|--------------|--|
| <b>4</b>    | Heatronic control                            | <b>120</b>   | Fixing points                                |
| <b>6</b>    | Heat exchanger safety temperature limiter    | <b>221.1</b> | Flue duct                                    |
| <b>6.1</b>  | Hot water NTC sensor                         | <b>221.2</b> | Combustion air intake                        |
| <b>7</b>    | Testing point for gas supply pressure        | <b>226</b>   | Fan assembly                                 |
| <b>8.1</b>  | Pressure gauge                               | <b>295</b>   | Appliance type sticker                       |
| <b>9</b>    | Flue gas temperature limiter                 | <b>234</b>   | Testing point for combustion products        |
| <b>15</b>   | Relief valve                                 | <b>234.1</b> | Testing point for combustion air             |
| <b>18</b>   | Pump   | <b>271</b>   | Flue duct                                    |
| <b>20</b>   | Expansion vessel                             | <b>349</b>   | Cover plate for twin flue duct connection    |
| <b>27</b>   | Automatic air vent                           | <b>355</b>   | Plate-type domestic hot water heat exchanger |
| <b>29</b>   | Air gas Mixer unit                           | <b>358</b>   | Condensate trap                              |
| <b>32.1</b> | Electrode assembly                           | <b>396</b>   | Hose Condensate trap                         |
| <b>36</b>   | Temperature sensor in CH flow                | <b>400</b>   | Textdisplay                                  |
| <b>43</b>   | CH flow                                      | <b>415</b>   | Cover plate for cleaning access              |
| <b>63</b>   | Adjustable gas flow restrictor               | <b>416</b>   | Condensate collector                         |
| <b>64</b>   | Adjusting screw for min. gas flow volume     | <b>418</b>   | Data plate                                   |
| <b>7</b>    | Testing point for gas supply pressure        | <b>423</b>   | Siphon                                       |
| <b>418</b>  | 3-way valve (combi)                          |              |  |
| <b>355</b>  | Plate-type domestic hot water heat exchanger |              |  |
| <b>6.1</b>  | Hot water NTC sensor                         |              |  |
| <b>295</b>  | Appliance type sticker                       |              |  |
| <b>4</b>    | Heatronic control                            |              |  |

1.7 Function



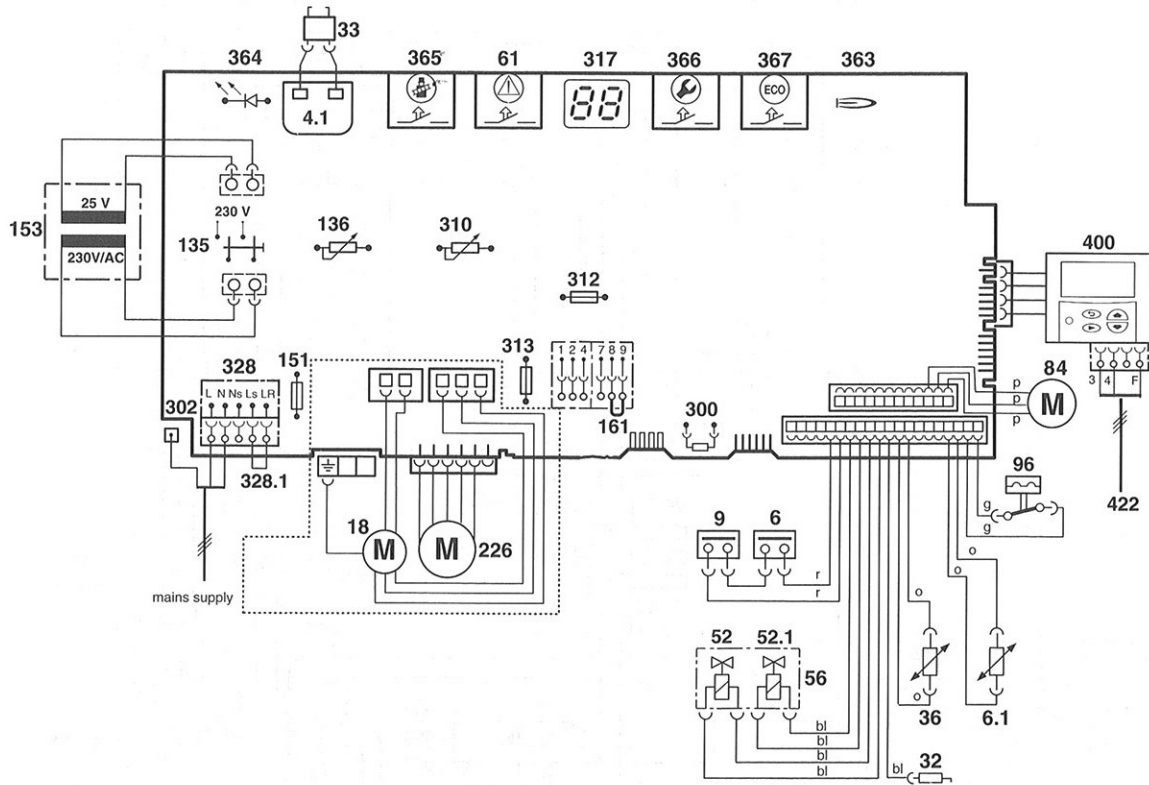
6 720 610 597-03.20

Fig. 3

- |      |  |       |  |
|------|--|-------|--|
| 4    | Bosch Heatronic control                                | 63    | Adjustable gas flow restrictor           |
| 6    | Temperature limiter, heat exchanger                    | 64    | Adjusting screw for min. gas flow volume |
| 6.1  | Hot water NTC sensor                                   | 69    | Control valve                            |
| 7    | Testing point for gas supply pressure                  | 84    | Motor                                    |
| 8.1  | Pressure gauge   | 88    | 3-way valve                              |
| 9    | Flue gas temperature limiter                           | 90    | Venturi                                  |
| 13   | Manifold   | 91    | Pressure relief valve                    |
| 15   | Safety valve   | 93    | Water flow regulator                     |
| 18   | Central heating pump                                   | 94    | Diaphragm                                |
| 20   | Expansion vessel                                       | 95    | Pushrod with switch cam                  |
| 26   | Charging valve   | 96    | Microswitch                              |
| 27   | Automatic vent   | 97    | Valve for hot water flow volume          |
| 29   | Mixer unit   | 98    | Water valve                              |
| 29.1 | Bi-metallic thermostat for combustion air compensation | 221   | Flue duct                                |
| 30   | Burner   | 226   | Fan                                      |
| 32   | Flame sensing electrode                                | 229   | Air box                                  |
| 33   | Igniter electrode                                      | 234   | Testing point for flue gas               |
| 35   | Heat exchanger with cooled combustion chamber          | 234.1 | Testing point for combustion air         |
| 36   | Temperature sensor in CH flow                          | 317   | Display                                  |
| 43   | CH flow  | 355   | Plate-type heat exchanger                |
| 44   | Hot water flow   | 358   | Condensate trap                          |
| 45   | Gas  | 400   | Textdisplay                              |
| 46   | Cold water inlet                                       | 423   | Siphon                                   |
| 47   | CH return  | 443   | Diaphragm                                |
| 52   | Solenoid valve 1                                       |       |  |
| 52.1 | Solenoid valve 2                                       |       |  |
| 55   | Filter   |       |  |
| 56   | Gas valve CE 427                                       |       |  |
| 57   | Main valve disc  |       |  |
| 61   | Reset button   |       |  |

### 1.8 Electrical wiring diagram

o - orange g - green bl - black r - red p - purple



6 720 610 602 - 02.10

Fig. 4

- |             |  |              |                                 |
|-------------|--|--------------|---------------------------------|
| <b>4.1</b>  | Ignition transformer                     | <b>328.1</b> | Link                            |
| <b>6</b>    | Temperature limiter, heat exchanger      | <b>363</b>   | Indicator lamp for burner       |
| <b>6.1</b>  | Hot water NTC sensor                     | <b>364</b>   | Indicator lamp for power supply |
| <b>9</b>    | Flue gas temperature limiter             | <b>365</b>   | "Chimney sweep" button          |
| <b>18</b>   | Pump                                     | <b>366</b>   | Service button                  |
| <b>32</b>   | Flame sensing electrode                  | <b>367</b>   | ECO button                      |
| <b>33</b>   | Ignition electrode                       | <b>400</b>   | Textdisplay                     |
| <b>36</b>   | Temperature sensor in CH flow            | <b>422</b>   | Connecting TR2                  |
| <b>52</b>   | Solenoid valve 1                         |              |                                 |
| <b>52.1</b> | Solenoid valve 2                         |              |                                 |
| <b>56</b>   | Gas valve CE 427                         |              |                                 |
| <b>61</b>   | Reset button                             |              |                                 |
| <b>84</b>   | Motor, 3-way valve                       |              |                                 |
| <b>96</b>   | Microswitch, hydraulic switch            |              |                                 |
| <b>135</b>  | Master switch                            |              |                                 |
| <b>136</b>  | Temperature control for CH flow          |              |                                 |
| <b>151</b>  | Fuse, slow 2.5 A, AC 230 V               |              |                                 |
| <b>153</b>  | Transformer                              |              |                                 |
| <b>161</b>  | Link                                     |              |                                 |
| <b>226</b>  | Fan                                      |              |                                 |
| <b>300</b>  | Code plug                                |              |                                 |
| <b>302</b>  | Earth connection                         |              |                                 |
| <b>310</b>  | Temperature control for hot water        |              |                                 |
| <b>312</b>  | Fuse, slow T 1,6 A                       |              |                                 |
| <b>313</b>  | Fuse, slow T 0,5 A                       |              |                                 |
| <b>317</b>  | Digital display                          |              |                                 |
| <b>328</b>  | Terminal block for AC 230 V Mains supply |              |                                 |



## 1.9 Technical data

	Units	ZWBR 7-30 Natural gas	ZWBR 11-30 Propane	ZWBR 11-35 Natural gas	ZWBR 14-35 Propane
Max. rated heat output net 40/30°C central heating	kW	31.2	31.2	37.5	37.5
Max. rated heat output net 50/30°C central heating	kW	30.9	30.9	37.1	37.1
Max. rated heat output net 80/60°C central heating	kW	29.2	29.2	35.1	35.1
Max. rated heat input net	kW	29.5	29.5	35.5	35.5
Min. rated heat output net 40/30°C	kW	8.4	11.6	12.9	16.2
Min. rated heat output net 50/30°C	kW	8.3	11.4	12.8	16.1
Min. rated heat output net 80/60°C	kW	7.4	10.5	11.4	14.3
Min. rated heat input net	kW	7.6	10.8	11.8	14.8
Max. rated heat output net, domestic hot water	kW	29.2	29.2	35.1	35.1
Max. rated heat input net, domestic hot water	kW	29.5	29.5	35.5	35.5
<b>Maximum gas flow rate – After 10 minutes from lighting</b>					
Natural gas G20 (CVnet 34.02 MJ/m <sup>3</sup> )	m <sup>3</sup> /h	3.1		3.7	
LPG (CVnet 88 MJ/m <sup>3</sup> )	kg/h		2.3		2.5
<b>Gas supply pressure</b>					
Natural gas G20 (CVnet 34.02 MJ/m <sup>3</sup> )	mbar	20	-	20	-
LPG (CVnet 88 MJ/m <sup>3</sup> )	mbar	-	37	-	37
<b>Expansion vessel</b>					
Charge pressure	bar	0.75	0.75	0.75	0.75
Total capacity	l	18	18	10	10
<b>Hot water specifications</b>					
Hot water flow rate (factory setting)	l/min	8	8	8	8
Max. hot water flow rate	l/min	14	14	14	14
Outlet temperature range	°C	40 - 60	40 - 60	40 - 60	40 - 60
Max. permissible water supply pressure	bar	10	10	10	10
Min. inlet pressure	bar	0.2	0.2	0.2	0.2
Specific flow rate	l/min	13.3	13.3	16.0	16.0
<b>Flue</b>					
Flue gas temp. 80/60°C, rated/min. load	°C	67/55	67/55	87/58	87/58
Flue gas temp. 40/30°C, rated/min. load	°C	43/32	43/32	65/43	65/43
Residual delivery pressure (inc. pressure drop in air intake duct)	Pa	80	80	100	100
CO <sub>2</sub> level at max. rated heat output	%	9.2	10.8	9.2	10.8
CO <sub>2</sub> level at min. rated heat output	%	8.8	10.5	9.2	10.8
NO <sub>x</sub> -class		5	5	5	5
SEDBUK figure, Band A	%	90.7	90.7	90.3	90.3
<b>Condensate</b>					
Max. condensation rate (t <sub>R</sub> = 30°C)	l/h	2.5	2.5	3.0	3.0
pH-value, approx.		4.8	4.8	4.8	4.8
<b>General Data</b>					
Electrical power supply voltage	AC ... V	230	230	230	230
Frequency	Hz	50	50	50	50
Max. power consumption	W	121	121	151	151
Noise output level	dB(A)	36	36	40	340
Appliance protection rating	IP	X4D	X4D	X4D	X4D
Max. CH flow temperature	°C	nom. 90	nom. 90	nom. 90	nom. 90
Max. permissible operating pressure (CH)	bar	2.5	2.5	2.5	2.5
Permissible ambient temperatures	°C	0 - 50	0 - 50	0 - 50	0 - 50
Nominal capacity of appliance	l	3.75	3.75	3.75	3.75
Weight	kg	53	53	53	53

Table 2

**Condensate analysis, mg/l**

Ammonium	1.2	Nickel	0.15
Lead	≤ 0.01	Mercury	≤ 0.0001
Cadmium	≤ 0.001	Sulphate	1
Chromium	≤ 0.005	Zinc	≤ 0.015
Halogenated hydrocarbons	≤ 0.002	Tin	≤ 0.01
Hydrocarbons	0.015	Vanadium	≤ 0.001
Copper	0.028	pH-value	4.8

Table 3

**Flue system**

HORIZONTAL 100 mm – Standard			
Overall Diameter of Duct	mm	100	Max. 4 m
Flue Terminal / Duct Assembly Length	mm	600	
Extension Duct Length	mm	1000	

Table 4

ALTERNATIVE HORIZONTAL 125 mm FLUE SYSTEM			
Overall Diameter of Duct	mm	125	Max. 13 m (ZWBR 7-30)
Flue Terminal / Duct Assembly	mm	1030	Max. 10 m (ZWBR 11-35) including turret

Table 5

VERTICAL 125 mm FLUE SYSTEM			
Overall Diameter of Duct	mm	125	Max. 15 m (ZWBR 7-30)
Flue Terminal / Duct Assembly	mm	1360	Max. 12 m (ZWBR 11-35)

Table 6

Elbow - 90 ° Equivalent length 2 m

Bend - 45 ° Equivalent length 1 m

**Gas supply**

Total length of gas supply pipe (metres)			Pipe diameter (mm)
3	6	9	
Gas discharge rate (m <sup>3</sup> /h)			
8.7	5.8	4.6	22
18.0	12.0	9.4	28

Table 7

**Domestic water performance**

			ZWBR 7-28	ZWBR 11-35
Domestic Water Flow Rate l/min	Temperature Rise	30 °C	13.7	17.0
	Temperature Rise	35 °C	11.7	14.6
	Temperature Rise	40 °C	10.3	12.8
Maximum Mains pressure		bar	10.0	10.0
Minimum Mains pressure		bar	0.2	0.2

Table 8

## 2 Installation regulations

Gas Safety (Installation & Use) Regulations 1998: All gas appliances must be installed by a competent person. Failure to install correctly could lead to prosecution.

The manufacturers notes must not be taken, in any way, as overriding statutory obligations.

The appliance must be installed in accordance with the current IEE Wiring Regulations, local Building Regulations, Building Standards (Scotland) (Consolidation), bye-laws of the local Water Company, Health and Safety Document 635 (Electricity at Work Regulations 1989) and any other local requirements.

Product Liability regulations indicate that, in certain circumstances, the installer can be held responsible, not only for mistakes on his part but also for damage resulting from the use of faulty materials. We advise the installer to avoid any risk by using only quality approved branded fittings.

The relevant British Standards should be followed i.e.

- BS 6798: Specification for the installation of gas fired hot water boilers of rated input not exceeding 60kW
- BS 5449: Central Heating for Domestic Premises
- BS 5546: Installation of gas hot water supplies for domestic purposes
- BS 5440:1: Flues and ventilation for gas appliances of rated input not exceeding 70 kW (net): Flues
- BS 5440:2: Flues and ventilation for gas appliances of rated input not exceeding 70 kW (net): Air Supply
- BS 6891: Installation of low pressure gas pipework installations up to 28mm (R1).
- BS 7074:1: Code of practice for domestic heating and hot water supply
- BS 7671: Requirements for Electrical Installation.

**These instructions must be followed.**

## 3 Installation



- ▶ Always turn off the gas cock before carrying out any work on components which carry gas.



Fixing of the appliance, gas and flue connections, commissioning of the system and electrical connections may only be carried out by competent persons authorised by CORGI.

### 3.1 Important remarks

- ▶ Appliance should only be installed in sealed central heating and hot water systems.
- ▶ To avoid gas formation in the system, galvanised radiators or pipes must not be used.
- ▶ If a room thermostat is used: do not fit a thermostatic radiator valve on the radiator in the primary room.
- ▶ This appliance uses an automatically variable pump. An auto-bypass must not be fitted.
- ▶ Add a suitable anti-freeze fluid to the water in the central heating system.  
Suitable products are available from Betz-Dearborn Tel.: 0151 4209563 and Fernox Tel.: 01799 550811.
- ▶ In our experience, the addition of sealing agents to the water in the central heating system can cause problems (deposits in the heat exchanger). For that reason we advise against their use.

### 3.2 Domestic hot water

Any regulations specified by the local water company must be observed.

The final 600 mm of the mains cold water connection to the appliance should be made in copper tube only.

The appliance is suitable for a mains supply having a maximum pressure of 10 bar. A pressure reducing valve must be fitted, if necessary.

The hot water outlet temperature is set to be capable of achieving a maximum of 60°C. The maximum temperature and the frequency of the recharge of the heat store may be reset.

The water flow rate of 10.3 l/min (ZWBR 7-30) and 12.8 l/min (ZWBR 11-35) will give temperature rise of 40°C. If a higher rise is required then the flow must be reduced at the tap and the discharge temperature will rise up to the maximum set figure.

The temperature rise, up to the maximum set by the user, is automatically maintained by the modulation of the heat input. In winter, when the mains temperature is very low, the water flow, adjusted at the tap or shower, should be reduced to maintain the required delivery temperature.

It is suggested that long pipe runs to taps or showers be insulated to prevent the rapid cooling of the water.

All types of single lever mixer taps and thermostatic mixer units suitable for a mains pressure of up to 10 bar can be used.

The head of a loose-head shower must not be allowed to fall within 25 mm of the top of the bath to prevent the risk of water being drawn back into the mains. Alternatively the shower must be fitted with an anti-siphonage device at the point of the flexible hose connections.

Over-rim bidets may be connected to the appliance provided that it is in accordance with the requirements of the local water company. The outlet(s) should be shrouded and unable to have any temporary hand held spray attached. No anti-siphonage arrangements are necessary.

In exceptionally hard water areas a device to prevent scale formation may be fitted or, alternatively, the maximum temperature reset to about 45°C which may reduce the risk of scale formation. The installation of a scale inhibitor assembly should be in accordance with the requirements of the local water company. Artificially softened water must not be used to fill the central heating system. An isolating valve should be fitted to allow for servicing.

**Devices, such as water meters or back-flow prevention valves, capable of preventing the flow of expansion water must not be fitted unless separate arrangements have been made.**

A Zilmet Z160 expansion vessel is the preferred type. A thread sealant compatible with potable water must be used. The vessel should be connected into the cold water mains inlet pipe as close as possible to the appliance.

### 3.3 Sealed systems

The appliance must not be operated without the system being full of water, properly vented and pressurised.

The expansion vessel has a volume of 10 litres (ZWBR 11-35) or 18 litres (ZWBR 7-30) and is charged to a pressure of 0.75 bar.

The water capacity of the system is shown in table 11, page 33. If a greater capacity is required then an additional expansion vessel must be fitted into the system return as close to the appliance as possible. The system pressure can be set up to a maximum of 1.5 bar with 1 bar being the normal setting.

If the system pressure is greater than 2.5 bar when the appliance is operating at maximum temperature then an additional expansion vessel must be fitted into the system return as close to the appliance as possible.

The filling point must be at low level and arranged as shown in figs. 5 and 6.

The pressure relief valve is set to operate at 3 bar.

There must be no connection to the mains without the approval of the local water company. All connections in the system must be capable of withstanding a pressure of up to 3 bar and the radiator valves conform to the requirements of BS 2767:10.

If Thermostatic Radiator Valves are fitted then it is recommended that the primary radiator is left open.

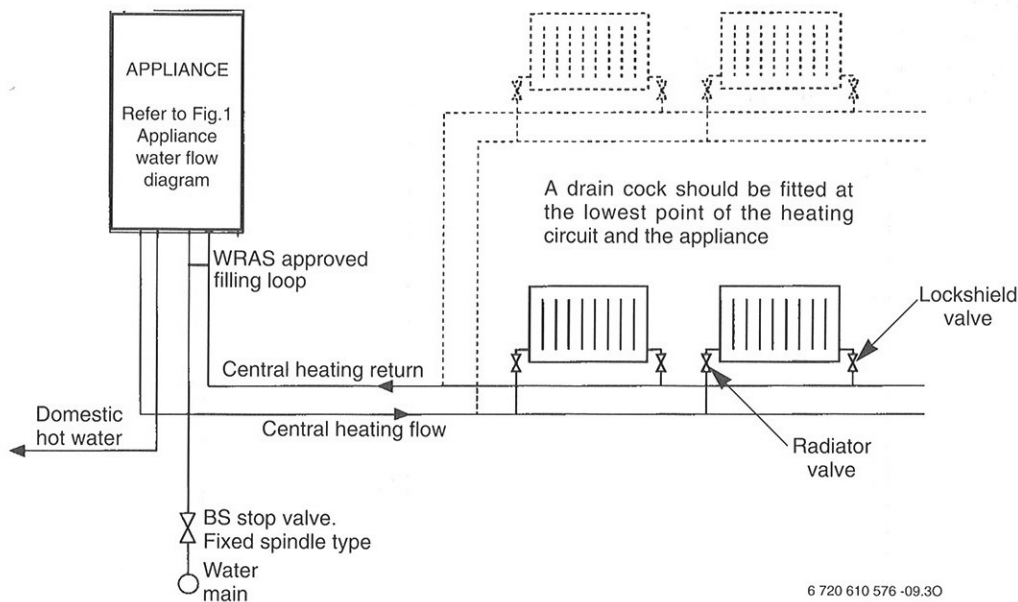
Repeated venting probably indicates a leak and this must be rectified to ensure the proper operation of the appliance.

**No galvanised radiators or pipes must be used.**

**If any system water treatment is required then only products suitable for use with Aluminium shall be used i.e Fernox- Copal or Superconcentrate or Sentinal X100, in accordance with the manufacturers instructions. The use of any other substances will invalidate the guarantee. The pH value of the system water must be less than 8 or the appliance guarantee will be invalidated.**

A drain cock to BS 2879 must be fitted to the lowest point of the system.

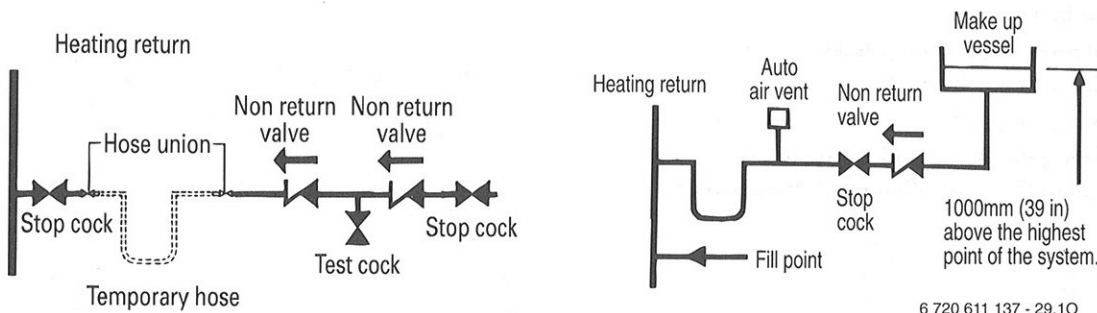
**IMPORTANT: Check that no dirt is left in the water pipework as this could damage the appliance. Thoroughly flush the heating system and the mains water supply before fitting the appliance to the wall in accordance with the recommendations of BS7593:1992.**



6 720 610 576 -09.30

Fig. 5 Sealed primary water system

### Sealed system filling and make up



6 720 611 137 - 29.10

Fig. 6

## 3.4 Siting the appliance

### Regulations concerning the Installation Site

- ▶ Relevant national regulations must be complied with section 3.9.1.
- ▶ Consult the installation instructions for details of minimum clearances required.

### Combustion air

In order to prevent corrosion, the combustion air must not contain any corrosive substances.

Substances classed as corrosion-promoting include halogenated hydrocarbons which contain chlorine and fluorine compounds and are contained in some solvents, paints, adhesives, aerosol propellants and household cleaners, for example.

### Surface temperature

The max. surface temperature of the casing and the flue is less than 85 °C.

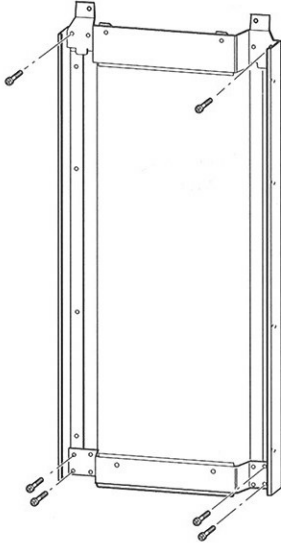
This means that, no special safety precautions are required with regard to flammable building materials and fitted furniture. The specified clearances must be maintained.

### Cupboard/Compartment

The appliance can be installed in a cupboard/compartment need for airing clothes providing that the requirements of BS 6798 and BS 5440:2 are followed. The low casing losses from the appliance eliminate the need for ventilation openings in the compartment.

### 3.5 Wall mounting frame assembly

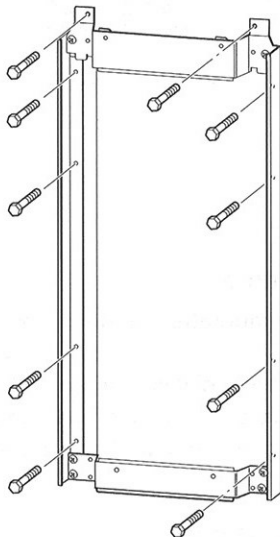
- ▶ Take the wall mounting frame out of the package and screw together with 6 screws as shown in fig. 7. Use the outer lugs on the top and bottom horizontal sections for the appliances that are 512 mm wide.



6 720 610 597-06.10

Fig. 7

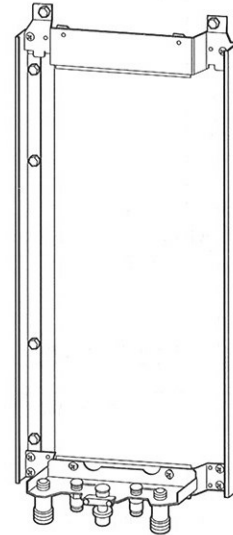
- ▶ Hold the wall-mounting frame against the wall ensuring that it is vertical.
- ▶ Mark the position of the flue duct hole if a rear flue is to be used. Refer to fig. 1 and 16.
- ▶ Mark the holes for the wall mounting frame onto the wall, drill and plug the holes and screw the wall mounting frame to the wall with the screws provided.



6 720 610 597-07.10

Fig. 8

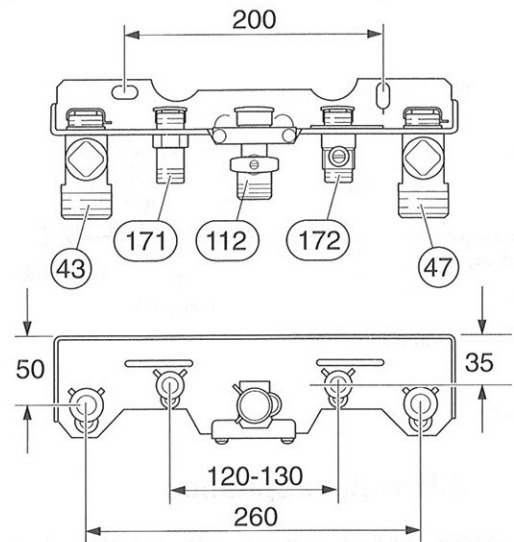
- ▶ Screw the pre-plumbing manifold with two screws to the wall mounting frame.



6 720 610 597-08.10

Fig. 9

### 3.6 Pre-piping the system



6 720 610 576-06.10

Fig. 10 Manifold

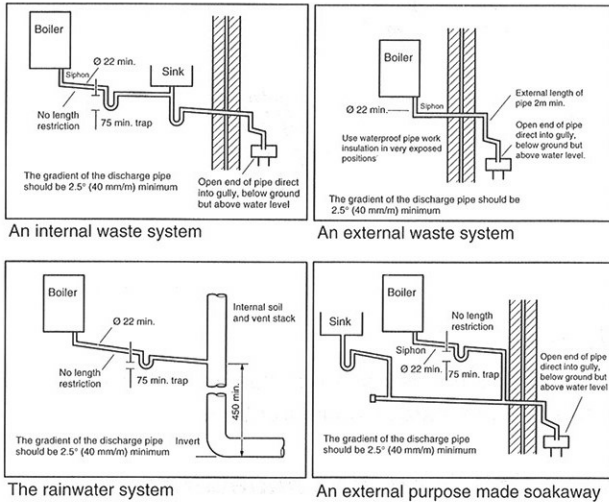
- 43 CH flow
- 47 CH return
- 112 Gas cock
- 171 Domestic hot water
- 172 Cold water relief

- ▶ A drain tap should be fitted at the lowest point of the central heating system.
- ▶ WRAS approved filling loop must be fitted.

### Condensate Termination and Route

The condensate connection on the Greenstar appliances is in 22 mm plastic. The pipe should be extended and run away from the appliance with a constant fall of 2.5 ° or 40 mm in every metre.

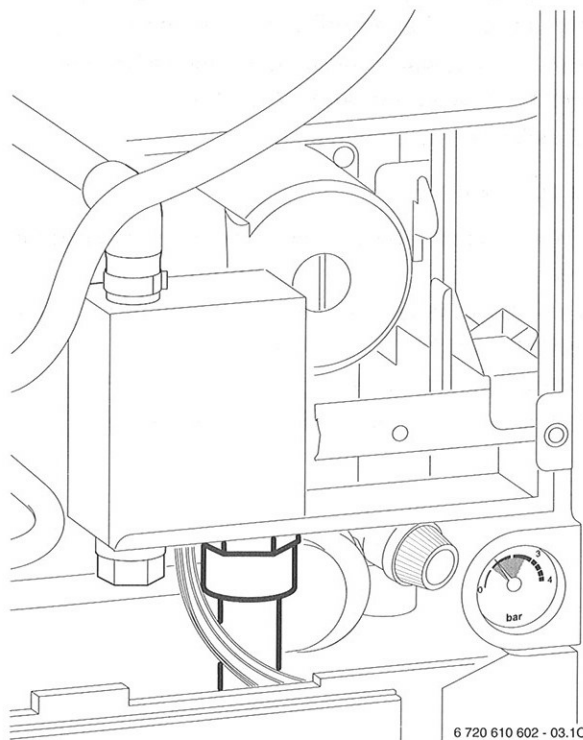
The condensate pipe can terminate into any of four areas:



6 720 610 596 -03.10

Fig. 11

Whilst all of the above methods are acceptable it is always the best practice to terminate the condensate pipe via an internal waste system. This will eliminate the need for any external condensate pipe runs which can be susceptible to freezing in extreme weather.



6 720 610 602 -03.10

Fig. 12 Position of the condensate drain

### External condensate pipework

All Greenstar condensing boilers have within a syphonic condensate trap. Rather than the condensate constantly dripping into the discharge pipe, the condensate is collected into a trap which releases it in 100 ml quantities.

This will help prevent freezing occurring.

If there is no alternative and the condensate pipe has to be externally run, the following should be considered:

- The pipe run should take the shortest practical route.
- The pipework should be insulated with weather resistant insulation.
- The pipe should terminate as close as possible to the ground or drain, whilst still allowing the condensate to safely disperse. This would prevent wind blowing up the pipe.
- The pipework should be installed with the minimum of horizontal runs and with a downward slope of at least 2.5 °.

### 3.7 Fitting the appliance



**Benchmark:** For optimum performance after installation, this boiler and its associated central heating system must be flushed in accordance with the guidelines given in BS5793:1992 "Treatment of water in domestic hot water central heating systems".

- ▶ Remove packing, taking care to observe the instructions on the packing.
- ▶ Lie the boiler on its back.

#### Removing the outer case



The outer case is secured against unauthorised removal by a retaining bracket (electrical safety) at the bottom left. Always secure the outer case with this bracket again after refitting.

- ▶ Remove retaining screw on left hand side (1.).
- ▶ Press both catch levers backwards (2.).

- ▶ Lift off the top fixing lugs and slide case forwards and remove (3.).

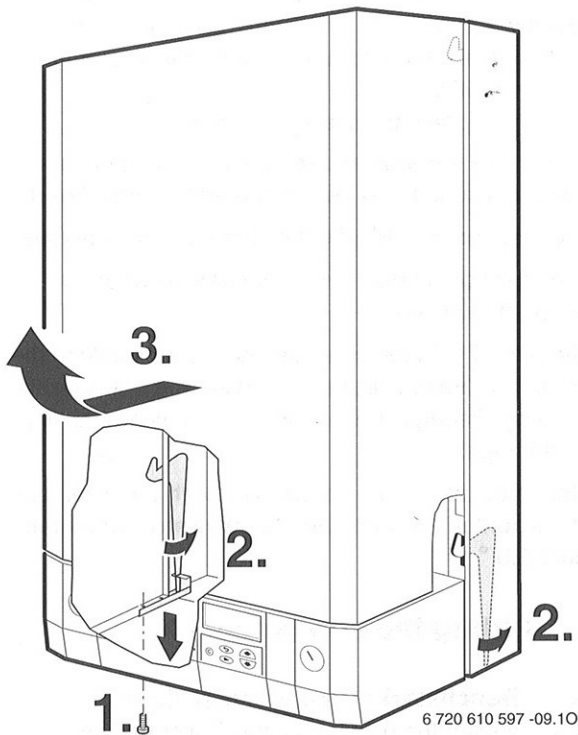


Fig. 13

**Fixing the appliance**

- ▶ Fit the washers onto the gas and water connections.
- ▶ Lift the boiler onto the wall-mounting frame. The lugs pass through the rectangular holes in the boiler back panel.
- ▶ Take care not to disturb the washers on the connections.

**Connecting the flue duct**

- ▶ Fit flue duct connector onto appliance flue spigot.
- ▶ Secure with the two screws supplied.

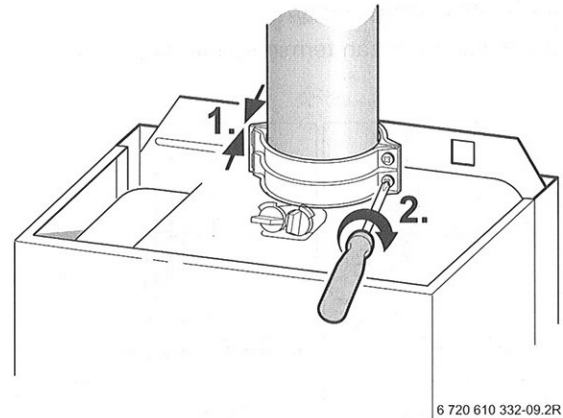


Fig. 14

- ▶ For remaining installation of flue assembly, refer to the relevant installation instructions.

**3.8 Checking the connections**

**Water connections**

- ▶ Check that the O-rings or seals are in place before tightening the connection.
- ▶ Turn on the service valves for central heating flow and return and fill the heating system through a WRAS approved filling loop.
- ▶ Check all seals and unions for leaks (testing pressure max. 3.0 bar as indicated by pressure gauge).
- ▶ Turn on cold water service cock and fill hot water system (testing pressure max. 10 bar).
- ▶ Check all connections for leaks.

**Gas supply pipe**

- ▶ Check that the seal is in place before tightening the connection.
- ▶ Turn off gas cock to protect gas valve against damage from excessive pressure.
- ▶ Check gas supply pipe.
- ▶ Release the pressure on the gas supply pipe.



### 3.9 Flue Systems

The only flue systems that may be used are those supplied by Worcester Heat Systems.

The flue system must be installed in accordance with the requirements of BS5440:1.

#### Standard 100 mm flue system

The standard concentric flue system provides for a horizontal length of upto 4 m. Full instructions for fitting this flue are in Subsection 3.9.2 "Installation of the flue".

#### Alternative 125 mm diameter flue systems

Installation instructions for the alternative flue systems are sent with the appropriate flue kit.

Systems are available to give a maximum horizontal length of 13 m (ZWBR 7-30) and 10 m (ZWBR 11-35).

A vertical flue system upto a height of 15 m (ZWBR 7-30) and 12 m (ZWBR 11-35) is available.

45° and 90° flue bends can be used with a corresponding reduction in flue length of 2 m for each 90° bend and 1 m for each 45° bend used.

**IMPORTANT:** Any horizontal flue system fitted to a condensing boiler must incline towards the appliance at an angle of 3 % (30 mm per metre length) to prevent condensate dripping from the flue terminal. **This means that the clearance above the appliance must be increased to match the duct length. Refer to fig. 1 on page 5.**

### 3.9.1 Siting the Flue Terminal

The flue must be installed in accordance with BS 5440:1 and the Building Regulations. Flue terminals in carports and under balconies are to be avoided. The terminal must be positioned so that it does not cause an obstruction nor the combustion products a nuisance. See fig. 15 and table 9.

The terminal will, at times, give out a plume of water vapour and consideration must be given to this when choosing a terminal position. Keep clear of security

lighting, activated by passive infra-red sensing heads. If the terminal is less than 2 m above a surface to which people have access then a guard must be fitted. The guard must be evenly spaced about the terminal with a space of 50 mm in each direction and fixed with plated screws.

A guard Type K6 for the standard horizontal flue, can be obtained from Tower Flue Components, Vale Rise, Tonbridge TN9 1TB.

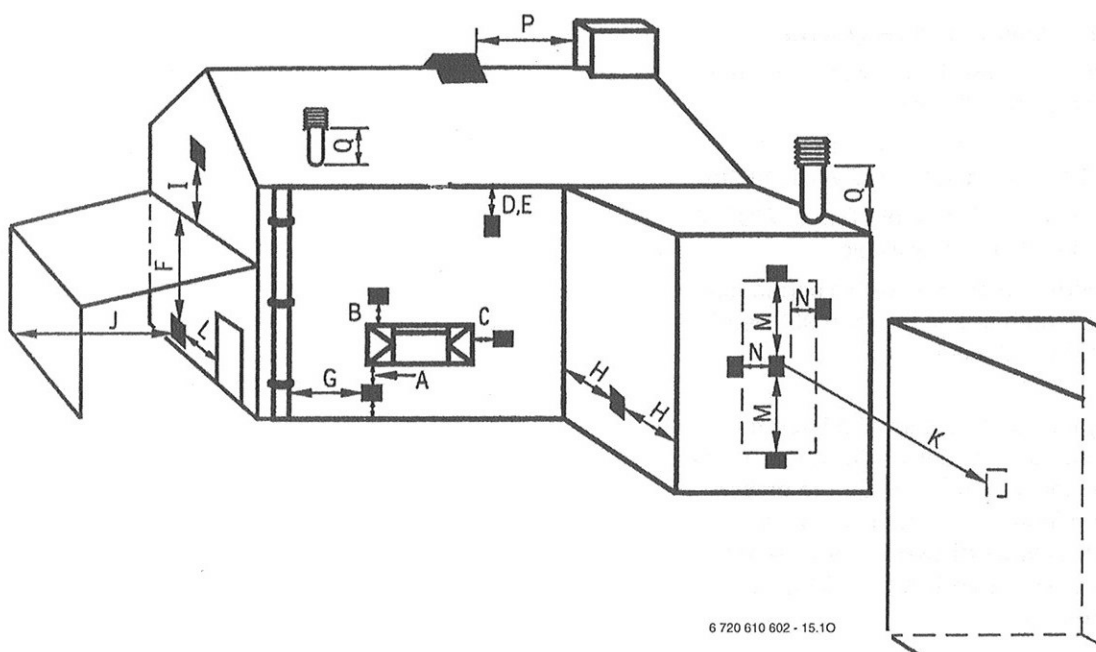


Fig. 15

#### Minimum dimensions of flue terminal positions (all types) (see fig. 15)

Dimension	Terminal Position (kW input expressed in net)	Balanced flues room sealed: Fanned draught
A <sup>1)</sup>	Directly below an opening, air brick, opening windows, etc.	300 mm
B <sup>1)</sup>	Above an opening, air brick, opening window, etc.	300 mm
C <sup>1)</sup>	Horizontally to an opening, air brick, opening window, etc.	300 mm
D	Below gutters, soil pipes or drain pipes	75 mm
E	Below eaves	200 mm
F <sup>2)</sup>	Below balconies or car port roof (lowest point)	200 mm
G	From a vertical drain pipe or soil pipe	150 mm
H	From an internal or external corner	300 mm
I	Above ground roof or balcony level	300 mm
J	From a surface facing the terminal	600 mm
K	From a terminal facing the terminal	1200 mm
L	From an opening in the car port (e. g. door, window) into the dwelling	1200 mm
M	Vertically from a terminal on the same wall	1500 mm
N	Horizontally from a terminal on the same wall	300 mm
O	From the wall on which the terminal is mounted	Not applicable
P	From a vertical structure on the roof	Not applicable
Q	Above intersection with roof	Not applicable

Table 9

- 1) In addition, the terminal should not be nearer than 150 mm (fanned draught) to an opening in the building fabric formed for the purpose of accommodating a built-in element such as a window frame.
- 2) Not recommended.

### 3.9.2 Installation of the flue

The standard 100 mm diameter horizontal flue system is suitable for lengths upto 4 m.

Flues upto 650 mm do not require an extension duct assembly.

Flues between 1600 mm and 4000 mm require extension duct assemblies.

NOTE: Flue lengths between 650 mm and 730 mm cannot be accommodated. Refer to fig. 17, 18, 19.

Standard system comprise: Flue turret - Flue turret clamp - Terminal assembly - Wall sealing - plates.

Extension kit comprises: Air duct - Flue duct - Duct clamp. Refer to fig. 20.

Instructions for fitting other flue systems are packed with the relevant flue kit.

Check that the position chosen for the appliance is satisfactory Refer to fig. 16.

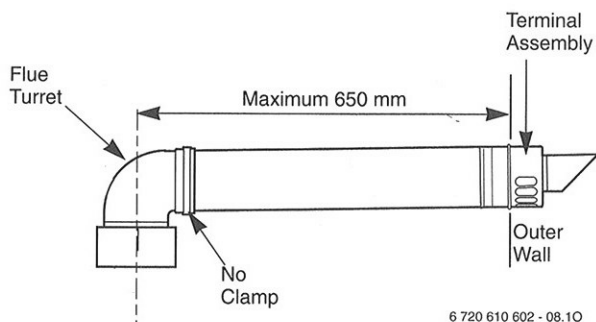


Fig. 17 Standard Flue

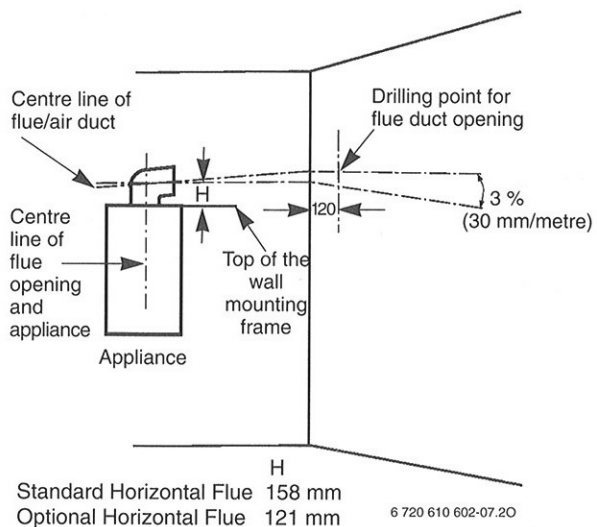
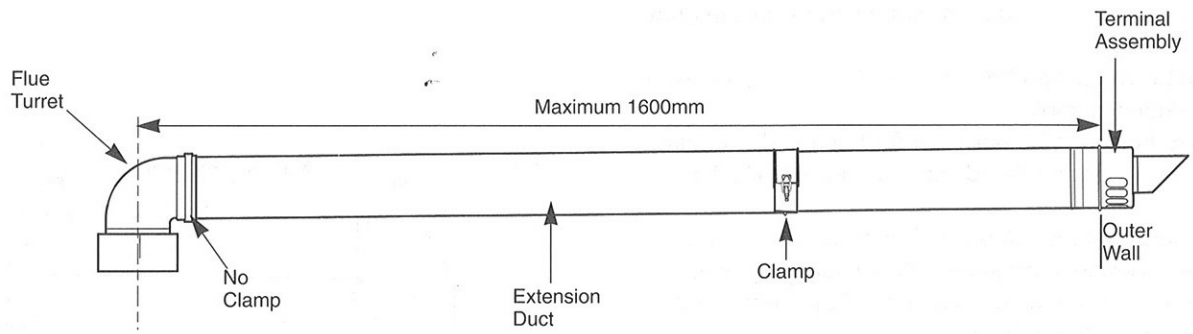
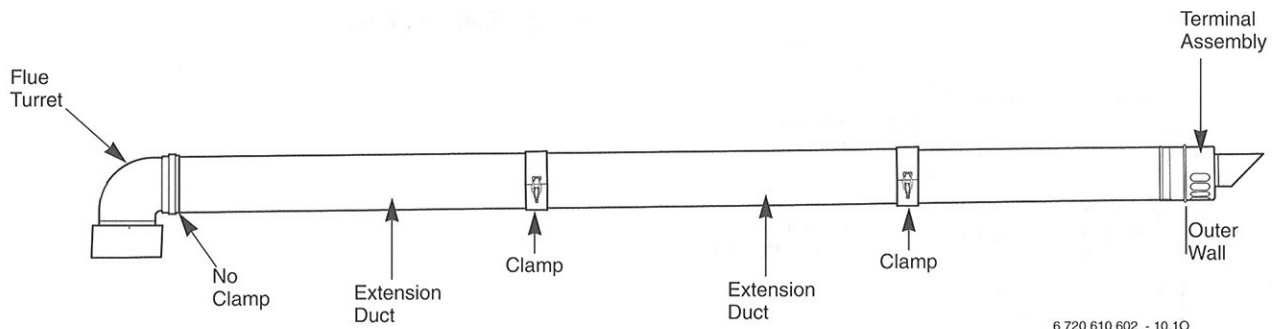


Fig. 16 Marking the position of the side flue opening



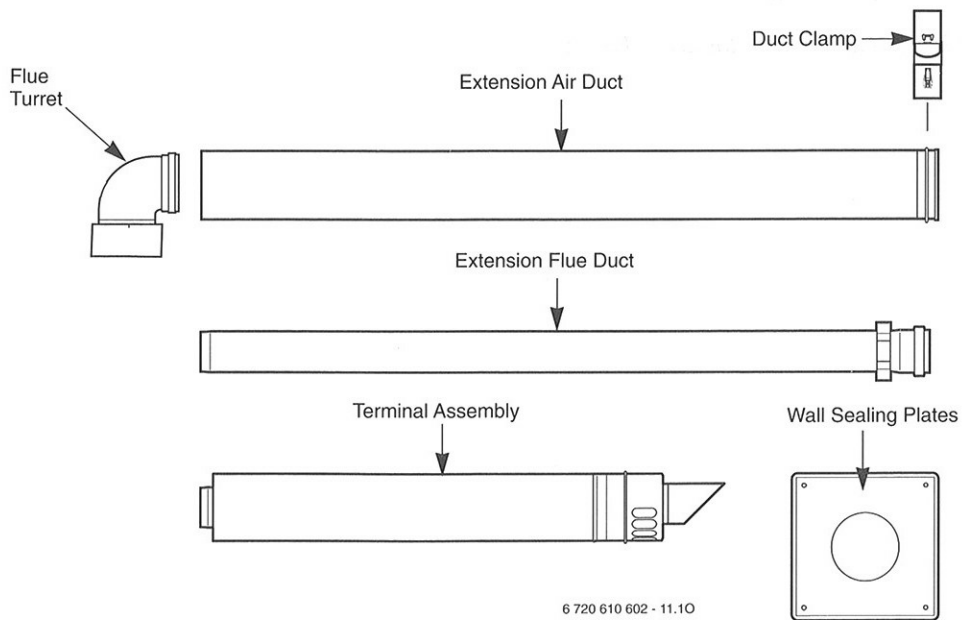
6 720 610 602 - 09.10

Fig. 18 Flue with one extension



6 720 610 602 - 10.10

Fig. 19 Flue with extensions

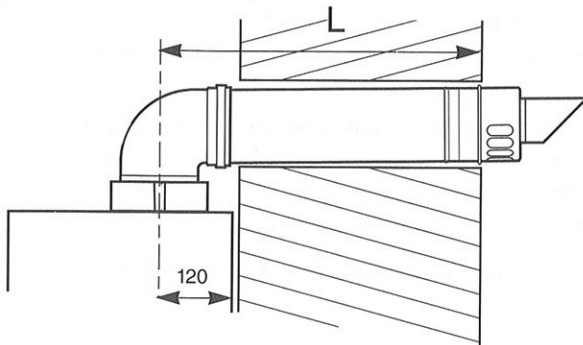


6 720 610 602 - 11.10

Fig. 20 Flue components

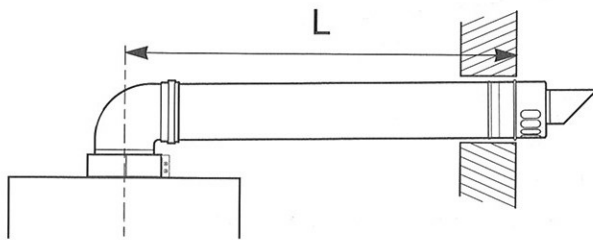
### 3.9.3 Flue duct preparation and assembly

Measure the flue length L. Refer to fig. 21, 22.



NOTE: THE FLUE MUST BE INCLINED TO THE BOILER  
6 720 610 602 - 12.10

Fig. 21 Flue length - rear

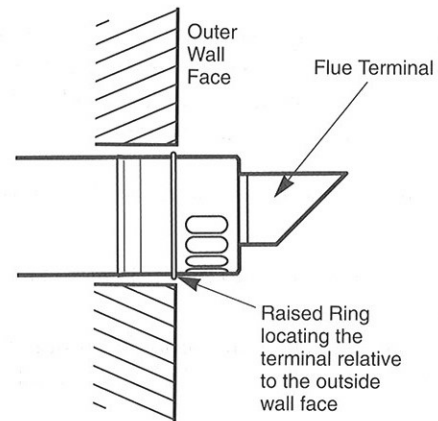


NOTE: THE FLUE MUST BE INCLINED TO THE BOILER  
6 720 610 602 - 13.10

Fig. 22 Flue length - side

Mark off the lengths shown onto the ducts and cut to length. The cuts must be square and free from burrs. Terminal assembly outer (air) duct - L- 70 mm, inner (flue) duct - L- 50 mm. The measurement is made from the ridge at the terminal indicating the outer face of the wall. Refer to fig. 23.

Extension air duct - L- 70mm, flue duct - L- 50 mm. The measurement is from the formed end.



6 720 610 576 - 20.10

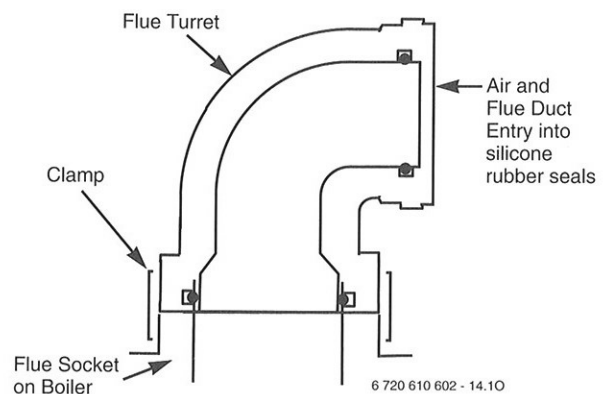
Fig. 23 Flue terminal position

Assemble flue system completely. Push the ducts fully together and clamp in the positions. The slope of the terminal outlet must face downwards.

The assembly will be made easier if a solvent free grease is lightly applied i.e Vaseline, to the male end of the ducts.

**NOTE: An inner wall sealing plate is provided which should be fitted to the ducts before assembly.**

Push the assembly through the wall and fix the turret to the appliance with the clamp. Refer to fig. 24.



6 720 610 602 - 14.10

Fig. 24

Ensure that the turret is fully entered into the socket on the boiler. From the outside fix the outer wall plate to the terminal and, after ensuring the duct is properly inclined towards the boiler, fix the plate to the wall.

If the terminal is within 2 m of the ground where there is access then an approved terminal guard must be fitted. The guard must give a clearance of at least 50 mm around the terminal and be fixed with corrosion resistant screws.

## 4 Electrical connections



- ▶ Always disconnect the power supply to the appliance at the mains before carrying out any work on the electrical systems and components.

All control and safety systems are built into the appliance.

- ▶ Allow mains cable to protrude at least 50 cm from wall.
- ▶ To make splash-water proof (IP): cut the cable grommet hole size to match diameter of cable, see fig. 27.

It must be possible to isolate the appliance. The appliance must be earthed.

The appliance must be connected to the mains through a 6 A double pole isolator with a contact separation 3 mm in all poles and supplying the appliance and controls only. The wiring must comply with the current requirements of the IEE Wiring Regulations and any local regulations which apply.

- Supply: 230 V ~ 50 Hz, 140 Watts
- Mains cable: PVC insulated 0.75 mm<sup>2</sup> (24 x 0.20 mm) to BS6500-Table 6. Temperature rated 100°C.
- Protection IPX4D
- External fuse 3 A.

### 4.1 Connecting the appliance

To gain access to the mains connection remove the drop down facia cover. The drop down cover is removed by lowering it to the horizontal position and pushing firmly upwards at the rear of the supports to release the cover. Lift cover from the appliance.

After installation (or in the event of an electrical fault) the electrical system shall be checked for short circuits, fuse failure, incorrect polarity of connections, earth continuity and resistance to earth.

- ▶ Pull out cover panel at the bottom and remove. Refer to fig. 25.

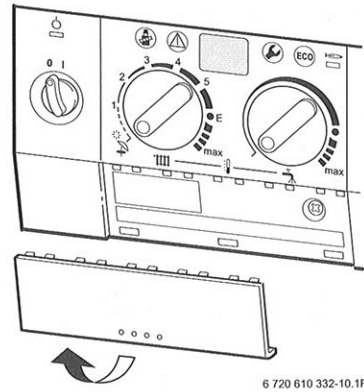


Fig. 25

- ▶ Remove screw and slide terminal cover forwards to remove. Refer to fig. 26.

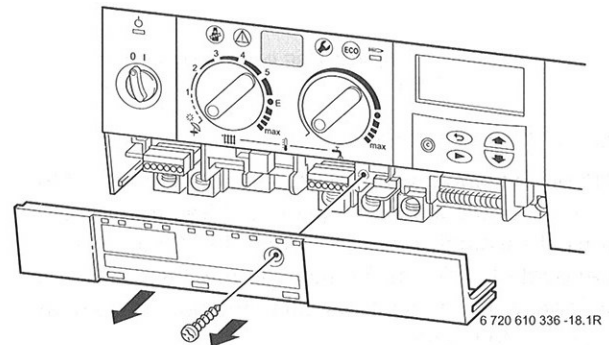


Fig. 26

- ▶ Cut cable grommet to diameter of cable.

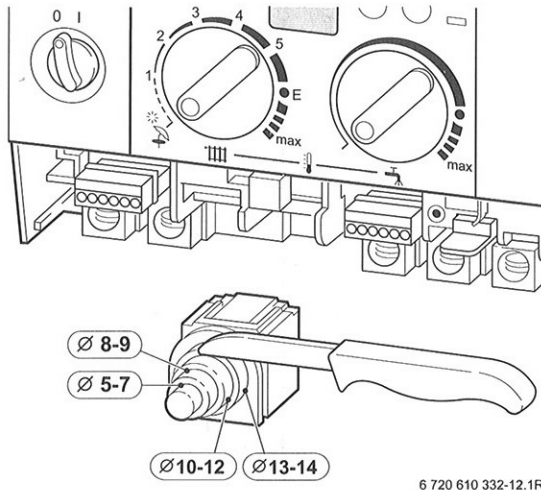


Fig. 27

- ▶ Feed cable through cable grommet and connect the mains supply cable, see fig. 28.
- ▶ Secure cable in cable grommet by means of cable grip.

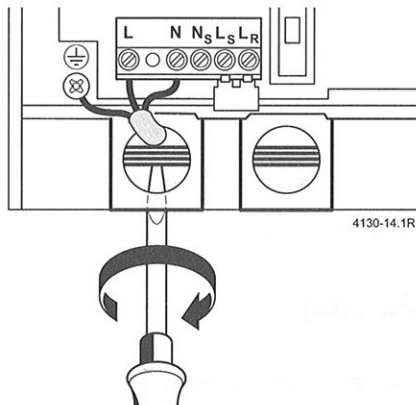


Fig. 28

## 4.2 Connecting TR2 Room thermostat

The TR2 should be connected to terminals 3, 4 and F beneath the Textdisplay, page 8, fig. 4, item 422.

## 4.3 Mains Voltage external controls connections

NOTE: Only double insulated controls not requiring an earth can be used

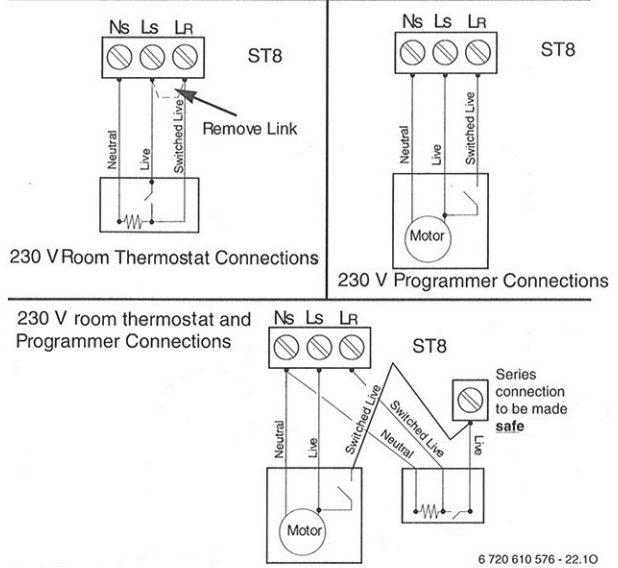
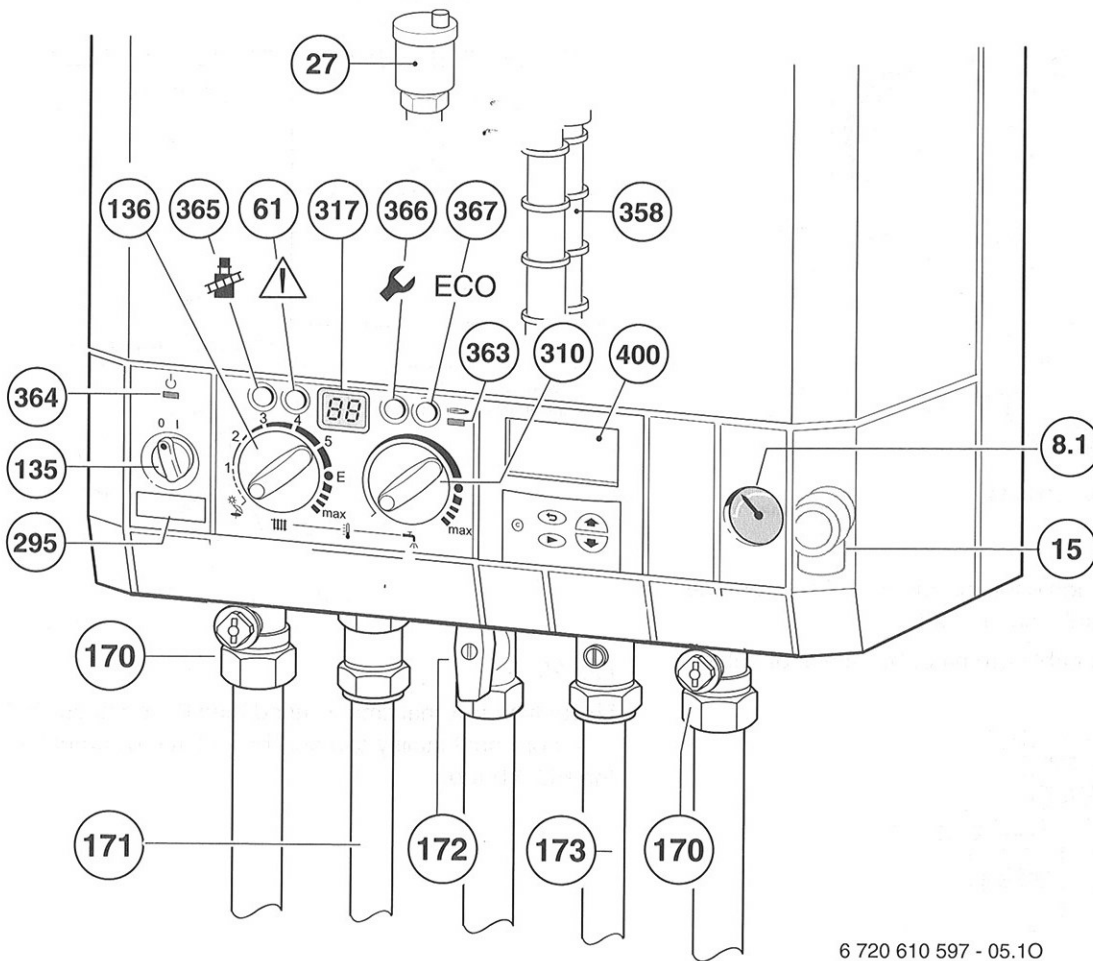


Fig. 29

**Note:** If an external timer is used then the domestic hot water pre-heat facility can only be isolated by actuating the ECO-button.

## 5 Commissioning



6 720 610 597 - 05.10

Fig. 30

- 8.1 Pressure gauge
- 15 Safety valve
- 27 Automatic vent
- 61 Reset button
- 135 Master switch
- 136 Temperature control for central heating
- 170 Service cocks on CH flow and return
- 171 Hot water
- 172 Gas cock (shown in off position)
- 173 Cold water service cock
- 295 Appliance type sticker
- 310 Temperature control for hot water
- 317 Multifunction display
- 358 Condensation trap
- 363 Indicator lamp for burner
- 364 Indicator lamp for power supply
- 365 "Chimney sweep" button
- 366 Service button
- 367 ECO button
- 400 Textdisplay

### 5.1 Commissioning



**Never** run the appliance when empty or unpressurised.



The operational CO<sub>2</sub> level is set at the factory and no adjustment is necessary when installing a natural gas fired appliance.

**Benchmark Water Treatment:** For optimum performance after installation, this boiler and its associated central heating system should be flushed in accordance with the guidelines given in BS7593:1992 - Treatment of water in domestic hot water systems. Full instructions are supplied with proprietary cleansers sold for this purpose. If an inhibitor is to be used after flushing, it should be used in accordance with the inhibitor manufacturers instructions.

To drain the appliance shut the system valves and open the system drain point.

Suitable flushing agents and inhibitors are available from Betz/Dearborn Tel.: 0151 4209563 and Fernox Tel.: 01799 550811. Instructions for use are supplied with these products.



- ▶ **Before commissioning, the gas supply pressure must be checked at the gas supply pressure test point (see page 6, fig. 2, item 7). Natural gas appliances must not be operated if the gas supply pressure is below 18 mbar or above 24 mbar. LPG appliances must not be operated if the supply pressure is not 37 mbar at the inlet to the appliance.**
- ▶ Unscrew the condensation trap (358) and pull out, fill with approx. 1/4 l of water and refit. Refer to fig. 30.
- ▶ Adjust charge pressure of expansion vessel to static head of the central heating system (see page 33).
- ▶ Open all system radiator valves.
- ▶ Turn on service valves (170), fill central heating system to pressure of 1 - 2 bar through the WRAS approved filling loop. Refer to fig. 30.
- ▶ Vent radiators.
- ▶ Refill heating system and set the pressure to 1 bar.
- ▶ Turn on cold water service cock (173). Refer to fig. 30.
- ▶ Check that the gas type specified on the identification plate matches that of the gas supply.
- ▶ Turn on gas cock (172). Refer to fig. 30.

## 5.2 Switching the appliance on/off

### Switching on

- ▶ Switch on the appliance at the master switch (I). The indicator lamp shows green and the display will show the central heating flow temperature, when the appliance is operating in the central heating mode.

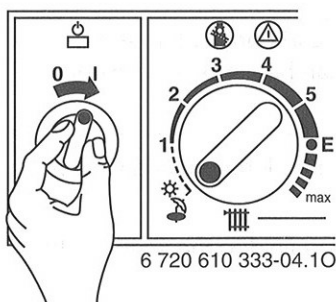


Fig. 31



If the display alternates between **-||-** and the central heating flow temperature, the trap filling programme is active.

The trap filling programme ensures that the condensation trap is filled after the appliance has been installed or after the appliance has been out of use for a long period or the mains supply has been interrupted. For that reason, the appliance remains at minimum heating output for 15 minutes.

- ▶ Open automatic vent (27) and re-close after venting (see page 24).

### Switching off the appliance

- ▶ Set the master switch to (0). The green indicator lamp goes out. The optional timer will continue running until the emergency supply is exhausted.



- ▶ Always disconnect the appliance from the power supply (fuse, circuit breaker) before carrying out any work on the electrical systems or components.

## 5.3 Switching on the central heating

The central heating flow temperature is adjustable between 35°C and 88°C. Refer to table 12, page 33.

- ▶ Turn the temperature control **||||** to set the flow temperature to a level appropriate to the type of central heating system:
  - Underfloor heating: e.g. setting “3” (approx. 50°C)
  - Low-temperature heating: setting “E” (approx. 75°C)
  - Central heating systems for flow temperatures up to 88°C: limited “max” setting for low-temperature operation (see page 33).

When the burner is alight, the **red** indicator lamp lights up.

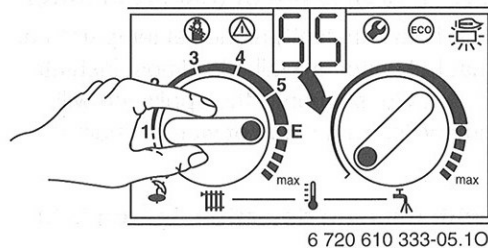


Fig. 32

## 5.4 System controls

- ▶ Set room thermostat to the desired room temperature.
- ▶ Set outside-temperature driven control unit, if fitted. Refer to the instructions with the control.
- ▶ Set the thermostatic radiator valves to the desired settings.

## 5.5 Setting the domestic hot water temperature and flow rate

### 5.5.1 Domestic hot water temperature

The hot water temperature can be set to between approx. 40 °C and 60 °C.

This temperature is not shown on the display.

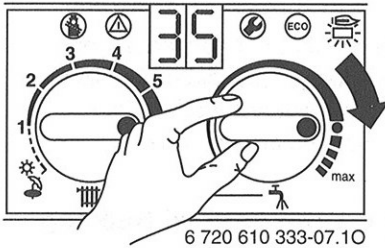


Fig. 33

Setting	Hot Water temperature
Turn fully anti-clockwise	approx. 40°C
●	approx. 55°C
Turn fully clockwise	approx. 60°C

Table 10

### “ECO” button

By pressing and holding the “ECO” button (ECO), until the display lights, you can switch between **Comfort mode** and **Economy mode**.

### Comfort mode: button is not lit (factory setting)

The appliance is held constantly at the set temperature. This means that hot water is available almost instantaneously at the tap. Consequently the appliance will switch on at intervals, even if no hot water is being drawn.

### ECO mode with demand detection, button is lit

The demand detection function enables maximum gas and water economy.

Briefly turning a hot water tap on and then off again signals demand to the appliance which then heats up the water to the set temperature.

Hot water is thus available in about 1 minute.

### ECO mode, button is lit

Water is not heated up until hot water is drawn. This means that there is a longer waiting period before hot water is available.

### 5.5.2 Hot water flow rate

The flow rate is factory set to 8 l/min.

Under standard conditions (2 bar) supply pressure, one full turn is equivalent to approximately 2 l/min.

- ▶ **To increase the flow rate (max. 14 l/min):**  
turn screw on flow switch anti-clockwise (+).  
The outlet temperature will decrease relative to the increase in the flow rate.
- ▶ **To reduce the flow rate (min. 8 l/min):**  
turn screw on flow switch clockwise (-).  
The outlet temperature will increase relative to the decrease in the flow rate.

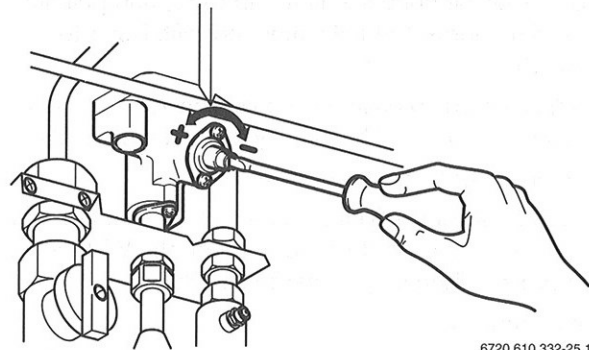


Fig. 34

## 5.6 Summer mode (hot water only)

### With room thermostat

- ▶ Turn temperature control (III) on the appliance anti-clockwise as far as the stop.  
The central heating is now turned off. The hot water function and the mains power supply for the heating programmer and timer remain switched on.

## 5.7 Frost protection

- ▶ Leave master switch switched on.



Frost protection and constant frost protection modes can be set on the text display module.

If the appliance is to be left for long periods switch the central heating off:

- ▶ Add a suitable anti-freeze fluid to the water in the central heating system.  
Suitable products are available from Betz-Dearborn  
Tel.: 0151 4209563 and Fernox Tel.: 01799 550811.

## 5.8 Pump anti-seize function



This function prevents the central heating pump seizing after long periods of inactivity.

Every time the pump is switched off, a timer is started. If after 24 hours the pump has not run again, it is switched on for a period of 10 seconds.

## 5.9 Fault Condition



A list of faults that may occur is given on page 47.

In the unlikely event of a fault occurring while the appliance is in operation:

The display and the text display then show a fault code and the button  may also flash.

If the button  flashes:

- ▶ Press and hold the button  until the display shows “\_ \_”.

The appliance will then start up again and the display will show the central heating flow temperature.

If the button  does not flash:

- ▶ Switch the appliance off and then on again at the master switch.

The appliance will start up again and the central heating flow temperature will be displayed.

## 6 Text Display

### 6.1 General Description

- The text display is used to display information about the appliance and the system and to alter the settings displayed.
- Once the appliance has been in operation for one day, the text display module has a power buffer period of about 10 hours during which it will run without the mains power supply. After that period has elapsed, the clock function shuts down but all other settings are retained.

### 6.2 Programming

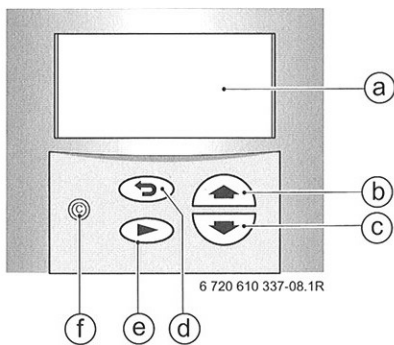


Fig. 35 Controls

- a Display
- b "Up"/"More" button
- c "Down"/"Less" button
- d "Back" button
- e "Next" button
- f "Delete" button

The standard display shows the following information:

- Time
- Room temperature (if TR 2 connected)
- CH flow temperature.

Additional indication if a special programme is active:

- x holidays
- Hot water immediately
- Constant on (comfort, if TR2 is not connected)
- Constant off (economy, if TR2 is not connected).

Other special operating modes may be displayed during commissioning, servicing, etc.

The programming procedure is described in detail below **using the clock** function as an example:

- ▶ To start programming, press any button, e. g. . The display lighting switches on and the main menu is displayed:



Fig. 36 Main menu

- ▶ Use the or button to move the cursor arrow on the left of the menu so that it points to the desired menu item. In this example, the cursor is positioned next to the menu item **Time/day/holidays**.
- ▶ Confirm the selection by pressing the button. The corresponding submenu is displayed:

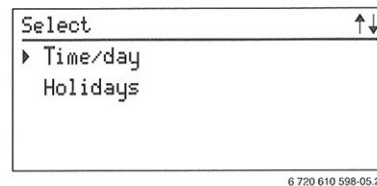


Fig. 37 Submenu: Time/day

In the submenus, the top line indicates what action is required.

The bottom line shows the previous menu level, if applicable (see Fig. 38).

- ▶ Use the or button to select **Time/day**.
- ▶ Confirm the selection by pressing the button. The corresponding submenu is displayed:

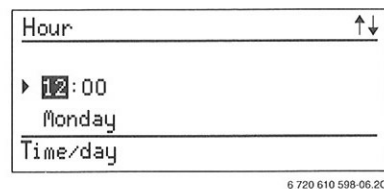



Fig. 38 Setting the hour

When settings are being entered, the setting to be altered is indicated on the top line. In addition, the setting being altered is displayed with a dark background.

- ▶ Use the or button to set the hour.
  - Press and release to change the display by one unit at a time
  - Press and hold to change the display rapidly
- ▶ Confirm the setting by pressing the button.
- ▶ Use the or button to set the minutes.

- ▶ Confirm the setting by pressing the  button.
- ▶ Use the  or  button to set the day of the week.
- ▶ Press the  button to confirm the setting. The cursor then returns to the top line.


**-or-**


- ▶ Press the  button to confirm the setting and return to the previous menu (Fig. 37 page 28).

**-or-**

- ▶ Do not press any other buttons for 15 minutes.

### 6.2.1 Deleting a setting


Either overwrite the setting or press the  button to delete it.

- ▶ Find the setting to be deleted.
- ▶ Press and release the  button.  
The display shows --:--

### 6.2.2 Resetting all parameters to their original settings.



The hours of service can not be reset to 0.

- ▶ Press and hold the  button for more than 15 seconds.

After about 5 seconds, the following message appears on the display:

#### **ATTENTION**

#### **Delete all parameters in x seconds**

Once the reset has been completed, the following message is displayed:

#### **Please wait... Initialising**

## 6.3 Menu structure

Main menu	Submenu			Parameters to change/select	Page	
	1.	2.	3.			
Time/ day/holi- days	Time/day	-	-	- Hours - Minutes - Day of week	30	
	Holidays	-	-	Days holiday	30	
Heating	Heating program	-	-	- Day - 1st operating mode - 1st switching point ... - 6th switching point	30	
	Set economy temp. (if TR2 is connected)	-	-	5...30°C	30	
	Manual (if TR2 is not connected)	-	-	- Automatic - Constant on (comfort) - Constant off (economy)	31	
Hot water	Hot water program	-	-	- Day - 1st operating mode - 1st switching point ... - 6th switching point	31	
	Hot water immediately	-	-	Off/On	31	
Info	-	-	-	-	31	
Settings	Heating	-	-	Optimum Start Off/On	32	
	Service	Display service param.	-	-		32
		Further options	Language	-English/ -Français/ -Deutsch		32
	-Time correction -LCD contrast				32	
	Operating times	-	-		32	
	Fault history	-	-		32	

## 6.4 Setting the time/day

### 6.4.1 Setting the time and day

For details of how to set the time and day, refer to page 28.



#### Changing winter and summer time:

- ▶ Only adjust the clock! Do not alter the switching points (for heating, economy, etc.).

### 6.4.2 Holidays

In the Holiday programme, the central heating runs in Economy mode and the hot water is switched off (frost protection function remains active).

- ▶ From the main menu, select **Time/day/holidays**, and from the first submenu select **Holidays**.
- ▶ Enter the number of days holiday by pressing or (max. 99 days holiday).  
After the set number of days, the text display module automatically cancels Economy mode at midnight on the last day and returns to Automatic mode.



The day on which you enter the days holiday counts as the first day of the holiday, i.e. the unit starts the holiday program immediately. Only include the day on which you are returning if you **don't** want the heating to return to the normal program on that day!

To cancel Holiday mode early:

- ▶ In the **Holidays** submenu:  
Press the button until the display shows **0**.

## 6.5 Heating

### 6.5.1 Heating programme

#### Basic setting (Automatic mode)

- The appliance switches automatically between normal heating, Economy mode and Frost protection mode according to the timer settings entered.
- Basic setting:
  - Heating starts at 6:00 am
  - Economy starts at 10:00 pm

#### Setting options

- Maximum of six switching points per day with three different operating modes (Heating, Economy, Frost protection).
- Same times for Monday to Friday.
- Same times for Saturday and Sunday.
- Different times for every day.

### Setting switching times and operating mode

- ▶ From the main menu select **Heating** and then from the first submenu, select **Heating program**.
- ▶ Select **Monday - Friday**, Saturday and Sunday or an individual day of the week.
  - **Monday - Friday**: to have "Heating" and "Economy" or "Frost protection" switching on at the same times every weekday.
  - **Saturday - Sunday**: to have "Heating" and "Economy" or "Frost protection" switching on at the same times Saturday and Sunday.
  - Individual day of the week (e. g. **Thursday**): to have the relevant program always switching on at the specified time on that day of the week, i.e. "Heating", "Economy" or "Frost protection" at the same time every Thursday.
- ▶ Press . The display shows **Set 1. operating mode**.
- ▶ Set the desired first operating mode (Heating, Economy or Frost protection).
- ▶ Press . The display shows **Set 1. time period**.
- ▶ Set the desired first time period.
- ▶ Press . Set the following operating modes and time periods as described for the first.
- ▶ If necessary: select the next day and enter the operating modes and timer periods as described above.



If the settings for a particular day of the week are different from the settings for the other days, then if **Monday - Friday or Saturday and Sunday** is selected, the display shows **--:--**, i.e. there are no common switching points for those options.

Timer periods and operating modes are you do not wish to change can be skipped by pressing .

### 6.5.2 Setting the Economy temperature (if TR2 is connected)


This option allows you to set the room temperature for Economy mode (**Off (Economy)**).

This function is only active if:

- Automatic mode or Economy mode is set on the TR2 room thermostat.
- ▶ From the main menu, select **Heating** and then from the first submenu, select **Set Economy temp.**
- ▶ Use the or button to set a temperature between 5 and 30 °C.

### 6.5.3 Manual operating mode (if TR2 is not connected)

For selecting an operating mode that is different from the one set in the heating programme (**Automatic mode**).

- You can choose between **Automatic, Constant on (comfort)** and **Constant off (economy)**.
  - The manually selected operating mode starts immediately.
  - Constant off (economy) and Constant on (comfort) are automatically reset at 00.00 (midnight).
  - To cancel the manually selected operating mode:
    - select the relevant menu and then press the  button,
    - or select a different operating mode,
    - or set **Holiday**.
- ▶ From the main menu select **Heating** and then from the first submenu **Manual** select required mode.

## 6.6 Hot water



### General description

- The basic settings provide a straightforward timer programme: enabled from 5:00 am, disabled from 10:00 pm. The ECO button must not be lit (Comfort mode).

#### 6.6.1 Hot water programme

- Up to six switching points per day can be set.
  - There are two operating modes: Blocked and Released.
- ▶ From the main menu, select **Hot water** and then from the first submenu, select **Hot water program**.
- ▶ Set the days of the week, Blocked/Released (operating mode) in the same way as for the switching points and modes for heating as described on page 30.

#### 6.6.2 Hot water immediately

- **Hot water immediately ON:**
    - Comfort mode is active for 2 hours.
  - **Comfort mode is active for 2 hours:** normal automatic program (Hot water mode according to timer programme entered).
- ▶ From the main menu, select **Hot water** and then from the first submenu, select **Hot water immediately**.
- ▶ Press  or  to switch **Hot water immediately** on or off.

## 6.7 i Info

- ▶ Select **Info** from the main menu.



You can view the following information:

Display text	Description
<b>Room temperature</b> (if TR 2 connected)	Current temperature in the room where TR 2 is installed
<b>Required room temperature</b> (if TR 2 connected)	Required temperature in room where TR 2 is installed
<b>Operating mode</b> (if TR 2 connected)	E. g. Heating, Economy in Automatic mode or Economy, Heating, Frost protection in manual mode
<b>Max. flow temp.</b>	Maximum CH flow temperature set on the temperature control for CH flow
<b>Actual flow temp.</b>	Actual CH flow temperature
<b>Required flow temp.</b>	Required CH flow temperature
<b>Max HW temp.</b>	Maximum permissible hot water outflow temperature
<b>Required HW temp.</b>	Required hot water temperature
<b>Actual HW temp.</b>	Actual hot water outflow temperature
<b>Boiler operat. mode winter/ summer</b>	Indicates which mode the CH flow temperature control is set to
<b>Burner on/off</b>	Indicates whether the burner is alight or not
<b>Pump on/off</b>	Indicates whether the integral pump is switched on or off

## 6.8 Settings

### 6.8.1 Heating (if TR 2 is connected)



#### Optimum Start

- ▶ From the main menu, select **Settings** and from the first submenu, select **Heating**.
- ▶ Press  or  to switch Optimum Start on or off.


Basic setting: "ON"

### 6.8.2 Hot Water (Storage Tank, ZSBR models only)

The text display can control the hot water either with **Times and temperatures** or **only times**.

- **Times and temperatures:** One can choose up to six different times with temperatures, see page 31 "Hot water".
- **Only times:** During that times the Storage Tank will be charged to the choosed temperature.
- ▶ From the main menu, select **Settings** and from the first submenu select **hot water**.
- ▶ Press  or  to switch Times and temperatures or **only times**.



Turn the hot water temperature control  always higher than the temperature at the text display is choosen.

### 6.8.3 Service



#### Displaying service functions

This option displays various current settings and statuses of the electrically controlled appliance and system components for the benefit of the heating engineer.

#### Service parameters

Language




Available languages are: English, Français (French), Deutsch (German).




- ▶ From the main menu, select **Settings**, from the first submenu select **Service**, from the Second submenu select **Further options**, and from the third submenu select **Language**.
- ▶ Press  or  to select the desired language.

Two other supplementary functions can be selected from the third submenu Language:

- Time correction
- LCD contrast.







Time correction:

- ▶ Press and hold the  button (about 5 seconds) until the display shows **Time correction and LCD contrast**.
- ▶ Press  or  to select **Time correction**.

- ▶ Press the  button. The display shows **Change value**.
- ▶ Press  or  to set the number of seconds in 24 hours.

Basic setting: "+ 0 s"

LCD contrast:

- ▶ Press and hold the  button (about 5 seconds) until the display shows **Time correction and LCD contrast**.
- ▶ Press  or  to select **LCD contrast**.
- ▶ Press the  button. The display shows **Change value**.
- ▶ Press  or  to adjust the **LCD contrast**.

Basic setting: e. g. "47"

Operating times

This option shows the hours of service (appliance, burner and hot water) since commissioning.

- ▶ From the main menu, select **Settings**, from the first submenu select **Service**, from the Second submenu select **Further options**, and from the third submenu select **Operating times**.

Fault history

This option displays any faults that have occurred for the information of the service engineer. The first fault displayed may still be active. Any other faults displayed are no longer active.

- ▶ From the main menu, select **Settings**, from the first submenu select **Service**, from the Second submenu select **Further options**, and from the third submenu select **Fault history**.

## 6.9 Individual timer programmes

Tables for your own timer programmes you find in the user manual.



## 7 Individual settings

### 7.1 Mechanical settings

#### 7.1.1 Checking the size of the expansion vessel

##### System Capacity – BS7074:1

Expansion Vessel Pressure and System Capacity		ZWBR 7-30	ZWBR 11-35
Expansion Vessel	litres	18	10
Expansion Vessel Charge Pressure	bar	0.75	0.75
System pressure and capacity	1 bar	litres	82
	1.5 bar	litres	46

Table 11

#### 7.1.2 Setting the central heating flow temperature

The central heating flow temperature can be set to between 35°C and 88°C.



With underfloor heating systems, observe the maximum permissible flow temperatures.


##### Limited maximum setting for low-temperature operation

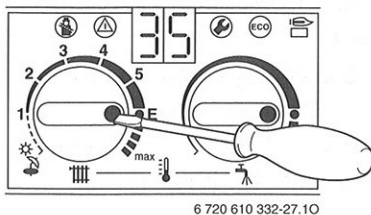
The temperature control is factory limited to setting **E**, giving a maximum flow temperature of 75°C.

Adjustment of the heating output to the calculated heat demand is not required by the heating systems regulations.

##### Removing the maximum setting limit

For heating systems which require higher flow temperatures, the maximum setting limit can be removed.

- ▶ Lift off the yellow button on the temperature control  with a screwdriver.



6 720 610 332-27.10

Fig. 39

- ▶ Rotate yellow button through 180° and replace (dot facing inwards).  
The CH flow temperature is no longer limited.

Control setting	CH flow temperature
1	approx. 35°C
2	approx. 43°C
3	approx. 51°C
4	approx. 59°C
5	approx. 67°C
<b>E</b>	<b>approx. 75°C</b>
max	approx. 88°C

Table 12

### 7.2 Settings on the Bosch Heatronic

#### 7.2.1 General description

The text display module provides a convenient means of setting various appliance functions.

This description is limited to those functions necessary for commissioning.

Service function	code no.	see page
Anti-cycle time	<b>2.4</b>	34
Max. CH flow temp.	<b>2.5</b>	34
Max. heating output	<b>5.0</b>	34
Constant hot water cycle-time	<b>6.8</b>	34
Variable pump settings	<b>7.0</b>	34











Table 13



For a detailed description, refer to Service Booklet for the Engineer 7 181 465 347.



















#### Displaying service functions

All service functions are displayed.

- ▶ Press any button to activate the main menu.
- ▶ Press  or  button until the arrow cursor is pointing to **Settings**.
- ▶ Press the  button.
- ▶ Press  or  button until the arrow cursor is pointing to **Service**.
- ▶ Press the  button.
- ▶ Press the  button to select **Display service parameters**.  
Service function **0.0, Last fault** is displayed.
- ▶ Press the  or  button to cycle through the current settings.
- ▶ Press the  button to exit the menu.

### Setting service functions

Only the service functions that can be set are displayed.

- ▶ Press any button to activate the main menu.
- ▶ Press  or  button until the arrow cursor is pointing to **Settings**.
- ▶ Press the  button.
- ▶ Press  oder  button until the arrow cursor is pointing to **Service**.
- ▶ Press the  button.  
The cursor is pointing to **Display service parameters**.
- ▶ Press and hold the  button (for about 5 seconds) until the display shows **Adjust service parameters** and the first service function to be set, e.g. **2.0, Operating mode**. If a fault has occurred, the display will show 0.0 and the last fault.
- ▶ Press the  or  button until the desired service function is displayed.
- ▶ Press the  button.  
The first line of the display shows **Change value**.
- ▶ Use the  or  buttons to enter the required setting.
- ▶ Press the  button.  
The text display shows **ATTENTION Store settings?**
- ▶ Press  or  to select **yes** or **no**.
- ▶ Press  to confirm your selection.  
The text display shows **Please wait ...** ..., and the service function is then displayed with the new setting.
- ▶ Press the  or  button until the next function you wish to change is displayed.

-or-

- ▶ Press the  button to exit the menu.

#### 7.2.2 Setting the anti-cycle time (Service Function 2.4)

This service function is only active if Service Function 2.7, automatic anti-cycle time, is deactivated.

The anti-cycle time can be set to between 0 and 15 minutes (is factory set to 3 minutes).

If the setting 0 is entered, the anti-cycle time is inactive.

The shortest possible anti-cycle time is 1 minute (recommended for single-pipe and hot-air heating systems).



If the appliance is connected to an outside-temperature controlled heating programmer, the anti-cycle time does not need to be set on the appliance and is optimised by the programmer instead.

#### 7.2.3 Setting the maximum CH flow temperature (Service Function 2.5)

The maximum CH flow temperature can be set to between 35°C and 88°C (factory setting).

#### 7.2.4 Setting the heating output (Service Function 5.0)

The heating output can be set to any level between min. rated heat output and max rated heat output to limit it to the specific heat requirements.



The full rated heat output is still available for hot water or charging the hot water cylinder even if the heating output has been limited.

The factory setting is the max. rated heat output, 100 %.

- ▶ Look up heating output in kW and corresponding code number on the settings tables for heating output (see page 49).
- ▶ Enter the code number on the text display module.
- ▶ Measure the gas flow rate and compare with the figures specified for the code number shown. If different, correct code number.

#### 7.2.5 Constant hot water cycle time (Service Function 6.8)

In Comfort mode "ECO light off", the hot water inside the appliance is held constantly at the set temperature. For that reason, the appliance switches on if the water temperature falls below a certain temperature. In order to prevent it switching on and off too frequently, the constant hot water cycle time service function allows you to set the minimum period between switching off and on again. This function has no effect on normal demand for hot water and relates only to the constant hot water function in Comfort mode.

The cycle time can be set to any period between 20 and 60 minutes (is factory set to 20 minutes).

#### 7.2.6 Variable pump settings (Service Function 7.0)

The pump speed varies automatically to match the water flow requirement of the system determined by the position of thermostatic radiator valves. An automatic by-pass must not be used.

The Service Function 7.0 is factory set to 4 which will accommodate the majority of heating systems.

Information on the re-settings of this function can be found in the Service Booklet for the Engineer number 7 181 465 347.

### 7.3 Setting the gas/air ratio

The appliance is set at the factory and adjustment is not necessary.

## 8 Converting the appliance to different gas types

The setting is factory sealed at maximum. Adjustment to the rated heat input and min. heat input is not necessary.

### Checking the gas supply pressure

- ▶ Check the gas supply pressure at the gas supply pressure testing point.



Natural gas appliances must not be operated if the gas supply pressure is below 18 mbar or above 24 mbar. LPG appliances must not be operated if the supply pressure is below or above 37 mbar.

### Natural gas

- Appliances for **natural gas type G20** are factory set to Wobbe-Index 15 kWh/m<sup>3</sup> and 20 mbar supply pressure and sealed.

### Conversion kits

Model	For conversion from ...	Order no.
ZWBR 7-30	N.G to L.P.G	8 719 001 012
ZWBR 11-30	L.P.G to N.G	8 719 001 013
ZWBR 11-35	N.G to L.P.G	7 710 149 047
ZWBR 14-35	L.P.G to N.G	7 710 239 083

Table 14

- Instructions are sent with each conversion kit.

### 8.1 Setting the gas/air ratio

The gas/air ratio may only be adjusted on the basis of a CO<sub>2</sub> measurement at max. heat output and min. heat output using an electronic tester.

- ▶ Switch off the appliance at the master switch (O).
- ▶ Remove the outer case (see page 16, fig. 13).
- ▶ Switch on the appliance at the master switch (I).
- ▶ Unscrew sealing plug from flue gas testing point (234). Refer to fig. 40.

- ▶ Insert testing probe about 135 mm into the flue gas testing point and seal testing point.

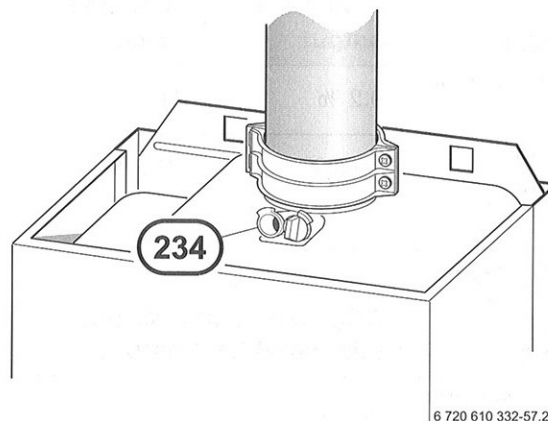


Fig. 40

- ▶ On the text display unit, select in the main menu **Settings, Service, Display service parameters**.
- ▶ Press and hold the button (for about 5 seconds) until the display shows **Adjust service parameters** and the first service function to be set, **2.0 Operating mode**. If a fault has occurred, the display will show 0.0 and the last fault.
- ▶ Press or until the display shows **2.0 Operating mode normal**.
- ▶ Press the button.
- ▶ Press or to select Max.
- ▶ Measure the CO<sub>2</sub> level.
- ▶ Prise off the seal on the gas flow restrictor.
- ▶ Adjust the gas flow restrictor (63) to obtain the CO<sub>2</sub> level given in Table 15. Refer to fig. 42.

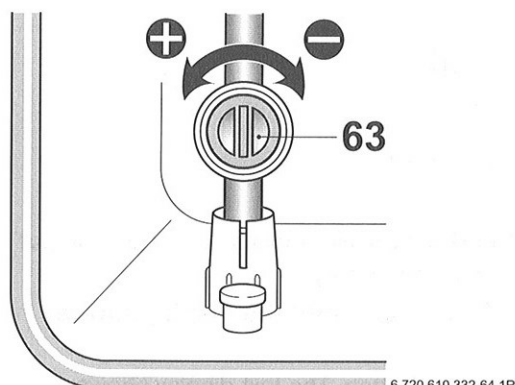




Fig. 41

ZWBR 7-30		
Gas Type	CO <sub>2</sub> reading at max. rated heat output	CO <sub>2</sub> reading at min. rated heat output
Natural gas type G20	9.2 %	8.8 %
LPG G31 (propane)	10.8 %	10.5 %

Table 15

ZWBR 11-35	
Gas Type	CO <sub>2</sub> reading at max. and min. rated heat output
Natural gas type G20	9.2 %
LPG G31 (propane)	11.0 %

Table 16

- ▶ Press  or  to select Min.
- ▶ Measure the CO<sub>2</sub> level.
- ▶ Remove the seal from the gas valve adjusting screw (64) and adjust the CO<sub>2</sub> level to the figure given in Table 15 for min. rated heat output. Refer to fig. 42.

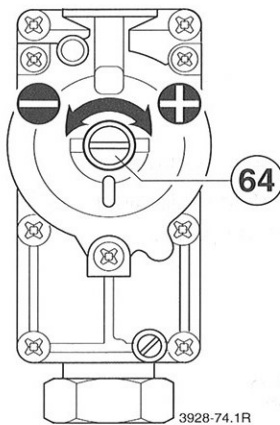







Fig. 42

- ▶ Recheck the levels at min. and max. rated heat output and re-adjust if necessary.
- ▶ Press  or  until the display shows **normal**.
- ▶ Press the  button. The text display shows **Store settings**.
- ▶ Press  to select **yes**.
- ▶ Press the  button.
- ▶ Remove testing probe from the flue gas testing point (234) and refit sealing plug.
- ▶ Re-seal gas valve adjusting screw and gas flow restrictor.
- ▶ Replace the outer case by locating it on the top lugs and pushing backwards until the bottom clips are

fully engaged. Check that the case is properly aligned with facia. Refer to fig. 13.



- ▶ Secure by replacing the screw at the bottom left. Refer to fig. 13.

## 8.2 Testing combustion air/flue gas at set heat output

### 8.2.1 Testing the O<sub>2</sub> or CO<sub>2</sub> level in the combustion air



By testing the O<sub>2</sub> or CO<sub>2</sub> level in the combustion air the gas tightness of a type C<sub>13</sub> or C<sub>33</sub> **flue system** can be checked. The O<sub>2</sub> level must not be less than 20,6 %. The CO<sub>2</sub> level must not exceed 0,2 %.

- ▶ Press and hold the  button until the display shows --. "Chimney sweep" mode is now active. The  button will light up and the display shows the CH flow temperature.



In "chimney sweep" mode, the appliance switches to max. rated heat output or the set heating output. You then have 15 minutes in which to measure the levels. After that, the appliance switches back from "chimney sweep" mode to normal mode.

- ▶ Remove sealing plug from combustion air testing point (234.1, Fig. 43).
- ▶ Insert testing probe about 80 mm into the testing point and seal testing point.

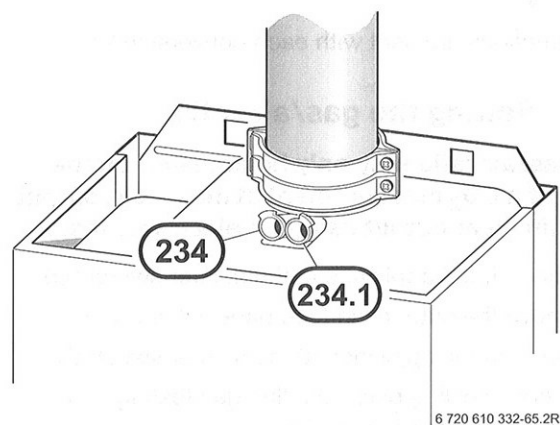

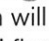




Fig. 43



- ▶ Measure O<sub>2</sub> and CO<sub>2</sub> levels.
- ▶ Refit sealing plug.
- ▶ Press and hold  button until the display shows --. The  button will stop flashing and the display shows the CH flow temperature.

### 8.2.2 Testing CO and CO<sub>2</sub>

- ▶ Press and hold the  button until the display shows --. "Chimney sweep" mode is now active. The  button will light up and the display shows the CH flow temperature.



You have 15 minutes in which to measure the levels. After that, the appliance switches back from "chimney sweep" mode to normal mode.

- ▶ Remove sealing plug from flue gas testing point (234, Fig. 43).
- ▶ Insert testing probe about 135 mm into the testing point and seal testing point.
- ▶ CO- and CO<sub>2</sub> levels.
- ▶ Refit sealing plug.
- ▶ Press and hold  button until the display shows --. The  button will stop flashing and the display shows the CH flow temperature.

## 9 Maintenance



- ▶ Always disconnect the appliance from the electrical power supply (fuse, circuit breaker) before carrying out any work on the electrical systems or components.



- ▶ Always turn off the gas cock before carrying out any work on components which carry gas.



There is a Service booklet for the Engineer, order no. 7 181 465 347, available to competent persons.



All safety and control systems are monitored by the Bosch Heatronic. In the event of a component fault, the textdisplay shows a fault code.

- ▶ The User should be recommended to have the appliance serviced regularly by a competent person.
- ▶ Use only genuine spare parts
- ▶ Refer to the Spare Parts List when ordering spare parts.
- ▶ Always renew seals and O-rings removed during servicing or repair work.
- ▶ Use only the following types of grease:
  - Water valve: WRAS approved silicon based grease
  - Unions: approved sealant.
- ▶ To drain the appliance shut the system valves and open the pressure relief valve.
- ▶ Upon completion of any electrical work check for earth continuity, correct polarisation and resistance to earth.

### Replace the text display module or the Heatronic PCB

If the text display module is replaced, the service function settings are retained.

- ▶ The remaining settings have to be re-entered.

If the Heatronic PCB is replaced:

- ▶ Re-enter the service function settings as recorded in the commissioning record.

**9.1 Pre-Service Check List**

		Date							
1	Call up the last fault stored by the text-display , (see page 32).								
2	Check ionisation current, Service Function <b>3.3</b> , (see page 39).								
3	Perform visual check of air/flue duct. Visual check of diaphragm for soiling and splits (see page 41).								
4	Check gas supply pressure (see page 35).	mbar							
5	Test combustion air/flue gas (see page 36).								
6	Check CO <sub>2</sub> setting for min./max. (gas/air ratio) (see page 36).	min. % max. %							
7	Check gas and water systems for leaks (see page 16).								
8	Check hot water outlet temperature (see page 39).								
9	Check heat exchanger (see page 39).	mbar							
10	Check burner (see page 40).								
11	Clean condensation trap (see page 41).								
12	Check charge pressure of expansion vessel matches static head of heating system.	mbar							
13	Check central heating system pressure.	mbar							
14	Check electrical wiring for damage.								
15	Check heating programmer settings in the textdisplay.								
16	Check appliances that are part of the heating system.								

Table 17

## 9.2 Description of servicing operations

The combustion performance must be checked before and after any servicing work on the combustion and burner components. Refer to section 8.2.

### Checking the ionisation current, Service Function 3.3

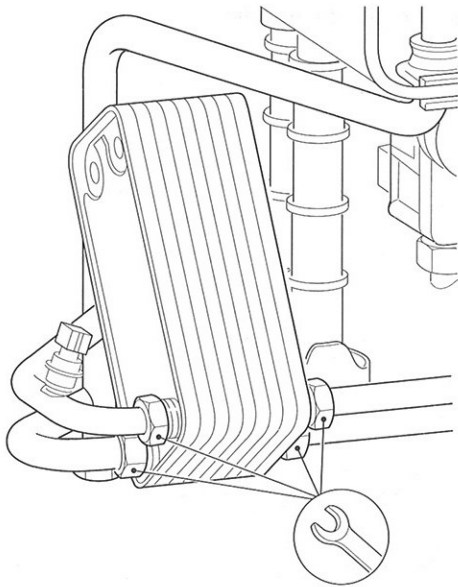
- ▶ Select Service Function **3.3**. (See page 33 "Displaying Service Functions")

If the display shows 2 or 3, the ionisation current is OK. If the display shows 0 or 1, the electrode assembly (32.1, page 6) must be cleaned or replaced.

### Domestic hot water

If the flow rate is too slow:

- ▶ remove the domestic hot water heat exchanger and replace,
- or-
- ▶ descale with a descaling agent approved for use on stainless steel.
- ▶ Before removing the heat exchanger shut the inlet valve and drain the hot water circuit.
- ▶ Use new seals when replacing the heat exchanger.



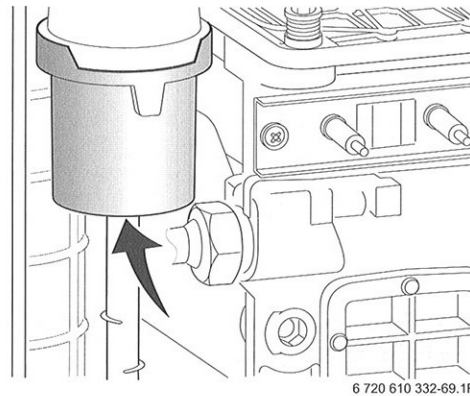
7 181 465 330-06.1R

Fig. 44

### Primary Heat exchanger

There is a special accessory kit (no. 840) for cleaning the heat exchanger, order no. 7 719 001 996.

- ▶ Check control pressure on the air - gas mixer unit at max. rated heat output using an electronic manometer.



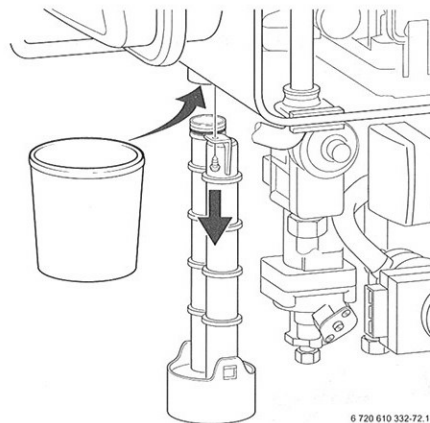
6 720 610 332-69.1R

Fig. 45



The heat exchanger should only be cleaned if the control pressure is  
**3.0 mbar** (ZWBR 7-30)  
**4.0 mbar** (ZWBR 11-35)  
 (depression) or less.

- ▶ Remove cleaning access cover (415, page 6) and the metal plate below it, if present. Refer to fig. 2.
- ▶ Unscrew condensation trap and place suitable container underneath. Refer to fig. 46.
- ▶ Remove the fan and the burner as described in the text headed "Burner" (see page 40).



6 720 610 332-72.1R

Fig. 46

- ▶ Loosen any deposits in the heat exchanger from top to bottom using the cleaning blade. Refer to fig. 47.

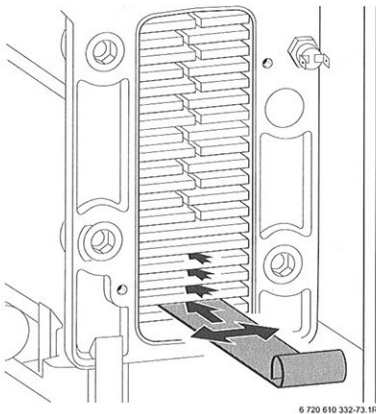


Fig. 47

- ▶ Clean the heat exchanger from top to bottom using the brush. Refer to fig. 48.

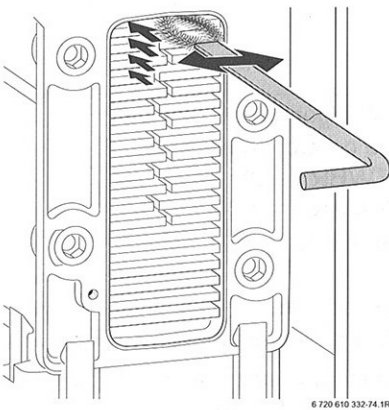


Fig. 48

- ▶ Flush the heat exchanger from the top. Refer to fig. 49.
- ▶ Clean out the condensate collector and trap connection (with other end of brush).

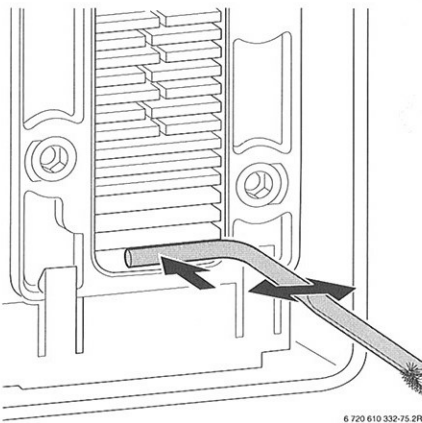


Fig. 49

- ▶ Refit the clean-out cover using a new seal and tighten screws to torque of approx. 5 Nm.

### Burner

- ▶ Check that the gas cock is turned off and the master switch is in the OFF position.
- ▶ Remove the clips (1) and unscrew the two bolts (2). Refer to fig. 50.
- ▶ Unscrew and remove the two hexagon screws securing the fan (3).
- ▶ Slacken fully the rear securing bolt (4).
- ▶ Remove the burner coverplate.

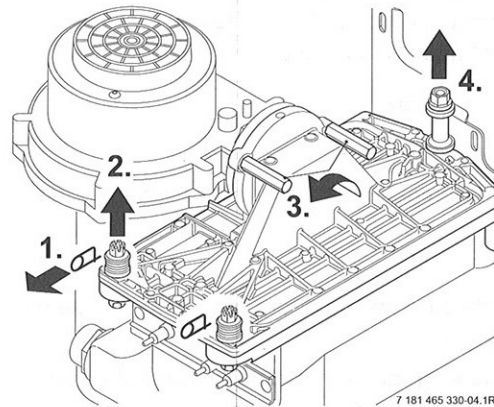


Fig. 50

- ▶ Remove the burner skin and clean components. Do not use a wire brush. Refer to fig. 51.

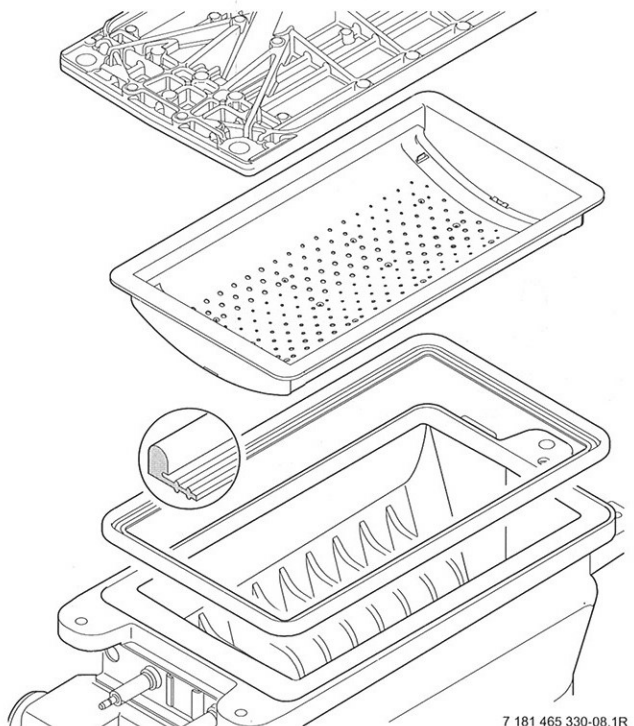


Fig. 51

- ▶ Re-assemble burner in reverse order using a new seal.
- ▶ Adjust gas/air ratio (see page 35). Refer to section 8.2.



### Condensation trap


In order to prevent spillage of condensate the condensation trap should be completely removed, (see page 39, fig. 46).

- ▶ Unscrew condensation trap and check connection to heat exchanger is clear.
- ▶ Remove condensation trap cover and clean.
- ▶ Fill condensation trap with approx. 1/4 l of water and refit.

### Electrode assembly

- ▶ Switch off the master switch.
- ▶ Pull off the leads from the electrodes. Refer to fig. 2.
- ▶ Unscrew the two fixing screws and carefully remove the electrode assembly. Refer to fig. 45.
- ▶ Clean the electrodes with a non-metallic brush. (The spark gap should be 4.5 mm ± 0.5 mm.)
- ▶ Replace and re-connect the assembly taking care not to mislay the inspection window.

### Diaphragm in mixer unit for ZWBR 7-30 HE plus

 ▶ Take care not to damage diaphragm (443) when removing and refitting it.

- ▶ Open mixer unit (29).
- ▶ Carefully withdraw diaphragm (443) from fan intake tube and check for soiling and splits.

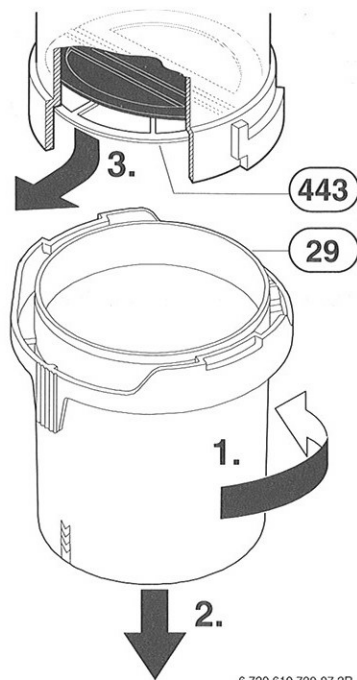



Fig. 52

- ▶ Carefully refit diaphragm (443) the correct way round into the fan intake tube.

 The flaps of the diaphragm (443) must open upwards.

- ▶ Seal the mixer unit (29).

### Diaphragm in mixer unit for ZWBR 11-35 HE plus

- ▶ Remove fan and mixer unit assembly.

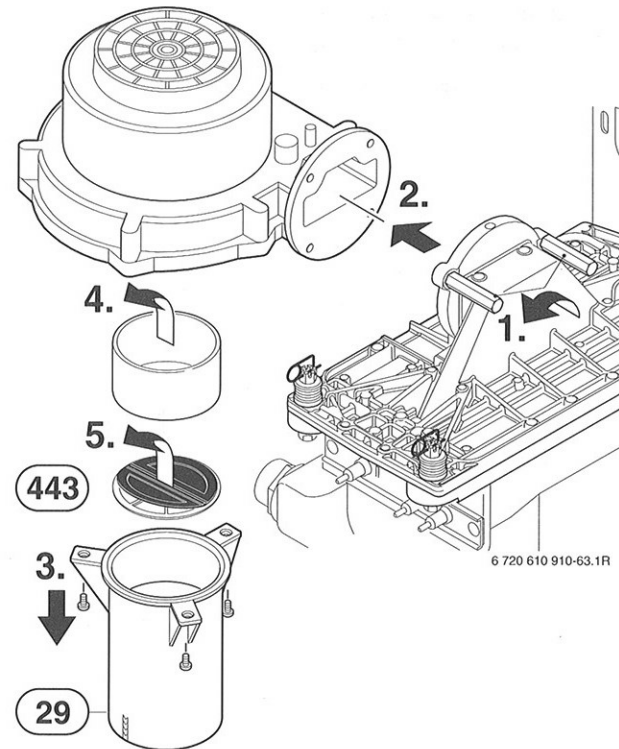



Fig. 53

- ▶ Unscrew mixer unit (29).
- ▶ Remove sleeve.
- ▶ Carefully remove diaphragm (443) and check for soiling and cracks.
- ▶ Refit diaphragm (443) taking care to ensure it is the correct way round.

 The flaps of the diaphragm (443) must open upwards.

- ▶ Refit mixer unit (29) and fan assembly.

### Siphon

- ▶ Unscrew the clip and disconnect the pipe to the siphon.
- ▶ Remove the yellow plug to drain the siphon.
- ▶ Unscrew the securing nut from beneath the side facia and remove the siphon. Refer to figure below.
- ▶ Refit and prime the siphon.

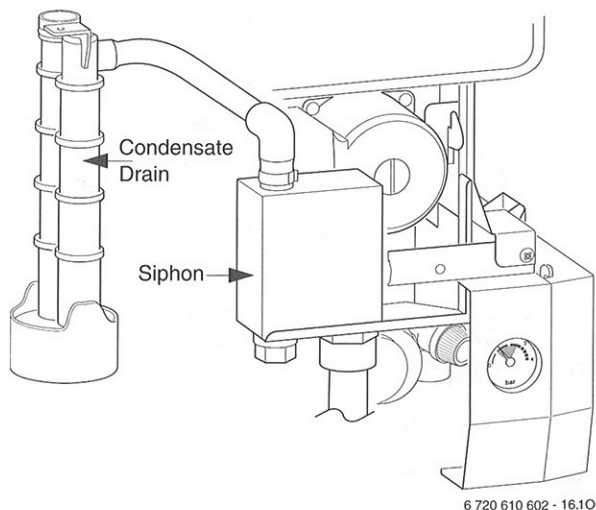


Fig. 54

### Expansion vessel

The expansion vessel should be checked once a year.

- ▶ Depressurise appliance.
- ▶ If necessary, adjust expansion vessel charge pressure to static head of the heating system.

### Heating system pressure



Fill the system using the WRAS approved filling loop.

- ▶ The pointer on the pressure gauge should be 1 bar.
- ▶ If the pointer is below 1 bar (when the system is cold), water should be added until the pointer is 1 bar again.
- ▶ **Max. pressure** of 2.5 bar when the heating system water is at maximum temperature must not be exceeded. If this pressure is exceeded then an extra expansion vessel must be fitted in the system return as close to the appliance as possible.
- ▶ If the system does not retain the pressure, the expansion vessel and the heating system should be checked for leaks.

## 9.3 Replacement of Parts

Before changing any components check that the gas is turned off and that the appliance is electrically isolated. When necessary close the system valves and drain the appliance.

Refitting is a reverse of the procedure for removal using new seals or o-rings as appropriate.

### 9.3.1 PCB control board and transformer

- ▶ Switch off the appliance.
- ▶ Disconnect appliance from the power supply.
- ▶ Unplug all connectors from the control box (inc. keyed plug). Access is gained by removing the covers. Refer to fig. 25, 26.
- ▶ Remove screw holding power connector earth lead and remove earth lead.
- ▶ Remove two top fixing screws from the control box. Refer to fig. 55.

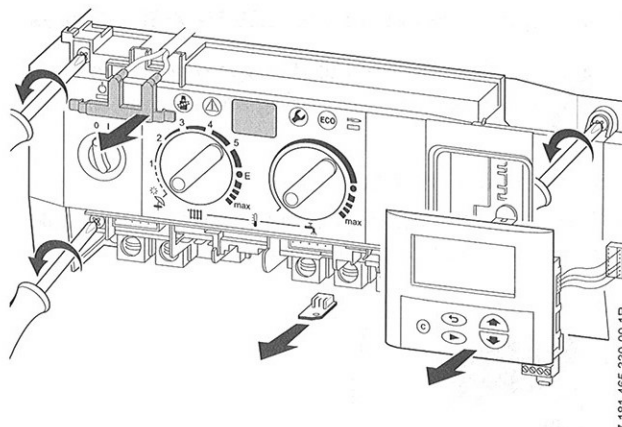


Fig. 55

- ▶ Lower the control box.
- ▶ Unscrew earth lead.
- ▶ Unscrew four fixing screws from cover plate. Refer to fig. 56.
- ▶ Prise off cover plate.
- ▶ Pull off transformer.
- ▶ Remove pcb holder.

- ▶ Remove the pcb control board.

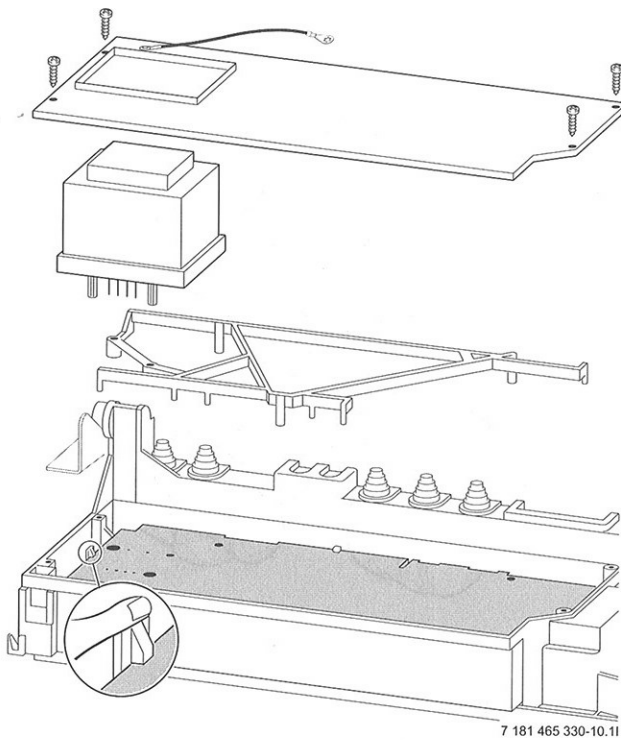


Fig. 56

### Fuses

- ▶ Remove the connections covers. Refer to fig. 25, 26.

The fuses are located adjacent to the mains connector block and connector ST18. Refer to fig. 4.

Fuse, item 312, is only replaceable by removing the pcb.

Spare fuses are fixed to the connections cover.

A fuse pack is available: Part number 8 744 503 010 0.

### 9.3.2 Fan Assembly



Fig. 57

- ▶ Switch off the appliance.
- ▶ Disconnect the appliance from the power supply.
- ▶ Undo lower pipe union on gas pipe (1.). Refer to fig. 57.
- ▶ Remove fan lead and earth connector (2.). The earth connector has a positive clip fixing.
- ▶ Remove fixing screws attaching fan to the burner cover (3.).
- ▶ Remove fan together with gas pipe and mixer unit.
- ▶ Separate the fan from the pipe and mixer unit by twisting the mixer unit to release it (4.).

### 9.3.3 Pump

- ▶ Switch off the appliance.
- ▶ Disconnect the appliance from the power supply.
- ▶ Remove two switchbox fixing screws (1.). Refer to fig. 58.
- ▶ Lower switchbox (2.).
- ▶ Remove screw from underside of right-hand plastic cover plate (3.).
- ▶ Pull cover plate forwards to remove (4.).
- ▶ Unscrew and remove the the siphon by releasing the jubilee clip. Refer to fig. 54.
- ▶ Unscrew the pump union nuts (5.). Refer to fig. 58.
- ▶ Carefully remove the pump and disconnect the leads.

**Alternatively**

- ▶ After removing the siphon release the four Allen screws and remove and replace the pump head.

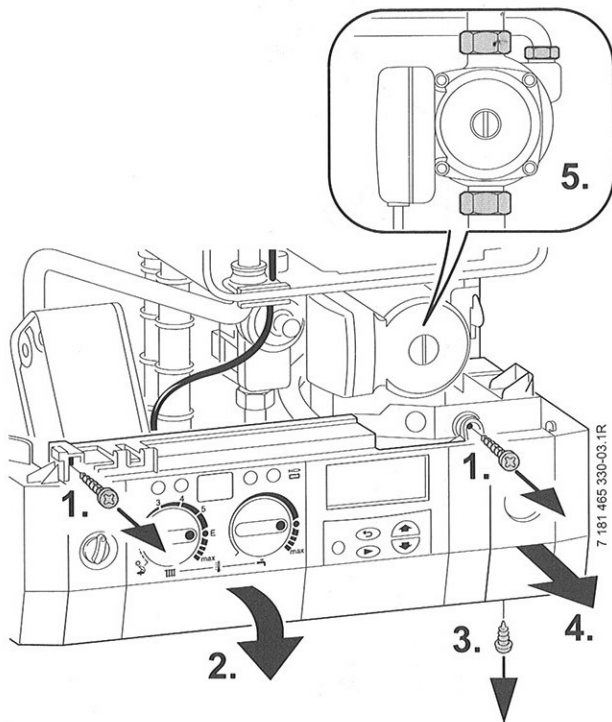
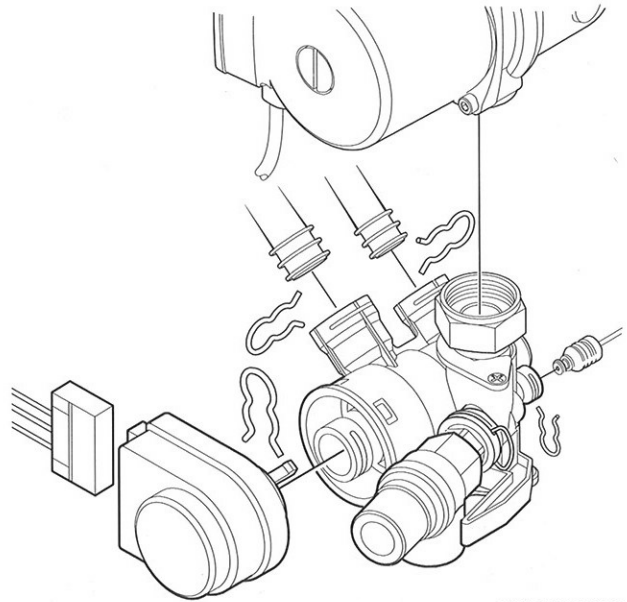


Fig. 58

**9.3.4 3-way diverter valve**

- ▶ Switch off the appliance.
- ▶ Disconnect appliance from the power supply.
- ▶ Turn off service cocks.
- ▶ Unplug connector from 3-way valve motor. Refer to fig. 59.
- ▶ Pull out retaining clip.
- ▶ Remove motor.
- ▶ Disconnect the relief valve drain.
- ▶ Disconnect the pressure gauge by withdrawing the clip and pulling out the capillary head.
- ▶ Undo pipe unions by withdrawing the clips.

- ▶ Remove 3-way valve.



7 181 465 330-12.1R

Fig. 59

After refitting:

- ▶ Fill system, bleed and re-pressurise (see Installation Instructions).

**9.3.5 3-way diverter valve motor**

- ▶ Switch off the appliance.
- ▶ Turn off the service cocks.
- ▶ Unplug connector from 3-way valve motor. Refer to fig. 59.
- ▶ Pull out retaining clip.
- ▶ Remove motor.

**9.3.6 Sensors**

- ▶ Check that the appliance is electrically isolated.

**Central Heating Flow Temperature Sensor – Item 36, fig. 2, 55**

- ▶ Pull-off the connector.
- ▶ Release the sensor clip and withdraw the sensor.
- ▶ Apply heat transfer paste to the replacement sensor.

**Safety Temperature Limiter – Item 6, fig. 2, 55**

- ▶ Pull-off the connectors.
- ▶ Unscrew the sensor.

**Flue Temperature Limiter – Item 9, fig. 2, 55**

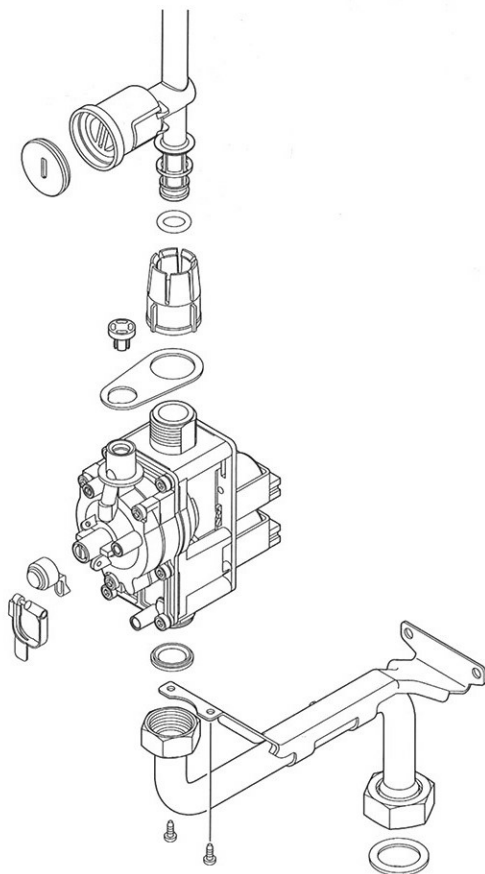
- ▶ Pull-off the connectors.
- ▶ Unscrew the sensor.

### Domestic Hot Water Temperature Sensor – Item 6.1, fig. 2

- ▶ Check that the inlet water valve is closed and the domestic hot water circuit is drained.
- ▶ Release and pull-off the connector.
- ▶ Unscrew the sensor.

### 9.3.7 Gas Valve

- ▶ Check that the gas cock is turned off.
- ▶ Lower the control panel. Refer to fig. 58.
- ▶ Pull off the solenoid connections at the rear of the valve.
- ▶ Undo the union, within the inner casing, securing the valve to the gas/air tube. Refer to fig. 57.
- ▶ Remove the white plastic cap from the gas valve.
- ▶ Release the gas inlet union at the manifold assembly.
- ▶ Unscrew the two screws securing the gas valve assembly bracket to the back panel and withdraw the assembly.
- ▶ Transfer the bracket and inlet pipe assembly to the new gas valve.
- ▶ Check for gas soundness when the new gas valve has been fitted.
- ▶ Recheck the combustion performance as described in section 8.1.



6 720 610 602 - 04.10

Fig. 60

### 9.3.8 Domestic Hot Water Heat Exchanger

- ▶ Refer to section 9.2.
- ▶ Use new seals when fitting the new heat exchanger.

### 9.3.9 Electrode assembly

- ▶ Refer to section 9.2.
- ▶ Use a new seal if the existing seal is damaged.

### 9.3.10 Pressure gauge

- ▶ Drain the appliance.
- ▶ Lower the fascia. Refer to fig. 58.
- ▶ Twist the pressure gauge head anti-clockwise to release it from the casing. Refer to fig. 2.
- ▶ Disconnect the capillary head from the rear of the diverter valve by withdrawing the clip and pulling out the head. Refer to fig. 59.

### 9.3.11 Expansion vessel

- ▶ Drain the appliance.
- ▶ Undo the union connection at the base of the vessel. Refer to fig. 2.
- ▶ Unscrew the top and bottom fixing screws and remove the vessel.
- ▶ Set the pressure of the new vessel to that required by the system.

### 9.3.12 Pressure Relief Valve

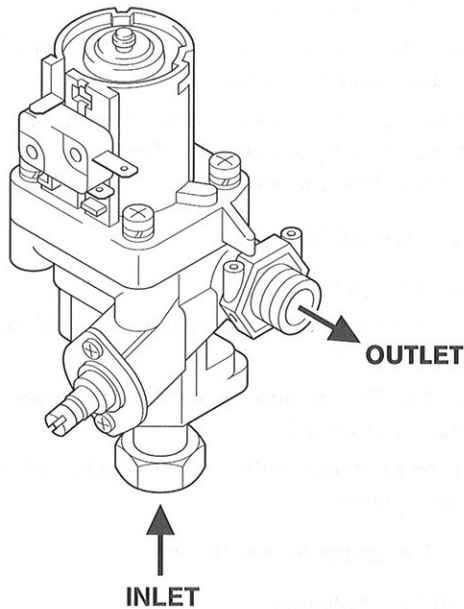
- ▶ Drain the appliance.
- ▶ Disconnect the drain pipe from the valve. Refer to fig. 30.
- ▶ Pull-out the clip securing the valve.
- ▶ Pull-out the valve.
- ▶ Ensure that the replacement valve is fully entered before fitting the clip.

### 9.3.13 Burner

- ▶ Refer to section 9.2.

### 9.3.14 Flow switch

- ▶ Shut the mains water inlet valve and drain the domestic hot water circuit.
- ▶ Pull-off the connectors from the micro-switch.
- ▶ Unscrew the inlet and union connection and remove the assembly.
- ▶ Reset the domestic hot water flow rate on the new assembly.



6 720 610 602 - 05.10

Fig. 61

### 9.3.15 Primary Heat Exchanger

- ▶ Drain the appliance.
- ▶ Check that the gas supply is turned off.
- ▶ Check that the appliance is electrically isolated.
- ▶ Remove the fan assembly complete with the gas/air tube and mixer assembly. Refer to section 9.3.2.
- ▶ Remove the burner. Refer to section 9.2.
- ▶ Disconnect the sensors. Refer to section 9.3.6.
- ▶ Undo the central heating flow union.
- ▶ Undo the top connection of the pump. Refer to fig. 57.
- ▶ Undo the grey plastic cap, next to the top pump connection at the base of the heat exchanger.
- ▶ Unscrew and remove the condensate trap. Refer to section 9.2.
- ▶ Unscrew and remove the two screws securing the heat exchanger top bracket to the rear panel.
- ▶ Lift up the flue duct, item 271, refer to fig. 2.
- ▶ Pull forward from the top and lift the heat exchanger from the casing.

- ▶ Transfer components, as necessary, to the new heat exchanger.
- ▶ Ensure that all the seals are in place and all of the connections are tight before re-commissioning the appliance.

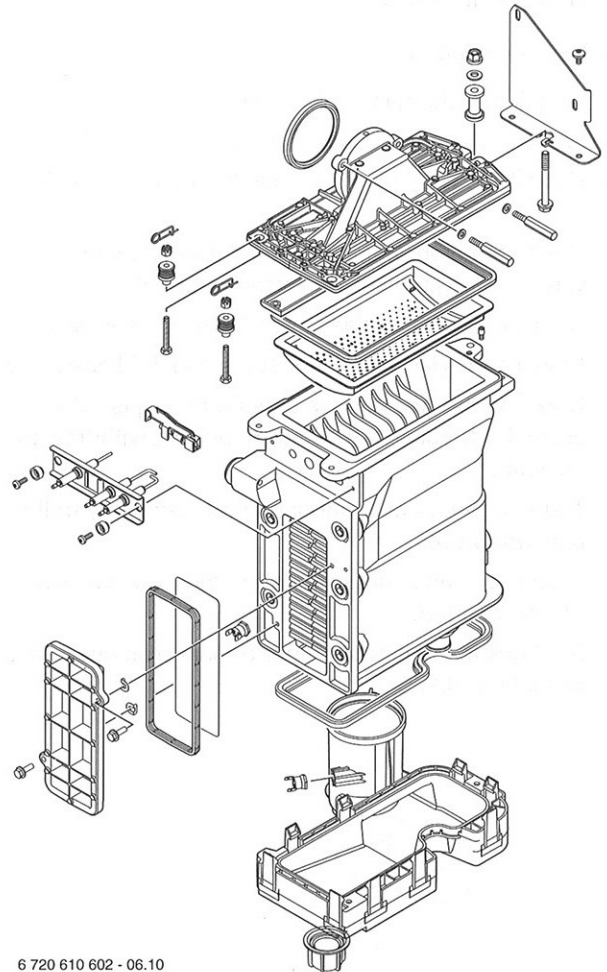


Fig. 62

## 10 Appendix

### 10.1 Fault Codes

More detailed fault finding procedures are described in the Service Booklet for the Engineer number 7 181 465 347.

Display code	Description	Remedy
<b>A1</b>	pump has run dry	Check system pressure, add water and bleed system as necessary
<b>A7</b>	Hot water NTC sensor defective.	Check hot water NTC sensor and connecting lead for circuit breaks/short circuits.
<b>A8</b>	Break in communication	Check connecting lead to TR2
<b>b1</b>	Keyed plug not detected.	Insert keyed plug correctly, test and replace if necessary.
<b>C1</b>	Fan speed too low.	Check fan lead and connector, and fan; replace as necessary.
<b>d3</b>	Jumper 8-9 not detected.	Connector not connected, link missing, underfloor heating limiter tripped.
<b>E2</b>	CH flow NTC sensor defective	Check CH flow NTC sensor and connecting lead.
<b>E9</b>	Safety temp. limiter in CH flow has tripped.	Check system pressure, check safety temp. limiters, check pump operation, check fuse on pcb, bleed appliance.
<b>EA</b>	Flame not detected.	Is gas cock turned on? Check gas supply pressure, power supply, igniter electrode and lead, ionisation sensing electrode and lead, flue duct and CO2 level.
<b>F0</b>	Internal error.	Check electrical connector contacts, programmer interface module ignition leads and bus module are not loose; replace pcb or bus module if necessary.
<b>F7</b>	Flame detected even though appliance switched off.	Check electrode assembly, dry pcb. Flue clear?
<b>FA</b>	Flame detected after gas shut off.	Check gas valve and wiring to gas valve. Clean condensation trap and check electrode assembly. Flue clear?
<b>FC</b>	Textdisplay not detected.	Check connecting lead between Textdisplay and Heatronic , replace Textdisplay if necessary
<b>Fd</b>	Reset button pressed by mistake.	Press reset button again
<b>P1, P2, P3, P1...</b>	Please wait, initialisation in progress.	24 V fuse blown. Replace fuse.

Table 18

## 10.2 Short parts list

Key	Description	Qty GC	Spare part number
1	Sensor - Flue gas temp.	1	8 729 000 144 0
2	Sensor - CH flow temp.	1	8 714 500 087 0
3	Sensor - DHW flow temp.	1	8 714 500 054 0
4	Control board	1	8 748 300 418 0
5	Gas valve ZWBR 7-30	1	8 747 003 516 0
5.1	Gas valve ZWBR 11-35	1	8 747 003 515 0
6	Fan assembly ZWBR 7-30	1	8 717 204 373 0
6.1	Fan assembly ZWBR 11-35	1	8 717 204 325 0
7	Fan washer	1	8 729 000 183 0
8	Expansion vessel ZWBR 7-30	1	8 715 407 230 0
8.1	Expansion vessel ZWBR 11-35	1	8 715 407 246 0
9	Relief valve	1	8 717 401 012 0
10	Electrode assembly	1	8 718 107 077 0
11	Electrode lead	1	8 714 401 999 0
12	Pump	1	8 717 204 350 0
13	Pressure gauge	1	8 717 208 079 0
14	Burner skin seal	1	8 711 004 168 0
15	Transformer - facia	1	8 747 201 358 0
16	Flow switch	1	8 717 002 110 0
17	3-way diverter valve	1	8 717 010 062 0
18	Heat exchanger washer	1	8 710 103 153 0
19	Washerset Condensation Trap	1	8 710 103 154 0
20	Fuseset	1	8 744 503 010 0
21	Serviciset Water Valve	1	8 710 503 031 0
22	Domestic Hot Water Heat Exchanger	1	8 715 406 659 0
23	Textdisplay	1	8 747 208 103 0
24	Primary heat exchanger	1	8 715 406 615 0
25	Diaphragm	1	8 715 505 801 0

Table 19



### 10.3 Heating/hot water output settings ZWBR 7-30 N.G.

Display code	Heat output, kW	Heat input, kW	Natural gas G20
			Gas vol. flow rate (l/min at $t_V/t_R = 80/60^\circ\text{C}$ )
30	8.8	8.9	15.5
40	11.7	11.8	20.7
50	14.6	14.8	25.8
60	17.5	17.7	31.0
70	20.4	20.7	36.1
80	23.4	23.6	41.3
90	26.3	26.6	46.5
100	29.2	29.5	51.6

Table 20

### 10.4 Heating/hot water output settings ZWBR 11-30 L.P.G

Display code	Propane	
	Heat output, kW	Heat input, kW
40	11.7	11.8
50	14.6	14.8
60	17.5	17.7
70	20.4	20.7
80	23.4	23.6
90	26.3	26.6
100	29.2	29.5

Table 21

### 10.5 Heating/hot water output settings ZWBR 11-35 N.G.

Display code	Heat output, kW	Heat input, kW	Natural gas G20
			Gas vol. flow rate (l/min at $t_V/t_R = 80/60^\circ\text{C}$ )
30	10.5	10.7	18.6
40	14.1	14.2	24.9
50	17.6	17.8	31.1
60	21.1	21.3	37.3
70	24.6	24.9	43.5
80	28.1	28.4	49.7
90	31.6	32.0	55.9
100	35.1	35.5	62.1

Table 22

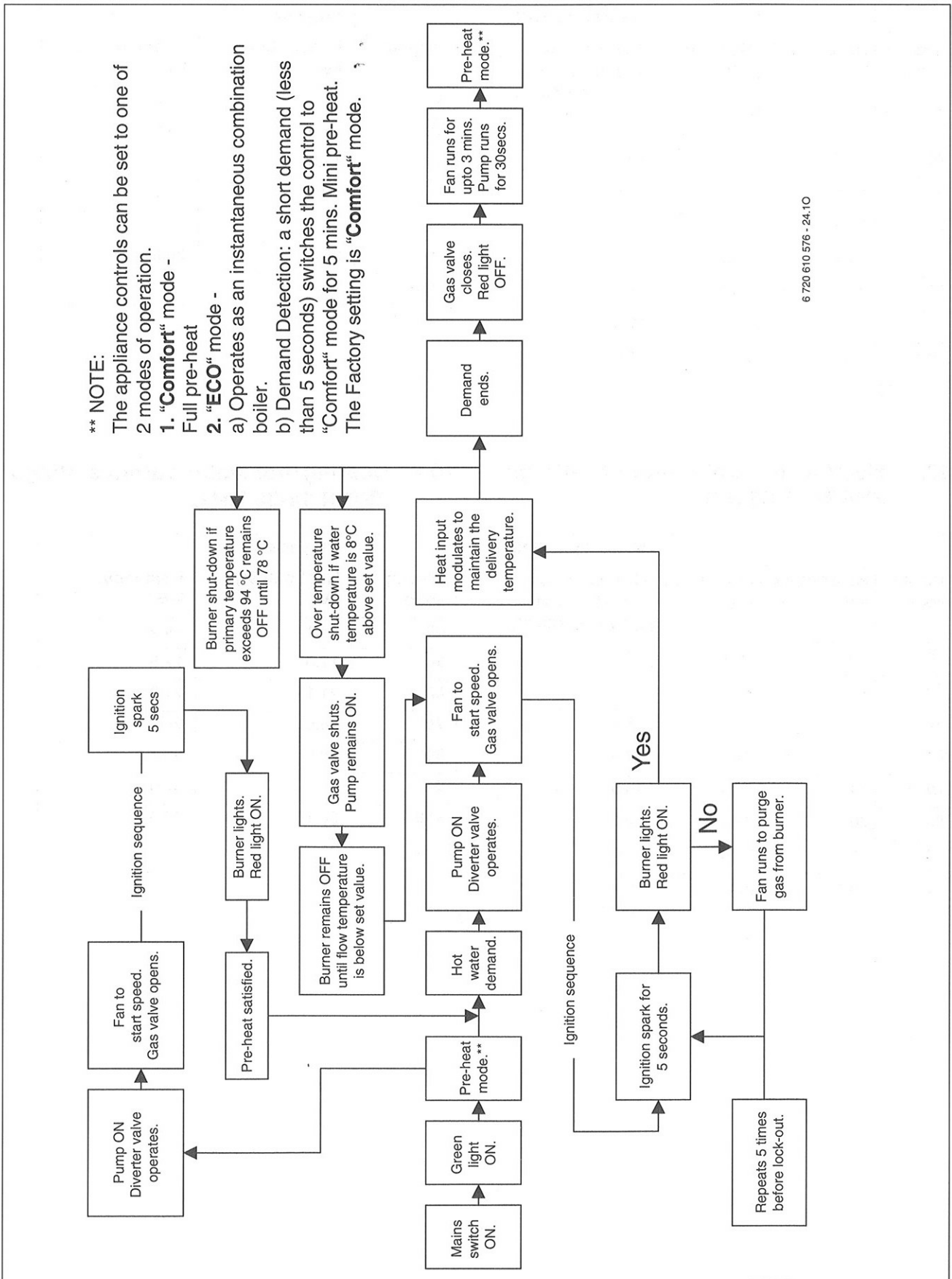
### 10.6 Heating/hot water output settings ZWBR 14-35 L.P.G

Display code	Propane	
	Heat output, kW	Heat input, kW
40	14.1	14.2
50	17.6	17.8
60	21.1	21.3
70	24.6	24.9
80	28.1	28.4
90	31.6	32.0
100	35.1	35.5

Table 23

## 10.7 Operational Flow diagrams

### 10.7.1 Domestic hot water function



6 720 610 576 - 24.10

Fig. 63

10.7.2 Central heating function

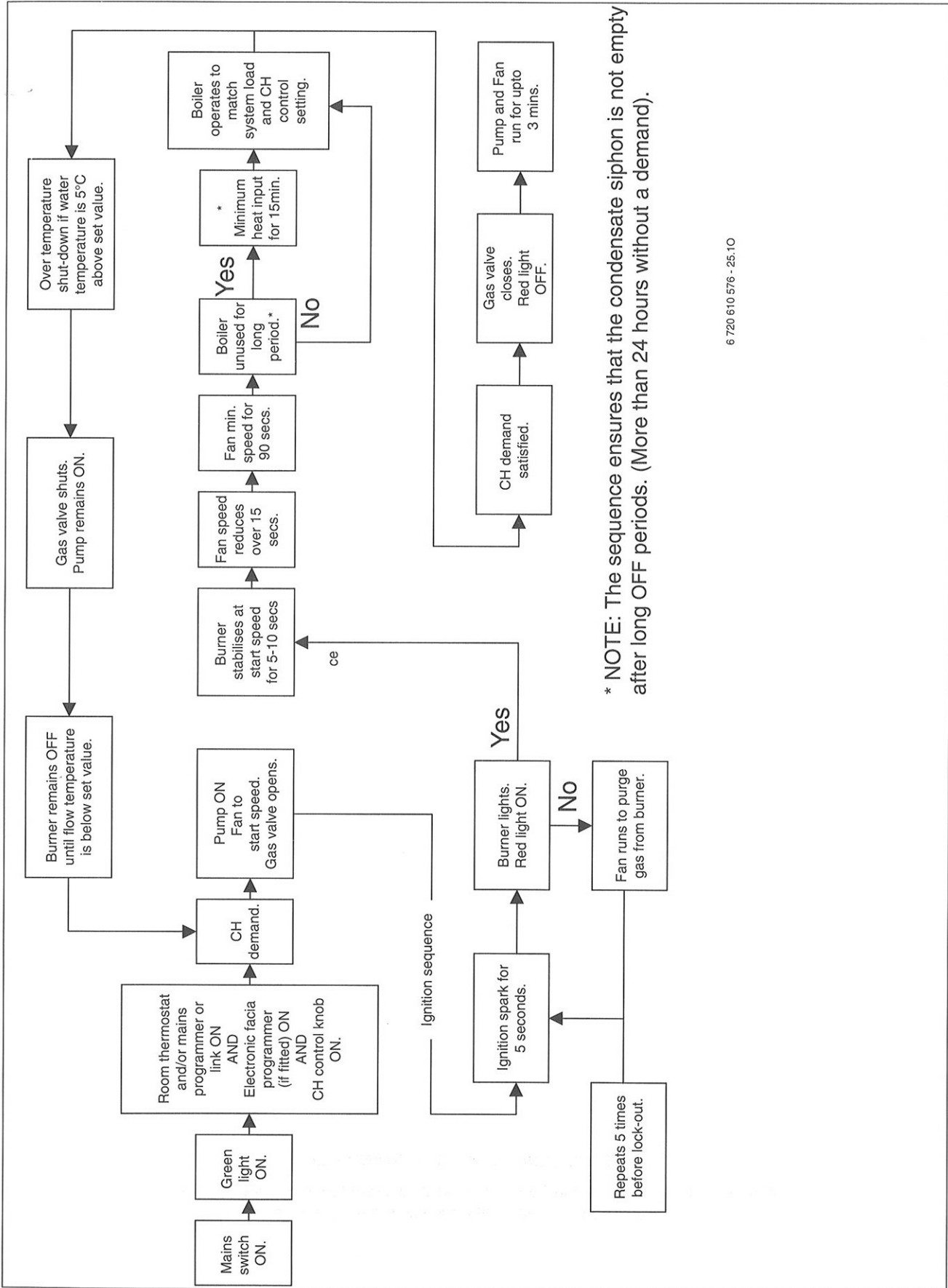


Fig. 64

**EXCELLENCE COMES AS STANDARD**

**Worcester Heat Systems Limited, Cotswold Way, Warndon, Worcester WR4 9SW.  
Telephone: (01905) 754624 Fax: (01905) 754619**